



Manufacturer

Customer

VEM motors Thurm GmbH
Äußere Dresdener Str. 35

08066 ZWICKAU
Deutschland

Three-phase motors with squirrel cage rotor,
Housing grey cast iron

Type	IE3-W41R 80 G4		
Design output	(kW)	0,75	
Design torque	(Nm)	4,96	
Class IE	(-)	IE3-82,5%	
Efficiency determination		EN 60034-2-1	
Duty type		S1	
Design frequency	(Hz)	50	
Design speed	[rpm]	1445	
Voltage	(V)	230/400	
Connection	(-)	D	Y
Current	(A)	3.0	1.7
Relative pull-in current	(-)	7	
Relative starting torque	(-)	3,1	
Relative pull-out torque	(-)	3,7	
Efficiency100/75/50 %	(%)		82,5 / 82,3 / 79,6
Power factor	(-)	0,77	
Th. cl.		155(F/B)	
Coolant temperature	(°C)	40°C	
Altitude above sea level	(m)	1000m	
Degree of protection IP		IP55	
Moment of inertia	(kgm ²)	0,0026	
Motor weight	(kg)	17	
Bearing, D-side		6205 2Z C3	
Bearing, N-side		6205 2Z C3	
Relubrication interval	(h)		
Grease type		Asonic GLY 32	
Grease amount	(g)		
A-sound pressure level	(dB)	a.A.	

Standards and regulations

IEC / EN 60034-1

Options

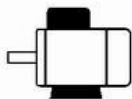
Type of mounting	IM B3
Flange:	-
Terminal box	Standard
Position of terminal box	on the top
Cable gland	Sealing plug
Position of cable entry	right
Shaft	Standard
Special details to bearings	none
Bearing monitoring	none
Anti-condensation heating	none
Limit values to vibration velocity	Class A
	Balancing with half key
Colour system	01 Moderate (KK C2),RAL 7031 blue-grey,60 µm

This document was produced electronically, all specifications are valid only after confirmation of the manufacturer

Three-phase motors with squirrel cage rotor,
Housing grey cast iron

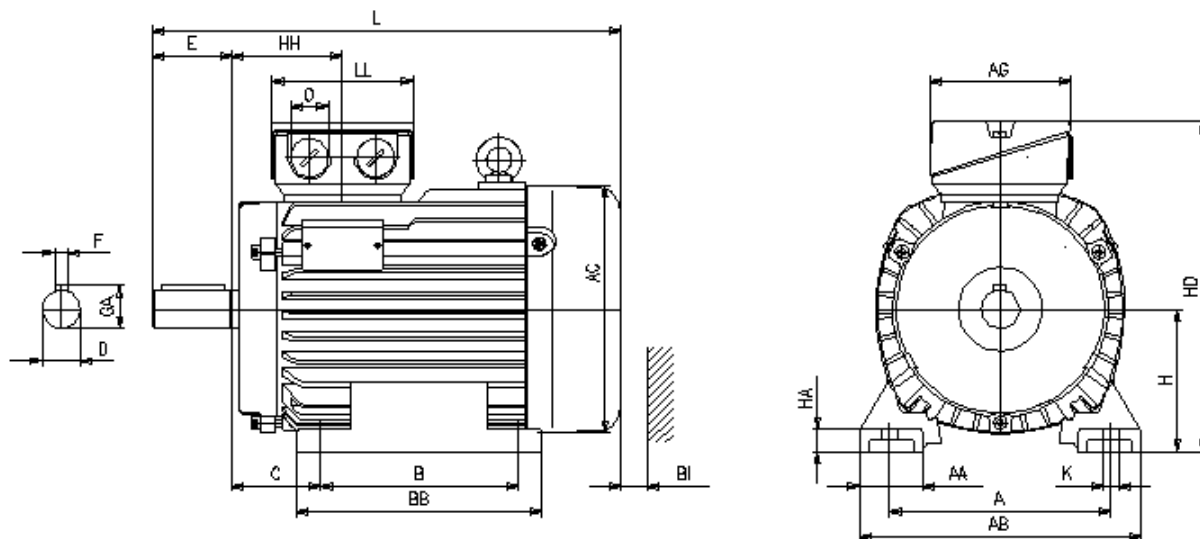
IE3-W41R 80 G4

Mounting position



Type of mounting: IM B3
Flange: -
Position of terminal box: on the top
Brake type:
Forced-ventilation:

Terminal box: KA 05
Cable gland O: 1 xSealing plug



Motor

A	AA	AB	AC	AD	B	B'	BA	BA'	BB	C	CA	K	K'
125	26	152	157	-	100	-	-	-	147	50	-	10	10

Terminal box

L	LC	H	HA	HD	HH	BI	AG	LL	BE	AH
287	-	80	9	200	70	16	92	92	-	-

Flange

P	N	LA	M	T	S
-	-	-	-	-	-

Tolerances

H	N	D	DA
-0,5	j6	k6	k6

Shaft-DS

D	E	GA	F	DB
19	40	21,5	6	DIN 332 DS- M6-

Shaft-NS

DA	EA	GC	FA
-	-	-	-

DB...Centre hole

Delivery conditions and/or official regulations: IEC / EN 60034-1

This document was produced electronically, all specifications are valid only after confirmation of the manufacturer