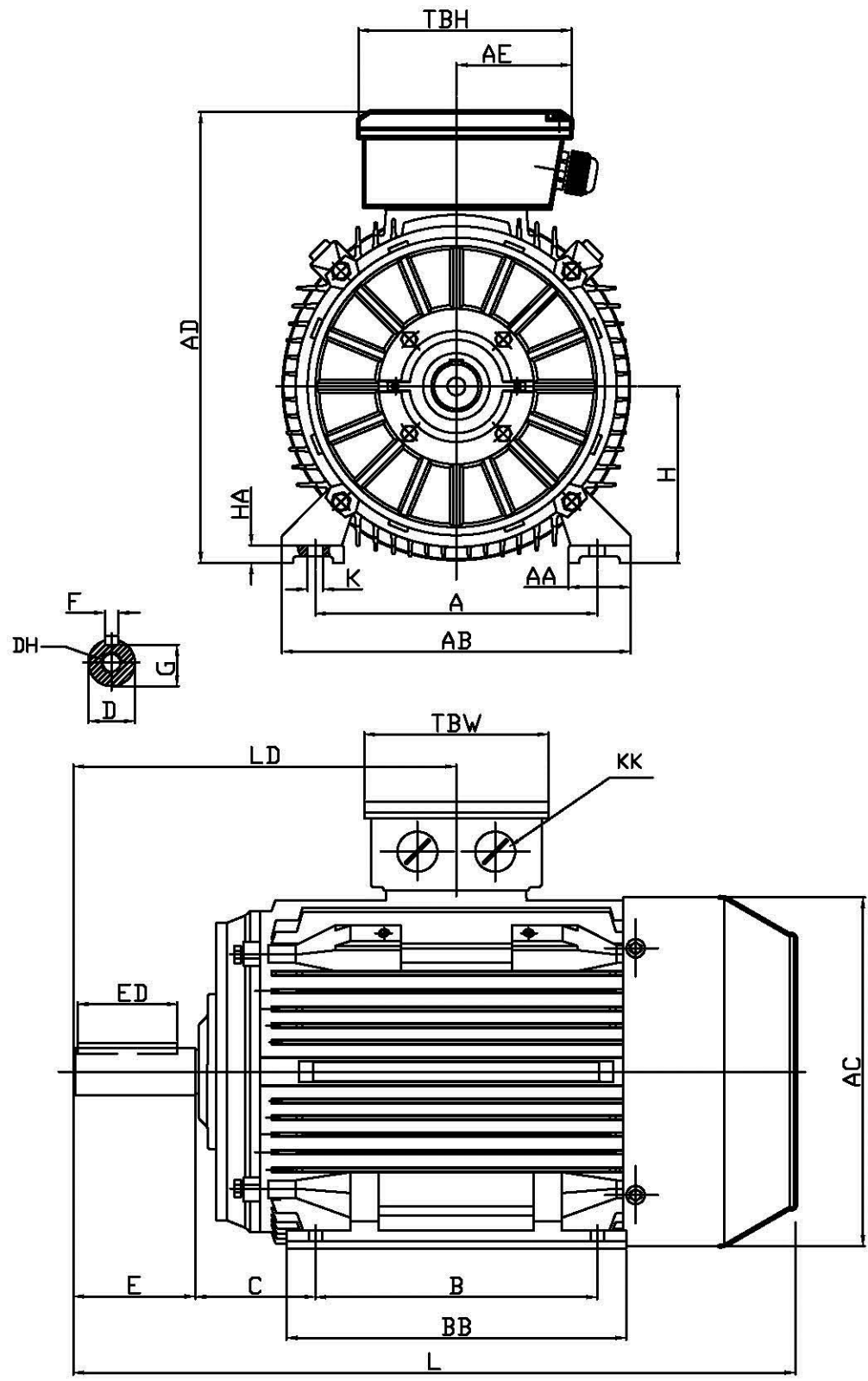


DIMENSIONS	
A	356
AA	80
AB	436
AC	465
AD	560
AE	116.5
B	311
BB	386
C	149 ±3.0
H	225 ⁰ _{-0.5}
HA	28
TBH	233
TBW	186
LD	435
KK	2-M50
K	19 ^{+0.430} ₀
L	839
E	140 ±0.43
ED	110
F	18 ⁰ _{-0.043}
DH	C20 × 42
G	53 ⁰ _{-0.20}
D	60 ^{+0.030} _{+0.011}



DIMENSION OUTLINE	DRAWN	ELECTRAMO®
225M-4/6/8P B3	DATE	
	CHK	
	APPD	
	REV	

DIMENSIONS

AC 465
AE 116.5

TBH 233

TBW 186

LD 435

KK 2-M50

K $19^{+0.430}_0$

L 839

E 140 ± 0.43

ED 110

F $18^{0}_{-0.043}$

DH C20 x 42

G $53^{0}_{-0.20}$

D $60^{+0.030}_{+0.011}$

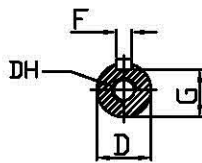
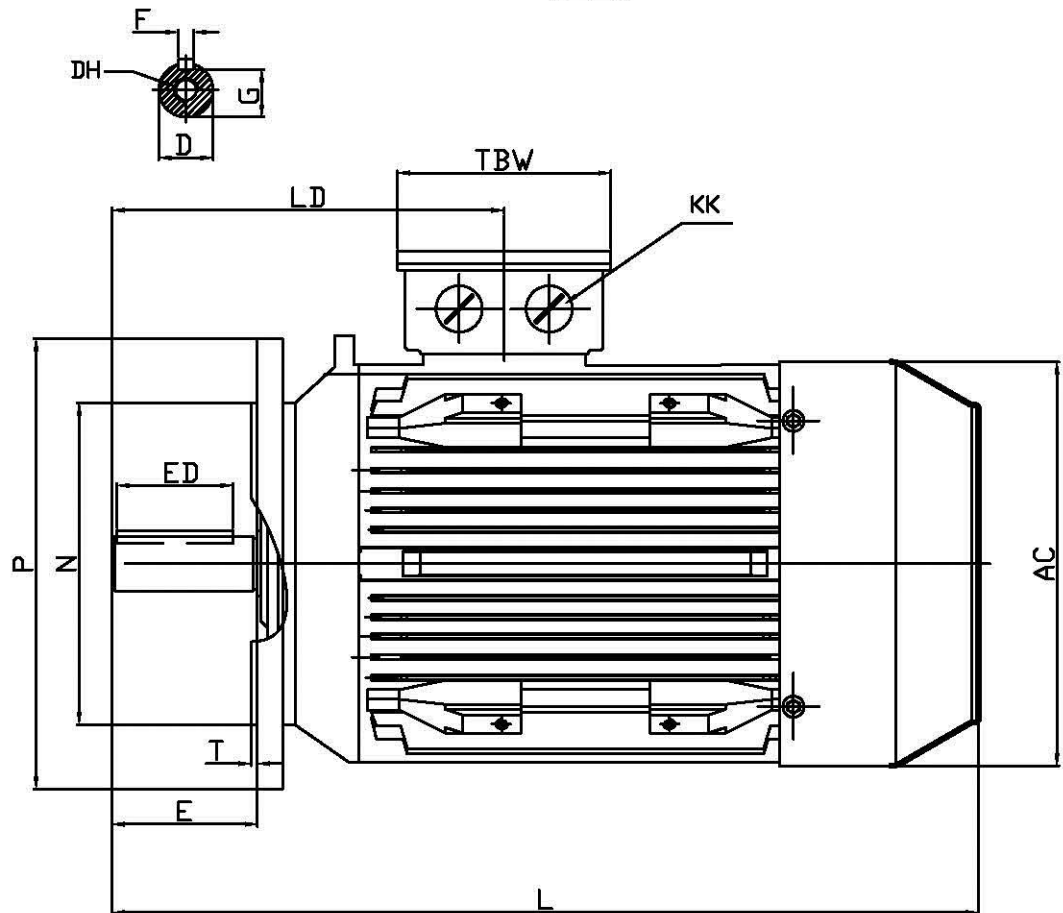
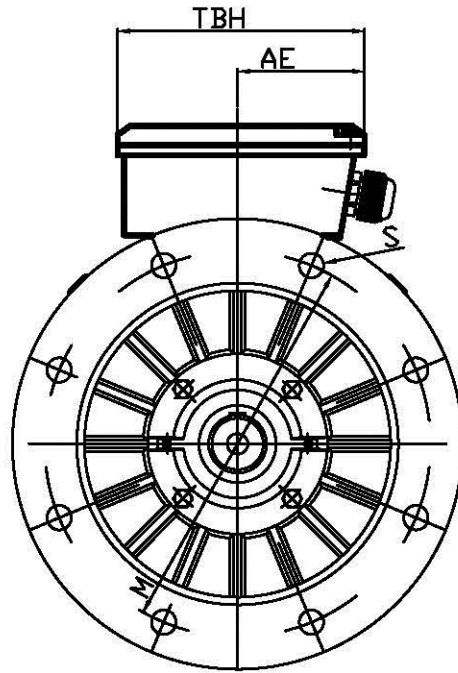
M 400

S 8-19

T 5

N 350

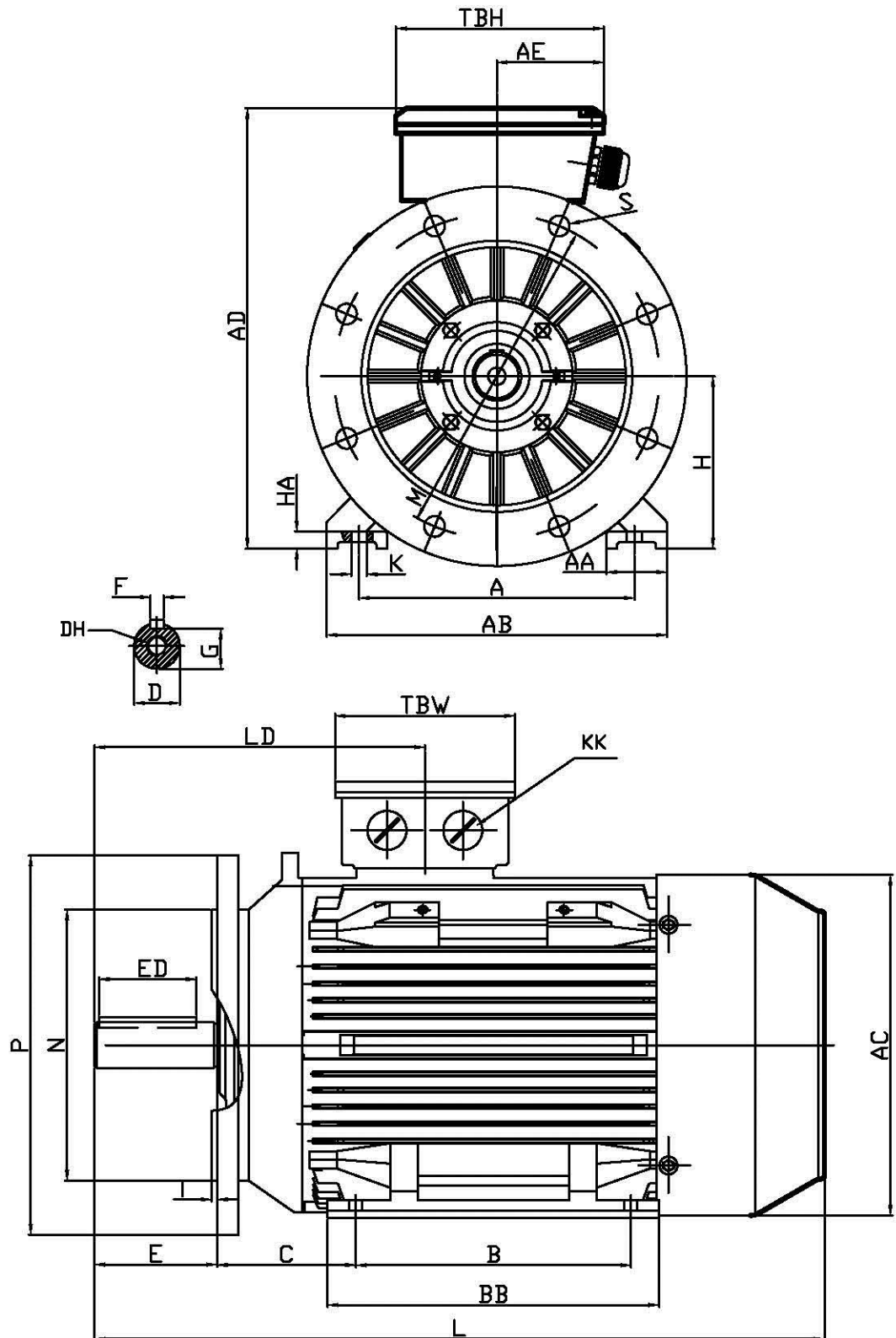
P 450



DIMENSION	OUTLINE	DRAWN		
225M-4/6/8P	B5	DATE		
		CHK		
		APPD		
			REV	

DIMENSIONS

A	356
AA	80
AB	436
AC	465
AD	560
AE	116.5
B	311
BB	386
C	149
H	225 ⁰ _{-0.5}
HA	28 ±3.0
TBH	233
TBW	186
LD	435
KK	2-M50
K	19 ^{+0.430} ₀
L	839
E	140 ±0.43
ED	110
F	18 ⁰ _{-0.043}
DH	C20 × 42
G	53 ⁰ _{-0.20}
D	60 ^{+0.030} _{+0.011}
M	400
S	8-19
T	5
N	350
P	450



DIMENSION OUTLINE	DRAWN		
225M-4/6/8P B35	DATE		
	CHK		
	APPD		
		REV	