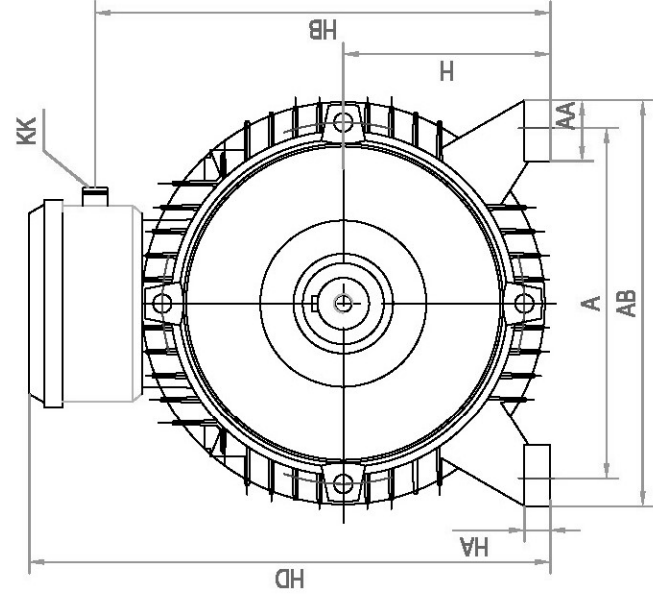
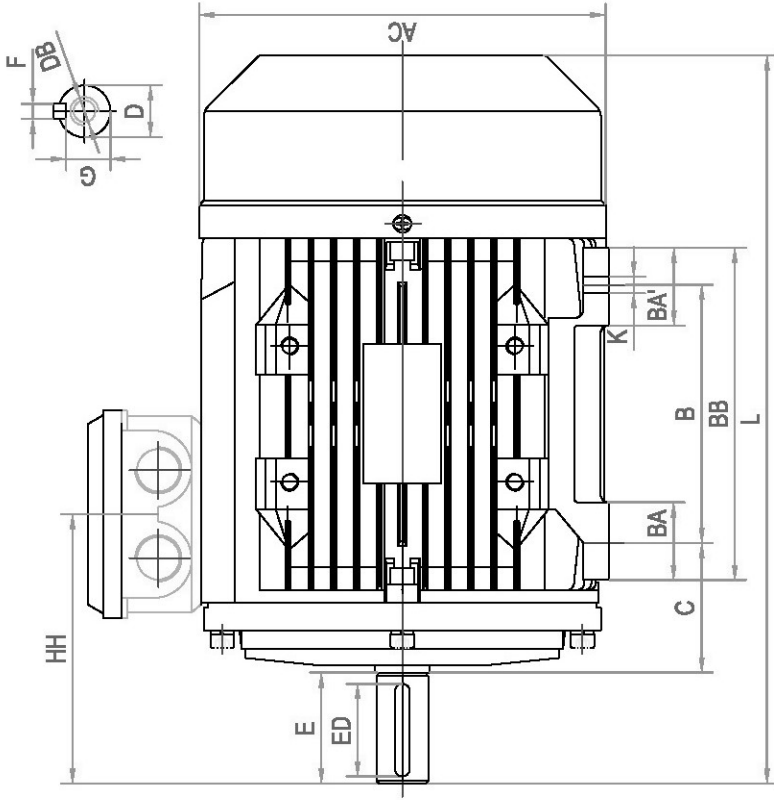


CLIENT:	FRAME	112	KW	
	VOLTS			
MS112M-2		4		
MS112L-2		5.5		
MS112M1-4		4		
MS112L-4		5.5		
MS112M-6		2.2		
MS112M-8		1.5		
EMS112M-2		4		
EMS112M2-2		5.5		
EMS112M-4		4		
EMS112M2-4	RPM	5.5		
EMS112M-6		2.2		



FOOT-OR-FLANGE-MOUNTING

SHAFT EXT. DE ONLY

WEIGHT(kg)

A	AA	AB	AC	B	BA	BA'	BB	C	H	HA	HB	HD	HH	K	KK	L	D	DB	E	ED	F	G																													
190	55	220	Ø230	140	42	42	180	70	112	14	247.5	286	148	12X16	2-M25X1.5	400	Ø28	M10X22	60	50	8	24																													

CUSTOMER APPROVAL

SIGNATURE

DATE

112 B3

DIMENSION OUTLINE

ELECTRAMO®

DATE		CHECKED BY	
DESIGNED BY		APPROVED BY	
ISSUE	DATE	CERTIFIED BY	
ISSUE	DATE	CERTIFIED BY	
ISSUE	DATE	CERTIFIED BY	
ISSUE	DATE	CERTIFIED BY	