

CLIENT:	FRAME	KW	RPM
	VOLTS		

OUTLINE DIMENSIONS FOOT MOUNTED MOTORS

SHAFT EXT.DE ONLY

WEIGHT

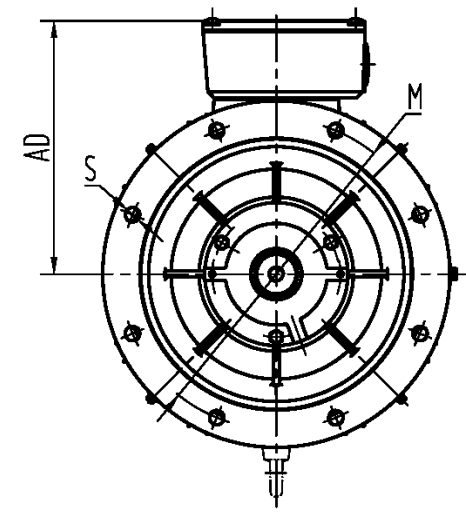
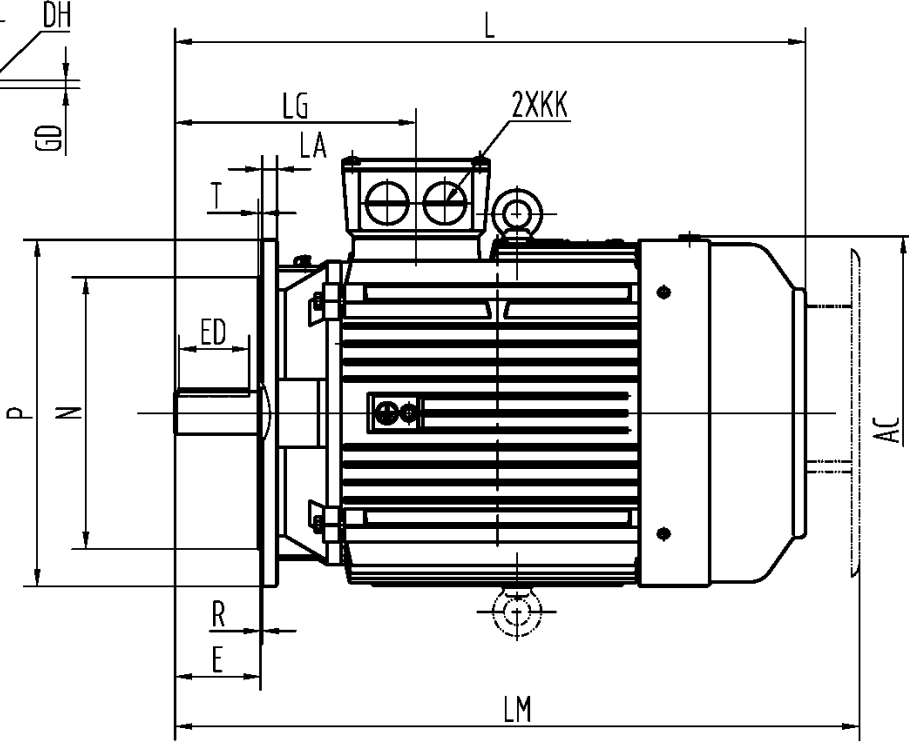
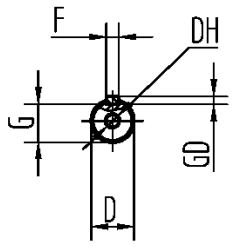
A	AA	AB	AC			B	BB	C	H		HA	HD	K	KK	L	LG		D	DH	E	ED	F	G	GD	
356	75	436	465			311	380	149	225		28	560	18.5	M50X1.5	820	310		55	M20X4.2	110	90	16	49	10	

CUSTOMER APPROVAL _____
 SIGNATURE DATE

YX3-225M 2P (B3)
 DIMENSION OUTLINE



DATE	2005.12.5	CHK	
DRAWN		APPD	
ISSUE A	DATE	CERTIFIED BY	
ISSUE B	DATE	CERTIFIED BY	
ISSUE C	DATE	CERTIFIED BY	
ISSUE D	DATE	CERTIFIED BY	



CLIENT:		
FRAME	KW	RPM
VOLTS		

OUTLINE DIMENSIONS FLANGE MOUNTED MOTORS

SHAFT EXT.DE ONLY

WEIGHT

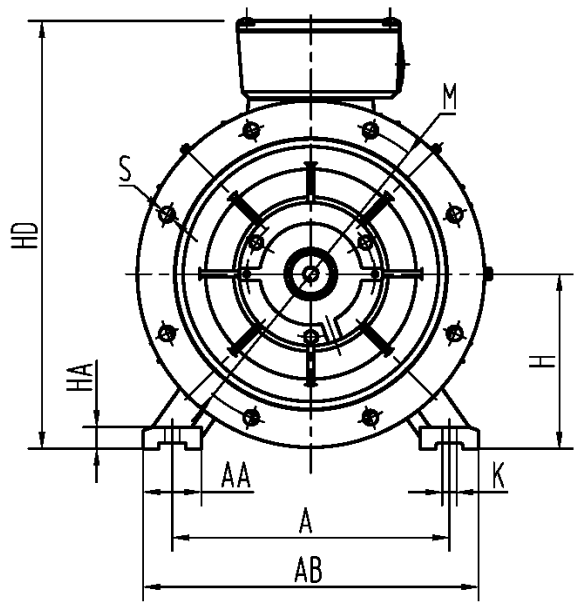
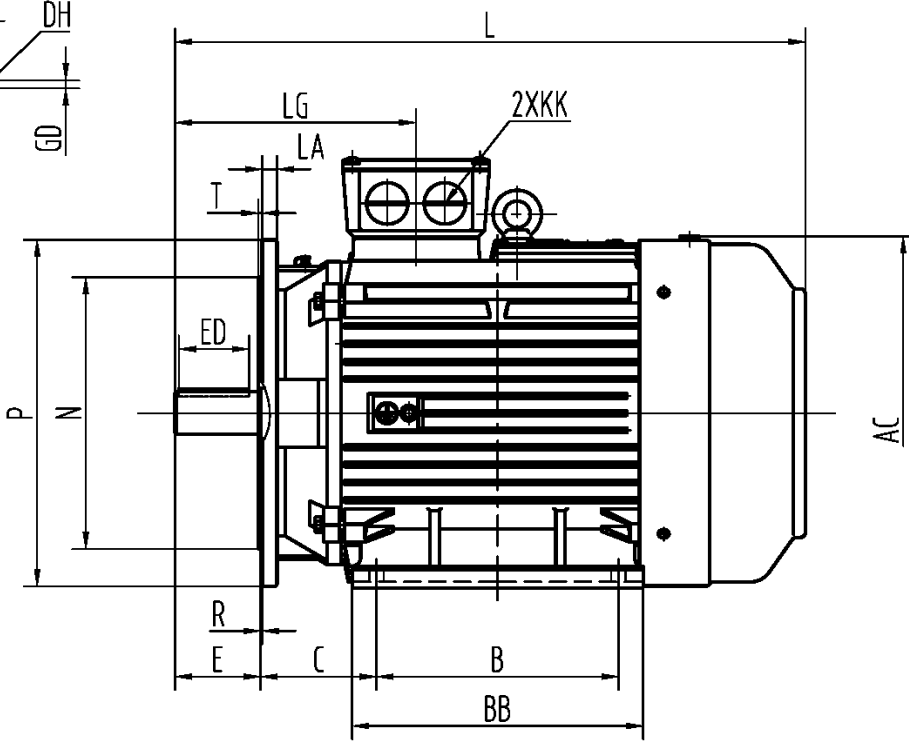
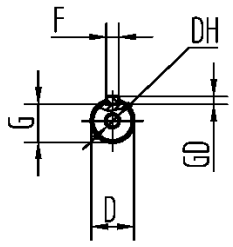
AC	AD			KK	L	LG			LA	M	N	P	R	S	T			D	DH	E	ED	F	G	GD
465	335			M50X1.5	820	310			20	400	350	450	0	18.5	5			55	M20X4.2	110	90	16	49	10

CUSTOMER APPROVAL _____
 SIGNATURE DATE

YX3-225M 2P (B5,V1)
 DIMENSION OUTLINE



DATE	2005.12.5	CHK	
DRAWN		APPD	
ISSUE A	DATE	CERTIFIED BY	
ISSUE B	DATE	CERTIFIED BY	
ISSUE C	DATE	CERTIFIED BY	
ISSUE D	DATE	CERTIFIED BY	



CLIENT:			
FRAME	KW	RPM	
VOLTS			

OUTLINE DIMENSIONS FOOT-FLANGE MOUNTED MOTORS

SHAFT EXT.DE ONLY

WEIGHT

A	AA	AB	AC			B	BB	C	H		HA	HD	K	KK	L	LG		D	DH	E	ED	F	G	GD	
356	75	436	465			311	380	149	225		28	560	18.5	M50X1.5	820	310		55	M20X4.2	110	90	16	49	10	

LA	M	N	P	R	S	T
20	400	350	450	0	18.5	5

CUSTOMER APPROVAL _____
 SIGNATURE _____ DATE _____

YX3-225M 2P (B35)
 DIMENSION OUTLINE



DATE	2005.12.5	CHK	
DRAWN		APPD	
ISSUE A	DATE	CERTIFIED BY	
ISSUE B	DATE	CERTIFIED BY	
ISSUE C	DATE	CERTIFIED BY	
ISSUE D	DATE	CERTIFIED BY	