

CLIENT:		
FRAME	KW	RPM
VOLTS		

OUTLINE DIMENSIONS FOOT MOUNTED MOTORS

SHAFT EXT.DE ONLY

WEIGHT

A	AA	AB	AC			B	BB	C	H		HA	HD	K	KK	L	LG		D	DH	E	ED	F	G	GD	
318	75	395	420			305	370	133	200		25	515	18.5	M50x1.5	760	300		55	M20X42	110	90	16	49	10	

CUSTOMER APPROVAL \_\_\_\_\_

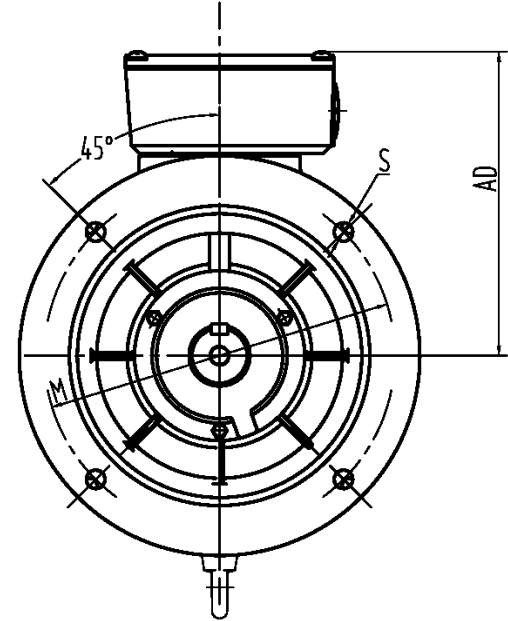
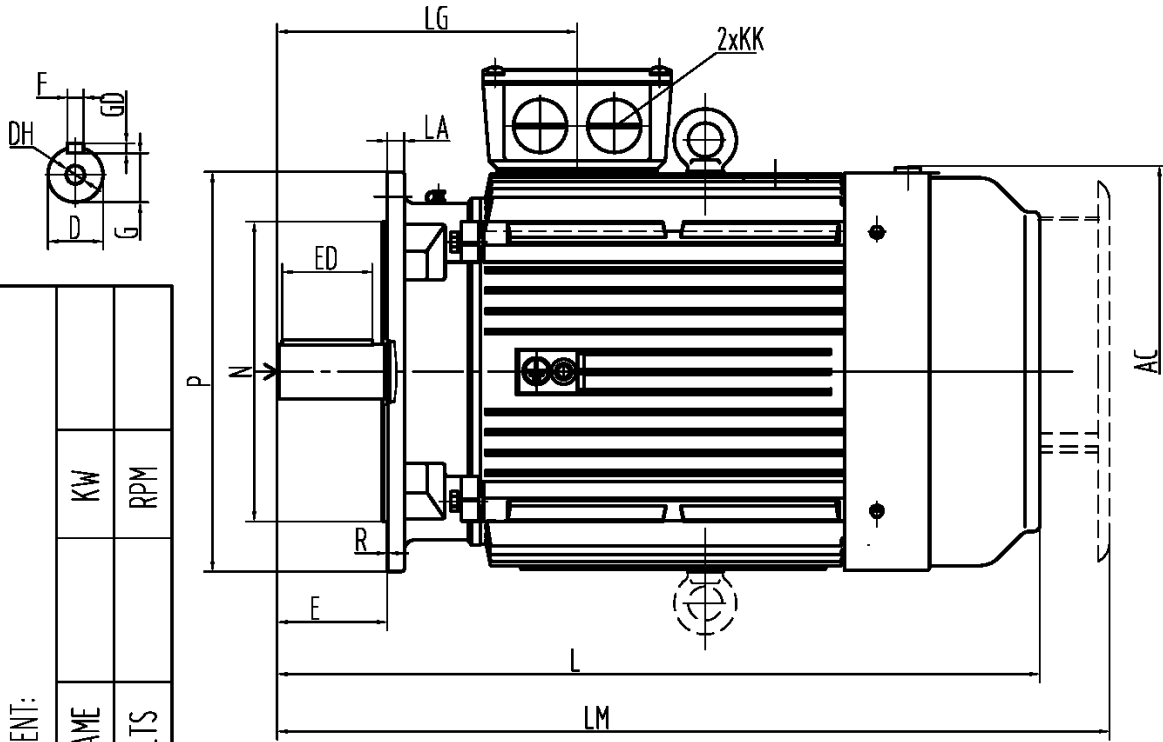
SIGNATURE

DATE

YX3-200 2-8P (B3)  
DIMENSION OUTLINE



DATE	2005.12.6	CHK	
DRAWN		APPD	
ISSUE A	DATE	CERTIFIED BY	
ISSUE B	DATE	CERTIFIED BY	
ISSUE C	DATE	CERTIFIED BY	
ISSUE D	DATE	CERTIFIED BY	



CLIENT:		
FRAME	KW	RPM
VOLTS		

OUTLINE DIMENSIONS FOOT MOUNTED MOTORS

SHAFT EXT.DE ONLY

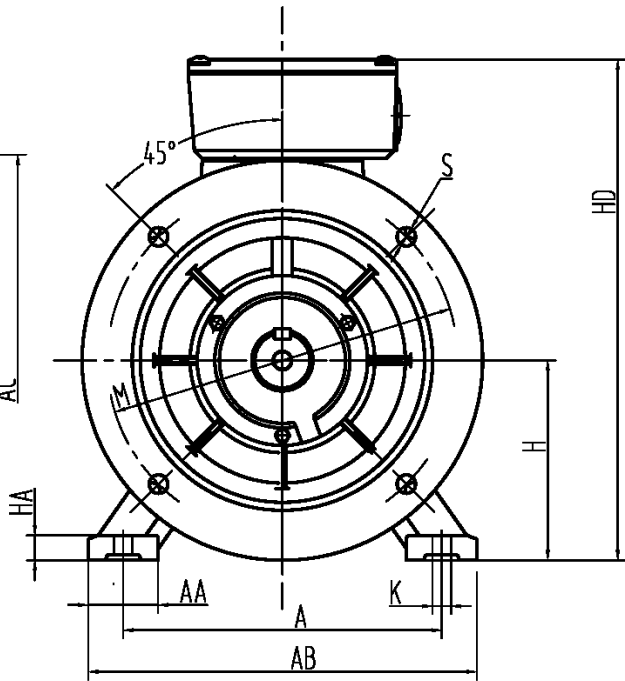
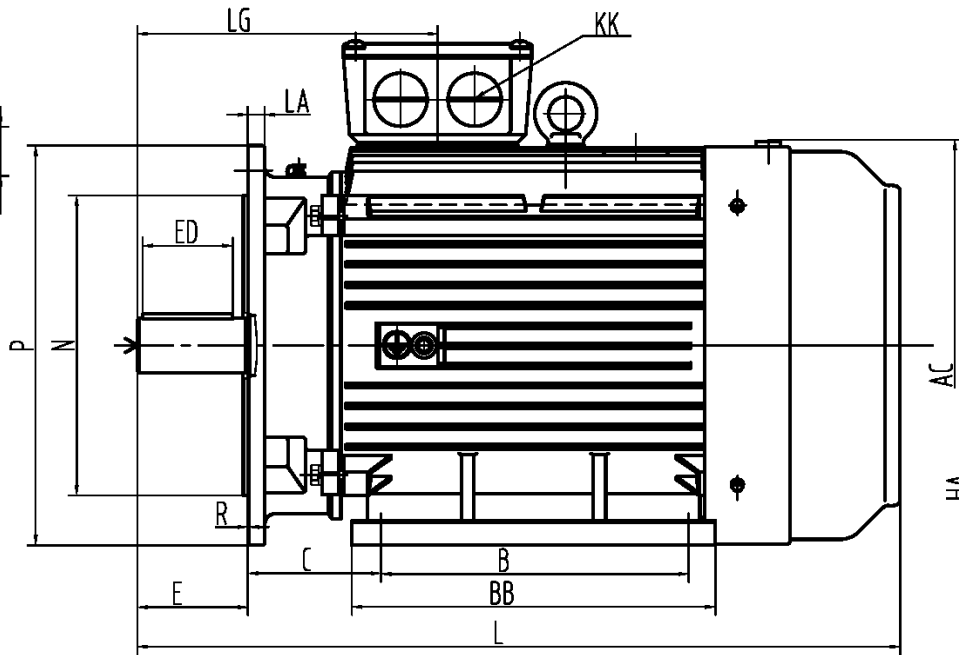
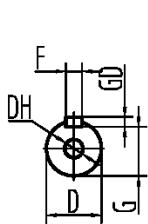
WEIGHT

AC	AD			KK	LG	L			LA	M	N	P	R	S	T			D	DH	E	ED	F	G	GD
420	315			M50x1.5	300	760			17	350	300	400	0	18.5	5			55	M20X42	110	90	16	49	10

CUSTOMER APPROVAL \_\_\_\_\_  
 SIGNATURE \_\_\_\_\_ DATE \_\_\_\_\_

YX3-200 2-8P (B5 V1)		DATE	2005.12.6	CHK	
DIMENSION OUTLINE		DRAWN		APPD	
ISSUE	A	DATE		CERTIFIED BY	
ISSUE	B	DATE		CERTIFIED BY	
ISSUE	C	DATE		CERTIFIED BY	
ISSUE	D	DATE		CERTIFIED BY	





CLIENT:	FRAME	KW	RPM
	VOLTS		

OUTLINE DIMENSIONS FOOT MOUNTED MOTORS

SHAFT EXT.DE ONLY

WEIGHT

A	AA	AB	AC			B	BB	C	H		HA	HD	LG	K	KK	L		D	DH	E	ED	F	G	GD
318	75	395	420			305	370	133	200		25	515	300	18.5	M50x1.5	760		55	M20X42	110	90	16	49	10

LA	M	N	P	R	S	T
17	350	300	400	0	18.5	5

CUSTOMER APPROVAL \_\_\_\_\_  
SIGNATURE DATE

YX3-200 2-8P (B35)

DIMENSION OUTLINE



DATE	2005.12.6	CHK	
DRAWN		APPD	
ISSUE A	DATE	CERTIFIED BY	
ISSUE B	DATE	CERTIFIED BY	
ISSUE C	DATE	CERTIFIED BY	
ISSUE D	DATE	CERTIFIED BY	