

CLIENT:	FRAME	KW	RPM
	VOLTS		

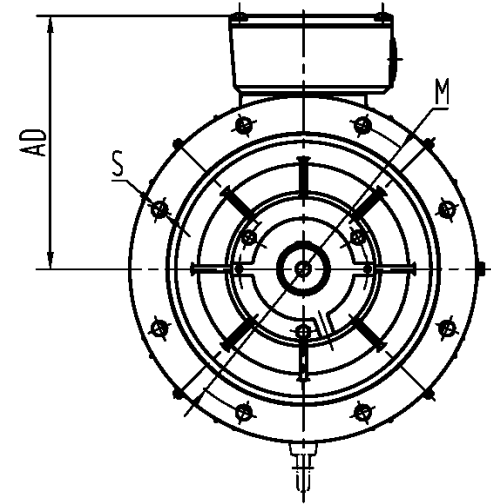
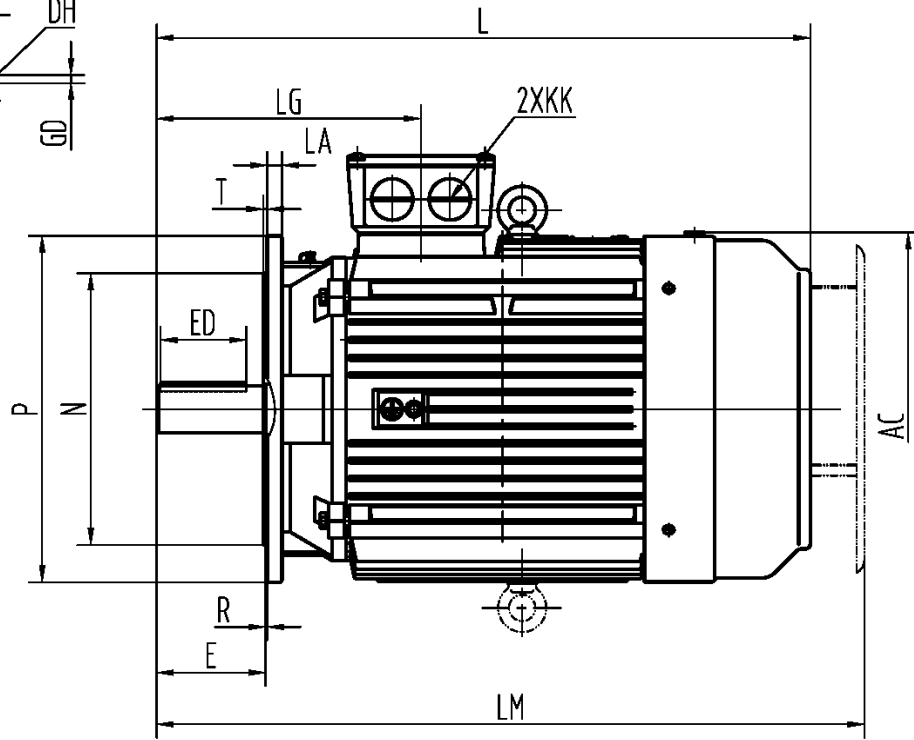
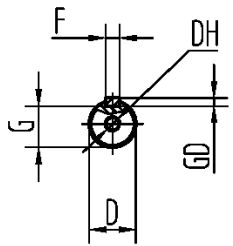
OUTLINE DIMENSIONS FOOT MOUNTED MOTORS

SHAFT EXT.DE ONLY

A	AA	AB	AC			B	BB	C	H		HA	HD	K	KK	L	LG	D	DH	E	ED	F	G	GD
356	75	436	465			286(225S)	311(225M)	355(225S)	380(225M)	14.9	225	28	560	18.5	M50X1.5	340	60	M20X4.2	14.0	110	18	53	11

CUSTOMER APPROVAL _____
SIGNATURE DATE

YX3-225 4-8P (B3) DIMENSION OUTLINE 	DATE	2005.12.5	CHK	
	DRAWN		APPD	
	ISSUE A	DATE	CERTIFIED BY	
	ISSUE B	DATE	CERTIFIED BY	
	ISSUE C	DATE	CERTIFIED BY	
	ISSUE D	DATE	CERTIFIED BY	



CLIENT:	FRAME	KW	RPM
	VOLTS		

OUTLINE DIMENSIONS FLANGE MOUNTED MOTORS

SHAFT EXT.DE ONLY

WEIGHT

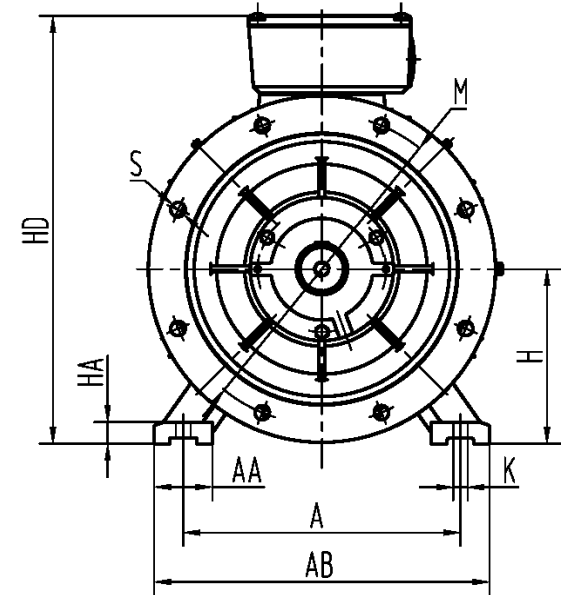
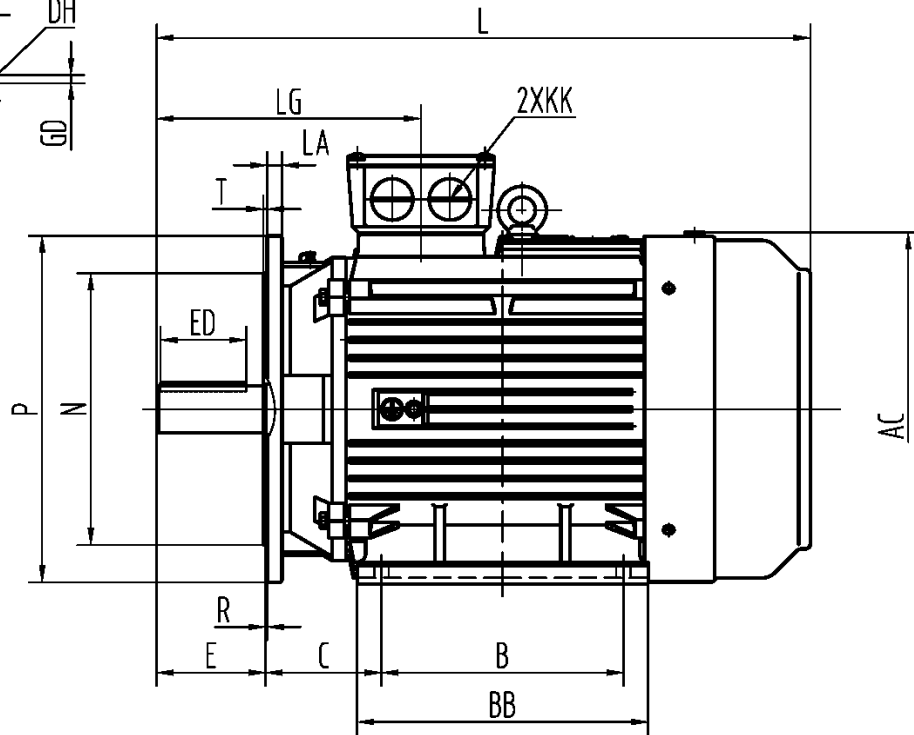
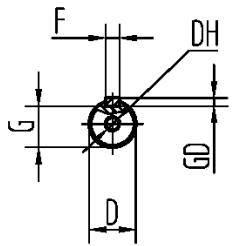
AC	AD		KK	L	LG			LA	M	N	P	R	S	T	D	DH	E	ED	F	G	GD	
465	335		M50X1.5	825(225S) 850(225M)	340			20	400	350	450	0	18.5	5	60	M20X42	140	110	18	53	11	

CUSTOMER APPROVAL _____
SIGNATURE DATE

YX3-225 4-8P (B5,V1)
DIMENSION OUTLINE



DATE	2005.12.5	CHK	
DRAWN		APPD	
ISSUE A	DATE	CERTIFIED BY	
ISSUE B	DATE	CERTIFIED BY	
ISSUE C	DATE	CERTIFIED BY	
ISSUE D	DATE	CERTIFIED BY	



CLIENT:	FRAME	KW	RPM
	VOLTS		

OUTLINE DIMENSIONS FOOT-FLANGE MOUNTED MOTORS

SHAFT EXT.DE ONLY

WEIGHT

A	AA	AB	AC			B	BB	C	H		HA	HD	K	KK	L	LG	D	DH	E	ED	F	G	GD
356	75	436	465			286(225S)	311(225M)	355(225S)	380(225M)	14.9	225	28	560	18.5	M50X1.5	340	60	M20X4.2	14.0	110	18	53	11

LA	M	N	P	R	S	T
20	400	350	450	0	18.5	5

CUSTOMER APPROVAL _____
SIGNATURE DATE

YX3-225 4-8P (B35)
DIMENSION OUTLINE



DATE	2005.12.5	CHK	
DRAWN		APPD	
ISSUE A	DATE	CERTIFIED BY	
ISSUE B	DATE	CERTIFIED BY	
ISSUE C	DATE	CERTIFIED BY	
ISSUE D	DATE	CERTIFIED BY	