

CLIENT:			
FRAME	KW	RPM	
VOLTS			

OUTLINE DIMENSIONS FOOT MOUNTED MOTORS

SHAFT EXT.DE ONLY

WEIGHT

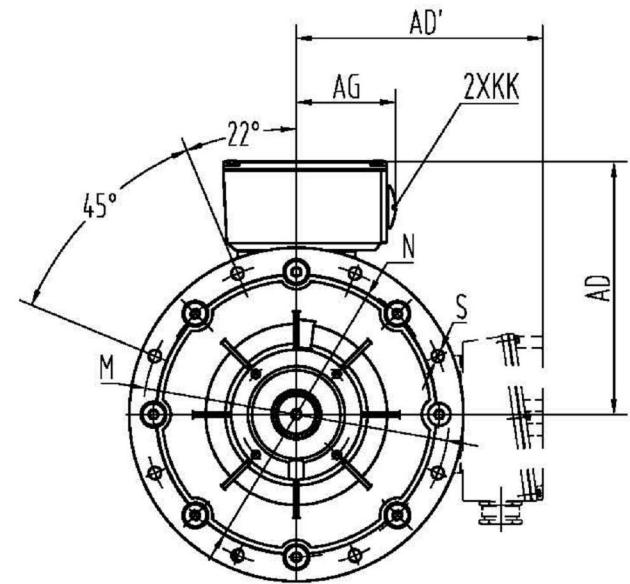
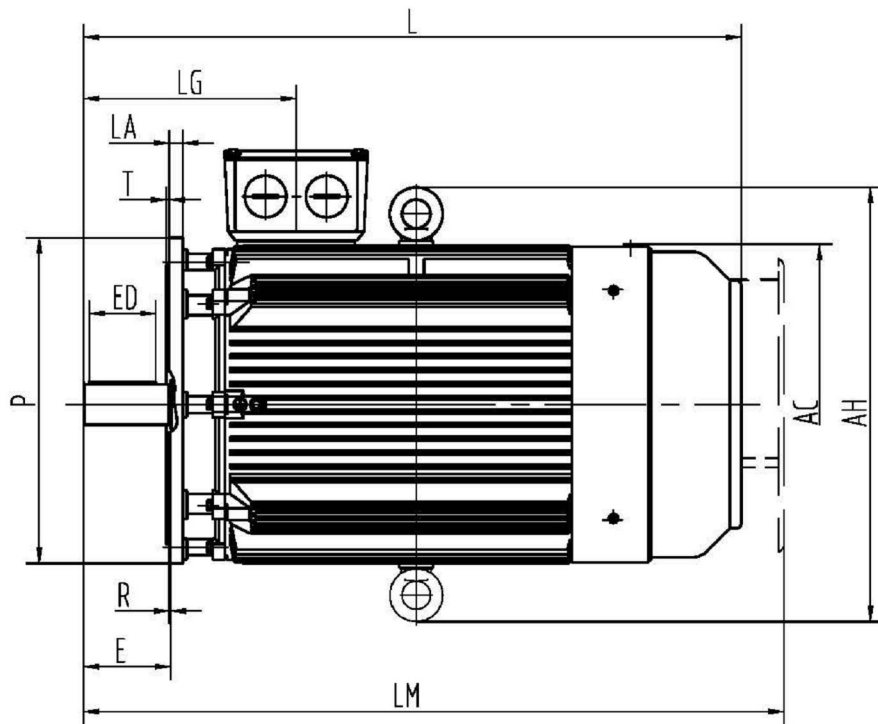
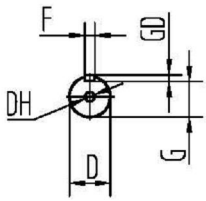
A	AA	AB	AC	AD'	AG	B	BB	C		H	HA	HD	K	KK	L	LG		D	DH	E	ED	F	G	GD	
508	120	635	650	495	195	508	625	216		315	45	820	28	M63X1.5	1270	387		65	M20X4.2	140	110	18	58	11	

CUSTOMER APPROVAL _____
SIGNATURE DATE

YX3-315L 2P (B3)
DIMENSION OUTLINE



DATE	2005.12.5	CHK	
DRAWN		APPD	
ISSUE	A	DATE	CERTIFIED BY
ISSUE	B	DATE	CERTIFIED BY
ISSUE	C	DATE	CERTIFIED BY
ISSUE	D	DATE	CERTIFIED BY



CLIENT:		
FRAME	KW	RPM
VOLTS		

OUTLINE DIMENSIONS FLANGE MOUNTED MOTORS

SHAFT EXT.DE ONLY

WEIGHT

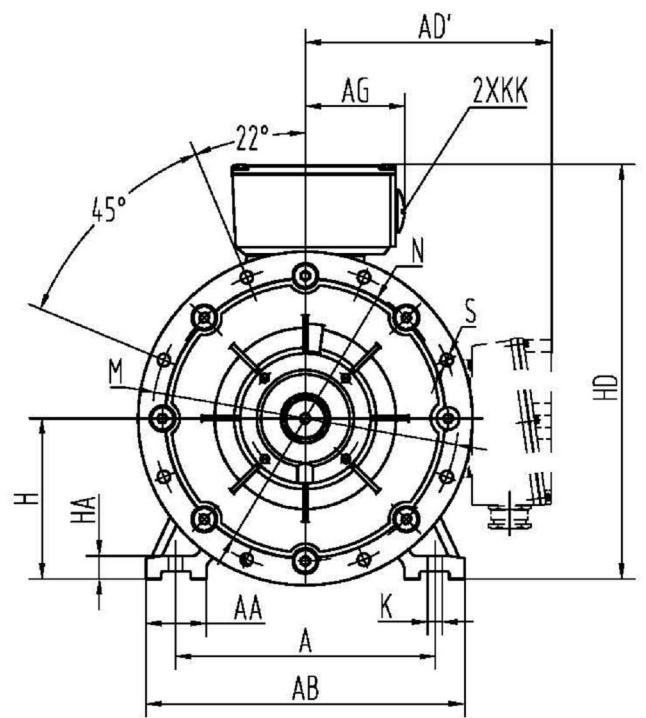
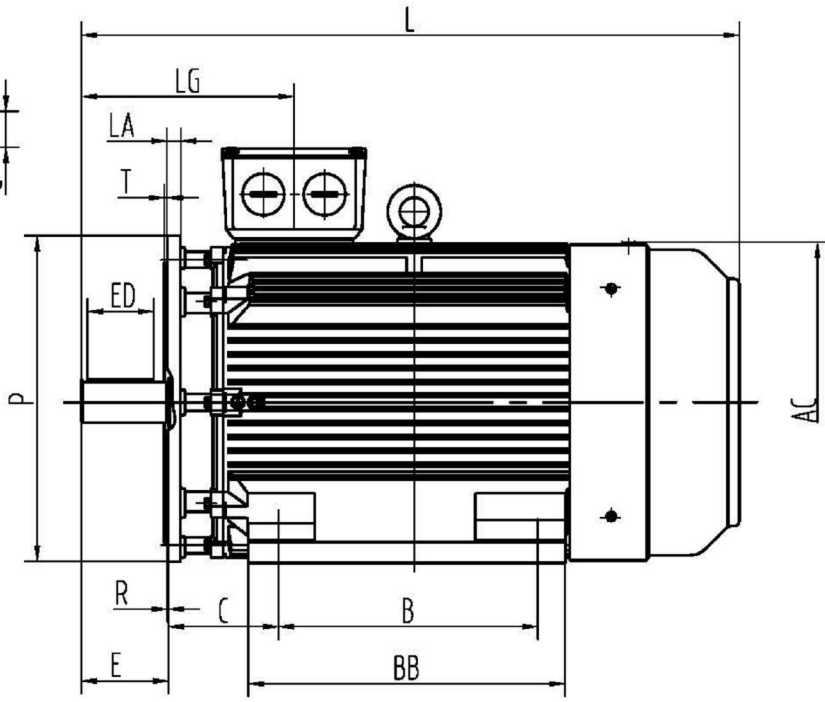
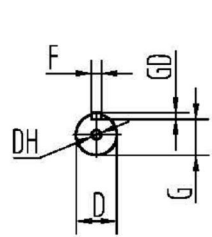
AC	AD	AD'	AG	AH	KK	L	LG	LM		LA	M	N	P	R	S	T		D	DH	E	ED	F	G	GD	
650	500	495	195	870	M63X1.5	1270	387	1368		24	600	550	660	0	24	6		65	M20X4.2	140	110	18	58	11	

CUSTOMER APPROVAL _____
SIGNATURE DATE

YX3-315M.L 2P (V1)
DIMENSION OUTLINE



DATE	2005.12.5	CHK	
DRAWN		APPD	
ISSUE A	DATE	CERTIFIED BY	
ISSUE B	DATE	CERTIFIED BY	
ISSUE C	DATE	CERTIFIED BY	
ISSUE D	DATE	CERTIFIED BY	



CLIENT:			
FRAME	KW	RPM	
VOLTS			

OUTLINE DIMENSIONS FOOT-FLANGE MOUNTED MOTORS

SHAFT EXT.DE ONLY

WEIGHT

A	AA	AB	AC	AD'	AG	B	BB	C		H	HA	HD	K	KK	L	LG		D	DH	E	ED	F	G	GD	
508	120	635	650	495	195	508	625	216		315	45	820	28	M63X1.5	1270	387		65	M20X4.2	140	110	18	58	11	

LA	M	N	P	R	S	T
24	600	550	660	0	24	6

CUSTOMER APPROVAL _____
SIGNATURE _____ DATE _____

YX3-315L 2P (B35)
DIMENSION OUTLINE

ELECTRAMO

DATE	2005.12.5	CHK	
DRAWN		APPD	
ISSUE A	DATE	CERTIFIED BY	
ISSUE B	DATE	CERTIFIED BY	
ISSUE C	DATE	CERTIFIED BY	
ISSUE D	DATE	CERTIFIED BY	