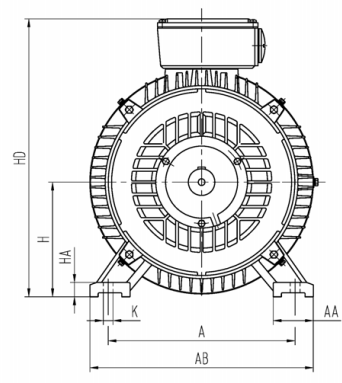
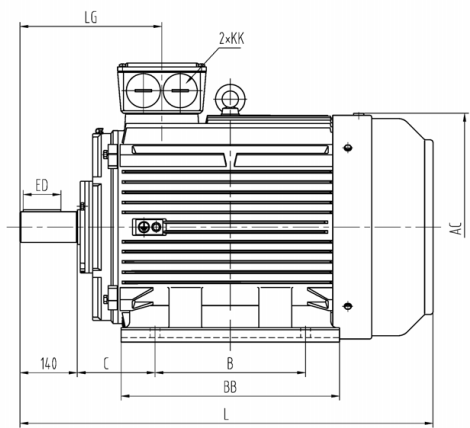


CLIENT:	FRAME	KW
	VOLTS	RPM



OUTLINE DIMENSIONS FOOT MOUNTED MOTORS													SHAFT EXT.DE ONLY											
A	AA	AB	AC		B	BB	C	H	HA	HD	K	KK	L	LG	D	DH	E	ED	F	G	GD			
4.57	103	550	570		368(280S)	419(280M)	495(280S)	535(280M)	190	280	35	685	24	M63X1.5	975(280S)	1015(280M)	350	75	M20x4.2	14.0	110	20	67.5	12

CUSTOMER APPROVAL _____
SIGNATURE _____ DATE _____

YX3-280-4-8(B3)		DATE	2005.12.5	CHK	
DIMENSION OUTLINE		DRAWN		APPD	
ISSUE A	DATE			CERTIFIED BY	
ISSUE B	DATE			CERTIFIED BY	
ISSUE C	DATE			CERTIFIED BY	
ISSUE D	DATE			CERTIFIED BY	

