

OUTLINE DIMENSIONS FOOT MOUNTED MOTORS

SHAFT EXT.DE ONLY

WEIGHT

A	AA	AB	AC	AD'	AG	B	BB	C	H	HA	HD	K	KK	L	LG			D	DH	E	ED	F	G	GD
508	120	635	650	495	195	457	625	216	315	45	820	28	M63X1.5	1300	417			80	C20X42	170	140	22	71	14

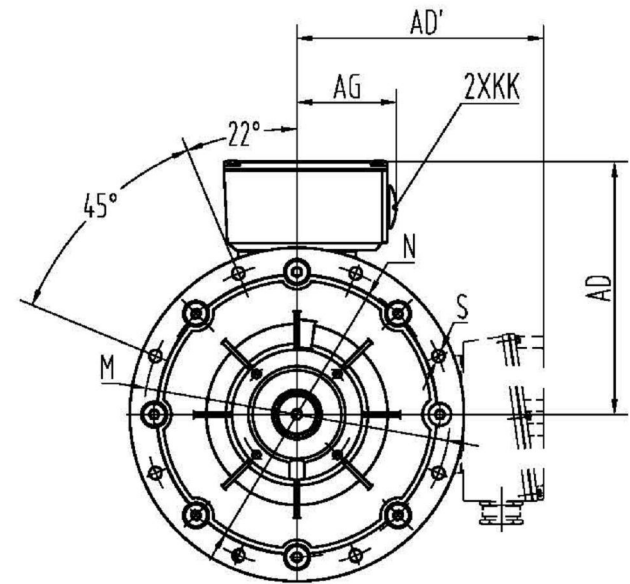
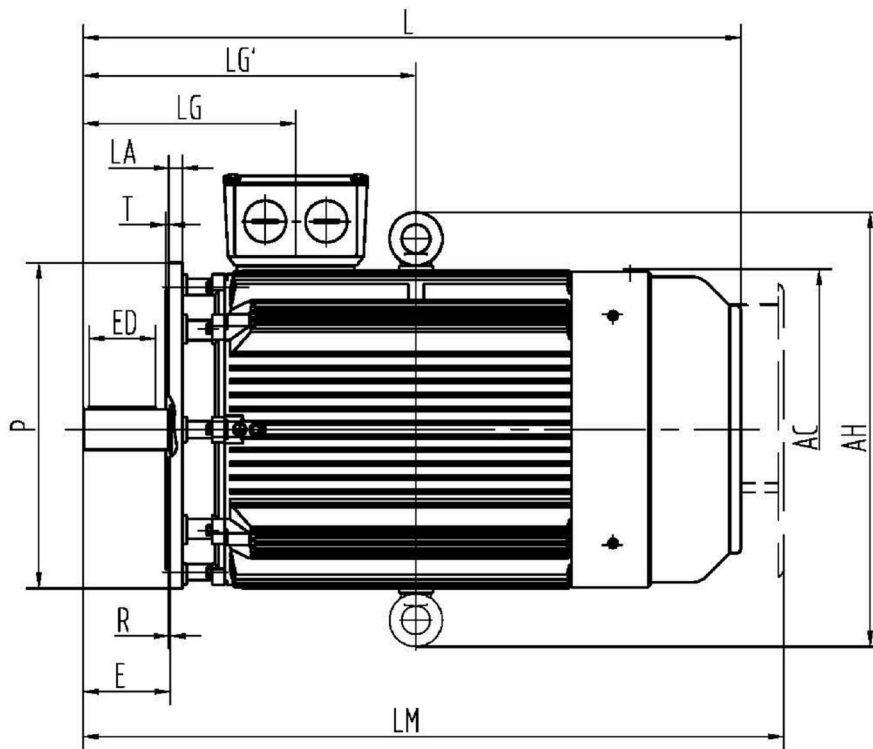
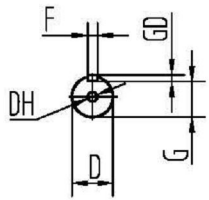
CUSTOMER APPROVAL _____
SIGNATURE DATE

YX3-315M-4.6P (B3)

DIMENSION OUTLINE



DATE	2008.10.16	CHK	
DRAWN		APPD	
ISSUE A	DATE	CERTIFIED BY	
ISSUE B	DATE	CERTIFIED BY	
ISSUE C	DATE	CERTIFIED BY	
ISSUE D	DATE	CERTIFIED BY	



CLIENT:

FRAME	KW
VOLTS	RPM

OUTLINE DIMENSIONS FLANGE MOUNTED MOTORS

SHAFT EXT.DE ONLY

WEIGHT

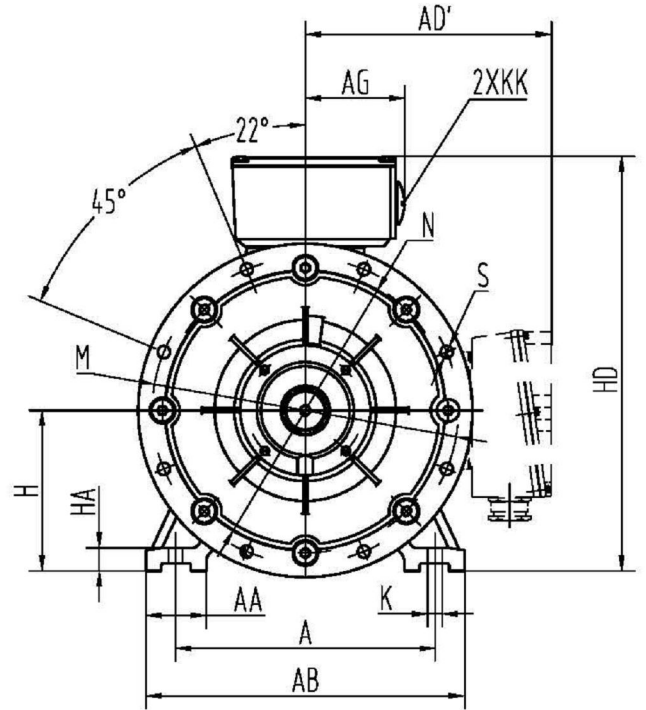
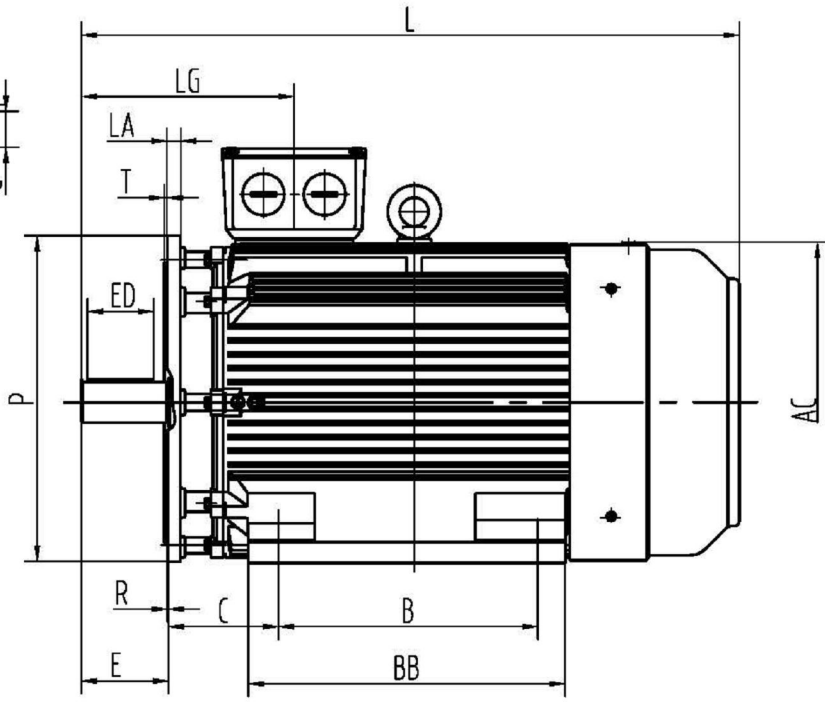
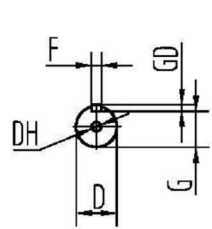
AC	AD	AD'	AG	AH	KK	L	LG	LG'	LM	LA	M	N	P	R	S	T	D	DH	E	ED	F	G	GD
650	500	495	195	870	M63X1.5	1300	417	647	1398	24	600	550	660	0	24	6	80	M20X4.2	170	140	22	71	14

CUSTOMER APPROVAL _____
SIGNATURE DATE

YX3-315M.L-4-6P (V1)
DIMENSION OUTLINE



DATE	2005.12.5	CHK	
DRAWN		APPD	
ISSUE A	DATE	CERTIFIED BY	
ISSUE B	DATE	CERTIFIED BY	
ISSUE C	DATE	CERTIFIED BY	
ISSUE D	DATE	CERTIFIED BY	



CLIENT:	FRAME	KW	RPM
	VOLTS		

OUTLINE DIMENSIONS FOOT-FLANGE MOUNTED MOTORS

SHAFT EXT.DE ONLY

WEIGHT

A	AA	AB	AC	AD'	AG	B	BB	C	H	HA	HD	K	KK	L	LG	D	DH	E	ED	F	G	GD
508	120	635	650	495	195	457	625	216	315	45	820	28	M63X1.5	1300	417	80	M20X4.2	170	140	22	71	14

LA	M	N	P	R	S	T
24	600	550	660	0	24	6

CUSTOMER APPROVAL _____
 SIGNATURE _____ DATE _____

YX3-315M-4-6P (B35)
 DIMENSION OUTLINE

ELECTRAMO®

DATE		CHK	
DRAWN		APPD	
ISSUE A	DATE	CERTIFIED BY	
ISSUE B	DATE	CERTIFIED BY	
ISSUE C	DATE	CERTIFIED BY	
ISSUE D	DATE	CERTIFIED BY	