



Manufacturer

VEM motors GmbH - Werk Zwickau
Äußere Dresdner Str. 35

Customer

akkerstraat 10

08066 ZWICKAU
Deutschland

Three-phase motors with squirrel cage rotor,
Housing grey cast iron

Type		IE3-W41R 112 MV6
Design output	(kW)	2,2
Design torque	(Nm)	22
Class IE	[-]	IE3-84,3%
Efficiency determination		EN 60034-2-1
Duty type		S1
Design frequency	(Hz)	50
Design speed	[rpm]	955
Voltage	(V)	400/690
Connection	[-]	D/Y
Current	[A]	5.15/2.99
Relative pull-in current	[-]	5,7
Relative starting torque	[-]	2,4
Relative pull-up torque	[-]	2,3
Relative pull-out torque	[-]	2,9
Efficiency _{100/75/50} %	[%]	84,3 / 83,6 / 80,9
Power factor	[-]	0,74
Th. cl.		155(F/B)
Coolant temperature	(°C)	-20...+40
Altitude above sea level	(m)	1000
Degree of protection IP		IP55
Moment of inertia	(kgm ²)	0,0155
Motor weight	(kg)	48
Bearing, D-side		6206 2Z C3
Bearing, N-side		6206 2ZN C3
Grease type		Asonic GLY 32
A-sound pressure level	(dB)	a.A.

Options

Type of mounting	IM B3
Flange	-
Terminal box	Standard
Position of terminal box	on the top
Cable gland	Sealing plug
Position of cable entry	right
Shaft	Standard, 1 shaft end
Bearing	Easy bearing arrangement
Winding protection	1 set ptc resistors
Limit values to vibration velocity	Class A
	Balancing with half key
Colour system	01 Moderate (KK C2),RAL 7031 blue-grey
Delivery conditions and/or official regulations:	IEC / EN 60034-1

This document was produced electronically, all specifications are valid only after confirmation of the manufacturer

Data sheet

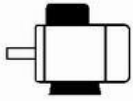
06.05.2024 MADE WITH VEM EKAT 2024



Three-phase motors with squirrel cage rotor,
Housing grey cast iron

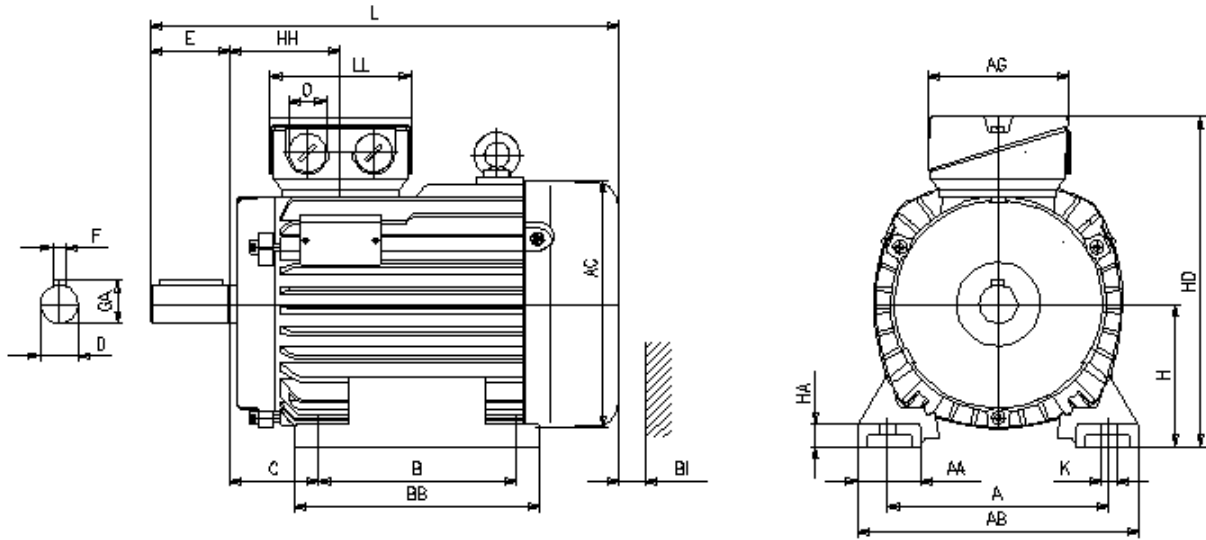
IE3-W41R 112 MV6

Mounting position



Type of mounting: IM B3
Flange: -
Position of terminal box: on the top
Brake type:
Forced-ventilation:

Terminal box: KA 05
Cable gland O: 1 xSealing plug



Motor

A	AA	AB	AC	AD	B	B'	BA	BA'	BB	C	CA	K	K'
190	52	225	196	-	140	-	-	-	180	70	-	12	12
L	LC	H	HA	HD	HH	BI	Protection cover			AG	LL	Terminal box	
421	-	112	18	248	77	20	L	-	-	92	92	BE	AH
												-	-

Flange

P	N	LA	M	T	S	Tolerances			
-	-	-	-	-	-	H	N	D	DA
						-0,5	j6	k6	k6

Shaft-DS

D	E	GA	F	DB
28	60	31	8	DIN 332 DS- M10

Shaft-NS

DA	EA	GC	FA
-	-	-	-

DB...Centre hole

Delivery conditions and/or official regulations: IEC / EN 60034-1

This document was produced electronically, all specifications are valid only after confirmation of the manufacturer