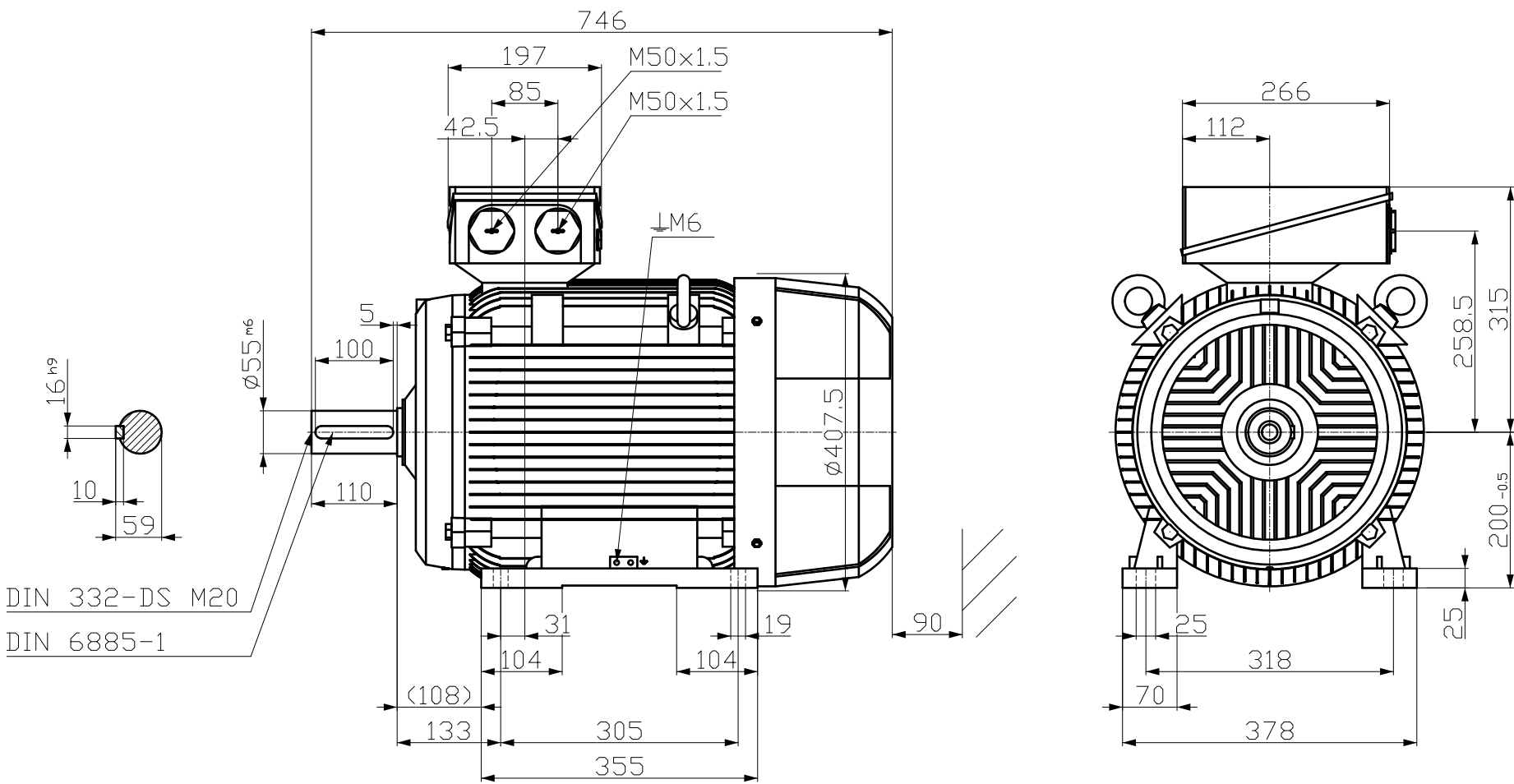


刀线管  
 用文全  
 图  
 版  
 号  
 01  
 02  
 03  
 04  
 05  
 06  
 07  
 08  
 09  
 10  
 11  
 12  
 13  
 14  
 15  
 16  
 17  
 18  
 19  
 20  
 21  
 22  
 23  
 24  
 25  
 26  
 27  
 28  
 29  
 30  
 31  
 32  
 33  
 34  
 35  
 36  
 37  
 38  
 39  
 40  
 41  
 42  
 43  
 44  
 45  
 46  
 47  
 48  
 49  
 50  
 51  
 52  
 53  
 54  
 55  
 56  
 57  
 58  
 59  
 60  
 61  
 62  
 63  
 64  
 65  
 66  
 67  
 68  
 69  
 70  
 71  
 72  
 73  
 74  
 75  
 76  
 77  
 78  
 79  
 80  
 81  
 82  
 83  
 84  
 85  
 86  
 87  
 88  
 89  
 90  
 91  
 92  
 93  
 94  
 95  
 96  
 97  
 98  
 99  
 100



Tolerance	Surface	Material	Weight	Scale
F50F1 EI E0004 H4 C01 E2 U0004Y1 H	Author Creator Approval Department Change Order	ÖVS T a : ^ & @ } * MFB	É	{ {
SIEMENS		FÍ BECH	Item No	Paper Size CH
© INNO MOTICS 2023	Revision Index RS	Doc No	1st Language ^	2nd Language á
Project No É	Ref No É	Doc Type	Sheet F of F	

V&@ a&@ A) aV) \* ^) A[ i a @ a n) A  
 V&@ B a @ a a a a A \* a b @ a A & @ \* ^ A