



Manufacturer	Customer
VEM motors GmbH - Werk Wernigerode	akkerstraat 10
Carl-Friedrich-Gauß-Straße 1	

38855 WERNIGERODE
Deutschland

Three-phase motors with squirrel cage rotor,
Housing grey cast iron

Type	IE3-W43R 200 LX2 TPM HW		
Design output	(kW)	37	
Design torque	(Nm)	120	
Class IE	[-]	IE3-93,8%	
Efficiency determination		EN 60034-2-1	
Duty type		S1	
Design frequency	(Hz)	50	
Design speed	[rpm]	2955	
Voltage	(V)	400/690	
Connection	[-]	D	Y
Current	[A]	63.5	36.8
Relative pull-in current	[-]	7,4	
Relative starting torque	[-]	1,8	
Relative pull-up torque	[-]	1,5	
Relative pull-out torque	[-]	2,9	
Efficiency100/75/50 %	[%]	93,8 / 94,2 / 93,9	
Power factor	[-]	0,9	
Th. cl.		155(F/B)	
Coolant temperature	(°C)	-20...+40	
Altitude above sea level	(m)	1000	
Degree of protection IP		IP55	
Moment of inertia	(kgm ²)	0,22	
Motor weight	(kg)	285	
Bearing, D-side		6312 C3	
Bearing, N-side		6312 C3	
Grease type		ASONIC GHY 72	
A-sound pressure level	(dB)	74	

Impulse voltage insulation class IVIC acc. to IEC 60034-18-41

$U_{pk/pk}$ Ph-Ph (phase-phase)	(V)	2380	C (strong)/A (small)
$U_{pk/pk}$ Ph-Earth (phase-earth)	(V)	1680	
t_r pulse rise time	[μ s]	> 0,3	

Options

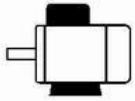
Type of mounting	IM B3
Flange	-
Terminal box	Standard
Position of terminal box	on the top
Cable gland	Sealing plug
Position of cable entry	right
Shaft	Standard, 1 shaft end
Bearing	Easy bearing arrangement
Special details to bearings	Fixed bearing, N-side
Winding protection	1 set ptc resistors
Limit values to vibration velocity	Class A
	Balancing with halfkey
Colour system	01 Moderate (KK C2),RAL 7031 blue-grey
Delivery conditions and/or official regulations:	IEC / EN 60034-1

This document was produced electronically, all specifications are valid only after confirmation of the manufacturer

Three-phase motors with squirrel cage rotor,
Housing grey cast iron

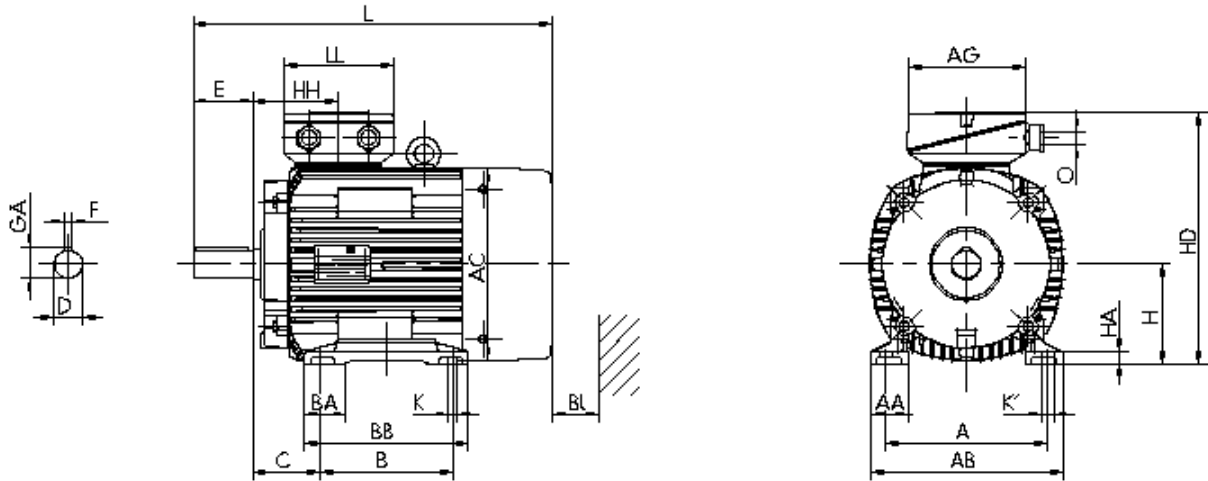
IE3-W43R 200 LX2 TPM HW

Mounting position



Type of mounting: IM B3
Flange: -
Position of terminal box: on the top
Brake type:
Forced-ventilation:

Terminal box: KK 100 A
Cable gland O: 1 x Sealing plug



Motor

A	AA	AB	AC	AD	B	B'	BA	BA'	BB	C	CA	K	K'		
318	70	372	390	-	305		70	-	360	133	-	19	25		
												Protection cover		Terminal box	
L	LC	H	HA	HD	HH	BI	L	AG	LL	BE	AH				
767	-	200	22	500	168	40	-	213	207	-	-				

Flange

P	N	LA	M	T	S								
-	-	-	-	-	-								

Tolerances

H	N	D	DA
-0,5	h6	m6	m6

Shaft-DS

D	E	GA	F	DB
55	110	59	16	DIN 332 DS- M20

Shaft-NS

DA	EA	GC	FA
-	-	-	-

DB...Centre hole

Delivery conditions and/or official regulations: IEC / EN 60034-1

This document was produced electronically, all specifications are valid only after confirmation of the manufacturer