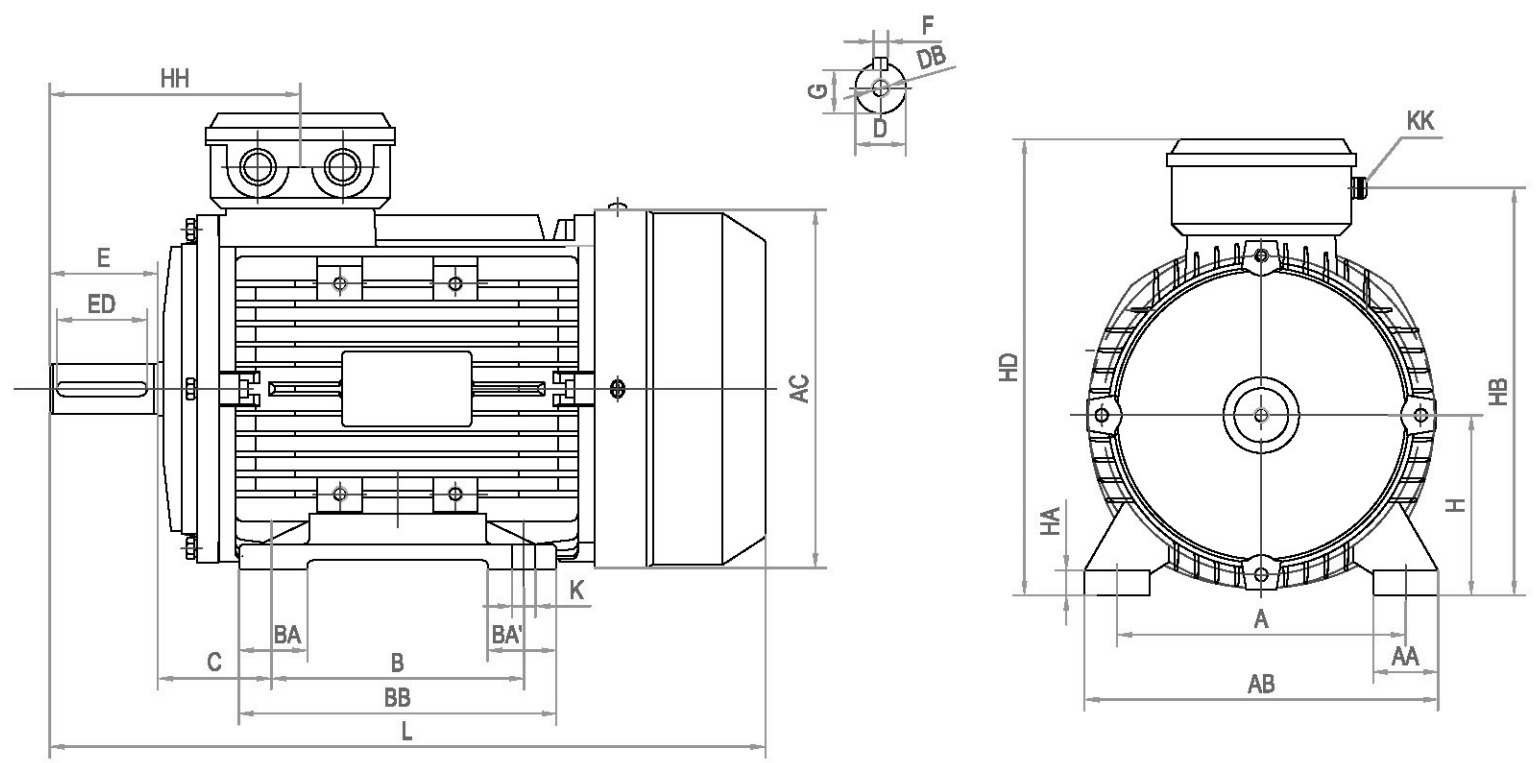


CLIENT:	FRAME	VOLTS	100	KW	RPM	FRAME	KW
						MS100L1-2	3
						MS100L2-2	4
						MS100L1-4	2.2
						MS100L2-4	3
						MS100L3-4	4
						MS100L-6	1.5
						MS100L1-8	0.75
						MS100L2-8	1.1
						EMS100L1-2	3
EMS100L2-2	4						
EMS100L1-4	2.2						
EMS100L2-4	3						
EMS100L3-4	4						
EMS100L-6	1.5						



FOOT-OR-FLANGE-MOUNTING

SHAFT EXT.DE ONLY

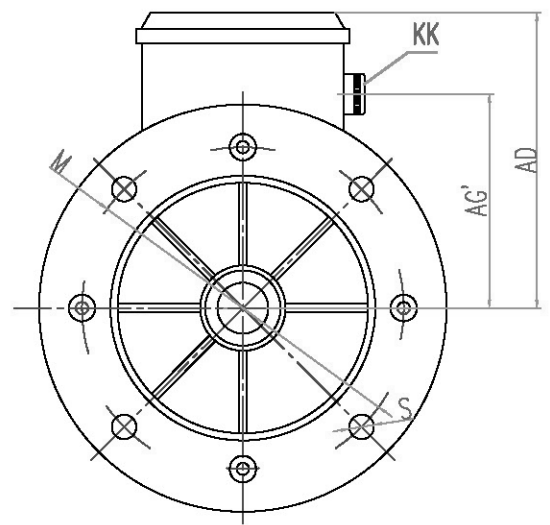
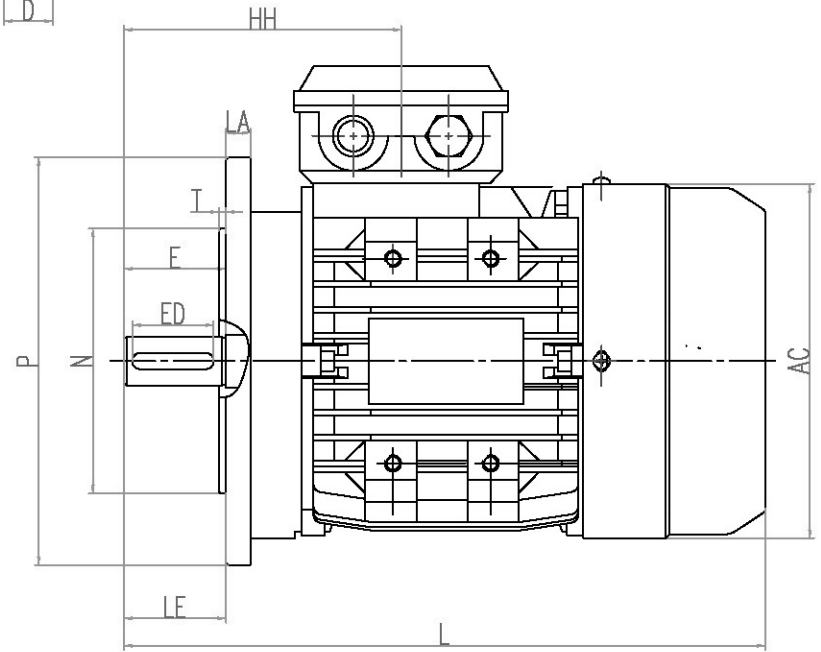
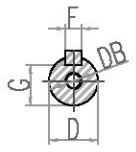
WEIGHT(kg)

A	AA	AB	AC	B	BA	BA'	BB	C	H	HA	HB	HD	HH	K	KK	L				D	DB	E	ED	F	G							
160	50	198	Ø205	140	42	42	176	63	100	14	222	252	139	12X16	1-M20X1.5	400				Ø28	M10X22	60	50	8	24							

100 B3		DATE	CHECKED BY	
		DESIGNED BY	APPROVED BY	
DIMENSION OUTLINE		ISSUE	DATE	CERTIFIED BY
		ISSUE	DATE	CERTIFIED BY
		ISSUE	DATE	CERTIFIED BY
		ISSUE	DATE	CERTIFIED BY



FRAME	KW
MS90S-2	1.5
MS90S-4	1.1
MS90S-6	0.75
MS90S-8	0.37
EMS90S-2	1.5
EMS90S-4	1.1
EMS90S-6	0.75



CLIENT:	KW	RPM
	90S	
	FRAME	VOLTS

OUTLINE DIMENSIONS FLANGE MOUNTED MOTORS

SHAFT EXT.DE ONLY

AC	AD	AG'	KK	L	LA	HH	LE	M	N	P	S	T				D	DB	E	ED	F	G										
φ185	145	110	1-M20X1.5	315	12	133	50	φ165	φ130	φ200	4-φ12	3.5				φ24	M8x20	50	40	8	20										

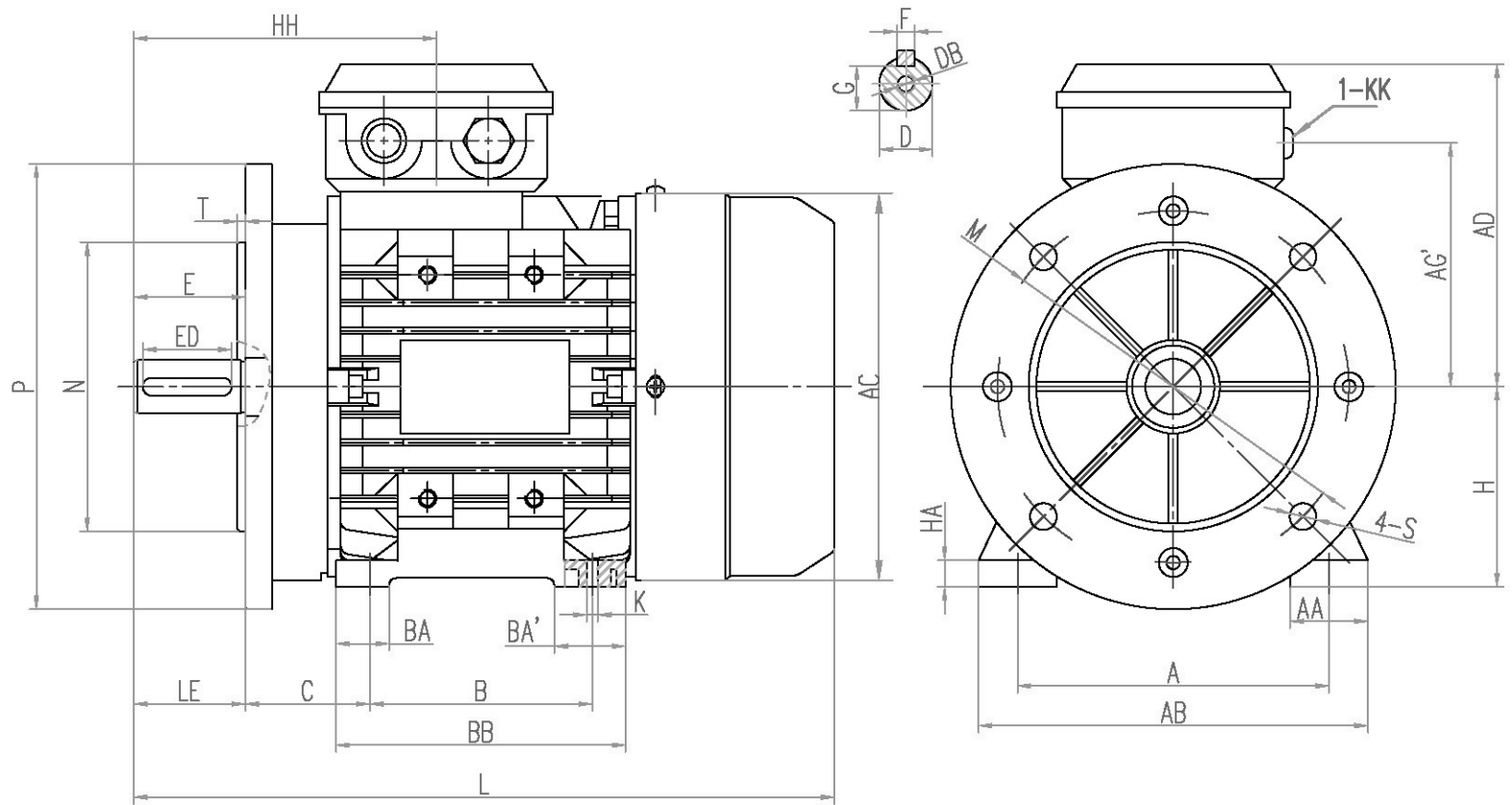
CUSTOMER APPROVAL \_\_\_\_\_  
 SIGNATURE DATE

90S V1/B5  
DIMENSION OUTLINE

DATE		CHECKED BY
DESIGNED BY		APPROVED BY
ISSUE	DATE	CERTIFIED BY
ISSUE	DATE	CERTIFIED BY
ISSUE	DATE	CERTIFIED BY
ISSUE	DATE	CERTIFIED BY

**ELECTRAMO®**

CLIENT:	90S	KW	RPM	FRAME	KW
				MS90S-2	1.5
				MS90S-4	1.1
				MS90S-6	0.75
				MS90S-8	0.37
				EMS90S-2	1.5
				EMS90S-4	1.1
				EMS90S-6	0.75



OUTLINE DIMENSIONS FLANG MOUNTED MOTORS

SHAFT EXT.DE ONLY

A	AA	AB	AG'	AC	AD	B	BB	BA	BA'	LE	HH	C	H	HA	K	KK	L	M	N	P	S	T	D	DB	E	ED	F	G
140	35	175	110	φ185	145	100	130	32.5	32.5	50	133	56	90	12	10X13	M20X1.5	315	φ165	φ130	φ200	φ12	3.5	φ24	M8×20	50	40	8	20

CUSTOMER APPROVAL

SIGNATURE

DATE

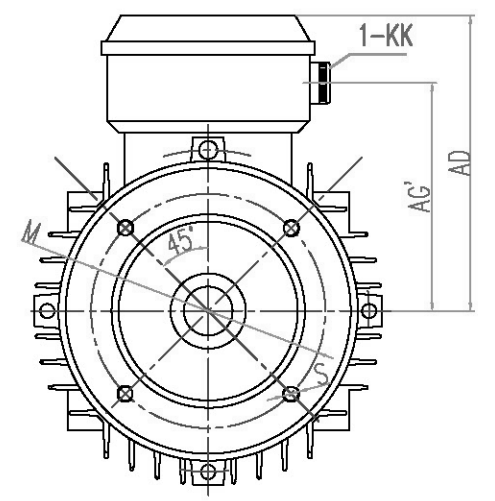
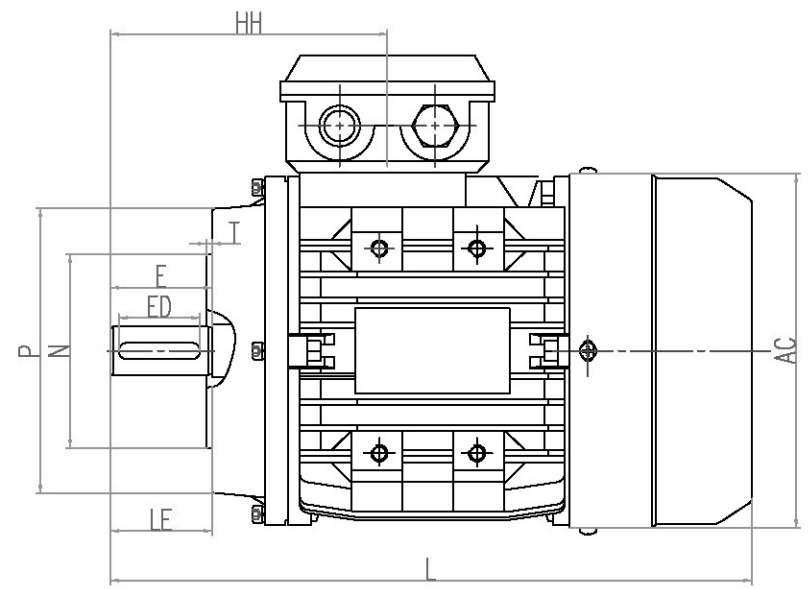
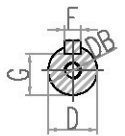
90S B35

DIMENSION OUTLINE



DATE		CHECKED BY	
DESIGNED BY		APPROVED BY	
ISSUE	DATE	CERTIFIED BY	
ISSUE	DATE	CERTIFIED BY	
ISSUE	DATE	CERTIFIED BY	
ISSUE	DATE	CERTIFIED BY	

FRAME	KW
MS90S-2	1.5
MS90S-4	1.1
MS90S-6	0.75
MS90S-8	0.37
EMS90S-2	1.5
EMS90S-4	1.1
EMS90S-6	0.75



CLIENT:	KW	RPM
	90S	
	FRAME	VOLTS

OUTLINE DIMENSIONS FLANGE MOUNTED MOTORS

SHAFT EXT.DE ONLY

AC	AD	AG'	KK	L	HH	LE	M	N	P	S	T					D	DH	E	ED	F	G								
φ185	145	110	M20X1.5	315	133	50	φ115	φ95	φ140	4-M8	3					φ24	M8*20	50	40	8	20								

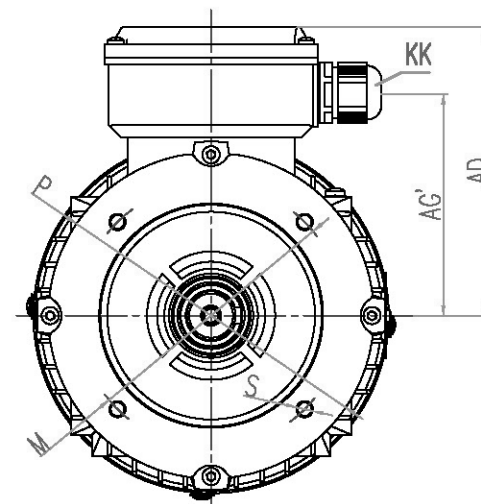
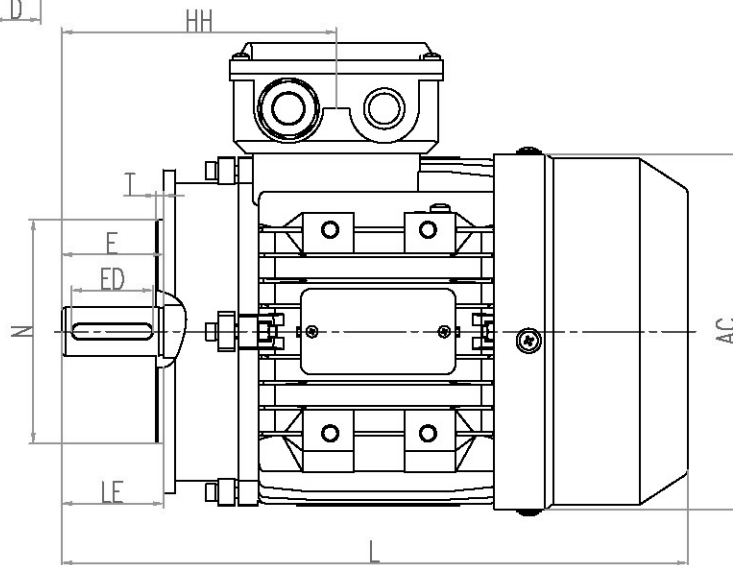
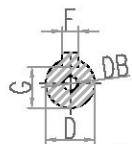
CUSTOMER APPROVAL \_\_\_\_\_  
 SIGNATURE DATE

90S B14A  
 DIMENSION OUTLINE



DATE		CHECKED BY
DESIGNED BY		APPROVED BY
ISSUE	DATE	CERTIFIED BY
ISSUE	DATE	CERTIFIED BY
ISSUE	DATE	CERTIFIED BY
ISSUE	DATE	CERTIFIED BY

FRAME	KW
MS90S-2	1.5
MS90S-4	1.1
MS90S-6	0.75
MS90S-8	0.37
EMS90S-2	1.5
EMS90S-4	1.1
EMS90S-6	0.75



CLIENT:		
	KW	RPM
	90S	
	FRAME	VOLTS

OUTLINE DIMENSIONS FLANGE MOUNTED MOTORS

SHAFT EXT.DE ONLY

AC	AD	AG'	KK	L	HH	LE				M	N	P	S	T				D	DB	E	ED	F	G						
φ185	145	110	1-M20×1.5	315	133	50				φ130	φ110	φ160	4-M8	3.5				φ24	M8×20	50	40	8	20						

CUSTOMER APPROVAL \_\_\_\_\_  
 SIGNATURE DATE

90S B14B  
 DIMENSION OUTLINE



DATE		CHECKED BY
DESIGNED BY		APPROVED BY
ISSUE	DATE	CERTIFIED BY
ISSUE	DATE	CERTIFIED BY
ISSUE	DATE	CERTIFIED BY
ISSUE	DATE	CERTIFIED BY