



Manufacturer

Customer

**VEM motors GmbH - Werk Zwickau**  
**Äußere Dresdner Str. 35**

**08066 ZWICKAU**  
**Deutschland**

**Three-phase motors with squirrel cage rotor,**  
**Housing grey cast iron**

Type	IE3-W41R 112 MY2		
Design output	( kW )	4	
Design torque	( Nm )	13,1	
Class IE	[ - ]	IE3-88,1%	
Efficiency determination	EN 60034-2-1		
Duty type		S1	
Design frequency	( Hz )	50	
Design speed	[rpm]	2920	
Voltage	( V )	230/400	
Connection	[ - ]	D	Y
Current	[ A ]	13.74	7.90
Relative pull-in current	[ - ]	8,3	
Relative starting torque	[ - ]	2,3	
Relative pull-up torque	[ - ]	2,1	
Relative pull-out torque	[ - ]	3,3	
Efficiency100/75/50 %	[ % ]	88,1 / 87,5 / 86,9	
Power factor	[ - ]	0,84	
Th. cl.		155(F)	
Coolant temperature	( °C )	-20°C...+40°C	
Altitude above sea level	( m )	1000m	
Degree of protection IP		IP55	
Moment of inertia	( kgm <sup>2</sup> )	0,0055	
Motor weight	( kg )	38	
Bearing, D-side		6206 2Z C3	
Bearing, N-side		6206 2ZN C3	
Relubrication interval	( h )		
Grease type		Asonic GLY 32	
Grease amount	[cm <sup>3</sup> ]		
A-sound pressure level	( dB )	a.A.	

**Options**

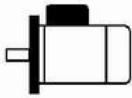
Type of mounting	IMB5
Flange	FF 215[A 250]
Terminal box	Standard
Position of terminal box	on the top
Cable gland	Sealing plug
Position of cable entry	right
Shaft	Standard, 1 shaft end
Bearing	Easy bearing arrangement
Limit values to vibration velocity	Class A
	Balancing with half key
Colour system	01 Moderate (KK C2),RAL 7031 blue-grey
Delivery conditions and/or official regulations:	IEC / EN 60034-1

This document was produced electronically, all specifications are valid only after confirmation of the manufacturer

Three-phase motors with squirrel cage rotor,  
Housing grey cast iron

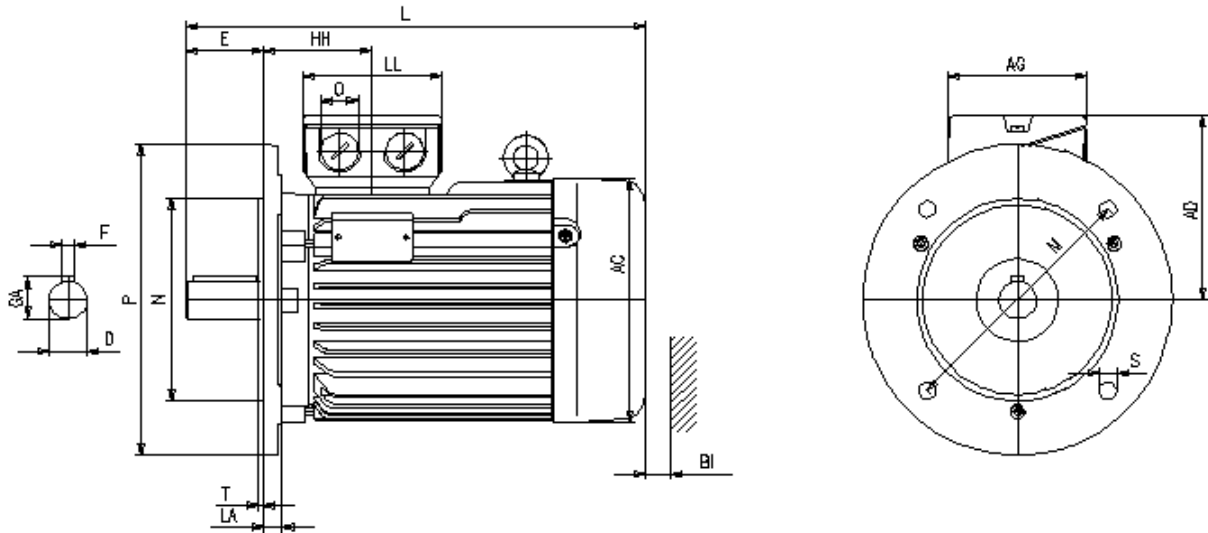
## IE3-W41R 112 MY2

### Mounting position



Type of mounting: IMB5  
Flange: FF 215[A 250]  
Position of terminal box: on the top  
Brake type:  
Forced-ventilation:

Terminal box: KA 05  
Cable gland O: 1 xSealing plug



### Motor

A	AA	AB	AC	AD	B	B'	BA	BA'	BB	C	CA	K	K'
-	-	-	196	137	-	-	-	-	-	-	-	-	-
										<b>Protection cover</b>		<b>Terminal box</b>	
L	LC	H	HA	HD	HH	BI		L		AG	LL	BE	AH
391	-	112	-	-	77	20		-		92	92	-	-

### Flange

P	N	LA	M	T	S	<b>Tolerances</b>		H	N	D	DA
250	180	13	215	4	14			-0,5	j6	k6	k6

### Shaft-DS

D	E	GA	F	DB
28	60	31	8	DIN 332 DS- M10

### Shaft-NS

DA	EA	GC	FA
-	-	-	-

### DB...Centre hole

Delivery conditions and/or official regulations: IEC / EN 60034-1

This document was produced electronically, all specifications are valid only after confirmation of the manufacturer