



Manufacturer

Customer

VEM motors Thurm GmbH
Äußere Dresdener Str. 35

08066 ZWICKAU
Deutschland

Three-phase motors with squirrel cage rotor,
Housing grey cast iron

Type	IE3-W41R 112 MY2		
Design output	(kW)	4	
Design torque	(Nm)	13,1	
Class IE	(-)	IE3-88,1%	
Efficiency determination	EN 60034-2-1		
Duty type		S1	
Design frequency	(Hz)	50	
Design speed	[rpm]	2920	
Voltage	(V)	400/690	
Connection	(-)	D	Y
Current	(A)	7.9	4.6
Relative pull-in current	(-)	8,3	
Relative starting torque	(-)	2,3	
Relative pull-out torque	(-)	3,3	
Efficiency100/75/50 %	(%)	88,1 / 87,5 / 86,9	
Power factor	(-)	0,84	
Th. cl.		155(F)	
Coolant temperature	(°C)	-20°C...+40°C	
Altitude above sea level	(m)	1000m	
Degree of protection IP		IP55	
Moment of inertia	(kgm ²)	0,0055	
Motor weight	(kg)	38	
Bearing, D-side		6206 2Z C3	
Bearing, N-side		6206 2ZN C3	
Relubrication interval	(h)		
Grease type		Asonic GLY 32	
Grease amount	(g)		
A-sound pressure level	(dB)	a.A.	

Options

Type of mounting	IM B3
Flange:	-
Terminal box	Standard
Position of terminal box	on the top
Cable gland	Sealing plug
Position of cable entry	right
Shaft	Standard
Bearing	Easy bearing arrangement
Special details to bearings	none
Bearing monitoring	none
Anti-condensation heating	none
Limit values to vibration velocity	Class A
Colour system	Balancing with half key 01 Moderate (KK C2),RAL 7031 blue-grey,60 µm

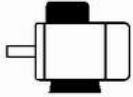
Delivery conditions and/or official regulations: IEC / EN 60034-1
 Special customer specifications without

This document was produced electronically, all specifications are valid only after confirmation of the manufacturer

Three-phase motors with squirrel cage rotor,
Housing grey cast iron

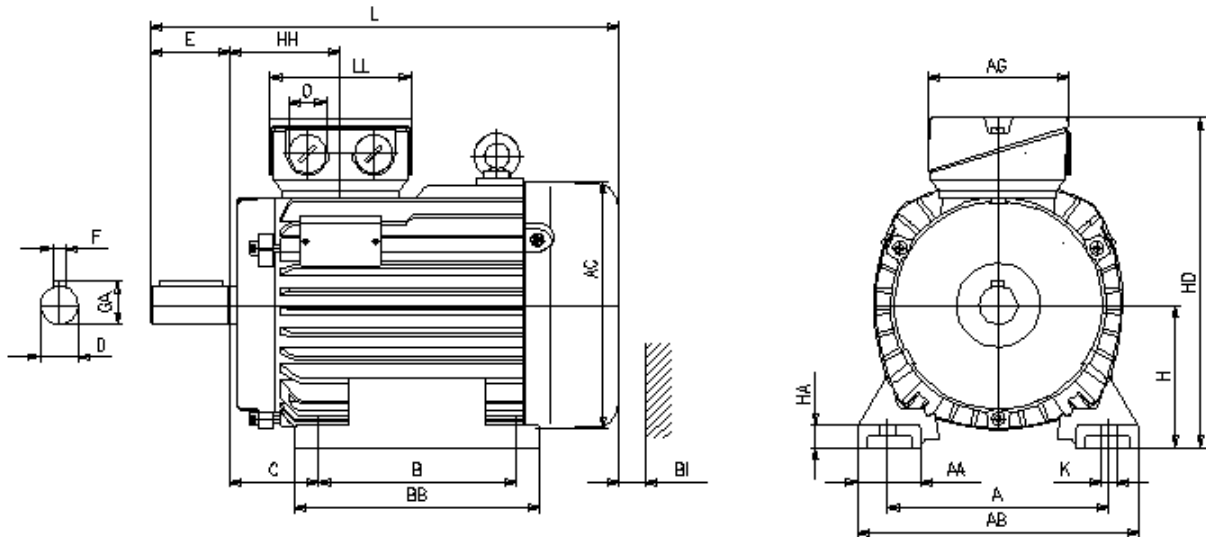
IE3-W41R 112 MY2

Mounting position



Type of mounting: IM B3
Flange: -
Position of terminal box: on the top
Brake type:
Forced-ventilation:

Terminal box: KA 05
Cable gland O: 1 xSealing plug



Motor

A	AA	AB	AC	AD	B	B'	BA	BA'	BB	C	CA	K	K'
190	52	225	196	-	140	-	-	-	180	70	-	12	12

Terminal box

L	LC	H	HA	HD	HH	BI	AG	LL	BE	AH
391	-	112	18	248	77	20	92	92	-	-

Flange

P	N	LA	M	T	S
-	-	-	-	-	-

Tolerances

H	N	D	DA
-0,5	j6	k6	k6

Shaft-DS

D	E	GA	F	DB
28	60	31	8	DIN 332 DS- M10

Shaft-NS

DA	EA	GC	FA
-	-	-	-

DB...Centre hole

Delivery conditions and/or official regulations: IEC / EN 60034-1

This document was produced electronically, all specifications are valid only after confirmation of the manufacturer