

Dimensional sheet



28.04.2015 MADE WITH VERSION: 7.80

Manufacturer

Customer

VEM motors GmbH
Carl-Friedrich-Gauß-Straße 1

38855 WERNIGERODE
Deutschland

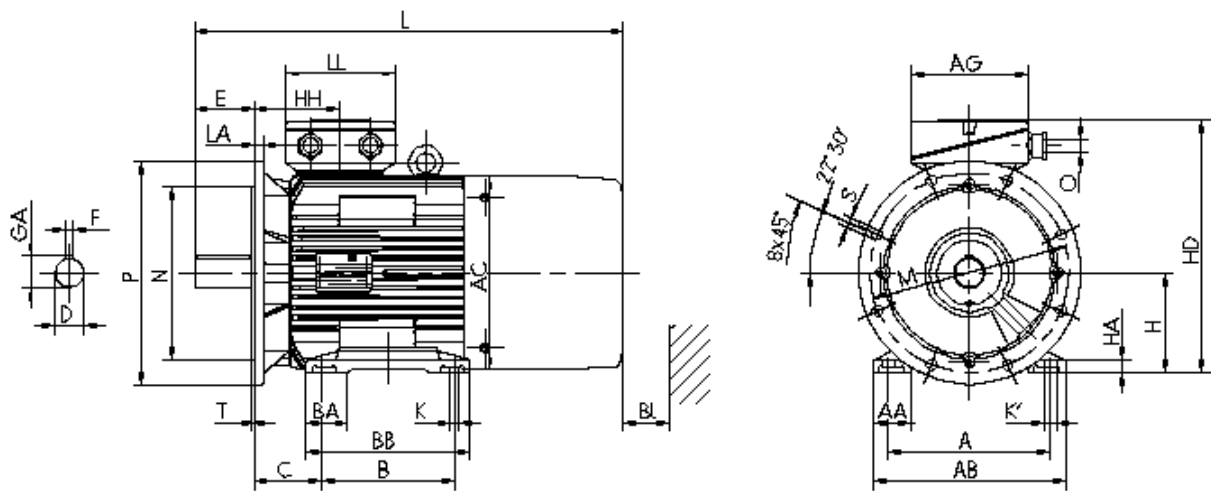
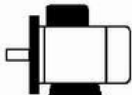
Three-phase motor with squirrel cage rotor, brake motors
 brake type Stromag

B21R 250 M4 SMG TPM HW

Mounting position

Type of mounting: IM B35
 Flange: FF 500[A 550]
 Position of terminal box: on the top
 Brake type: 4BZFM 63

Terminal box: KK 200 A



Motor

A	AA	AB	AC	AD	B	B'	BA	BA'	BB	C	CA	K	K'
406	84	471	440	-	349	-	84	-	412	168	-	24	30

Terminal box

L	LC	H	HA	HD	HH	BI	AG	LL	BE	AH
1120	-	250	28	608	177	45	282	242	-	-

Flange

P	N	LA	M	T	S
550	450	18	500	5	18

Tolerances

H	N	D	DA
-0,5	h6	m6	m6

Shaft-DS

D	E	GA	F	DB
65	140	69	18	DIN 332-DS M20

Shaft-NS

DA	EA	GC	FA
-	-	-	-

DB...Centre hole

Delivery conditions and/or official regulations: IEC / EN 60034-1

This document was produced electronically, all specifications are valid only after confirmation of the manufacturer