



Manufacturer

Customer

VEM motors GmbH - Werk Wernigerode
Carl-Friedrich-Gauß-Straße 1

38855 WERNIGERODE
Deutschland

Three-phase motors with squirrel cage rotor,
Housing grey cast iron

Type	IE3-W45R 280 S2	KR	TPM	NS	LL	IL	HW
Design output	(kW)	110					
Design torque	(Nm)	353					
Class IE	[-]	IE3-95,2%					
Efficiency determination		EN 60034-2-1					
Duty type		S1					
Design frequency	(Hz)	50					
Design speed	[rpm]	2970					
Voltage	(V)	400/690					
Connection	[-]	D				Y	
Current	[A]	187.0				108.4	
Relative pull-in current	[-]	10					
Relative starting torque	[-]	1,9					
Relative pull-up torque	[-]	1,7					
Relative pull-out torque	[-]	3					
Efficiency100/75/50 %	[%]		95,2 / 94,5 / 93,5				
Power factor	[-]	0,89					
Th. cl.		155(F/B)					
Coolant temperature	(°C)	-20°C...+40°C					
Altitude above sea level	(m)	1000m					
Degree of protection IP		IP55					
Moment of inertia	(kgm ²)	1,21					
Motor weight	(kg)	750					
Bearing, D-side		6316 C3					
Bearing, N-side		6316 MC3 VL0241					
Relubrication interval	(h)	2000					
Grease type		ASONIC GHY 72					
Grease amount	[cm ³]	52/52					
A-sound pressure level	(dB)	75					

Options

Type of mounting	IM B35
Flange	FF 500[A 550]
Terminal box	Standard
Position of terminal box	on the right-hand side
Cable gland	Sealing plug
Position of cable entry	right
Shaft	Standard, 1 shaft end
Bearing	Relubrication device, easybearing arrangement
Special details to bearings	Fixed bearing, N-side Insulated bearing, N-side
Winding protection	1 set ptc resistors
Limit values to vibration velocity	Class A Balancing with half key
Colour system	01 Moderate (KK C2),RAL 7031 blue-grey
Delivery conditions and/or official regulations:	IEC / EN 60034-1

This document was produced electronically, all specifications are valid only after confirmation of the manufacturer

Data sheet

04.11.2022 MADE WITH VEM EKAT 2022



Three-phase motors with squirrel cage rotor,
Housing grey cast iron

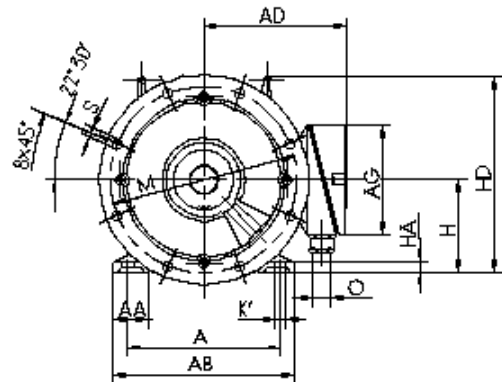
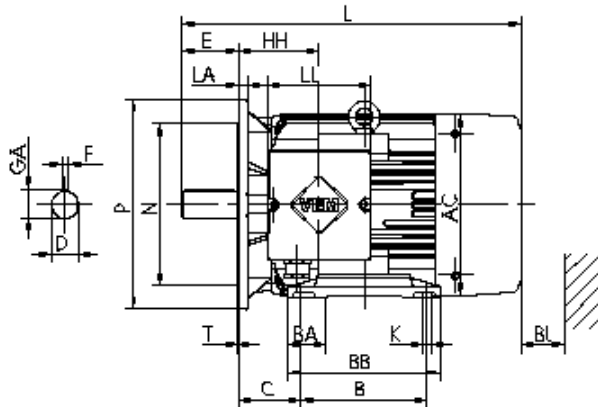
IE3-W45R 280 S2 KR TPM NS LL IL HW

Mounting position



Type of mounting: IM B35
Flange: FF 500[A 550]
Position of terminal box: on the right-hand side
Brake type:
Forced-ventilation:

Terminal box: KK 200 A
Cable gland O: 1 xSealing plug



Motor

A	AA	AB	AC	AD	B	B'	BA	BA'	BB	C	CA	K	K'		
457	94	522	550	416	368		94	-	431	190	-	24	30		
												Protection cover		Terminal box	
L	LC	H	HA	HD	HH	BI	L	AG	LL	BE	AH				
1050	-	280	40	575	211	100	-	282	242	-	-				

Flange

P	N	LA	M	T	S	Tolerances							
550	450	18	500	5	18	H	N	D	DA				
						-1	h6	m6	m6				

Shaft-DS

D	E	GA	F	DB
65	140	69	18	DIN 332 DS- M20

Shaft-NS

DA	EA	GC	FA
-	-	-	-

DB...Centre hole

Delivery conditions and/or official regulations: IEC / EN 60034-1

This document was produced electronically, all specifications are valid only after confirmation of the manufacturer