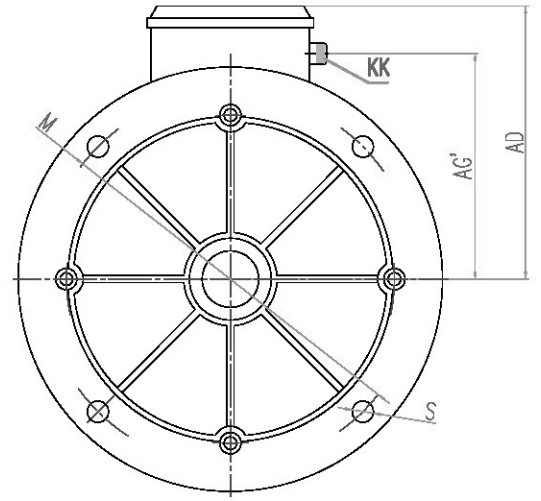
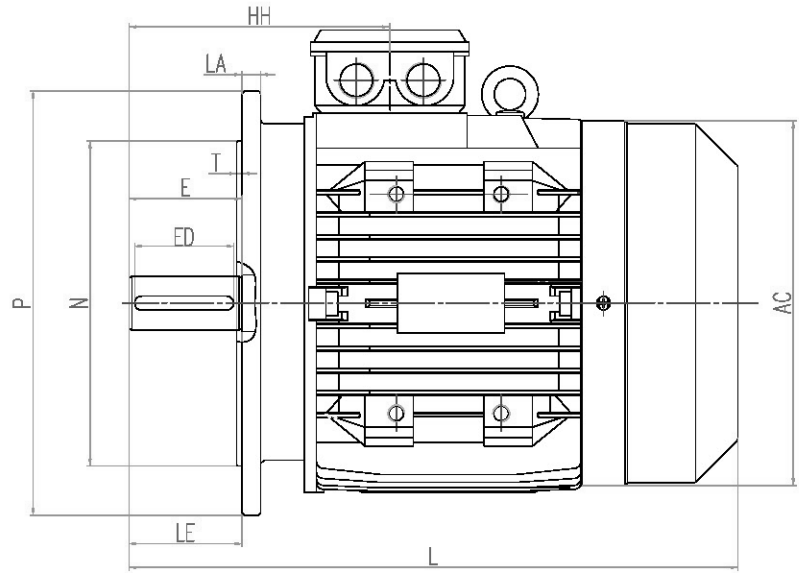
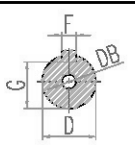


FRAME	KW
MS132S1-2	5.5
MS132S2-2	7.5
MS132S-4	5.5
MS132S-6	3
MS132S-8	2.2
EMS132S1-2	5.5
EMS132S2-2	7.5
EMS132S-4	5.5
EMS132S-6	3



CLIENT:	FRAME	KW	RPM
	VOLTS		
	132S		

OUTLINE DIMENSIONS FLANGE MOUNTED MOTORS

SHAFT EXT.DE ONLY

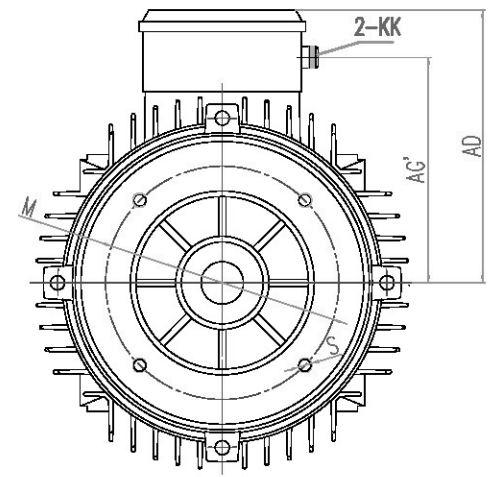
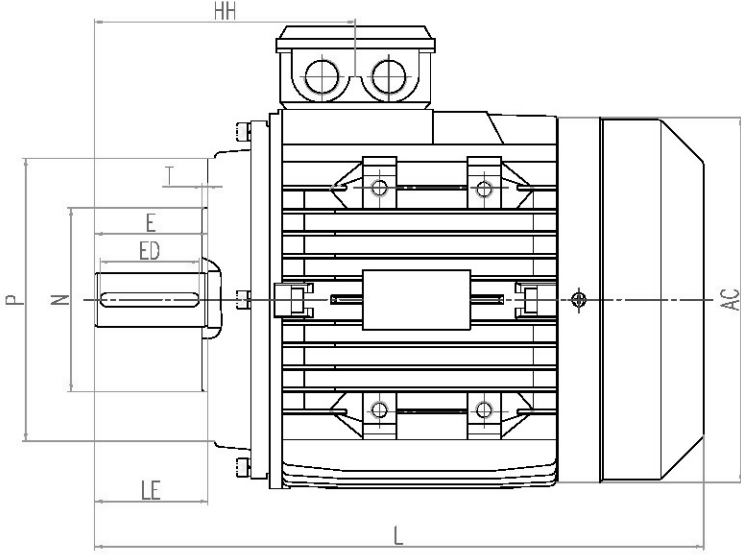
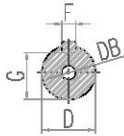
AC	AD	AG'	KK	L	LA	HH	LE	M	N	P	S	T				D	DB	E	ED	F	G								
φ270	193	159.5	2-M25x1.5	431	13	184.5	80	φ265	φ230	φ300	4-φ15	4				φ38	M12x28	80	70	10	33								

CUSTOMER APPROVAL _____
 SIGNATURE DATE

132S B5 DIMENSION OUTLINE		DATE	CHECKED BY
		DESIGNED BY	APPROVED BY
ISSUE	DATE	CERTIFIED BY	
ISSUE	DATE	CERTIFIED BY	
ISSUE	DATE	CERTIFIED BY	
ISSUE	DATE	CERTIFIED BY	



FRAME	KW
MS132S1-2	5.5
MS132S2-2	7.5
MS132S-4	5.5
MS132S-6	3
MS132S-8	2.2
EMS132S1-2	5.5
EMS132S2-2	7.5
EMS132S-4	5.5
EMS132S-6	3



CLIENT:	FRAME	KW	RPM
	132S		
	VOLTS		

OUTLINE DIMENSIONS FLANGE MOUNTED MOTORS

SHAFT EXT.DE ONLY

AC	AD	AG'	KK	L	HH	LE	M	N	P	S	T					D	DB	E	ED	F	G								
φ270	193	159.5	M25×1.5	431	184.5	80	φ165	φ130	φ200	4-M10	3.5					φ38	M12×28	80	70	10	33								

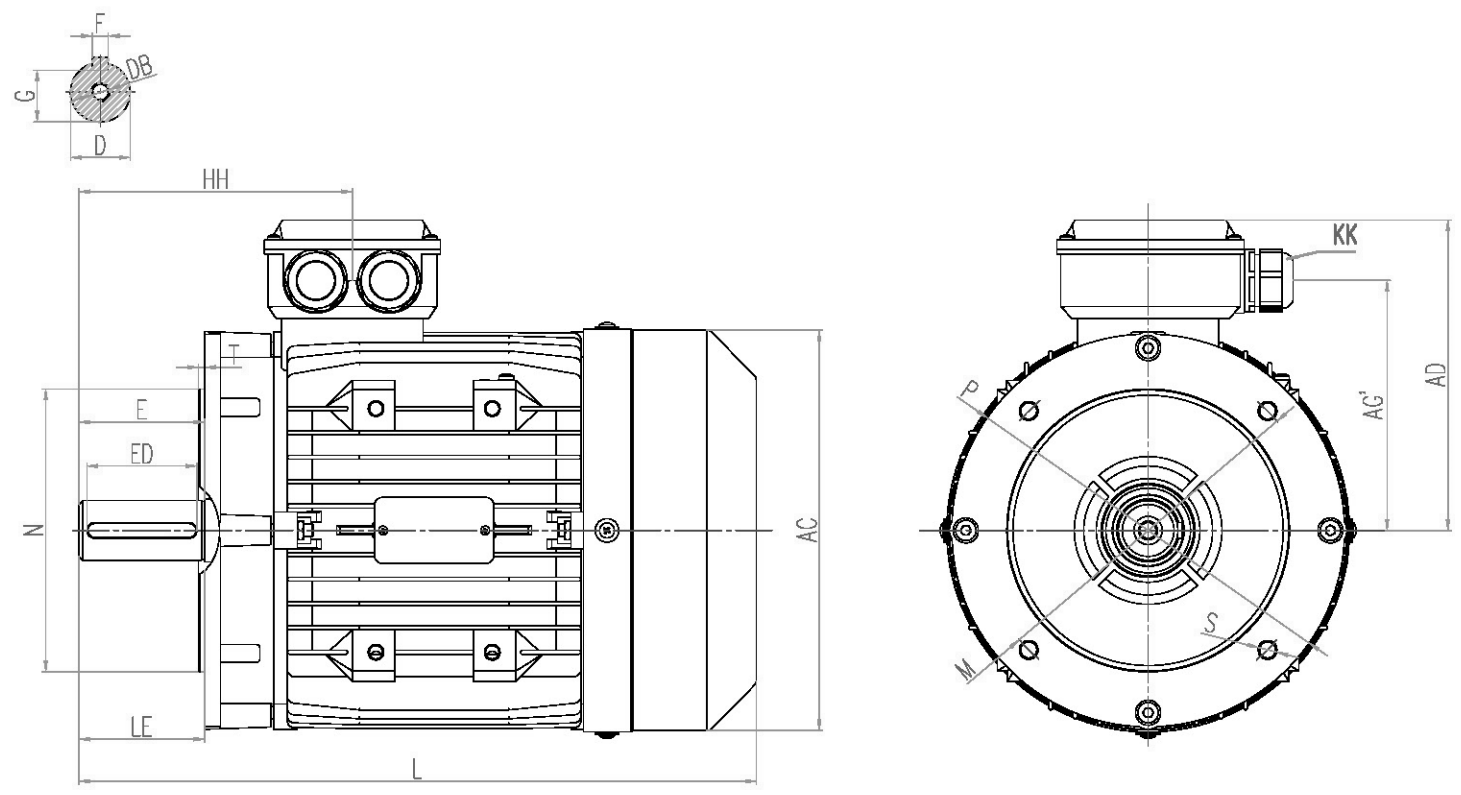
CUSTOMER APPROVAL _____
SIGNATURE DATE

132S B14A
DIMENSION OUTLINE

DATE		CHECKED BY
DESIGNED BY		APPROVED BY
ISSUE	DATE	CERTIFIED BY
ISSUE	DATE	CERTIFIED BY
ISSUE	DATE	CERTIFIED BY
ISSUE	DATE	CERTIFIED BY



FRAME	KW
MS132S1-2	5.5
MS132S2-2	7.5
MS132S-4	5.5
MS132S-6	3
MS132S-8	2.2
EMS132S1-2	5.5
EMS132S2-2	7.5
EMS132S-4	5.5
EMS132S-6	3



CLIENT:	FRAME	132S	KW	RPM
	VOLTS			

OUTLINE DIMENSIONS FLANGE MOUNTED MOTORS

SHAFT EXT.DE ONLY

AC	AD	AG'	KK	L	HH	LE			M	N	P	S	T				D	DB	E	ED	F	G								
φ270	193	159.5	2-M25x1.5	431	184.5	80			φ215	φ180	φ250	4-M12	4				φ38	M12x28	80	70	10	33								

CUSTOMER APPROVAL _____
 SIGNATURE DATE

132S B14B
 DIMENSION OUTLINE



DATE		CHECKED BY
DESIGNED BY		APPROVED BY
ISSUE	DATE	CERTIFIED BY
ISSUE	DATE	CERTIFIED BY
ISSUE	DATE	CERTIFIED BY
ISSUE	DATE	CERTIFIED BY