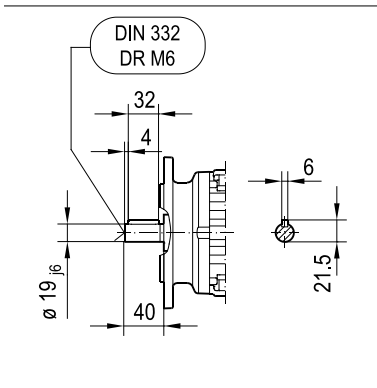
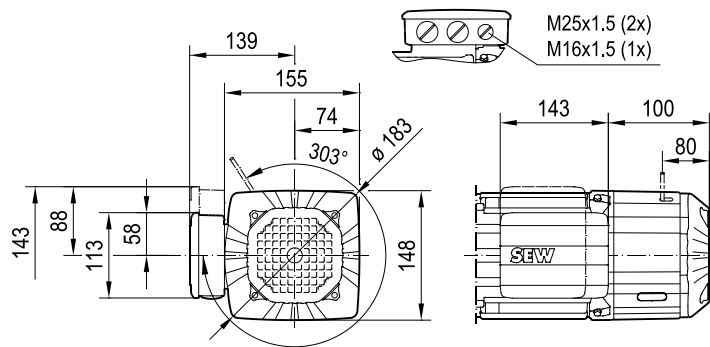
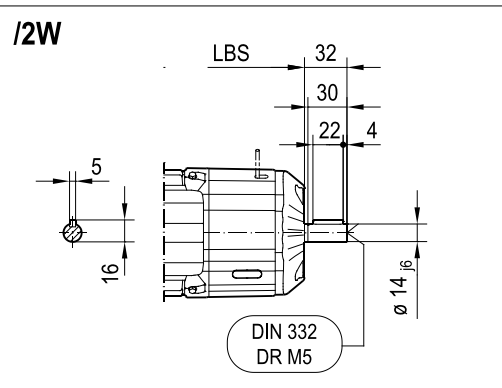


DRN80MK 4,6,8 BE  
 DR2S80MK 4,6 BE  
 DR2L80MK 4 BE  
 DRN80MS 2 BE  
 DR2S80MS 8/2,8/4 BE  
 DRN80M 2,4,8 BE

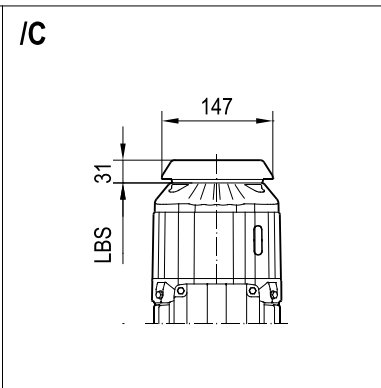
09 112 02 18  
 1(2)



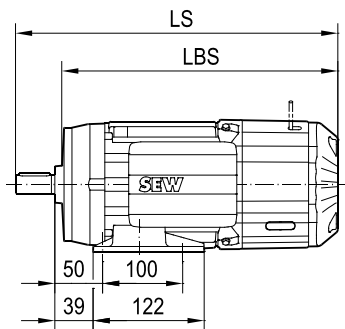
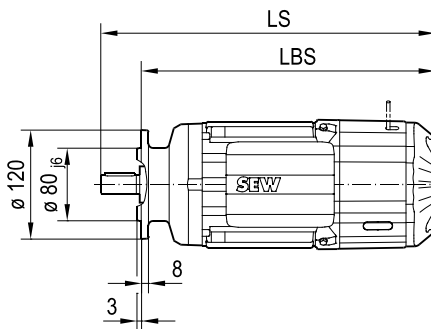
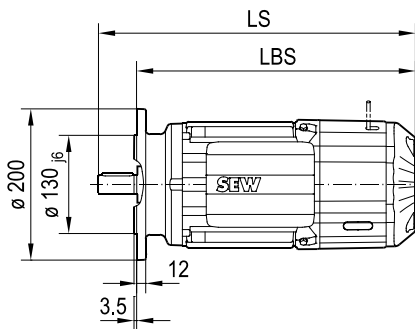
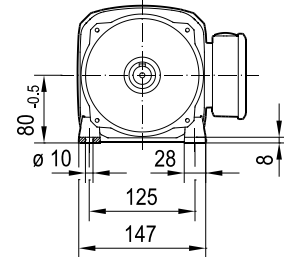
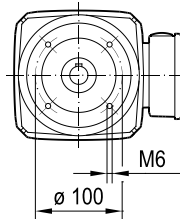
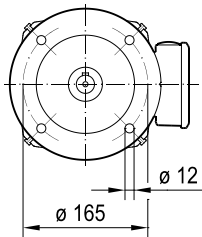
/FF (B5) FF165D200



/FT (B14) FT100D120

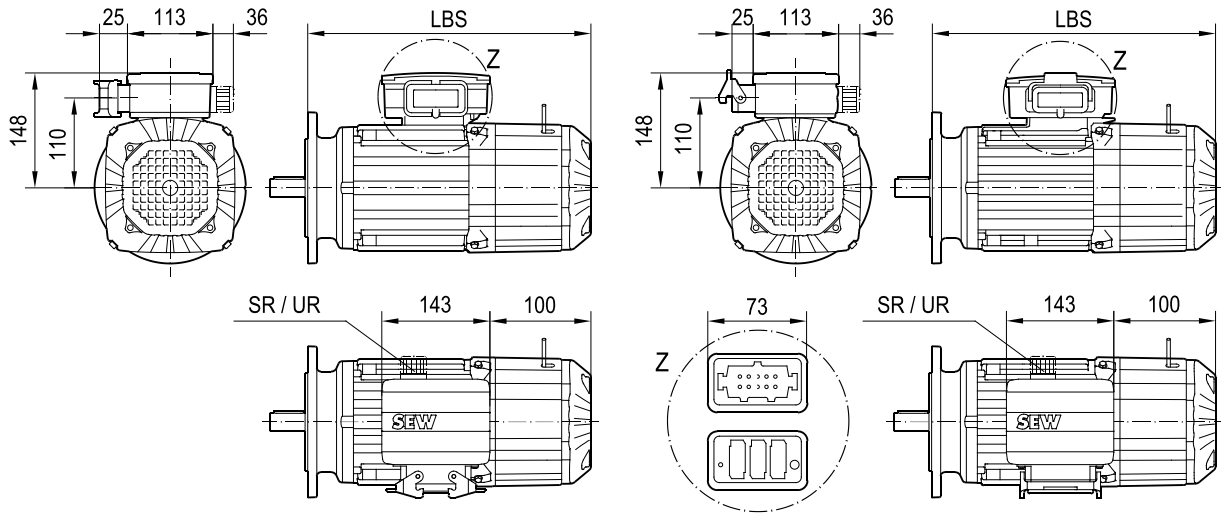


/FI (B3)

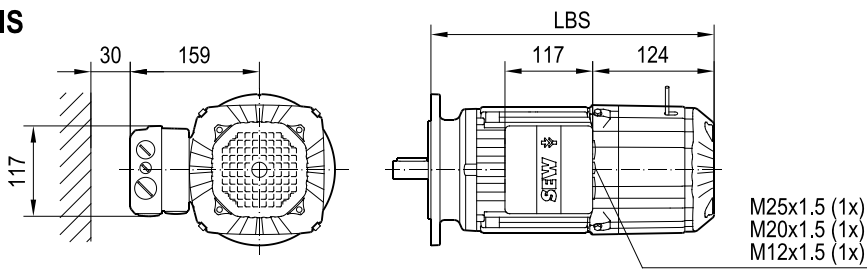


(→)	80MK	80MS	80M				
LS	362	380	408				
LBS (B5/B14)	322	340	368				
LBS (B3)	320	338	366				

/IV



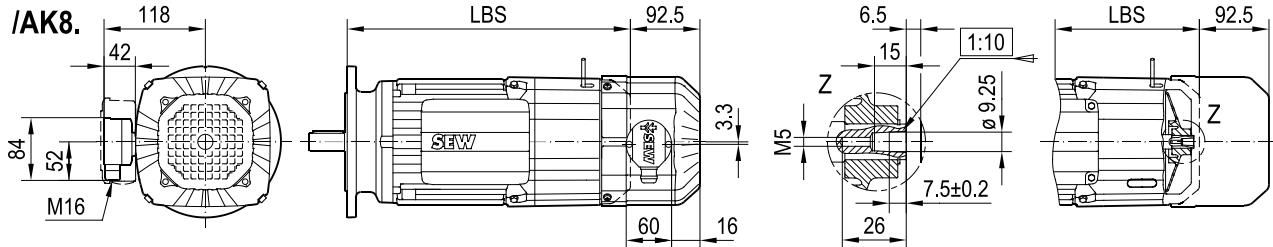
/IS



/EK8.

/AK8.

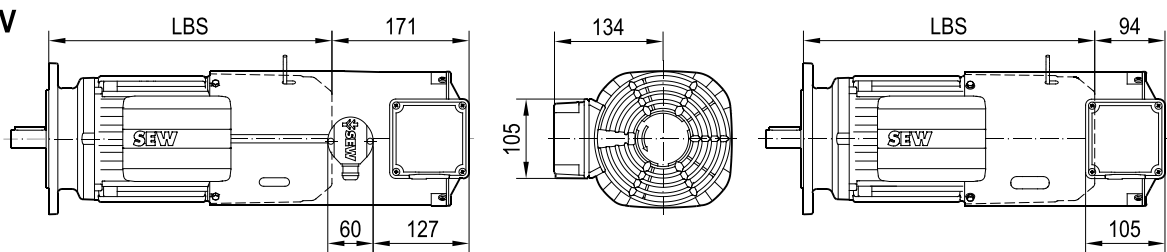
/EK8A



/EK8./V

/AK8./V

/V



(→)	80MK	80MS	80M				
LS	362	380	408				
LBS (B5/B14)	322	340	368				
LBS (B3)	320	338	366				