



Manufacturer

Customer

VEM motors GmbH - Werk Wernigerode
Carl-Friedrich-Gauß-Straße 1

38855 WERNIGERODE
Deutschland

Three-phase motors with squirrel cage rotor,
Housing grey cast iron

| | | | |
|--------------------------|-----------------------|---------------|------------------|
| Type | IE3-W41R 315 S4 PT HW | | |
| Design output | (kW) | 110 | |
| Design torque | (Nm) | 706 | |
| Class IE | [-] | IE3-95,4% | |
| Efficiency determination | EN 60034-2-1 | | |
| Duty type | | S1 | |
| Design frequency | (Hz) | 50 | |
| Design speed | [rpm] | 1487 | |
| Voltage | (V) | 400/690 | |
| Connection | [-] | D | Y |
| Current | [A] | 203.0 | 117.7 |
| Relative pull-in current | [-] | 9,5 | |
| Relative starting torque | [-] | 1,9 | |
| Relative pull-up torque | [-] | 1,7 | |
| Relative pull-out torque | [-] | 2,7 | |
| Efficiency100/75/50 % | [%] | | 95,4 / 95 / 94,3 |
| Power factor | [-] | 0,82 | |
| Th. cl. | | 155(F/B) | |
| Coolant temperature | (°C) | -20°C...+40°C | |
| Altitude above sea level | (m) | 1000m | |
| Degree of protection IP | | IP55 | |
| Moment of inertia | (kgm ²) | 1,96 | |
| Motor weight | (kg) | 760 | |
| Bearing, D-side | | 6317 C3 | |
| Bearing, N-side | | 6316 C3 | |
| Relubrication interval | (h) | | |
| Grease type | | ASONIC GHY 72 | |
| Grease amount | [cm ³] | | |
| A-sound pressure level | (dB) | 68 | |

Options

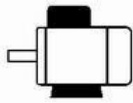
| | |
|--|--|
| Type of mounting | IM B3 |
| Flange | - |
| Terminal box | Standard |
| Position of terminal box | on the top |
| Cable gland | Sealing plug |
| Position of cable entry | right |
| Shaft | Standard, 1 shaft end |
| Bearing | Easy bearing arrangement |
| Special details to bearings | Fixed bearing, N-side prepared for SPM without nipple |
| Bearing monitoring | PT100 D+N-side |
| Winding protection | Pt 100 (2 wires connection) |
| Limit values to vibration velocity | Class A |
| Colour system | Balancing with half key |
| Delivery conditions and/or official regulations: | 01 Moderate (KK C2),RAL 7031 blue-grey IEC / EN 60034-1 |

This document was produced electronically, all specifications are valid only after confirmation of the manufacturer

Three-phase motors with squirrel cage rotor,
Housing grey cast iron

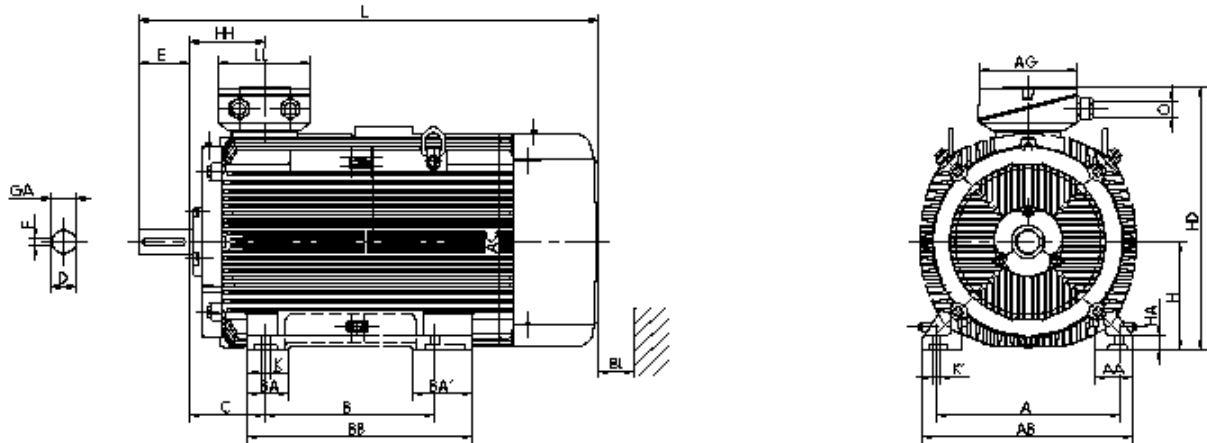
IE3-W41R 315 S4 PT HW

Mounting position



Type of mounting: IM B3
Flange: -
Position of terminal box: on the top
Brake type:
Forced-ventilation:

Terminal box: KK 200 A
Cable gland O: 1 xSealing plug



| Motor | | | | | | | | | | | | | |
|------------------|-----|-----|-----|-----------------|----------|-----|-----|-----|-----|------------|----|--------------|----|
| A | AA | AB | AC | AD | B | B' | BA | BA' | BB | C | CA | K | K' |
| 508 | 126 | 590 | 550 | - | 406 | | 120 | - | 503 | 216 | - | 28 | 35 |
| Protection cover | | | | | | | | | | | | Terminal box | |
| L | LC | H | HA | HD | HH | BI | L | AG | LL | BE | AH | | |
| 1080 | - | 315 | 44 | 731 | 211 | 100 | - | 282 | 242 | - | - | | |
| Flange | | | | | | | | | | Tolerances | | | |
| P | N | LA | M | T | S | | | H | N | D | DA | | |
| - | - | - | - | - | - | | | -1 | h6 | m6 | m6 | | |
| Shaft-DS | | | | | Shaft-NS | | | | | | | | |
| D | E | GA | F | DB | DA | EA | GC | FA | | | | | |
| 80 | 170 | 85 | 22 | DIN 332 DS- M20 | - | - | - | - | | | | | |

DB...Centre hole

Delivery conditions and/or official regulations: IEC / EN 60034-1

This document was produced electronically, all specifications are valid only after confirmation of the manufacturer