



Manufacturer

Customer

VEM motors GmbH
Carl-Friedrich-Gauß-Straße 1

38855 WERNIGERODE
Deutschland

Three-phase motors with squirrel cage rotor,
Housing grey cast iron

Type	IE3-B41R 132 S4 SMG HW		
Design output	(kW)	5,5	
Design torque	(Nm)	35	
Class IE	(-)	IE3-91%	
Efficiency determination	EN 60034-2-1		
Duty type		S1	
Design frequency	(Hz)	50	
Design speed	[rpm]	1480	
Voltage	(V)	500	
Connection	(-)	Y	Y
Current	(A)	9.6	9.6
Relative pull-in current	(-)	9,9	
Relative starting torque	(-)	3,4	
Relative pull-out torque	(-)	5,4	
Efficiency100/75/50 %	(%)		91 / 90,2 / 87,8
Power factor	(-)	0,73	
Th. cl.		155(F/B)	
Coolant temperature	(°C)	-20°C...+40°C	
Altitude above sea level	(m)	1000m	
Degree of protection IP		IP55	
Moment of inertia	(kgm ²)	0,0357	
Motor weight	(kg)	100	
Bearing, D-side		6308 ZZ C3	
Bearing, N-side		6308 ZZ C3	
Relubrication interval	(h)		
Grease type		ASONIC GHY 72	
Grease amount	(g)		
A-sound pressure level	(dB)	56	
Brake type		BZFM V7	6,3
Brake torque	(Nm)	65	
Relative brake torque	(-)	1,9	

Options

Type of mounting	IMB5
Flange:	FF 265[A 300]
Terminal box	Standard
Position of terminal box	on the top
Cable gland	Sealing plug
Position of cable entry	right
Shaft	Standard
Bearing	Easy bearing arrangement
Special details to bearings	Fixed bearing, N-side
Limit values to vibration velocity	Class A
	Balancing with half key
Colour system	01 Moderate (KK C2),RAL 7031 blue-grey
Brake type	Stromag

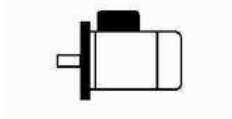
Delivery conditions and/or official regulations: IEC / EN 60034-1

This document was produced electronically, all specifications are valid only after confirmation of the manufacturer

Three-phase motors with squirrel cage rotor,
Housing grey cast iron

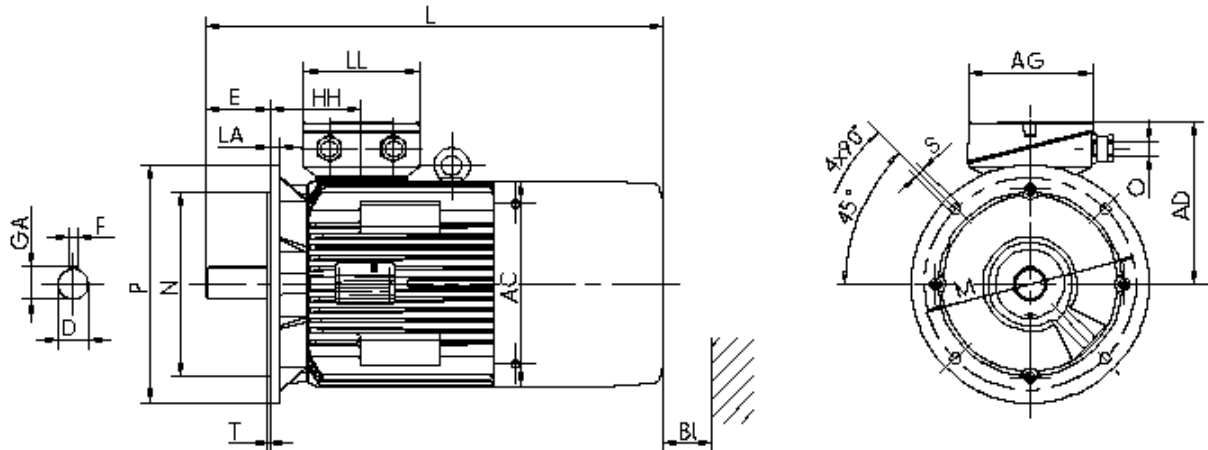
IE3-B41R 132 S4 SMG HW

Mounting position



Type of mounting: IMB5
Flange: FF 265[A 300]
Position of terminal box: on the top
Brake type: BZFM V7 6,3
Forced-ventilation:

Terminal box: KK 25 A
Cable gland O: 1 xSealing plug



Motor

A	AA	AB	AC	AD	B	B'	BA	BA'	BB	C	CA	K	K'
-	-	-	258	199	-	-	-	-	-	-	-	-	-
L	LC	H	HA	HD	HH	BI	Terminal box						
644	-	132	-	-	114	35	AG	LL	BE	AH			
							156	145	-	-			

Flange

P	N	LA	M	T	S	Tolerances							
300	230	12	265	4	14	H	N	D	DA				
						-0,5	j6	k6	k6				

Shaft-DS

D	E	GA	F	DB
38	80	41	10	DIN 332 DS- M12

Shaft-NS

DA	EA	GC	FA
-	-	-	-

DB...Centre hole

Delivery conditions and/or official regulations: IEC / EN 60034-1

This document was produced electronically, all specifications are valid only after confirmation of the manufacturer