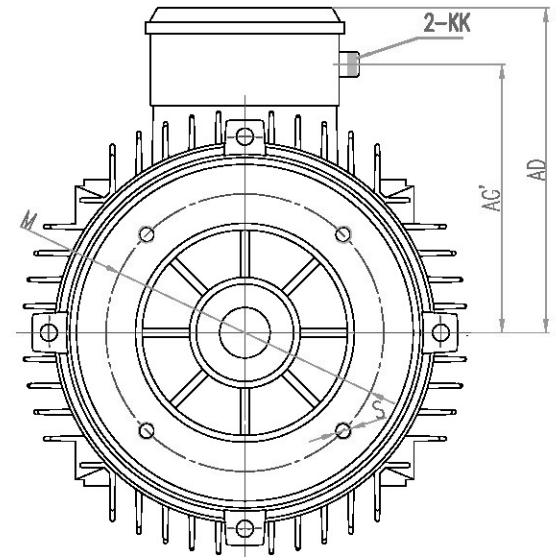
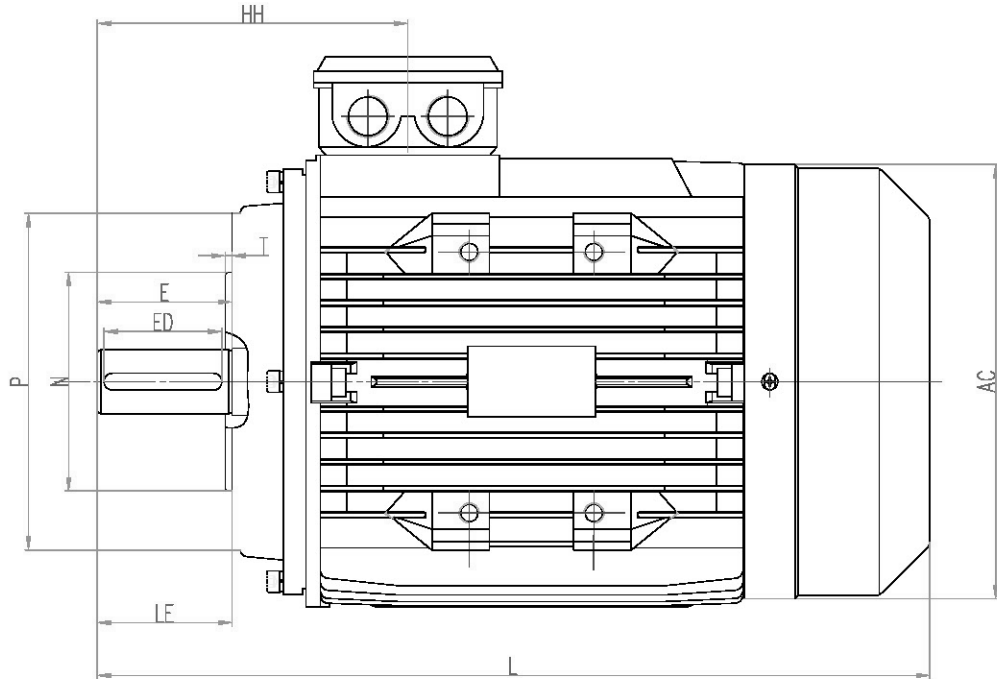
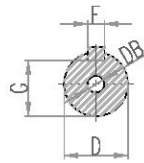


FRAME	KW
MS112M-2	4
MS112L-2	5.5
MS112M1-4	4
MS112L-4	5.5
MS112M-6	2.2
MS112M-8	1.5
EMS112M-2	4
EMS112M2-2	5.5
EMS112M-4	4
EMS112M-6	2.2



CLIENT:	FRAME	VOLTS
	112	
	KW	RPM

OUTLINE DIMENSIONS FLANGE MOUNTED MOTORS

SHAFT EXT.DE ONLY

AC	AD	AG'	KK	L	HH	LE	M	N	P	S	T						D	DB	E	ED	F	G						
φ230	174	135.5	M25×1.5	400	148	60	φ130	φ110	φ160	4-M8	3.5						φ28	M10×22	60	50	8	24						

CUSTOMER APPROVAL _____
SIGNATURE DATE

112 B14A
DIMENSION OUTLINE



DATE		CHECKED BY
DESIGNED BY		APPROVED BY
SSUE	DATE	CERTIFIED BY
SSUE	DATE	CERTIFIED BY
SSUE	DATE	CERTIFIED BY
SSUE	DATE	CERTIFIED BY