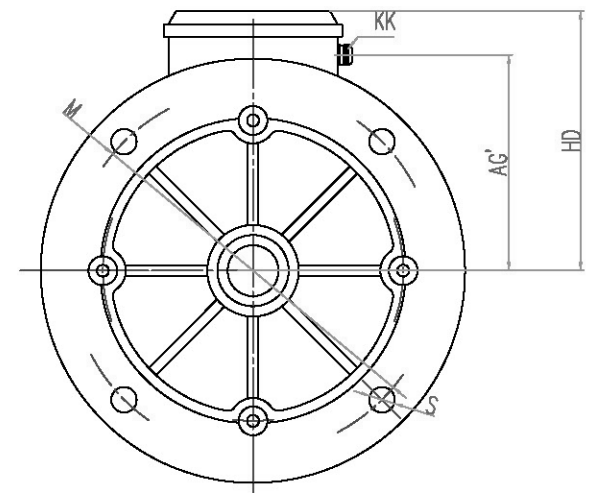
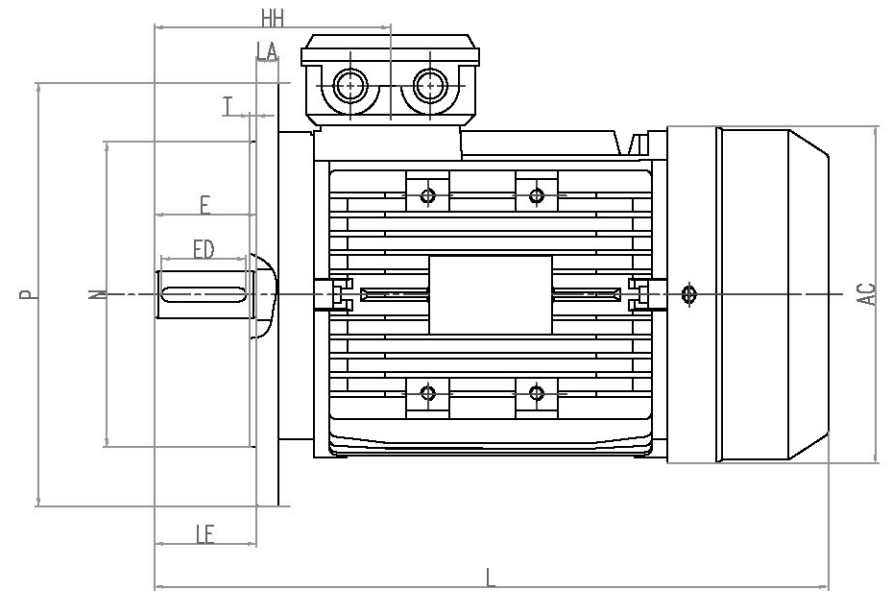
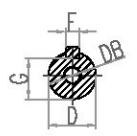


FRAME	KW
MS100L1-2	3
MS100L2-2	4
MS100L1-4	2.2
MS100L2-4	3
MS100L3-4	4
MS100L-6	1.5
MS100L1-8	0.75
MS100L2-8	1.1
EMS100L1-2	3
EMS100L2-2	4
EMS100L1-4	2.2
EMS100L2-4	3
EMS100L3-4	4
EMS100L-6	1.5



CLIENT:	KW	RPM
	100	
	FRAME	VOLTS

OUTLINE DIMENSIONS FLANGE MOUNTED MOTORS

SHAFT EXT.DE ONLY

AC	AD	AG'	KK	L	LA	HH	LE	M	N	P	S	T	D	DB	E	ED	F	G										
φ205	152	122	1-M20X1.5	400	13	139	60	φ215	φ180	φ250	φ15	4.0	φ28	M10x22	60	50	8	24										

CUSTOMER APPROVAL

SIGNATURE

DATE

100 V1/B5  
DIMENSION OUTLINE



DATE	CHECKED BY	
DESIGNED BY	APPROVED BY	
ISSUE	DATE	CERTIFIED BY
ISSUE	DATE	CERTIFIED BY
ISSUE	DATE	CERTIFIED BY
ISSUE	DATE	CERTIFIED BY