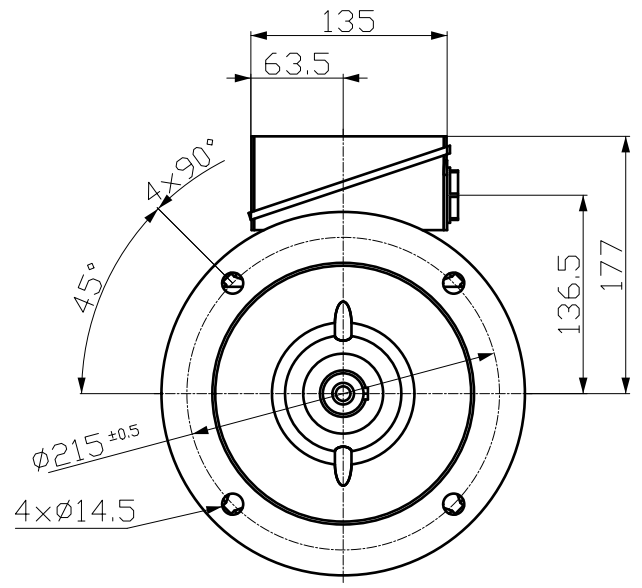
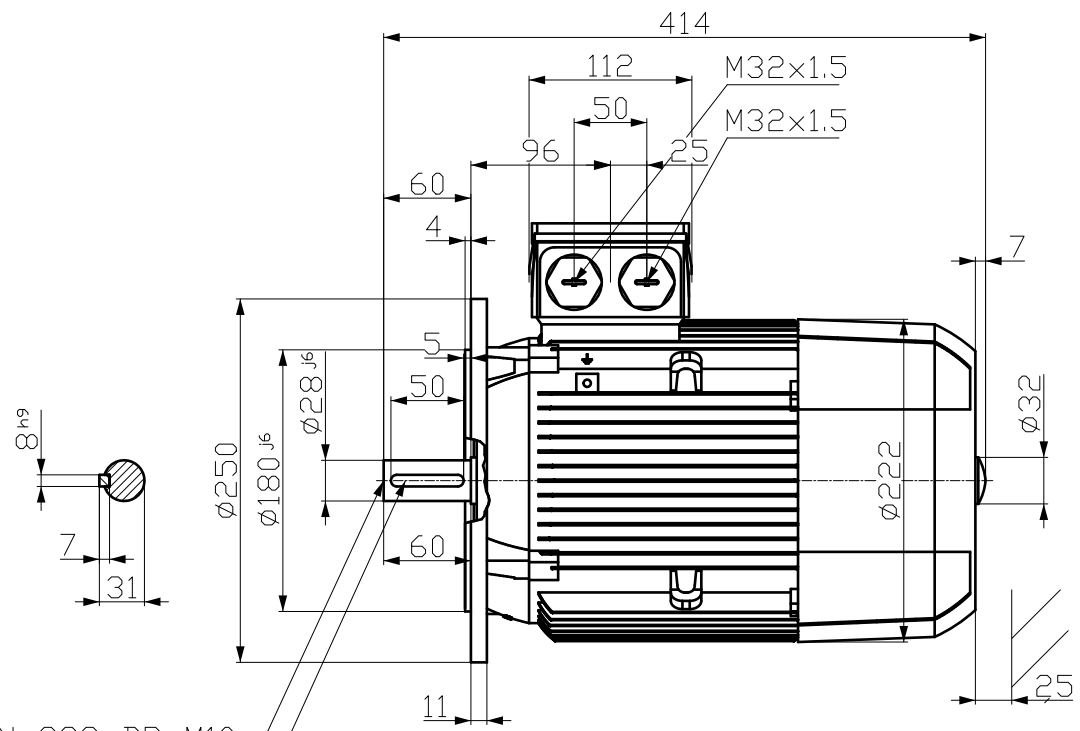


刀线管
 用转为
 文金
 图
 版
 积
 01
 02
 03
 04
 05
 06
 07
 08
 09
 10
 11
 12
 13
 14
 15
 16
 17
 18
 19
 20
 21
 22
 23
 24
 25
 26
 27
 28
 29
 30
 31
 32
 33
 34
 35
 36
 37
 38
 39
 40
 41
 42
 43
 44
 45
 46
 47
 48
 49
 50
 51
 52
 53
 54
 55
 56
 57
 58
 59
 60
 61
 62
 63
 64
 65
 66
 67
 68
 69
 70
 71
 72
 73
 74
 75
 76
 77
 78
 79
 80
 81
 82
 83
 84
 85
 86
 87
 88
 89
 90
 91
 92
 93
 94
 95
 96
 97
 98
 99
 100



DIN 332-DR M10
 DIN 6885-1

Tolerance	Surface	Material	Weight	Scale
F50			E	{ { }
Author	Creator	Approval	ÖVS	
		Department	T a : ^ & @ } *	
Change Order	Doc. State	Item No	MFB	Doc Type
	G 0 F B H			
Revision	Index	Doc No	1st Language	2nd Language
RS			^ }	â ^
Project No	E	Ref No	E	Sheet F of F
SIEMENS		© INNOVOTICS 2023		

V & @ a & @ A) a V) * ^) A [i a @ a n) A
 V & @ B e y / a z a z e ^ A * a b 8 a / & @ * ^ A