



Manufacturer

Customer

VEM motors Thurm GmbH
Äußere Dresdener Str. 35

08066 ZWICKAU
Deutschland

**Three-phase motors with squirrel cage rotor,
Housing grey cast iron**

| | | | |
|--------------------------|----------------------|--------------------|-----|
| Type | IE3-W41R 80 G4 | | |
| Design output | (kW) | 0,75 | |
| Design torque | (Nm) | 5 | |
| Class IE | (-) | IE3-82,5% | |
| Efficiency determination | | EN 60034-2-1 | |
| Duty type | | S1 | |
| Design frequency | (Hz) | 50 | |
| Design speed | [rpm] | 1445 | |
| Voltage | (V) | 400/690 | |
| Connection | (-) | D | Y |
| Current | (A) | 1.7 | 1.0 |
| Relative pull-in current | (-) | 7 | |
| Relative starting torque | (-) | 3,1 | |
| Relative pull-out torque | (-) | 3,7 | |
| Efficiency100/75/50 % | (%) | 82,5 / 82,3 / 79,6 | |
| Power factor | (-) | 0,77 | |
| Th. cl. | | 155(F/B) | |
| Coolant temperature | (°C) | -20°C...+40°C | |
| Altitude above sea level | (m) | 1000m | |
| Degree of protection IP | | IP55 | |
| Moment of inertia | (kgm ²) | 0,0026 | |
| Motor weight | (kg) | 17 | |
| Bearing, D-side | | 6205 2Z C3 | |
| Bearing, N-side | | 6205 2Z C3 | |
| Relubrication interval | (h) | | |
| Grease type | | Asonic GLY 32 | |
| Grease amount | (g) | | |
| A-sound pressure level | (dB) | a.A. | |

Options

| | |
|------------------------------------|---|
| Type of mounting | IMB5 |
| Flange: | FF 165[A 200] |
| Terminal box | Standard |
| Position of terminal box | on the top |
| Cable gland | Sealing plug |
| Position of cable entry | right |
| Shaft | Standard |
| Bearing | Easy bearing arrangement |
| Special details to bearings | none |
| Bearing monitoring | none |
| Anti-condensation heating | none |
| Limit values to vibration velocity | Class A |
| Colour system | Balancing with half key 01 Moderate (KK C2),RAL 7031 blue-grey,60 µm |

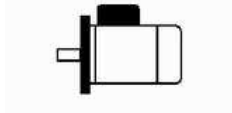
Delivery conditions and/or official regulations: IEC / EN 60034-1
Special customer specifications without

This document was produced electronically, all specifications are valid only after confirmation of the manufacturer

Three-phase motors with squirrel cage rotor,
Housing grey cast iron

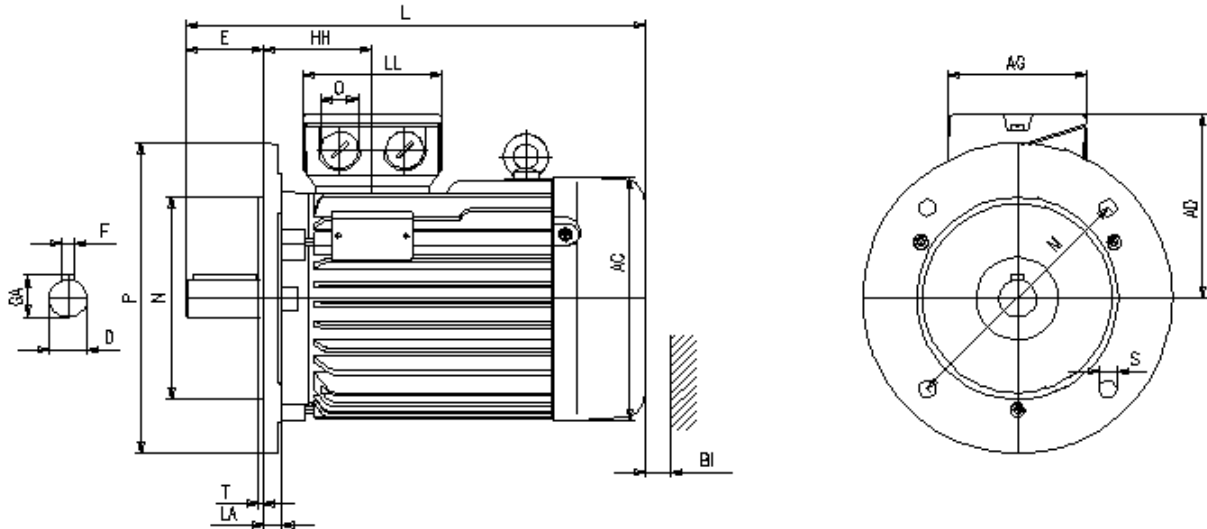
IE3-W41R 80 G4

Mounting position



Type of mounting: IMB5
Flange: FF 165[A 200]
Position of terminal box: on the top
Brake type:
Forced-ventilation:

Terminal box: KA 05
Cable gland O: 1 xSealing plug



Motor

| | | | | | | | | | | | | | |
|---|----|----|-----|-----|---|----|----|-----|----|---|----|---|----|
| A | AA | AB | AC | AD | B | B' | BA | BA' | BB | C | CA | K | K' |
| - | - | - | 157 | 120 | - | - | - | - | - | - | - | - | - |

Terminal box

| | | | | | | | | | | |
|-----|----|----|----|----|----|----|----|----|----|----|
| L | LC | H | HA | HD | HH | BI | AG | LL | BE | AH |
| 287 | - | 80 | - | - | 70 | 16 | 92 | 92 | - | - |

Flange

| | | | | | | | | | |
|-----|-----|----|-----|-----|----|------|----|----|----|
| P | N | LA | M | T | S | H | N | D | DA |
| 200 | 130 | 10 | 165 | 3,5 | 11 | -0,5 | j6 | k6 | k6 |

Tolerances

Shaft-DS

| | | | | |
|----|----|------|---|-----------------|
| D | E | GA | F | DB |
| 19 | 40 | 21,5 | 6 | DIN 332 DS - M6 |

Shaft-NS

| | | | |
|----|----|----|----|
| DA | EA | GC | FA |
| - | - | - | - |

DB...Centre hole

Delivery conditions and/or official regulations: IEC / EN 60034-1

This document was produced electronically, all specifications are valid only after confirmation of the manufacturer