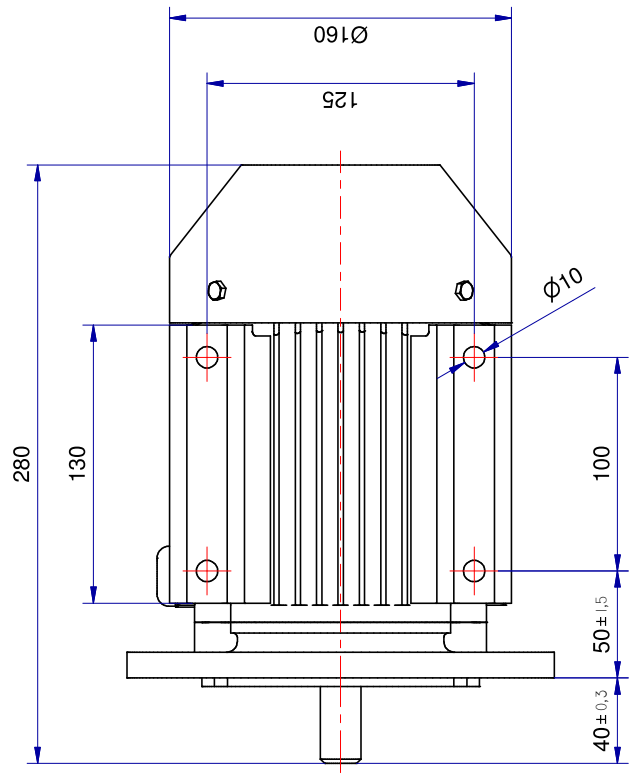
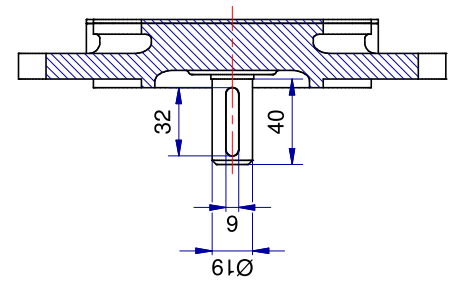


Shaft detail



01-IP55-Cast Iron-IE3-80 B35-2_6

