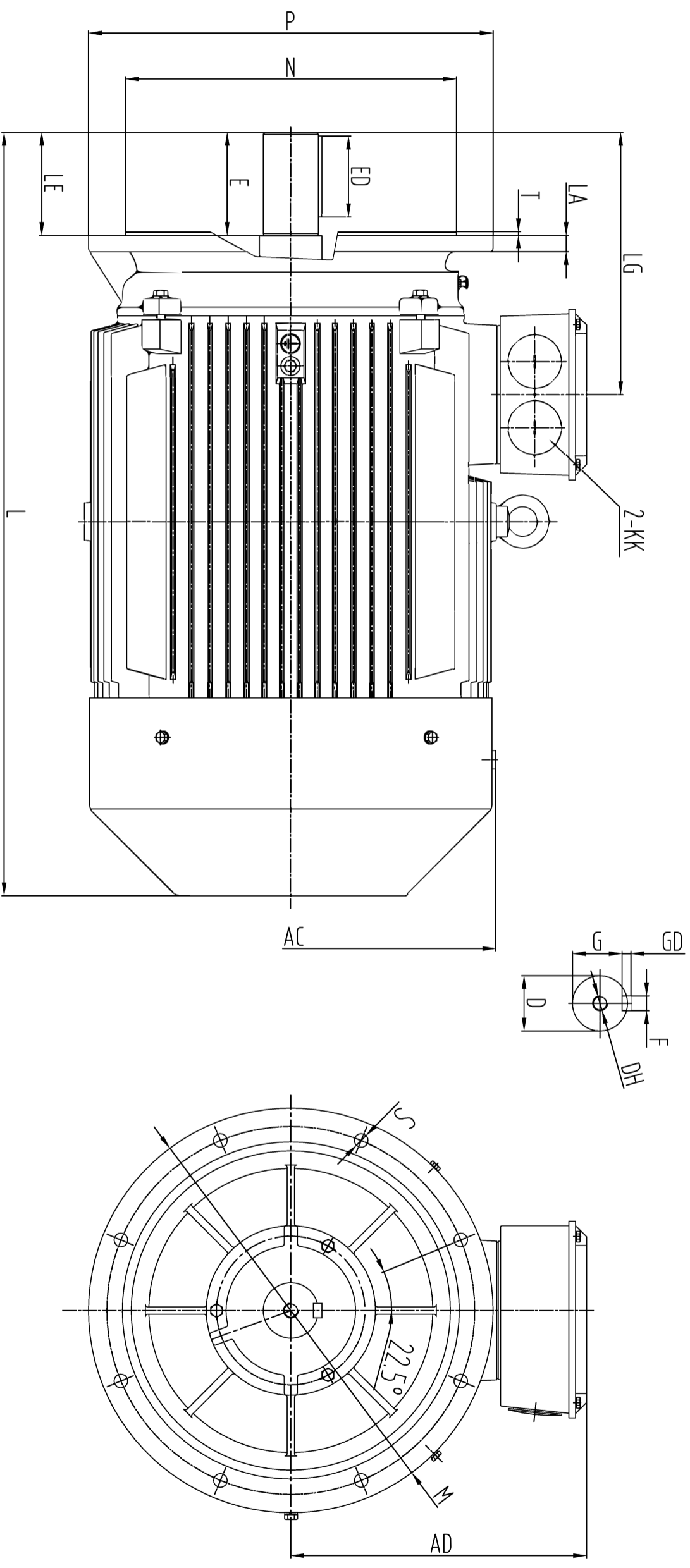


OUTLINE DIMENSIONS FOOT MOUNTED MOTORS

A	AA	AB	AC	HD	B	BB	C	D	E	ED	F	G	GD	H	HA	K	KK	L	LG	DH									
457	105	550	570	695	368(280S)	419(280M)	490(280S)	540(280M)	190	65(280-2P)	75(280-4-6P)	140	100	18(280-2P)	20(280-4-6P)	58(280-2P)	67.5(280-4-6P)	11(280-2P)	12(280-4-6P)	280	35	24	M63X1.5	990(280S-2P)	990(280S-4-6P)	1045(280M-2P)	1045(280M-4-6P)	344	M20X4.2

CUSTOMER APPROVAL _____
 SIGNATURE _____ DATE _____

YE3-280(B3) DIMENSION OUTLINE	DATE		CHK
	DRAWN		APPD
	ISSUE A	DATE	CERTIFIED BY
	ISSUE B	DATE	CERTIFIED BY
	ISSUE C	DATE	CERTIFIED BY
	ISSUE D	DATE	CERTIFIED BY



OUTLINE DIMENSIONS FLANGE MOUNTED MOTORS

AC	AD	D	E	ED	F	G	GD	KK	L	LG	LA	M	N	P	S	T	DH	LE
570	415	65(280-2P) 75(280-4-6P)	140	110	18(280-2P) 20(280-4-6P)	58(280-2P) 67.5(280-4-6P)	11(280-2P) 12(280-4-6P)	M63X1.5	990(280S-2P) 990(280S-4-6P) 1045(280M-2P) 1045(280M-4-6P)	344	22	500	450	550	8xφ18.5	5	M20X42	140

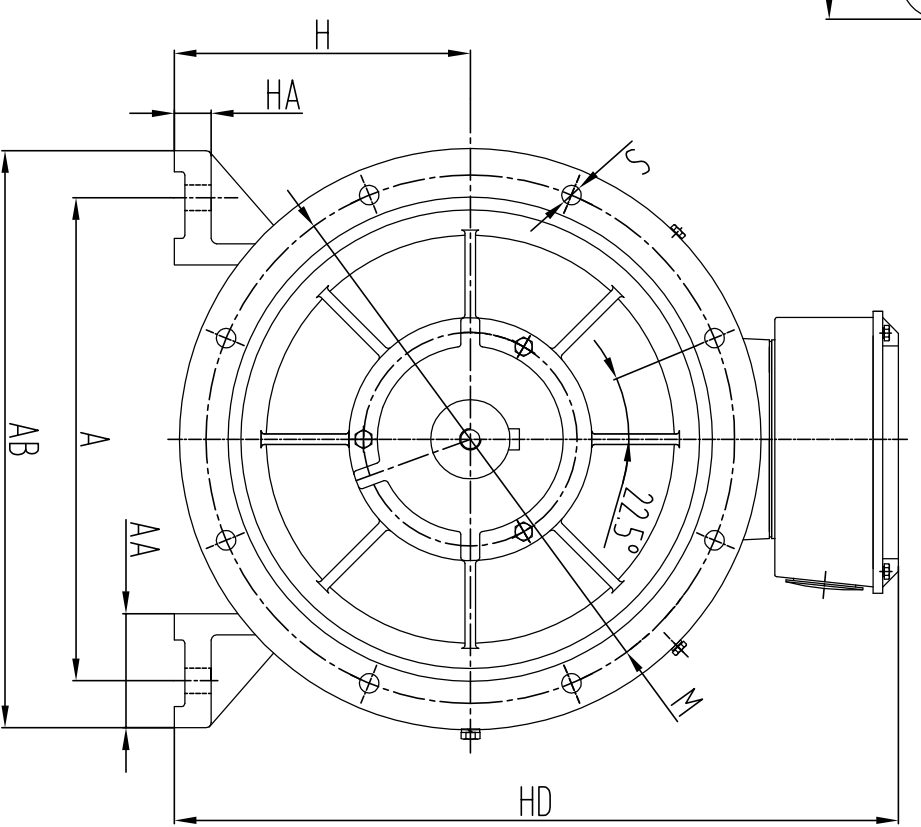
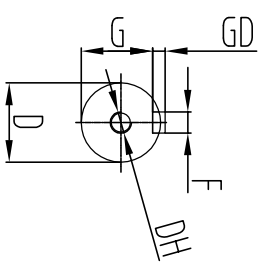
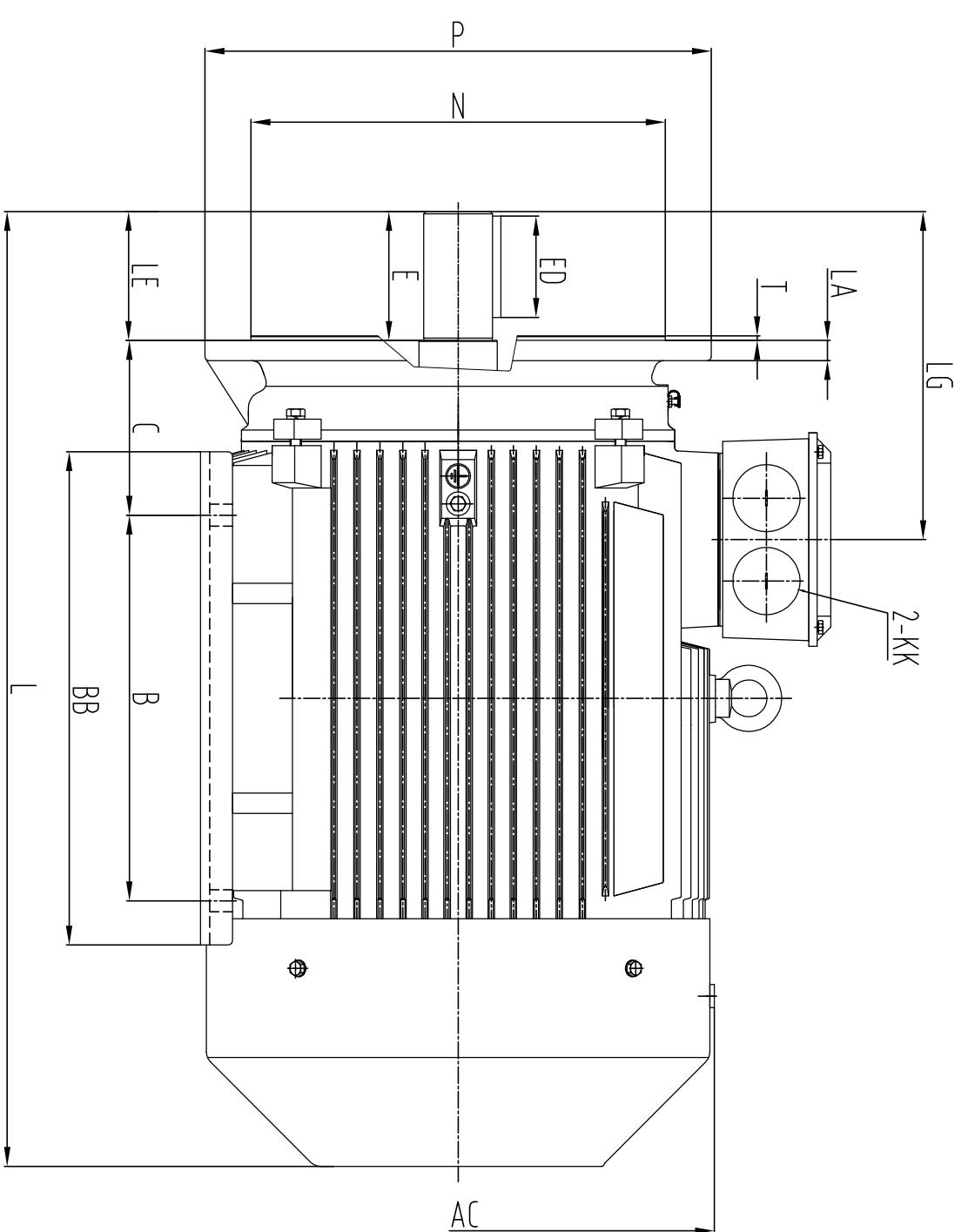
CUSTOMER APPROVAL

SIGNATURE

DATE

YE3-280(B5)
DIMENSION OUTLINE

DATE	CHK
DRAWN	APPD
ISSUE A DATE	CERTIFIED BY
ISSUE B DATE	CERTIFIED BY
ISSUE C DATE	CERTIFIED BY
ISSUE D DATE	CERTIFIED BY



OUTLINE DIMENSIONS FOOT AND FLANGE MOUNTED MOTORS

A	457	AA	105	AB	550	AC	570	HD	695	B	368(280S) 419(280M)	BB	490(280S) 540(280M)	C	190	D	65(280-2P) 75(280-4-8P)	E	140	ED	110	F	18(280-2P) 20(280-4-8P)	G	58(280-2P) 67.5(280-4-8P)	GD	11(280-2P) 12(280-4-8P)	H	280	HA	35	K	24	KK	M63X15	L	990(280S-2P) 990(280S-4-8P) 1045(280M-2P) 1045(280M-4-8P)	LG	344	LA	22	M	500	N	450	P	550	S	8xφ18.5	T	5	DH	M20X42	LE	140
---	-----	----	-----	----	-----	----	-----	----	-----	---	------------------------	----	------------------------	---	-----	---	----------------------------	---	-----	----	-----	---	----------------------------	---	------------------------------	----	----------------------------	---	-----	----	----	---	----	----	--------	---	--	----	-----	----	----	---	-----	---	-----	---	-----	---	---------	---	---	----	--------	----	-----

修改
校对
审核
工艺
设计
校对
审核
工艺
标准
批准

A
B
C
D
E
F

1 2 3 4 5 6 7 8

CUSTOMER APPROVAL

SIGNATURE

DATE

YE3-280(B35)
DIMENSION OUTLINE

Shandong Sunwin Electrical Machinery CO.,LTD

DATE	CHK	DATE	APPD
DRAWN		ISSUE A DATE	CERTIFIED BY
ISSUE B DATE		ISSUE C DATE	CERTIFIED BY
ISSUE D DATE		ISSUE D DATE	CERTIFIED BY

3 4 5 6 7 8

A
B
C
D
E
F
G
H