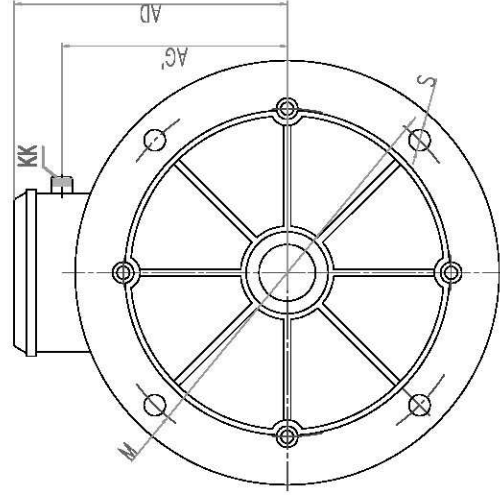
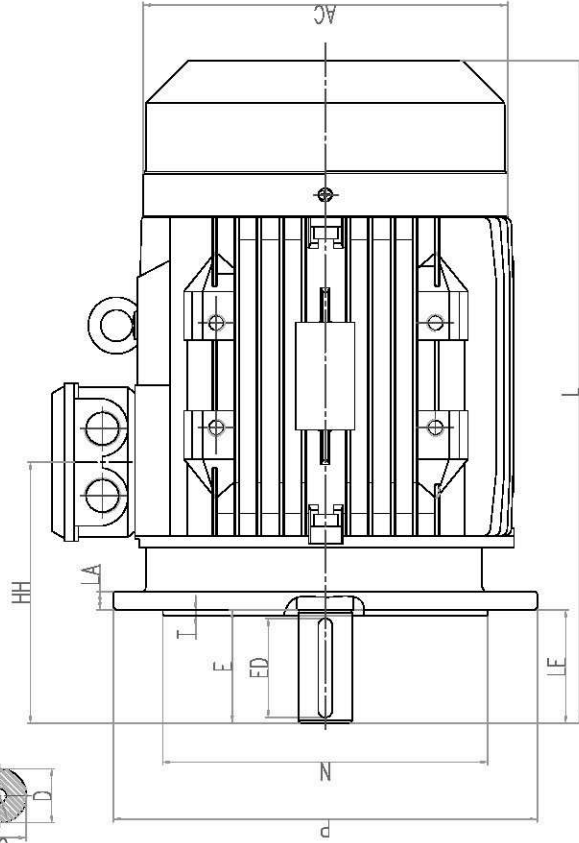
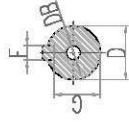


FRAME	KW
MS132M1-2	9.2
MS132M2-2	11
MS132M-4	7.5
MS132M1-6	4
MS132M2-6	5.5
MS132M1-8	3
EMS132M1-2	9.2
EMS132M2-2	11
EMS132M-4	7.5
MS132M1-6	4
MS132M2-6	5.5



CLIENT:

FRAME 132M

KW

RPM

VOLTS

OUTLINE DIMENSIONS FLANGE MOUNTED MOTORS

SHAFT EXT.DE ONLY

AC	AD	AG'	KK	L	LA	HH	LE	M	N	P	S	T	D	DB	E	ED	F	G
φ270	193	159.5	2-M25*1.5	468.5	13	184.5	80	φ265	φ230	φ300	φ15	4	φ38	M12*28	80	70	10	33

132M B5

DIMENSION OUTLINE

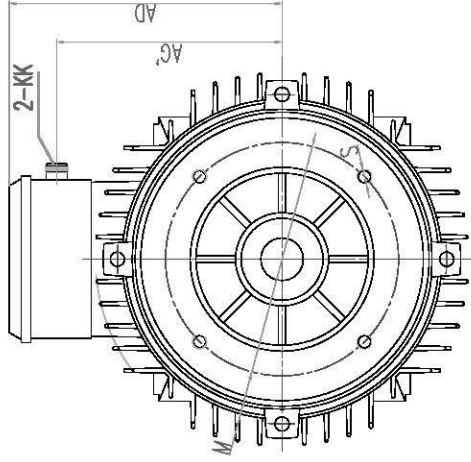
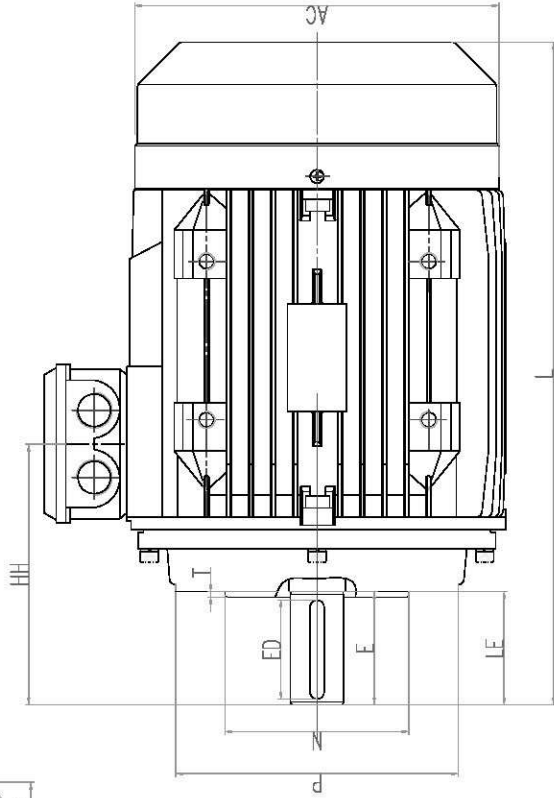
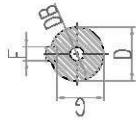


CUSTOMER APPROVAL _____ SIGNATURE _____ DATE _____

DATE	DESIGNED BY	CHECKED BY
ISSUE	DATE	CERTIFIED BY
ISSUE	DATE	CERTIFIED BY
ISSUE	DATE	CERTIFIED BY

FRAME	KW
MS132M1-2	9.2
MS132M2-2	11
MS132M-4	7.5
MS132M1-6	4
MS132M2-6	5.5
MS132M1-8	3
EMS132M1-2	9.2
EMS132M2-2	11
EMS132M-4	7.5
MS132M1-6	4
MS132M2-6	5.5

CLIENT: FRAME 132M KW RPM VOLTS



OUTLINE DIMENSIONS FLANGE MOUNTED MOTORS

SHAFT EXT.DE ONLY

AC	AD	AG	KK	L	HH	LE	M	N	P	S	T	D	DB	E	ED	F	G
φ270	193	159.5	M25×1.5	468.5	184.5	80	φ165	φ130	φ200	4-M10	3.5	φ38	M12×28	80	70	10	33

CUSTOMER APPROVAL

SIGNATURE

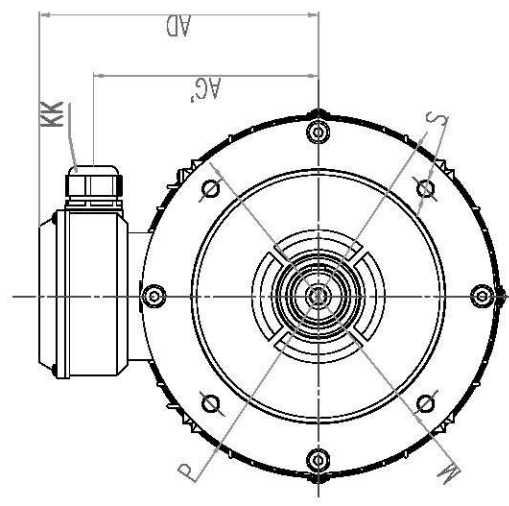
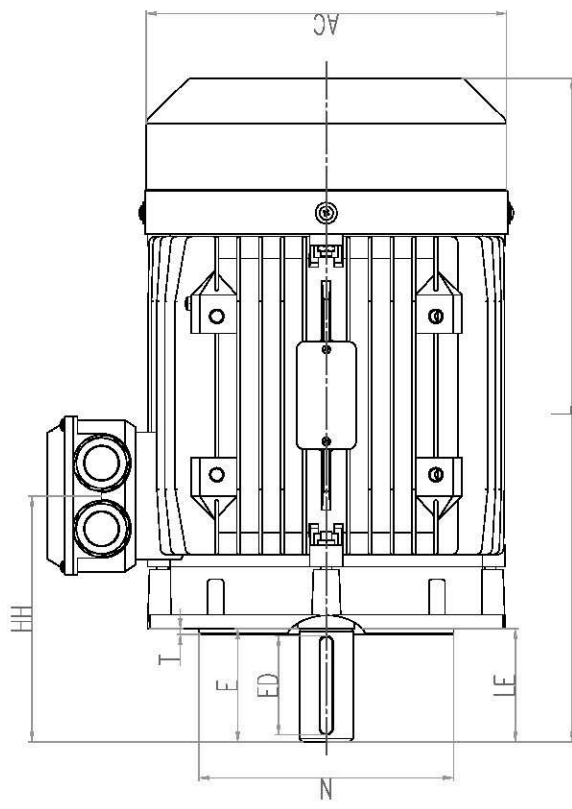
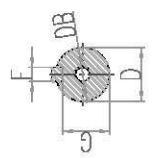
DATE

132M B14A		DATE	CHECKED BY
DIMENSION OUTLINE		DESIGNED BY	APPROVED BY
ISSUE	DATE	ISSUE	CERTIFIED BY
ISSUE	DATE	ISSUE	CERTIFIED BY
ISSUE	DATE	ISSUE	CERTIFIED BY
ISSUE	DATE	ISSUE	CERTIFIED BY



FRAME	KW
MS132M1-2	9.2
MS132M2-2	11
MS132M-4	7.5
MS132M1-6	4
MS132M2-6	5.5
MS132M1-8	3
EMS132M1-2	9.2
EMS132M2-2	11
EMS132M-4	7.5
MS132M1-6	4
MS132M2-6	5.5

CLIENT: FRAME 132M KW RPM VOLTS



OUTLINE DIMENSIONS FLANGE MOUNTED MOTORS

SHAFT EXT.DE ONLY

AC	AD	AG'	KK	L	KK	L	M	N	P	S	T	D	DB	E	ED	F	G
φ270	193	159.5	2-M25x1.5	468.5	184.5	80	φ215	φ180	φ250	4-M12	4	φ38	M12x28	80	70	10	33

CUSTOMER APPROVAL

SIGNATURE

DATE

132M B14B

DIMENSION OUTLINE



DATE	CHECKED BY	
DESIGNED BY	APPROVED BY	
ISSUE	DATE	CERTIFIED BY
ISSUE	DATE	CERTIFIED BY
ISSUE	DATE	CERTIFIED BY
ISSUE	DATE	CERTIFIED BY