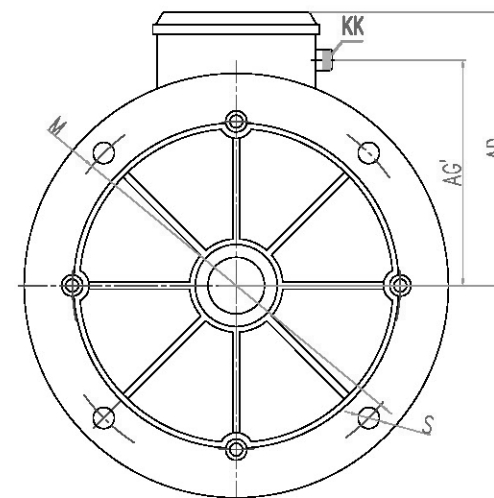
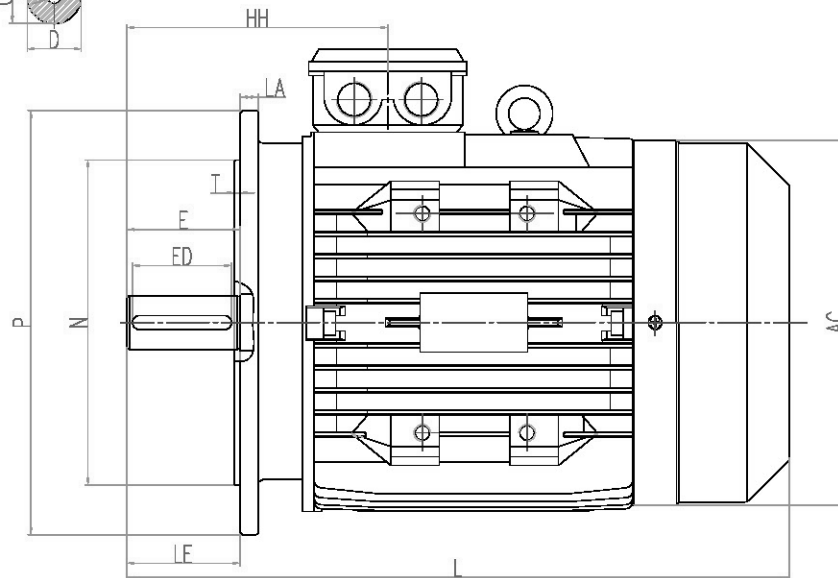
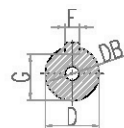


FRAME	KW
MS132M1-2	9.2
MS132M2-2	11
MS132M-4	7.5
MS132M1-6	4
MS132M2-6	5.5
MS132M1-8	3
EMS132M1-2	9.2
EMS132M2-2	11
EMS132M-4	7.5
MS132M1-6	4
MS132M2-6	5.5



CLIENT:	FRAME	KW	RPM
	132M		
	VOLTS		

OUTLINE DIMENSIONS FLANGE MOUNTED MOTORS

SHAFT EXT.DE ONLY

AC	AD	AG'	KK	L	LA	HH	LE	M	N	P	S	T				D	DB	E	ED	F	G											
φ270	193	159.5	2-M25x1.5	468.5	13	184.5	80	φ265	φ230	φ300	φ15	4				φ38	M12x28	80	70	10	33											

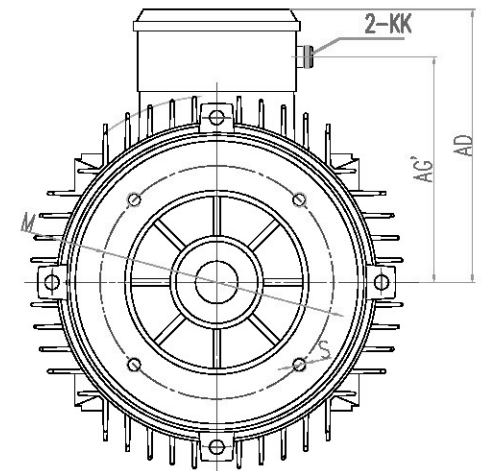
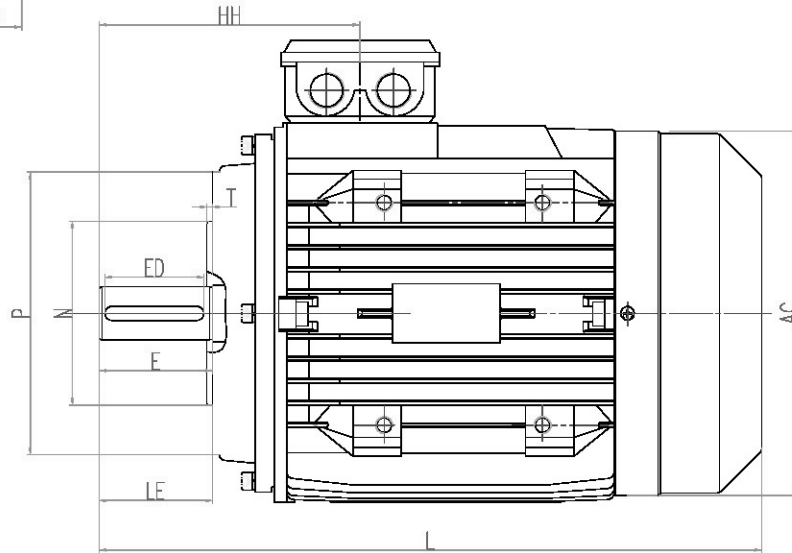
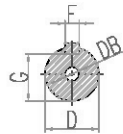
CUSTOMER APPROVAL _____
 SIGNATURE DATE

132M B5
 DIMENSION OUTLINE



DATE		CHECKED BY
DESIGNED BY		APPROVED BY
ISSUE	DATE	CERTIFIED BY
ISSUE	DATE	CERTIFIED BY
ISSUE	DATE	CERTIFIED BY
ISSUE	DATE	CERTIFIED BY

FRAME	KW
MS132M1-2	9.2
MS132M2-2	11
MS132M-4	7.5
MS132M1-6	4
MS132M2-6	5.5
MS132M1-8	3
EMS132M1-2	9.2
EMS132M2-2	11
EMS132M-4	7.5
MS132M1-6	4
MS132M2-6	5.5



CLIENT:	FRAME	KW	RPM
	VOLTS		
	132M		

OUTLINE DIMENSIONS FLANGE MOUNTED MOTORS

SHAFT EXT.DE ONLY

AC	AD	AG'	KK	L	HH	LE	M	N	P	S	T							D	DB	E	ED	F	G									
φ270	193	159.5	M25x1.5	468.5	184.5	80	φ165	φ130	φ200	4-M10	3.5							φ38	M12x28	80	70	10	33									

CUSTOMER APPROVAL _____
 SIGNATURE DATE

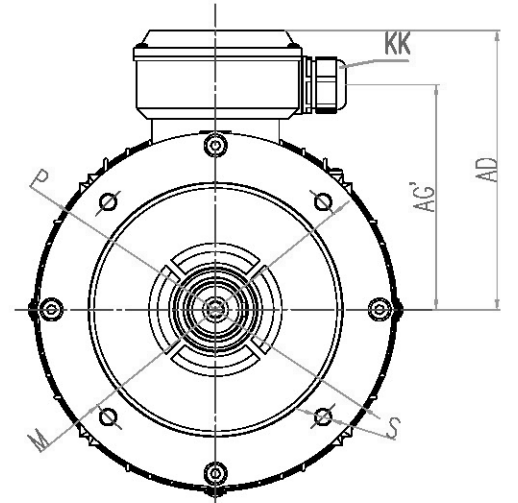
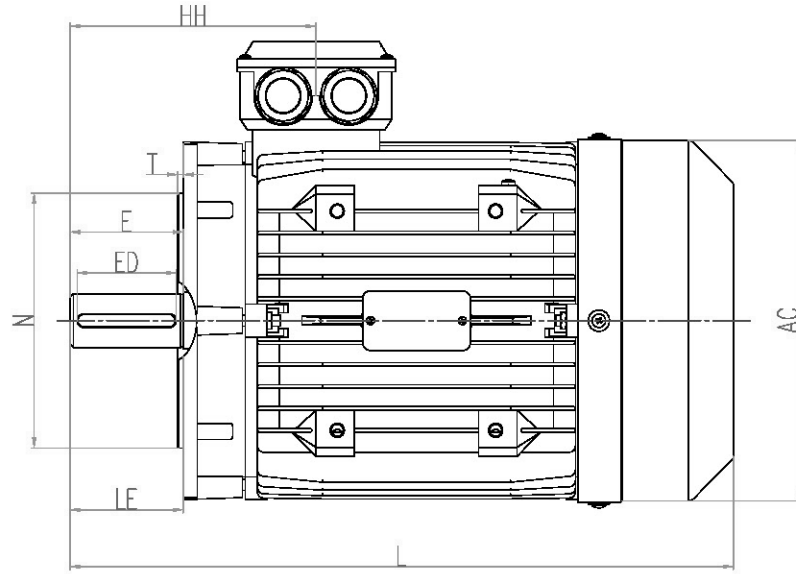
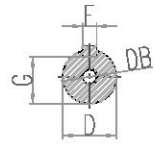
132M B14A

DIMENSION OUTLINE



DATE		CHECKED BY
DESIGNED BY		APPROVED BY
ISSUE	DATE	CERTIFIED BY
ISSUE	DATE	CERTIFIED BY
ISSUE	DATE	CERTIFIED BY
ISSUE	DATE	CERTIFIED BY

FRAME	KW
MS132M1-2	9.2
MS132M2-2	11
MS132M-4	7.5
MS132M1-6	4
MS132M2-6	5.5
MS132M1-8	3
EMS132M1-2	9.2
EMS132M2-2	11
EMS132M-4	7.5
MS132M1-6	4
MS132M2-6	5.5



CLIENT:	FRAME	132M
	VOLTS	
	KW	
	RPM	

OUTLINE DIMENSIONS FLANGE MOUNTED MOTORS

SHAFT EXT.DE ONLY

AC	AD	AG'	KK	L	KK	L		M	N	P	S	T				D	DB	E	ED	F	G							
φ270	193	159.5	2-M25x1.5	468.5	184.5	80		φ215	φ180	φ250	4-M12	4				φ38	M12x28	80	70	10	33							

CUSTOMER APPROVAL _____
 SIGNATURE DATE

132M B14B

DIMENSION OUTLINE



DATE		CHECKED BY	
DESIGNED BY		APPROVED BY	
ISSUE	DATE	CERTIFIED BY	
ISSUE	DATE	CERTIFIED BY	
ISSUE	DATE	CERTIFIED BY	
ISSUE	DATE	CERTIFIED BY	