

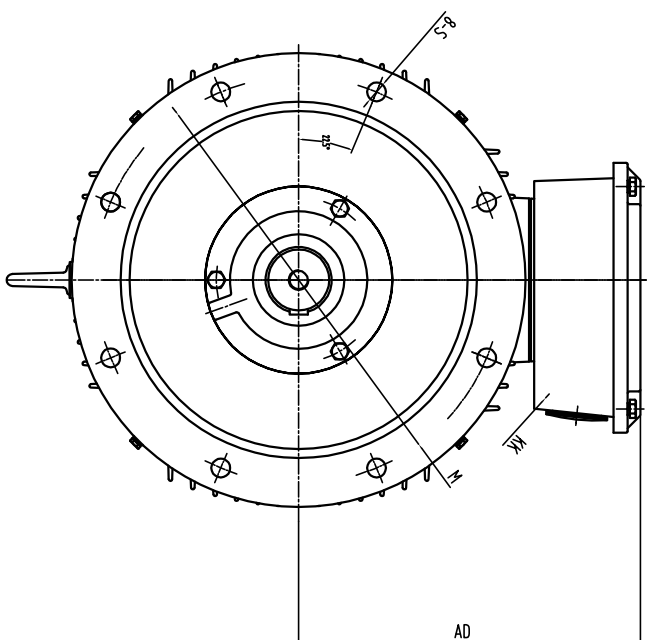
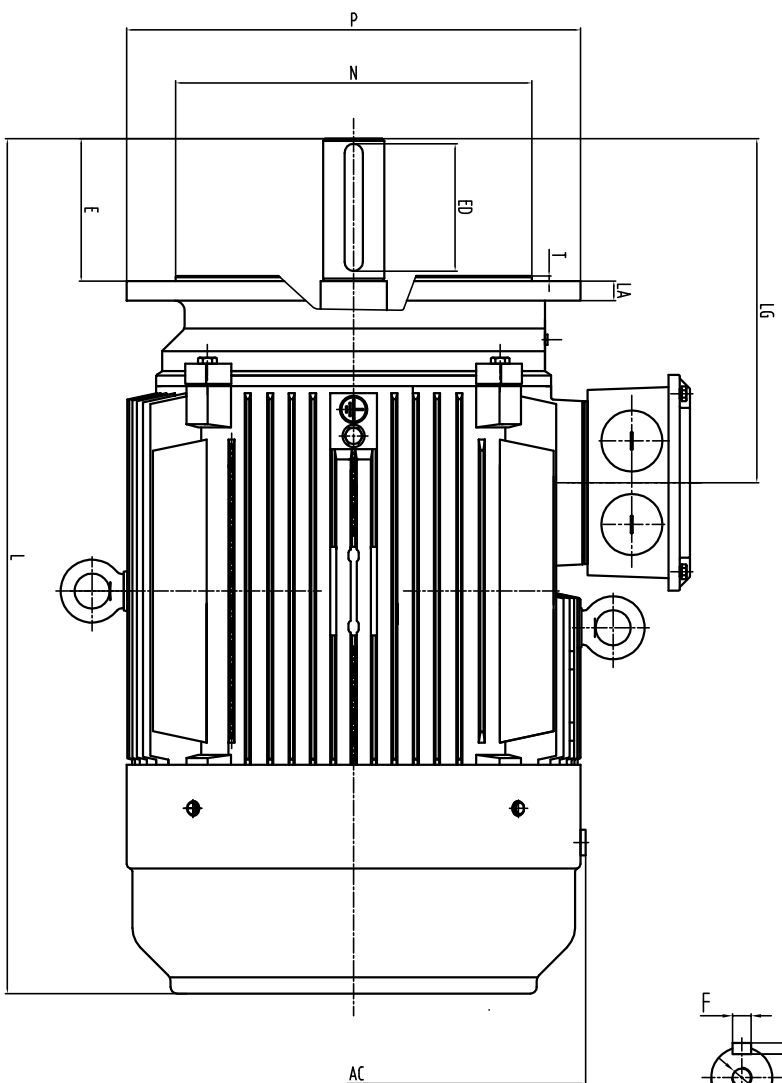
OUTLINE DIMENSIONS FOOT MOUNTED MOTORS

A	AA	AB	AC	AD	B	BB	C	D	E	ED	F	G	GD	H	HA	K	KK	L	LG	DH												
356	75	435	465	560	311(225M-2P)	311(225M-4-6P)	286(225S-4-6P)	375(225M-2P)	375(225M-4-6P)	350(225S-4-6P)	14.9	60(225S/M-4-6P)	55(225M-2P)	14.0 (225S/M-4-6P)	110(225M-2P)	110 (225S/M-4-6P)	90(225M-2P)	18(225S/M-4-6P)	16(225M-2P)	53(225S/M-4-6P)	4.9(225M-2P)	11(225S/M-4-6P)	10(225M-2P)	2.25	2.8	1.85	M50x1.5	8.45(225M-2P)	8.50(225M-4-6P)	8.25(225S-4-6P)	3.40	M20X42

修改	审核	工艺	标注	设计	校核	工艺	标注	审核	批准
----	----	----	----	----	----	----	----	----	----

YE2-225(B3)		DATE	CHK
DIMENSION OUTLINE		DRAWN	APPD
ISSUE A	DATE	CERTIFIED BY	
ISSUE B	DATE	CERTIFIED BY	
ISSUE C	DATE	CERTIFIED BY	
ISSUE D	DATE	CERTIFIED BY	

Shandong Sunin Electrical Machinery CO.,LTD



OUTLINE DIMENSIONS

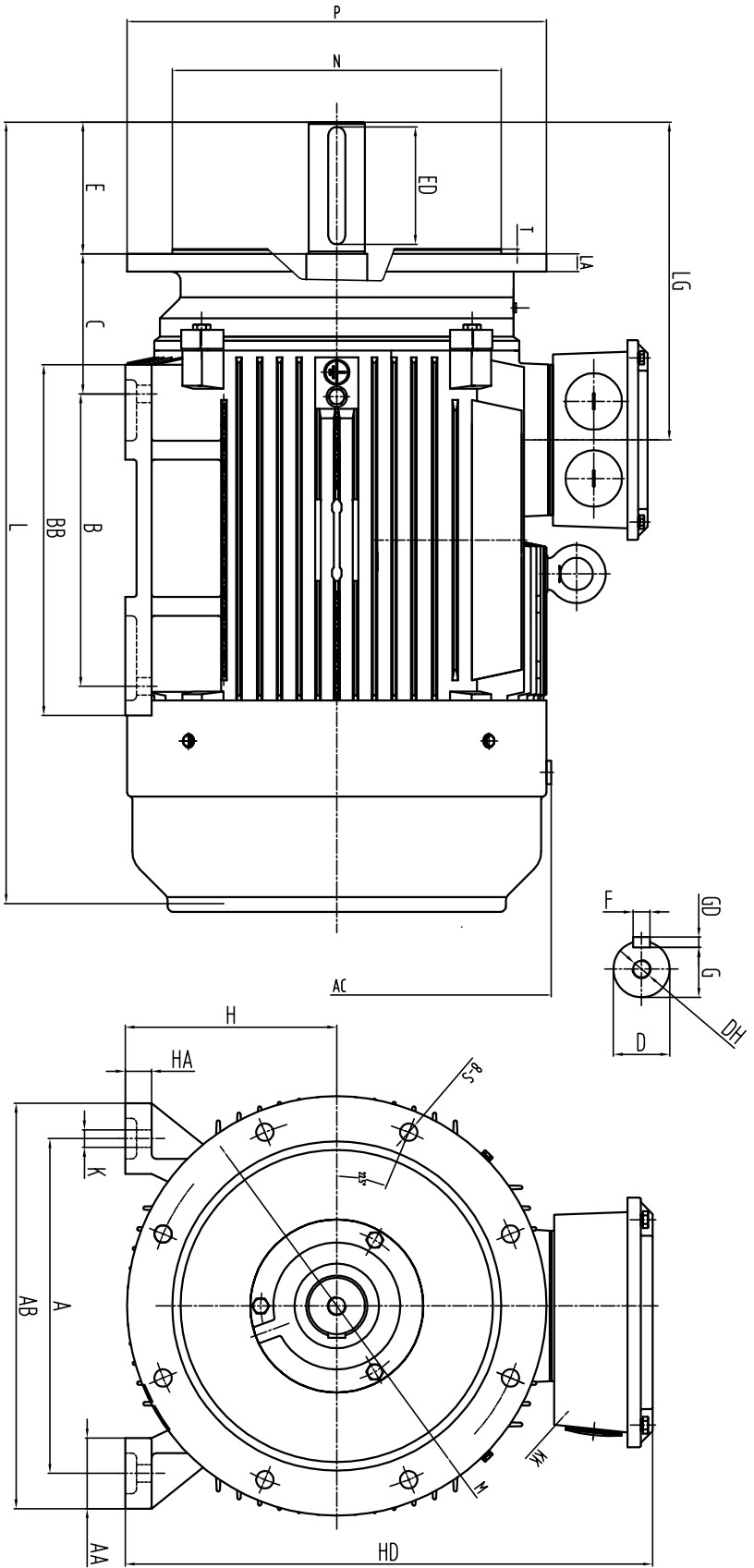
AC	465
AD	335
D	60(225S/M-4-6P) 55(225M-2P)
E	140 (225S/M-4-6P) 110(225M-2P)
ED	110 (225S/M-4-6P) 90(225M-2P)
F	18(225S/M-4-6P) 16(225M-2P)
G	53(225S/M-4-6P) 49(225M-2P)
GD	11(225S/M-4-6P) 10(225M-2P)
KK	M50x1.5
L	845(225M-2P) 850(225M-4-6P) 825(225S-4-6P)
LG	340
DH	M20X42
LA	20
M	400
N	350
P	450
S	18.5
T	5

修改
校对
审核
工艺
标注
设计
校核
审核
工艺
标注
批准

1 2 3 4 5 6 7 8

YE2-225(B5)			
DIMENSION OUTLINE			
DATE		CHK	
DRAWN		APPD	
ISSUE A DATE		CERTIFIED BY	
ISSUE B DATE		CERTIFIED BY	
ISSUE C DATE		CERTIFIED BY	
ISSUE D DATE		CERTIFIED BY	
Shandong Sunin Electrical Machinery Co.,LTD			

A B C D E F G H

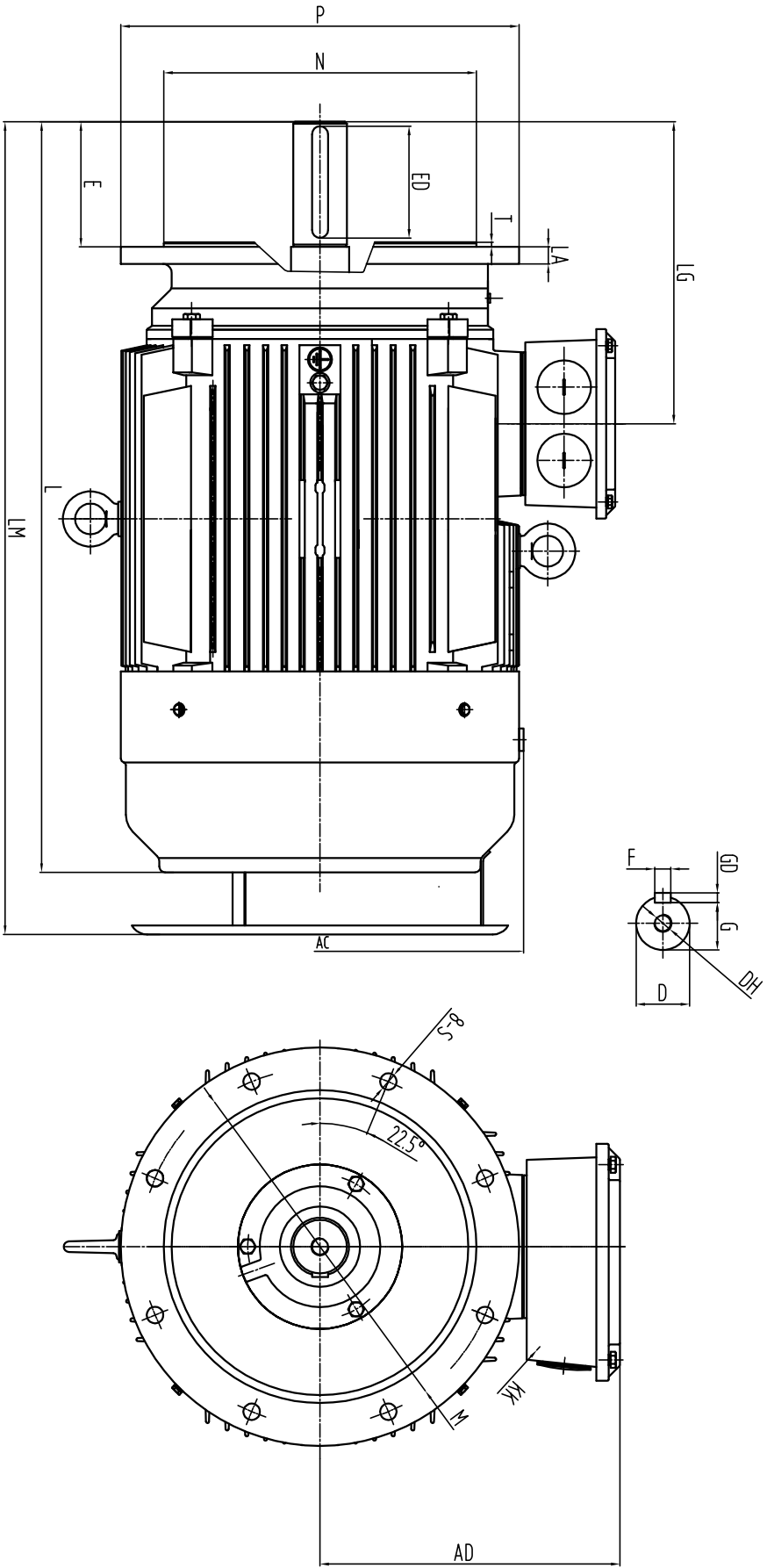


OUTLINE DIMENSIONS

	A	AA	AB	AC	HD	B	BB	C	D	E	ED	F	G	GD	H	HA	K	KK	L	LG	DH	LA	M	N	P	S	T												
	356	75	435	465	560	311(225M-2P)	311(225M-4-6P)	286(225S-4-6P)	375(225M-2P)	375(225M-4-6P)	350(225S-4-6P)	149	60(225S/M-4-6P)	55(225M-2P)	140 (225S/M-4-6P)	110(225M-2P)	110 (225S/M-4-6P)	90(225M-2P)	18(225S/M-4-6P)	16(225M-2P)	53(225S/M-4-6P)	49(225M-2P)	11(225S/M-4-6P)	10(225M-2P)	225	28	18.5	M50x15	84.5(225M-2P)	850(225M-4-6P)	825(225S-4-6P)	340	M20X42	20	400	350	450	18.5	5

修改	审核	工艺	标注	设计	校核	工艺	标注	审核	批准																														
<table border="1"> <tr> <td colspan="2">DATE</td> <td>CHK</td> </tr> <tr> <td>DRAWN</td> <td></td> <td>APPD</td> </tr> <tr> <td>ISSUE A DATE</td> <td></td> <td>CERTIFIED BY</td> </tr> <tr> <td>ISSUE B DATE</td> <td></td> <td>CERTIFIED BY</td> </tr> <tr> <td>ISSUE C DATE</td> <td></td> <td>CERTIFIED BY</td> </tr> <tr> <td>ISSUE D DATE</td> <td></td> <td>CERTIFIED BY</td> </tr> </table>										DATE		CHK	DRAWN		APPD	ISSUE A DATE		CERTIFIED BY	ISSUE B DATE		CERTIFIED BY	ISSUE C DATE		CERTIFIED BY	ISSUE D DATE		CERTIFIED BY												
DATE		CHK																																					
DRAWN		APPD																																					
ISSUE A DATE		CERTIFIED BY																																					
ISSUE B DATE		CERTIFIED BY																																					
ISSUE C DATE		CERTIFIED BY																																					
ISSUE D DATE		CERTIFIED BY																																					
<table border="1"> <tr> <td colspan="10">YE2-225(B35)</td> </tr> <tr> <td colspan="10">DIMENSION OUTLINE</td> </tr> <tr> <td colspan="10">Shandong Sunin Electrical Machinery CO.,LTD</td> </tr> </table>										YE2-225(B35)										DIMENSION OUTLINE										Shandong Sunin Electrical Machinery CO.,LTD									
YE2-225(B35)																																							
DIMENSION OUTLINE																																							
Shandong Sunin Electrical Machinery CO.,LTD																																							

1 2 3 4 5 6 7 8



OUTLINE DIMENSIONS

AC	AD	D	E	ED	F	G	GD	KK	L	LM	LG	DH	LA	M	N	P	S	T										
465	335	60(225S/M-4-6P)	55(225M-2P)	140 (225S/M-4-6P)	110(225M-2P)	110(225S/M-4-6P)	90(225M-2P)	18(225S/M-4-6P)	16(225M-2P)	53(225S/M-4-6P)	49(225M-2P)	11(225S/M-4-6P)	10(225M-2P)	M50x1.5	845(225M-2P)	850(225M-4-6P)	825(225S-4-6P)	915(225M-2P)	920(225M-4-6P)	895(225S-4-6P)	340	M20X42	20	400	350	450	18.5	5

YE2-225(V1)			
DIMENSION OUTLINE			
DATE	CHK	DATE	CHK
DRAWN	APPD	ISSUE A DATE	CERTIFIED BY
		ISSUE B DATE	CERTIFIED BY
		ISSUE C DATE	CERTIFIED BY
		ISSUE D DATE	CERTIFIED BY