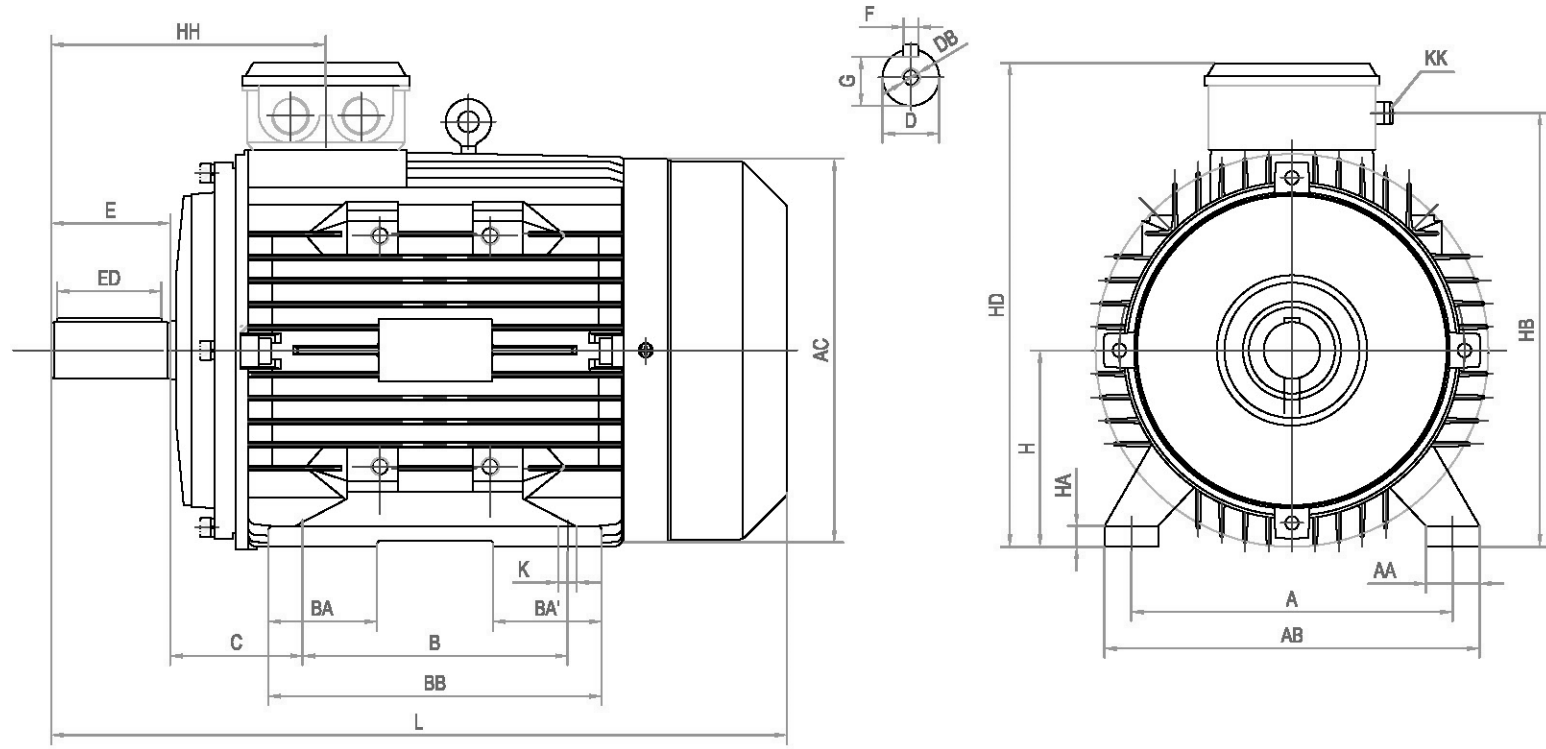


		FRAME		KW
		MS132M1-2		9.2
		MS132M2-2		11
		MS132M-4		7.5
		MS132M1-6		4
		MS132M2-6		5.5
		MS132M1-8		3
		EMS132M1-2		9.2
		EMS132M2-2		11
		EMS132M-4		7.5
		EMS132M1-6		4
		EMS132M2-6		5.5
CLIENT:	FRAME	132M	KW	RPM
	VOLTS			



FOOT-OR-FLANGE-MOUNTING

SHAFT EXT.DE ONLY

WEIGHT(kg)

A	AA	AB	AC	B	BA	BA'	BB	C	H	HA	HB	HD	HH	K	KK	L				D	DB	E	ED	F	G					
216	36	252	Ø270	178	51	51	212	89	132	14	291.5	325	184.5	12X16	2-M25X1.5	468.5				Ø38	M12X28	80	70	10	33					

CUSTOMER APPROVAL

SIGNATURE

DATE

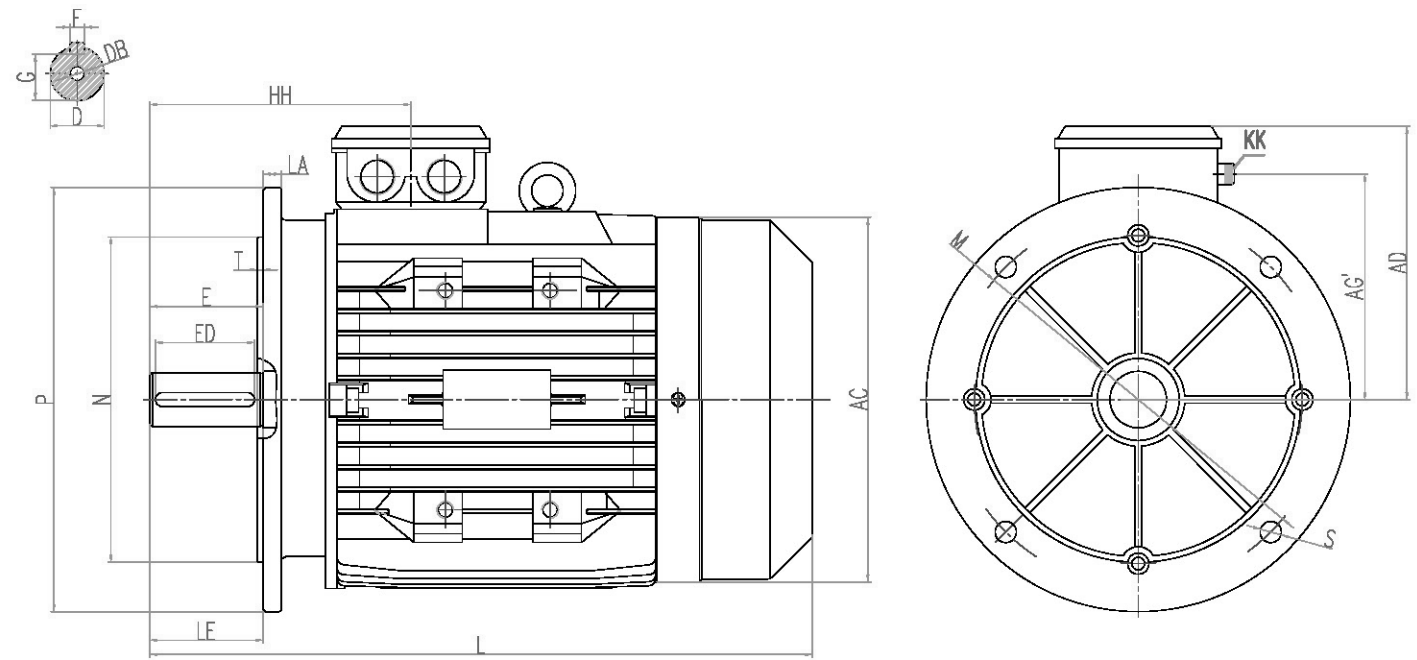
132M B3

DIMENSION OUTLINE



DATE		CHECKED BY	
DESIGNED BY		APPROVED BY	
ISSUE	DATE	CERTIFIED BY	
ISSUE	DATE	CERTIFIED BY	
ISSUE	DATE	CERTIFIED BY	
ISSUE	DATE	CERTIFIED BY	

FRAME	KW
MS132M1-2	9.2
MS132M2-2	11
MS132M-4	7.5
MS132M1-6	4
MS132M2-6	5.5
MS132M1-8	3
EMS132M1-2	9.2
EMS132M2-2	11
EMS132M-4	7.5
MS132M1-6	4
MS132M2-6	5.5



CLIENT:	FRAME	KW	RPM
	VOLTS		

OUTLINE DIMENSIONS FLANGE MOUNTED MOTORS

SHAFT EXT.DE ONLY

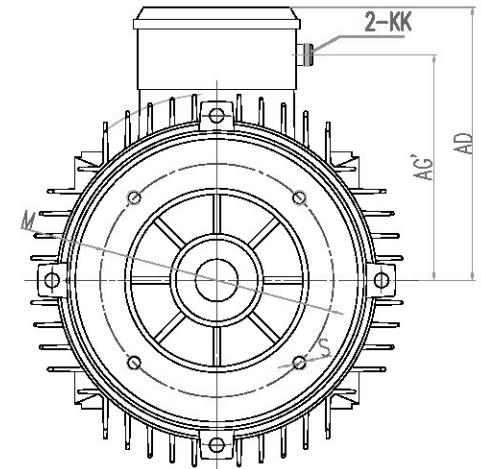
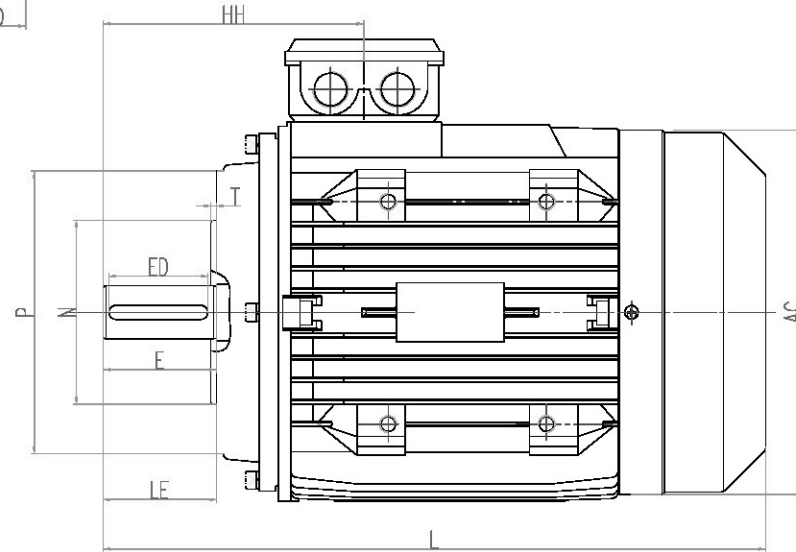
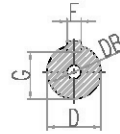
AC	AD	AG'	KK	L	LA	HH	LE	M	N	P	S	T				D	DB	E	ED	F	G										
φ270	193	159.5	2-M25x1.5	468.5	13	184.5	80	φ265	φ230	φ300	φ15	4				φ38	M12x28	80	70	10	33										

CUSTOMER APPROVAL _____
 SIGNATURE DATE

132M B5		DATE	CHECKED BY
DIMENSION OUTLINE		DESIGNED BY	APPROVED BY
ISSUE	DATE	CERTIFIED BY	
ISSUE	DATE	CERTIFIED BY	
ISSUE	DATE	CERTIFIED BY	
ISSUE	DATE	CERTIFIED BY	



FRAME	KW
MS132M1-2	9.2
MS132M2-2	11
MS132M-4	7.5
MS132M1-6	4
MS132M2-6	5.5
MS132M1-8	3
EMS132M1-2	9.2
EMS132M2-2	11
EMS132M-4	7.5
MS132M1-6	4
MS132M2-6	5.5



CLIENT:	FRAME	KW	RPM
	132M		
	VOLTS		

OUTLINE DIMENSIONS FLANGE MOUNTED MOTORS

SHAFT EXT.DE ONLY

AC	AD	AG'	KK	L	HH	LE	M	N	P	S	T						D	DB	E	ED	F	G								
φ270	193	159.5	M25x1.5	468.5	184.5	80	φ165	φ130	φ200	4-M10	3.5						φ38	M12x28	80	70	10	33								

CUSTOMER APPROVAL

SIGNATURE

DATE

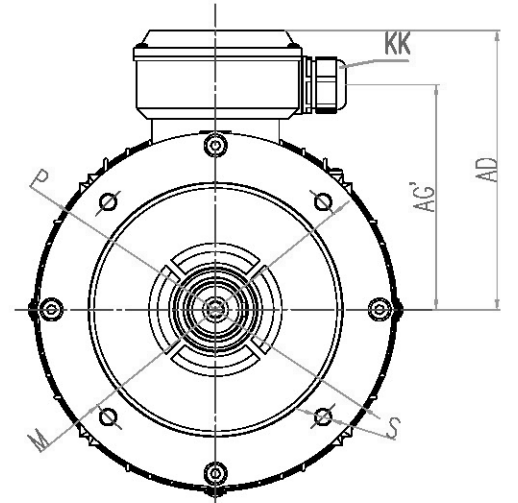
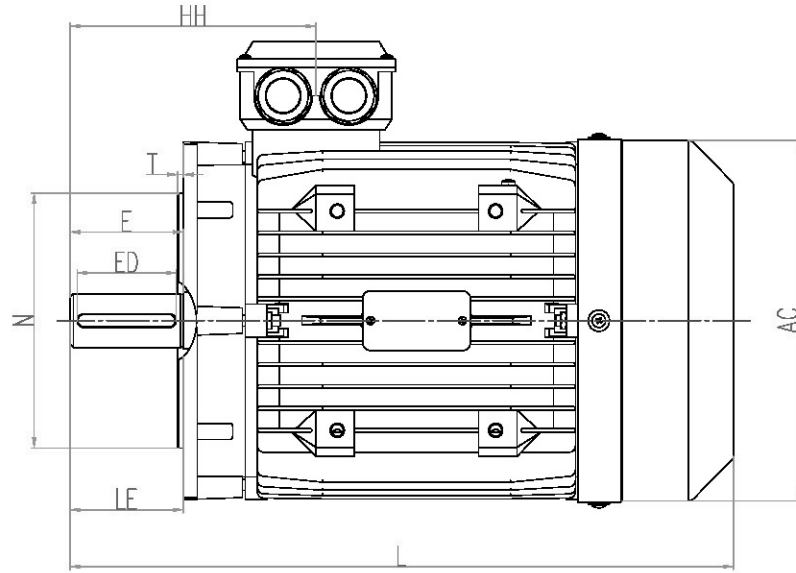
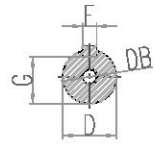
132M B14A

DIMENSION OUTLINE



DATE		CHECKED BY
DESIGNED BY		APPROVED BY
ISSUE	DATE	CERTIFIED BY
ISSUE	DATE	CERTIFIED BY
ISSUE	DATE	CERTIFIED BY
ISSUE	DATE	CERTIFIED BY

FRAME	KW
MS132M1-2	9.2
MS132M2-2	11
MS132M-4	7.5
MS132M1-6	4
MS132M2-6	5.5
MS132M1-8	3
EMS132M1-2	9.2
EMS132M2-2	11
EMS132M-4	7.5
MS132M1-6	4
MS132M2-6	5.5



CLIENT:	FRAME	132M	KW	RPM
	VOLTS			

OUTLINE DIMENSIONS FLANGE MOUNTED MOTORS

SHAFT EXT.DE ONLY

AC	AD	AG'	KK	L	KK	L		M	N	P	S	T				D	DB	E	ED	F	G						
φ270	193	159.5	2-M25x1.5	468.5	184.5	80		φ215	φ180	φ250	4-M12	4				φ38	M12x28	80	70	10	33						

CUSTOMER APPROVAL _____
 SIGNATURE DATE

132M B14B

DIMENSION OUTLINE



DATE		CHECKED BY
DESIGNED BY		APPROVED BY
ISSUE	DATE	CERTIFIED BY
ISSUE	DATE	CERTIFIED BY
ISSUE	DATE	CERTIFIED BY
ISSUE	DATE	CERTIFIED BY