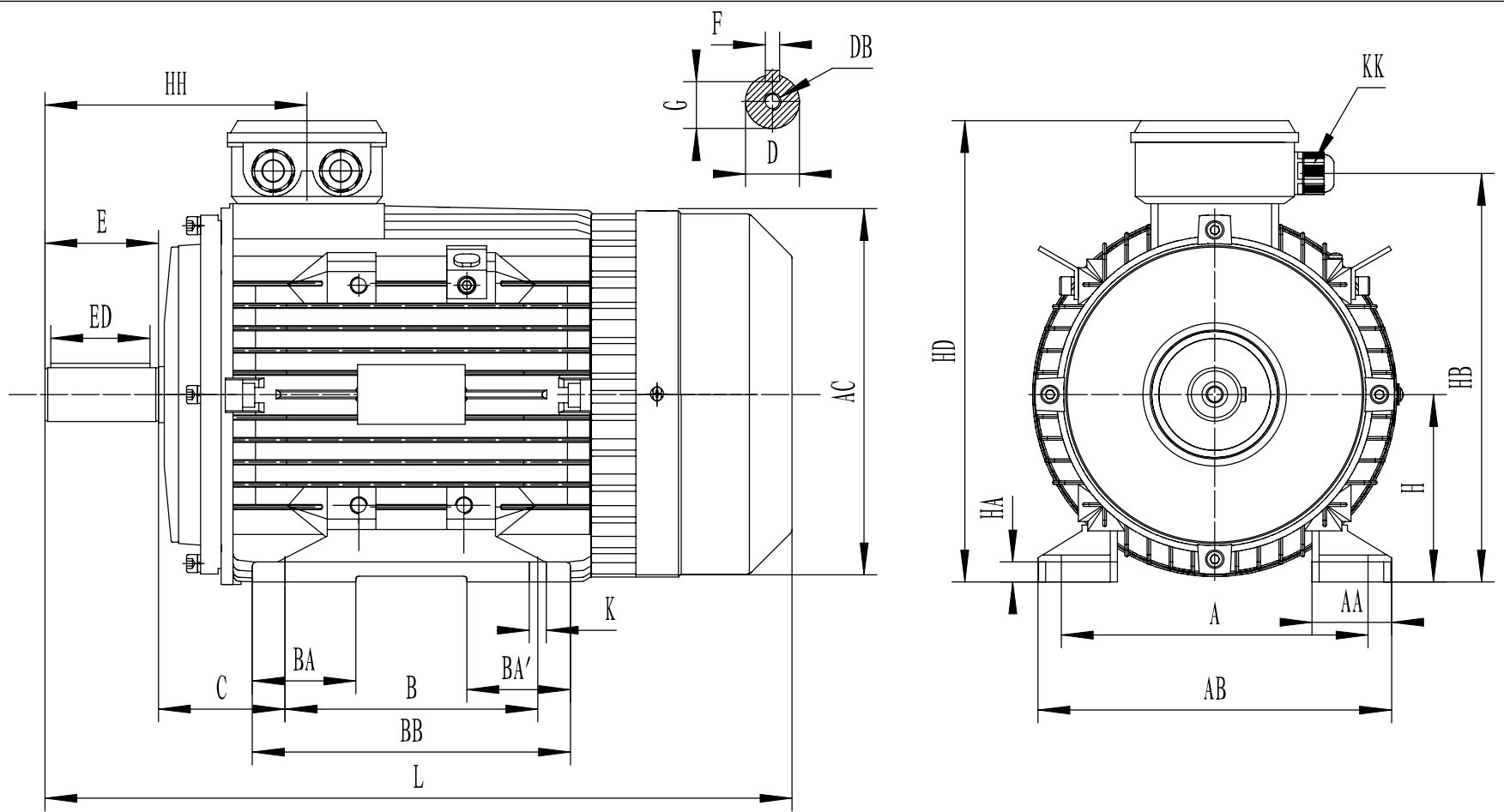


CLIENT:	FRAME	132LJ	KW	RPM
	VOLTS			
	FRAME	HMS132LJ-4	KW	7.5



FOOT-OR-FLANGE-MOUNTING														SHAFT EXT.DE ONLY						WEIGHT(kg)																
A	AA	AB	AC	B	BA	BA"	BB	C	H	HA	HB	HD	HH	K	KK	L	D	DB	E	ED	F	G														
216	36	252	270	178	51	51	212	89	132	14	291.5	325	184.5	12X16	2-M25X1.5	525	38	M12X28	80	70	10	33														

CUSTOMER APPROVAL

\_\_\_\_\_  
SIGNATURE

\_\_\_\_\_  
DATE

HMS132LJ B3				DATE		CHECKED BY	
DIMENSION OUTLINE				DESIGNED BY		APPROVED BY	
ISSUE		DATE		ISSUE		CERTIFIED BY	
ISSUE		DATE		ISSUE		CERTIFIED BY	
ISSUE		DATE		ISSUE		CERTIFIED BY	
ISSUE		DATE		ISSUE		CERTIFIED BY	