



Manufacturer

**VEM motors GmbH - Werk Zwickau**  
**Äußere Dresdner Str. 35**

Customer

**akkerstraat 10**

**08066 ZWICKAU**  
**Deutschland**

**Three-phase motors with squirrel cage rotor,**  
**Housing grey cast iron**

Type		IE3-W41R 90 LY2
Design output	( kW )	2,2
Design torque	( Nm )	7,29
Class IE	[ - ]	IE3-85,9%
Efficiency determination		EN 60034-2-1
Duty type		S1
Design frequency	( Hz )	50
Design speed	[rpm]	2880
Voltage	( V )	230/400
Connection	[ - ]	D/Y
Current	[ A ]	7.39/4.25
Relative pull-in current	[ - ]	8
Relative starting torque	[ - ]	2,5
Relative pull-up torque	[ - ]	2,3
Relative pull-out torque	[ - ]	2,9
Efficiency <sub>100/75/50</sub> %	[ % ]	85,9 / 86,7 / 84,9
Power factor	[ - ]	0,88
Th. cl.		155(F/B)
Coolant temperature	( °C )	-20...+40
Altitude above sea level	( m )	1000
Degree of protection IP		IP55
Moment of inertia	( kgm <sup>2</sup> )	0,00275
Motor weight	( kg )	23,5
Bearing, D-side		6205 2Z C3
Bearing, N-side		6205 2Z C3
Grease type		Asonic GLY 32
A-sound pressure level	( dB )	a.A.

**Options**

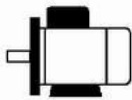
Type of mounting	IM B35
Flange	FF 165[A 200]
Terminal box	Standard
Position of terminal box	on the top
Cable gland	Sealing plug
Position of cable entry	right
Shaft	Standard, 1 shaft end
Bearing	Easy bearing arrangement
Winding protection	1 set ptc resistors
Limit values to vibration velocity	Class A
	Balancing with half key
Colour system	01 Moderate (KK C2),RAL 7031 blue-grey
Delivery conditions and/or official regulations:	IEC / EN 60034-1

This document was produced electronically, all specifications are valid only after confirmation of the manufacturer

Three-phase motors with squirrel cage rotor,  
Housing grey cast iron

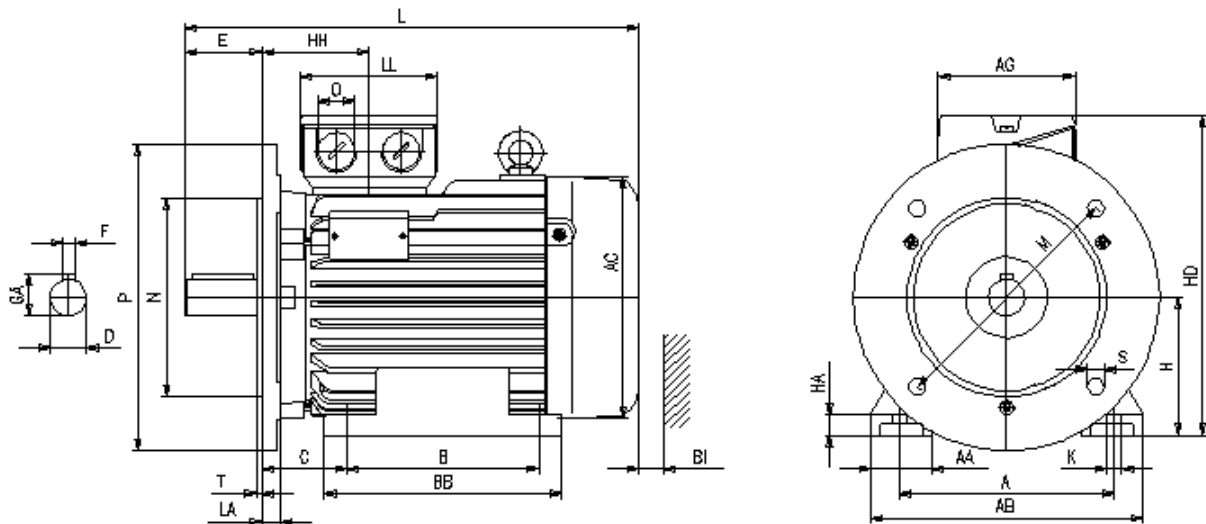
## IE3-W41R 90 LY2

### Mounting position



Type of mounting: IM B35  
Flange: FF 165[A 200]  
Position of terminal box: on the top  
Brake type:  
Forced-ventilation:

Terminal box: KA 05  
Cable gland O: 1 xSealing plug



### Motor

A	AA	AB	AC	AD	B	B'	BA	BA'	BB	C	CA	K	K'
140	40	178	177	-	125	-	-	-	155	56	-	10	10
L	LC	H	HA	HD	HH	BI	Protection cover				Terminal box		
321	-	90	10,5	217	75	18	L	AG	LL	BE	AH	-	-

### Flange

P	N	LA	M	T	S	Tolerances			
200	130	10	165	3,5	11	H	N	D	DA
						-0,5	j6	k6	k6

### Shaft-DS

D	E	GA	F	DB
24	50	27	8	DIN 332 DS - M8

### Shaft-NS

DA	EA	GC	FA
-	-	-	-

### DB...Centre hole

Delivery conditions and/or official regulations: IEC / EN 60034-1

This document was produced electronically, all specifications are valid only after confirmation of the manufacturer