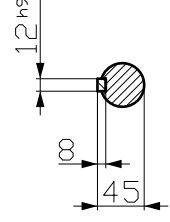
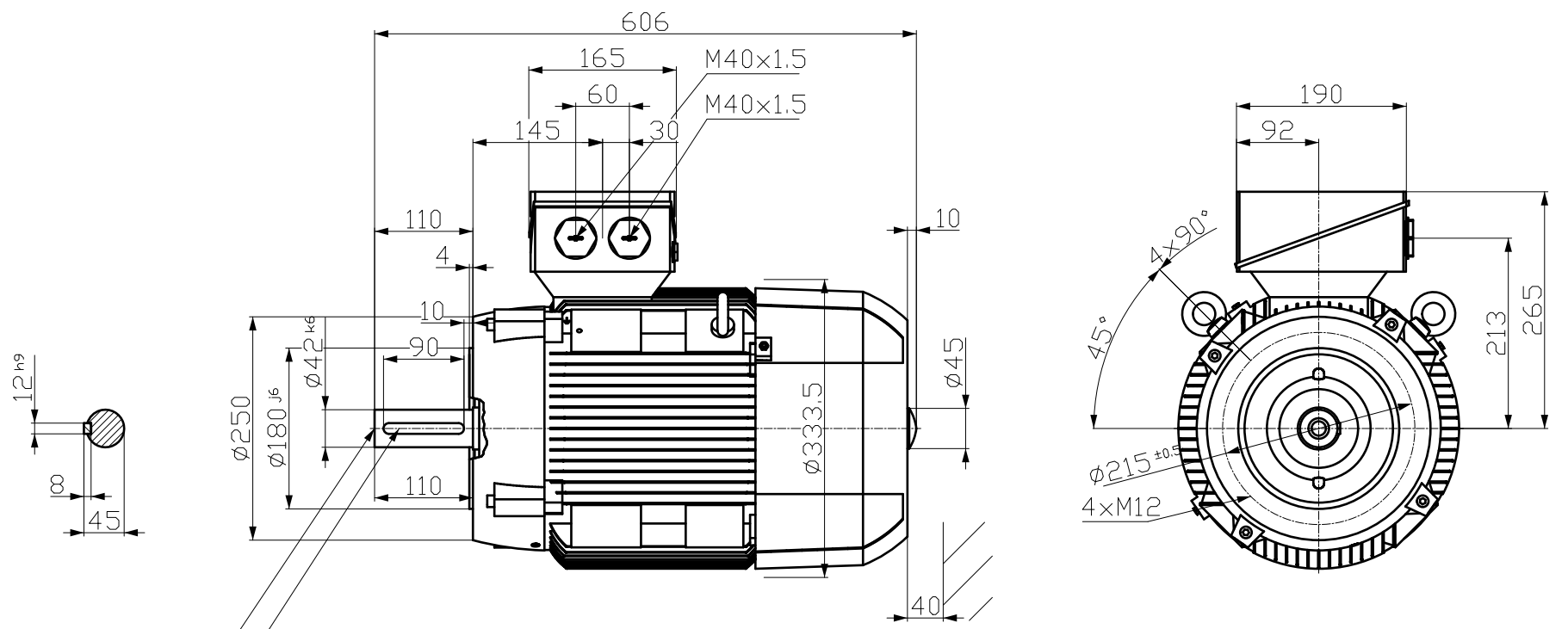


刀修者
 用文
 金
 正
 积
 用
 文
 金
 正
 积
 用
 文
 金
 正
 积
 用
 文
 金
 正
 积
 用
 文
 金
 正
 积
 用
 文
 金
 正
 积



DIN 332-DR M16
 DIN 6885-1

| Tolerance | Surface | Material | Weight | Scale |
|-------------------|--------------|------------|----------|--------------|
| F50R1 E800H S0 | Author | ÖV | E | |
| E | Creator | | | |
| | Approval | | | |
| | Department | | | |
| | Change Order | | | |
| | | MFB | Doc Type | / |
| SIEMENS | | Doc. State | Item No | Paper Size |
| | Revision | Index | Doc No | 1st Language |
| | | | | 2nd Language |
| © INNOMOTICS 2023 | Project No | E | Ref No | E |
| | | | | Sheet F of F |

V&@&@A) aV) * ^) A[i a @ @) A
 V&@ & @ @ @ @ ^ A * a b @ @ A & @ @ * ^ A