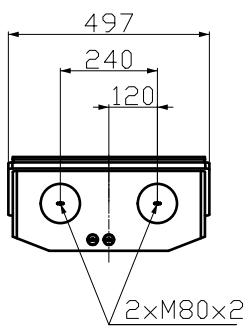
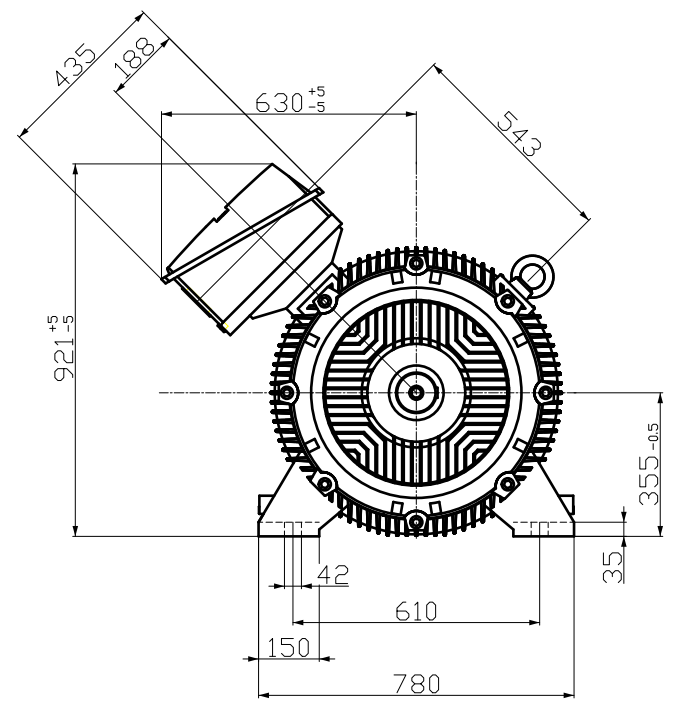
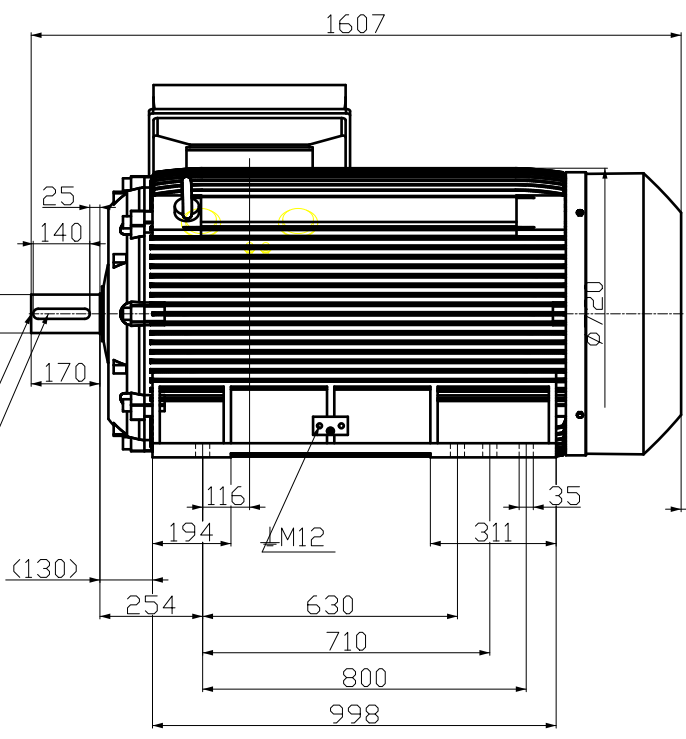
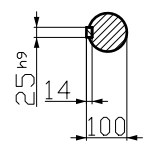


Terminal box -
Front view



DIN 332-DS M24
DIN 6885-1



V&@a&@A) aV) * ^) A[i&@e@) A
V&@B&@a&@a&@A * aB&@A &@&@ * ^A

Tolerance	Surface	Material	Weight	Scale
F501 í eí H001 HÉ C00Z SÍ F	Author Creator Approval Department Change Order	ÖVS T æ : ^&@ } * MLFB	E	{ {
SIEMENS	Doc. State	FÍ BECH	Item No	Paper Size CH
	Revision	Index RS	Doc No	1st Language ^ 2nd Language á^
© INNMOTICS 2023	Project No	E	Ref No	E
				Sheet F of F