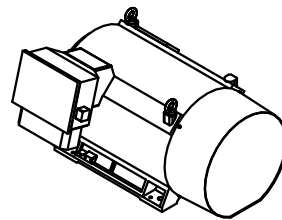
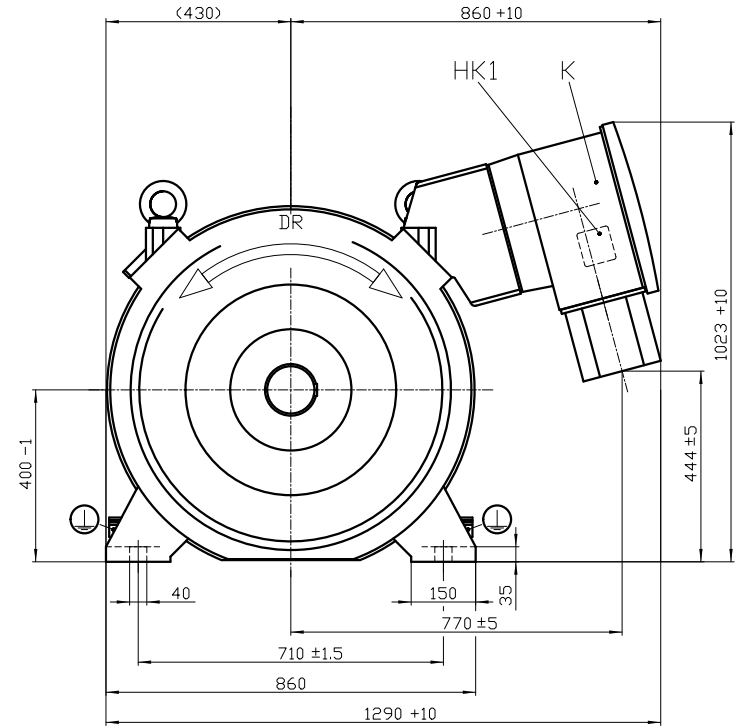
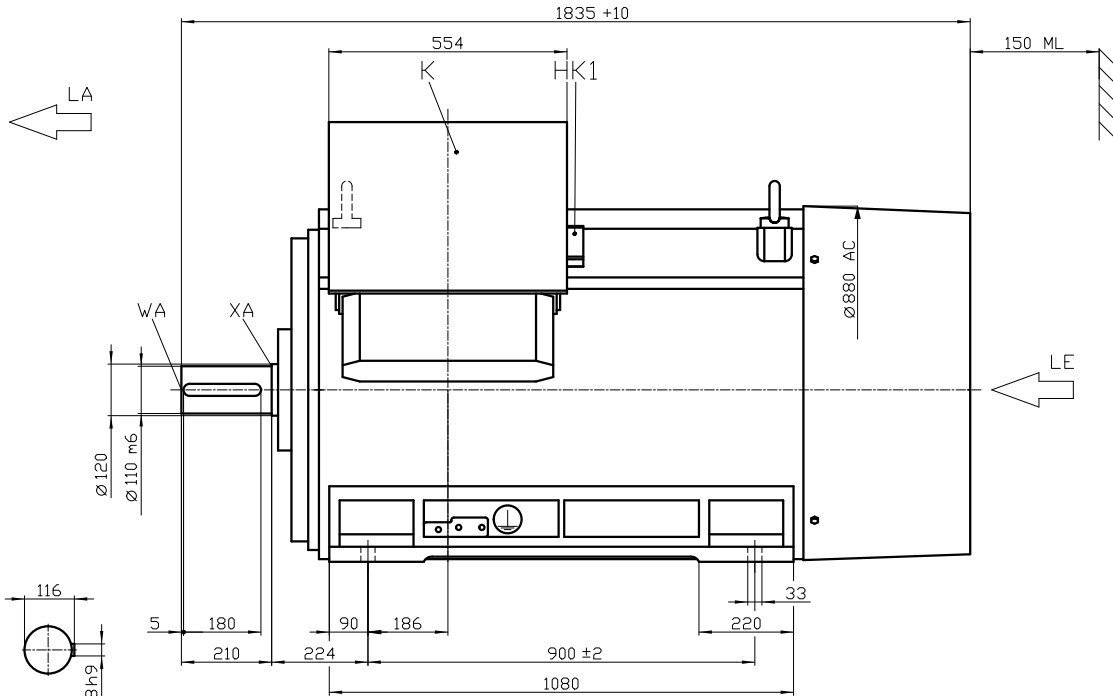


Massbild unverbindlich. Aenderungen konstruktiver Einzelheiten vorbehalten.
 Dimension Drawing subject to change. We reserve the right to change constructional details.



- WA Shaft extension acc. to / Wellenende nach DIN 748 with tapped centre hole acc. to / mit Zentrierbohrung nach DIN 332
- XA Relief groove acc. to / Freistich nach DIN 509
- WB Shaft extension acc. to / Wellenende nach DIN 748 (optional)
- XB Relief groove acc. to / Freistich nach DIN 509 (optional)
- ML Minimum distance for air in / Mindestmaß fuer Lufteintritt
- AC Dimension includes the screw heads / Maß einschließlich Schraubenkoepfe
- MD Minimum distance for dismantling / Mindestabstand fuer Demontage (optional)
- K Terminal box / Klemmenkasten
- HK1 Auxiliary terminal box 1 / Hilfsklemmenkasten 1 (optional)
- HK2 Auxiliary terminal box 2 / Hilfsklemmenkasten 2 (optional)
- HK3 Auxiliary terminal box 3 / Hilfsklemmenkasten 3 (optional)
- HKF Terminal box for seperate driven fan / Terminal box for seperate driven fan (optional)
- HKI Terminal box for pulse generator / Klemmenkasten fuer Impulsgeber (optional)

Notes:					Class:				
Next assembly:					First project:				
Usable for:									
?VERSION?					Release				
DT					Date				
Gen. tolerance:					Scale: 1:12.19				
					kg/Item				
					A23+L97+Y53				
Rev. Description					Title, Supplementary title:				
Date of creation					Machine Dimension Drawing				
Created by					Maschinen-Massbild				
Originator					Typ/Type 1LA8403-4PB80-Z				
Technical reference					ANGEBOT				
Approved by					Document type				
Date of issue					Sheet				
Responsible dept.					Displ. b.				
SIEMENS AG					SFKI				
PD LD					Lang				
Werk Nuernberg Vo					DIN A3				
Displ.									