



Manufacturer

Customer

**VEM motors Thurm GmbH**  
**Äußere Dresdener Str. 35**

**08066 ZWICKAU**  
**Deutschland**

**Three-phase motors with squirrel cage rotor,  
Housing grey cast iron**

Type	IE3-W41R 100 LY2		
Design output	( kW )	3	
Design torque	( Nm )	9,81	
Class IE	( - )	IE3-87,1%	
Efficiency determination	EN 60034-2-1		
Duty type	S1		
Design frequency	( Hz )	50	
Design speed	[rpm]	2920	
Voltage	( V )	400/690	
Connection	( - )	D	Y
Current	( A )	6.0	3.5
Relative pull-in current	( - )	7,7	
Relative starting torque	( - )	2,3	
Relative pull-out torque	( - )	3,5	
Efficiency100/75/50 %	( % )	87,1 / 86,9 / 84,7	
Power factor	( - )	0,82	
Th. cl.	155(F)		
Coolant temperature	( °C )	-20°C...+40°C	
Altitude above sea level	( m )	1000m	
Degree of protection IP	IP55		
Moment of inertia	( kgm <sup>2</sup> )	0,0045	
Motor weight	( kg )	31	
Bearing, D-side	6206 2Z C3		
Bearing, N-side	6206 2Z C3		
Relubrication interval	( h )		
Grease type	Asonic GLY 32		
Grease amount	( g )		
A-sound pressure level	( dB )	a.A.	

**Options**

Type of mounting	IM B3
Flange	-
Terminal box	Standard
Position of terminal box	on the top
Cable gland	Sealing plug
Position of cable entry	right
Shaft	Standard, 1 shaft end
Bearing	Easy bearing arrangement
Limit values to vibration velocity	Class A
Colour system	Balancing with half key 01 Moderate (KK C2),RAL 7031 blue-grey

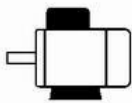
Delivery conditions and/or official regulations: IEC / EN 60034-1

This document was produced electronically, all specifications are valid only after confirmation of the manufacturer

Three-phase motors with squirrel cage rotor,  
Housing grey cast iron

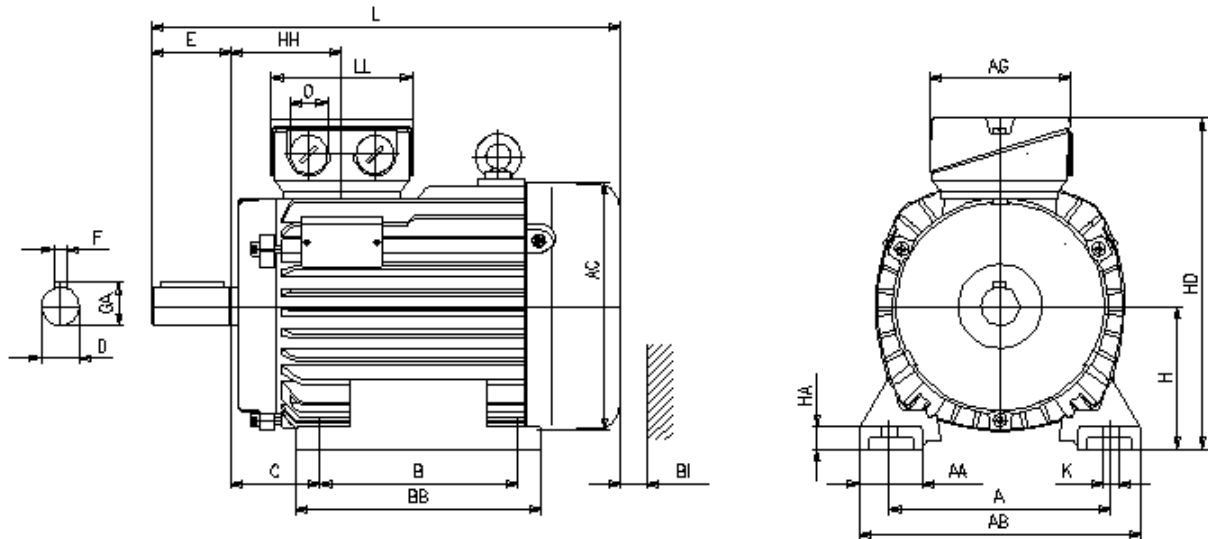
## IE3-W41R 100 LY2

### Mounting position



Type of mounting: IM B3  
Flange -  
Position of terminal box: on the top  
Brake type:  
Forced-ventilation:

Terminal box: KA 05  
Cable gland O: 1 xSealing plug



### Motor

A	AA	AB	AC	AD	B	B'	BA	BA'	BB	C	CA	K	K'
160	42	193	196	-	140	-	-	-	175	63	-	12	12

L	LC	H	HA	HD	HH	BI	Terminal box			
357	-	100	13	236	77	20	AG	LL	BE	AH
							92	92	-	-

### Flange

P	N	LA	M	T	S
-	-	-	-	-	-

### Tolerances

H	N	D	DA
-0,5	j6	k6	k6

### Shaft-DS

D	E	GA	F	DB
28	60	31	8	DIN 332 DS- M10

### Shaft-NS

DA	EA	GC	FA
-	-	-	-

### DB...Centre hole

Delivery conditions and/or official regulations: IEC / EN 60034-1

This document was produced electronically, all specifications are valid only after confirmation of the manufacturer