



Manufacturer

Customer

VEM motors GmbH
Carl-Friedrich-Gauß-Straße 1

38855 WERNIGERODE
Deutschland

Three-phase motors with squirrel cage rotor, standard motors

Housing grey cast iron

Type	IE2-WE1R 180 M2 HW		
Design output	(kW)	22	
Design torque	(Nm)	72	
Class IE	(-)	IE2-91,3%	
Efficiency determination		EN 60034-2-1	
Duty type		S1	
Design frequency	(Hz)	50	
Design speed	[rpm]	2935	
Voltage	(V)	230/400	
Connection	(-)	D	Y
Current	(A)	67.0	38.5
Relative pull-in current	(-)	6,2	
Relative starting torque	(-)	1,4	
Relative pull-out torque	(-)	2,4	
Efficiency100/75/50 %	(%)	91,3 / 90,6 / 86,4	
Power factor	(-)	0,9	
Th. cl.		155(F/B)	
Coolant temperature	(°C)	40°C	
Altitude above sea level	(m)	1000m	
Degree of protection IP		IP55	
Moment of inertia	(kgm ²)	0,105	
Motor weight	(kg)	173	
Bearing, D-side		6310 C3	
Bearing, N-side		6310 C3	
Relubrication interval	(h)		
Grease type		ASONIC GHY 72	
Grease amount	(g)		
A-sound pressure level	(dB)	72	

Standards and regulations

IEC / EN 60034-1

Options

Terminal box	Standard
Position of terminal box	on the top
Cable gland	Sealing plug
Position of cable entry	right
Shaft	Standard
Special details to bearings	Fixed bearing, N-side
Bearing monitoring	none
Anti-condensation heating	none
Limit values to vibration velocity	Class A
Colour system	Balancing with half key 01 Moderate (KK C2),RAL 7031 blue-grey,70 µm

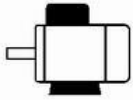
Delivery conditions and/or official regulations: IEC / EN 60034-1

This document was produced electronically, all specifications are valid only after confirmation of the manufacturer

Three-phase motors with squirrel cage rotor, standard motors
Housing grey cast iron

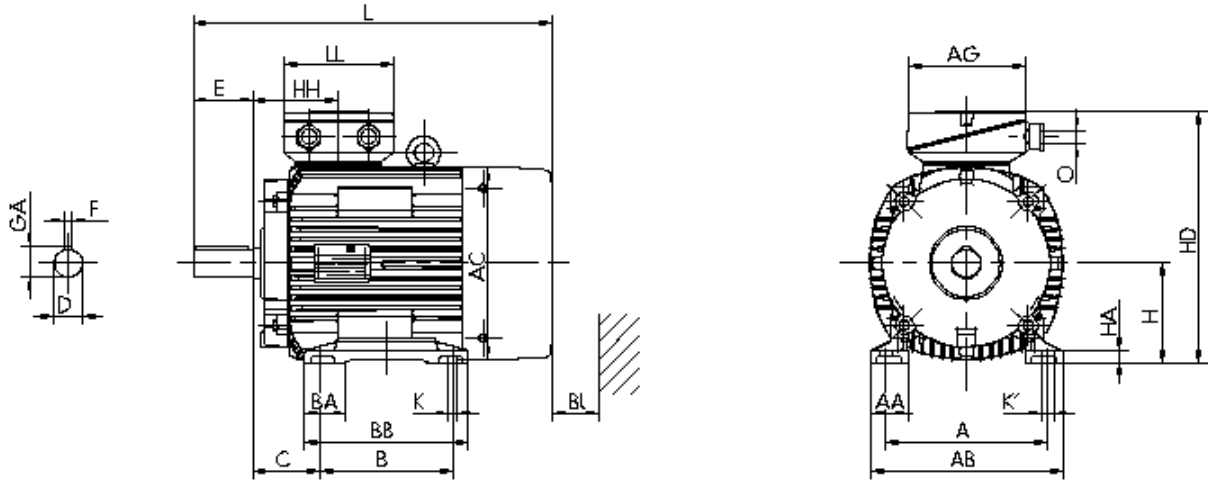
IE2-WE1R 180 M2 HW

Mounting position



Type of mounting: IM B3
Flange: -
Position of terminal box: on the top
Brake type:
Forced-ventilation:

Terminal box: KK 63 A
Cable gland O: 1 xSealing plug



Motor

A	AA	AB	AC	AD	B	B'	BA	BA'	BB	C	CA	K	K'
279	62	328	351	-	241		65	-	288	121	-	15	20

Terminal box

L	LC	H	HA	HD	HH	BI	AG	LL	BE	AH
635	-	180	20	441	147	35	193	167	-	-

Flange

P	N	LA	M	T	S
-	-	-	-	-	-

Tolerances

H	N	D	DA
-0,5	h6	k6	k6

Shaft-DS

D	E	GA	F	DB
48	110	51,5	14	DIN 332 DS- M16

Shaft-NS

DA	EA	GC	FA
-	-	-	-

DB...Centre hole

Delivery conditions and/or official regulations: IEC / EN 60034-1

This document was produced electronically, all specifications are valid only after confirmation of the manufacturer