



Manufacturer

Customer

**VEM motors Thurm GmbH**  
**Äußere Dresdener Str. 35**

**D-08066 Zwickau**

Three-phase motors with squirrel cage rotor, standard motors  
 Housing grey cast iron

Type		K21R 71 K2			
Duty type		S1			
Design output	( kW )	0,37			
Efficiency determination	( - )	EN 60034-2			
Design frequency	( Hz )	50			
Design speed	[rpm]	2780			
Design voltage	( V )	230/400			
Connection	( - )	D		Y	
Design current	( A )	1.6		0.9	
Relative pull-in current	( - )	4,4			
Relative starting torque	( - )	2,1			
Relative pull-up torque	( - )	2,1			
Relative pull-out torque	( - )	2,3			
Loading state	( % )	100		75	50
Power factor	( - )	0,79		0,72	0,57
Efficiency	( % )	71,5		69,7	65
Th. cl.		155(F)			
Coolant temperature	( °C )	40°C			
Altitude above sea level	( m )	1000m			
Degree of protection		IP55			
Moment of inertia	( kgm <sup>2</sup> )	0,00025			
Motor weight	( kg )	6,7			
Bearing, D-side		6202 2Z C3			
Bearing, N-side		6202 2Z C3			
Relubrication interval	( h )				
Grease type		Asonic GLY 32			
Grease amount	( g )				
A-sound pressure level	( dB )	48			
Special details to bearings 1		none			
Special details to bearings 2		none			
Bearing monitoring		none			
Winding protection		none			
Winding protection 2		none			
Anti-condensation heating		none			
Special versions 1		none			
Special versions 2		none			
Special versions 3		none			
Special versions 4		none			
Limit values to vibration velocity		Class A			
Balancing with half key					
Colour system		01 Moderate (KK C2)			
Colour shade		RAL 7031 blue-grey			
Layer thickness		60 µm			

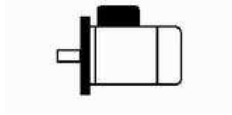
**Delivery conditions and/or official regulations: IEC / EN 60034-1**

**This document was produced electronically, all specifications are valid only after confirmation of the manufacturer**

Three-phase motors with squirrel cage rotor, standard motors  
Housing grey cast iron

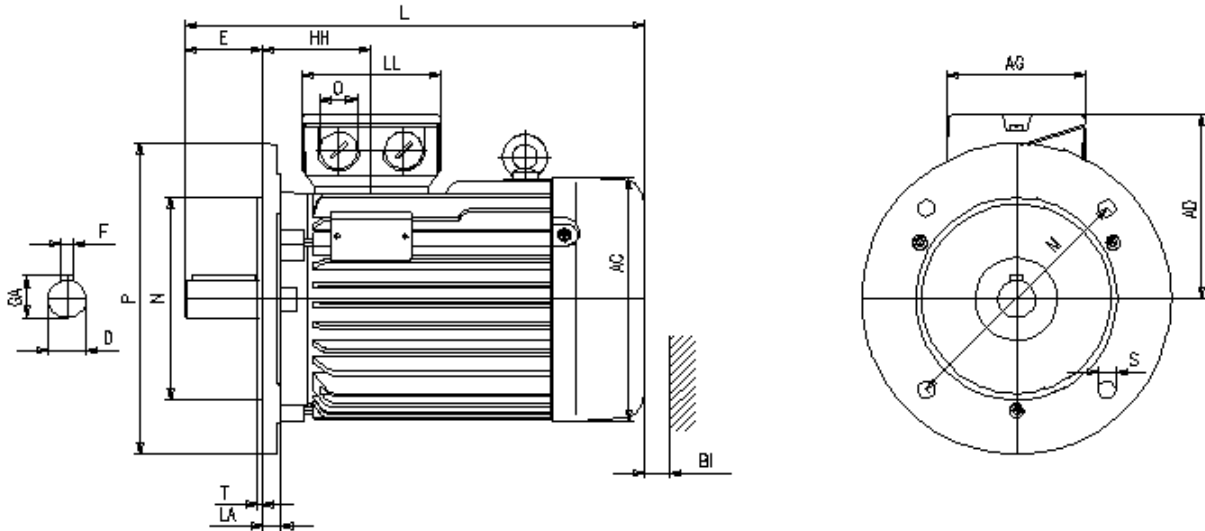
## K21R 71 K2

### Mounting position



Type of mounting: IMB5  
Flange: FF 130[A 160]  
Position of terminal box: on the top

Terminal box: KA 05  
Cable gland O: 1 xSealing plug



### Motor

A	AA	AB	AC	AD	B	B'	BA	BA'	BB	C	CA	K	K'
-	-	-	124	104	-	-	-	-	-	-	-	-	-

### Terminal box

L	LC	H	HA	HD	HH	BI	AG	LL	BE	AH
206	-	71	-	-	61	14	92	92	-	-

### Flange

P	N	LA	M	T	S
160	110	9	130	3,5	9

### Tolerances

H	N	D	DA
-0,5	j6	k6	k6

### Shaft-DS

D	E	GA	F	DB
14	30	16	5	DIN 332-DS M5 -

### Shaft-NS

DA	EA	GC	FA
-	-	-	-

### DB...Centre hole

Delivery conditions and/or official regulations: IEC / EN 60034-1

This document was produced electronically, all specifications are valid only after confirmation of the manufacturer