

SIEMENS



FLENDER Standard Couplings

FLENDER couplings

Catalog
MD 10.1

Edition
2015

Answers for industry.

Related catalogs


ARPEX MD 10.2
High Performance Couplings

E86060-K5710-A121-A1-7600




SIPEX and BIPEX-S MD 10.3
Backlash-free Couplings

E86060-K5710-A131-A1-7600




ARPEX MD 10.5
Composite Couplings

E86060-K5710-A151-A2-7400




ARPEX MD 10.10
Couplings Miniature

E86060-K5710-A211-A2-6300




ARPEX MD 10.11
Torque Limiters

E86060-K5710-A221-A2-7400




FLENDER SIG MD 30.1
Standard industrial gear units

E86060-K5730-A111-A3-7600




FLENDER SIP MD 31.1
Standard Industrial Planetary Gear Units

E86060-K5731-A111-A3-7600




Gear Units MD 20.1
Sizes 3–22

E86060-K5720-A111-A2-6300




Gear Units MD 20.11
Sizes 23–28

E86060-K5720-A211-A3-6300



Gear Units MD 20.12
Fast Track

E86060-K5720-A221-A1-6300




Bucket Elevator Drives MD 20.2

E86060-K5720-A121-A3-6300




PLANUREX 2 MD 20.3
Planetary Gear Units

E86060-K5720-A131-A2-6300




Paper Machine Drives MD 20.5

E86060-K5720-A151-A2-6300




Conveyor Drives MD 20.6

E86060-K5720-A161-A2-6300




Marine Reduction Gearboxes MD 20.7

E86060-K5720-A171-A1-7400



DUORED 2 MD 20.8
Helical Gear Units, Load-sharing

E86060-K5720-A181-A1-6300




Pinion Drive for Tube Mills MD 20.9

E86060-K5720-A191-A1-7400



Industry Mall
Information and Ordering Platform
in the Internet:

www.siemens.com/industrymall



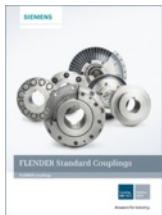


FLENDER Standard Couplings

Catalog MD 10.1 · 2015

Dear Customer,

We take pleasure in presenting you with the new Catalog MD 10.1 2015 Edition, which replaces the 2011 Edition. This catalog contains the whole up-to-date product range of our standard couplings, such as:



- ZAPEX ZW, ZAPEX ZN – Torsionally rigid gear couplings
- ARPEX – Torsionally rigid all-steel couplings
- N-EUPEX, N-EUPEX DS – Flexible couplings
- RUPEX – Flexible couplings
- N-BIPEX – Flexible couplings
- ELPEX-B, ELPEX-S, ELPEX – Highly flexible couplings
- FLUDEX – Fluid couplings



We hope that you will enjoy using Catalog MD 10.1 for all your ordering information. Any ideas and suggestions for improvement will be gratefully received.

Couplings can also be selected in the product configurator of the **X.CAT NG** PC software, specified using selection menus and assigned their respective order numbers.

You can download **X.CAT NG** free of charge on the Internet at:

www.siemens.com/couplings



The **X.CAT NG** software is also available as an installation CD-ROM from your Siemens contact partner.

You can also access our catalog and online ordering system (Industry Mall) on the Internet at:

www.siemens.com/industrymall

Yours truly,



Nicola Warning
Head of BSS FLINDER Couplings

Siemens AG, Process Industries and Drives, Mechanical Drives

Answers for industry.

FLENDER couplings Standard Couplings

Catalog MD 10.1 · 2015



The products and systems described in this catalog are manufactured/distributed under application of a certified quality management system in accordance with DIN EN ISO 9001 (Certified Registration No. 01 100 000708). The certificate is recognized by all IQNet countries.

Supersedes:
Catalog MD 10.1 · 2011

Refer to the Industry Mall for current updates of this catalog:

www.siemens.com/industrymall

The products contained in this catalog can also be found in the e-Catalog CA 01.

Article No.:

E86060-D4001-A510-D4-7600

Please contact
your local
Siemens branch

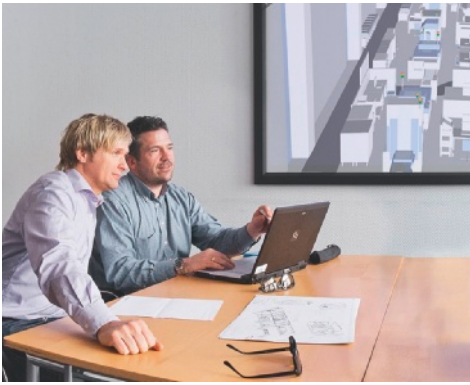
© Siemens AG 2015



Printed on paper from sustainably managed forests and controlled sources.

www.pefc.org

1	Introduction	
2	Technical Information	
3	Coupling Preselection and Options	
4	Torsionally Rigid Gear Couplings	ZAPEX ZW
5		ZAPEX ZN
6	Torsionally Rigid All-Steel Couplings	ARPEX
7	Flexible Couplings	N-EUPEX
8		RUPEX
9		N-BIPEX
10	Highly Flexible Couplings	ELPEX-B
11		ELPEX-S
12		ELPEX
13	Fluid Couplings	FLUDEX
14	Taper Clamping Bushes	
15	Appendix	Fitting recommendations, Contact partners



Answers for industry.

Integrated technologies, vertical market expertise and services for greater productivity, energy efficiency, and flexibility.

Siemens is the world's leading supplier of innovative and environmentally friendly products and solutions for industrial companies. End-to-end automation technology and industrial software, solid market expertise, and technology-based services are the levers we use to increase our customers' productivity, efficiency and flexibility.

We consistently rely on integrated technologies and, thanks to our bundled portfolio, we can respond more quickly and flexibly to our customers' wishes. With our globally unmatched range of automation technology, industrial control and drive technology as well as industrial software, we equip companies with exactly what they need over their entire value chain – from product design and development to production, sales and service. Our industrial customers benefit from our comprehensive portfolio, which is tailored to their market and their needs.

Market launch times can be reduced by up to 50% due to the combination of powerful automation technology and industrial software. At the same time, the costs for energy or waste water for a manufacturing company can be reduced significantly. In this way, we increase our customers' competitive strength and make an important contribution to environmental protection with our energy-efficient products and solutions.

Introduction



1/2

Overview

FLENDER Standard Couplings

Introduction

Overview

The mechanical drive train comprises individual units such as motor, gear unit and driven machine. The coupling connects these component assemblies.

As well as the transmission of rotary motion and torque, other requirements may be made of the coupling.

- Compensation for shaft misalignment with low restorative forces
- Control of characteristic angular vibration frequency and damping
- Interruption or limitation of torque
- Noise insulation, electrical insulation

Couplings are frequently chosen after the machines to be connected have already been selected. Thanks to a large number of different coupling assembly options, specified marginal conditions for clearance and connection geometry can be met from the standard range. The coupling also performs secondary functions, e.g. providing a brake disk or brake drum for operating or blocking brakes, devices to record speed or the attachment of sprockets or pulleys.

Couplings are divided into two main groups, couplings and clutches.

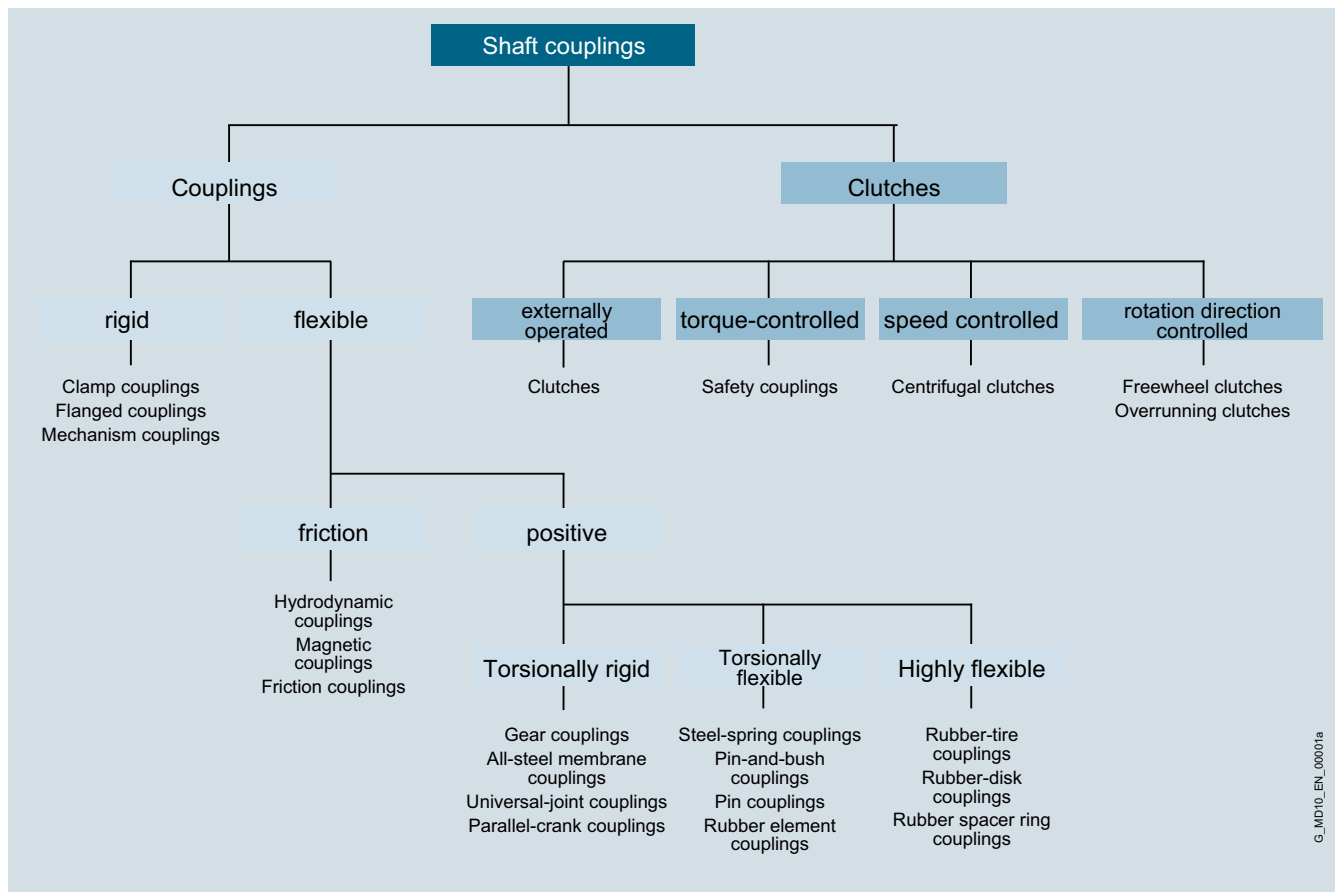
Clutches interrupt or limited the transmissible torque. The engaging and disengaging forces on externally operated clutches are introduced via a mechanically, electrically, hydraulically or pneumatically operating mechanism. Overload, centrifugal or freewheel clutches draw their engaging energy from the transmitted output.

Rigid couplings, designed as clamp, flanged or mechanism couplings, connect machines which must not undergo any shaft misalignment. Hydrodynamic couplings, often also called fluid or Föttinger couplings, are used as starting couplings in drives with high mass moments of inertia of the driven machine. In drive technology very often flexible, positive couplings, which may be designed to be torsionally rigid, torsionally flexible or highly flexible, are used.

Torsionally rigid couplings are designed to be rigid in a peripheral direction and flexible in radial and axial directions. The angle of rotation and torque are conducted through the coupling without a phase shift.

Torsionally flexible couplings have resilient elements usually manufactured from elastomer materials. Using an elastomer material with a suitable ShoreA hardness provides the most advantageous torsional stiffness and damping for the application. Shaft misalignment causes the resilient elements to deform.

Highly flexible couplings have large-volume (elastomer) resilient elements of low stiffness. The angle of rotation and torque are conducted through the coupling with a considerable phase shift.



G_MD10_EN_00001a

Technical Information



2/2	Shaft misalignment
2/2	Restorative forces
2/3	Balancing
2/4	Shaft-hub connections
2/4	Assembly
2/4	Contact protection
2/4	Maintenance
2/5	Corrosion protection
2/5	Ambient conditions
2/5	ATEX and EC Machinery Directive
2/5	Overload conditions
2/5	Coupling behavior under overload conditions
2/5	Torsional and bending vibrations
2/6	Standards
2/6	Formula symbols

FLENDER Standard Couplings

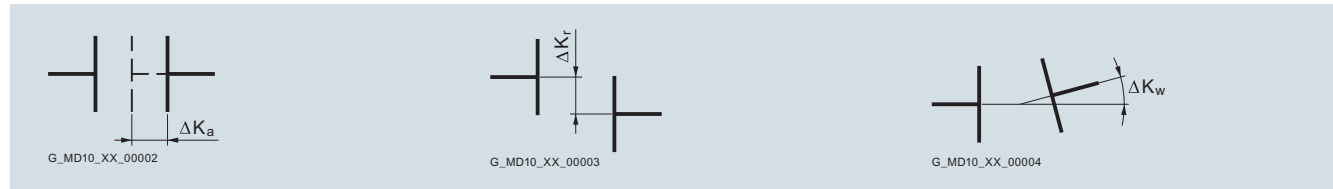
Technical Information

Overview

Shaft misalignment

Shaft misalignment is the result of displacement during assembly and operation and, where machines constructed with two radial bearings each are rigidly coupled, will cause high loads being placed on the bearings. Elastic deformation of base frame, foundation and machine housing will lead to shaft misalignment which cannot be prevented, even by precise alignment.

Depending on the direction of the effective shaft misalignment a distinction is made between:



Axial misalignment

Radial misalignment

Angular misalignment

Couplings can be categorized into one of the following groups:

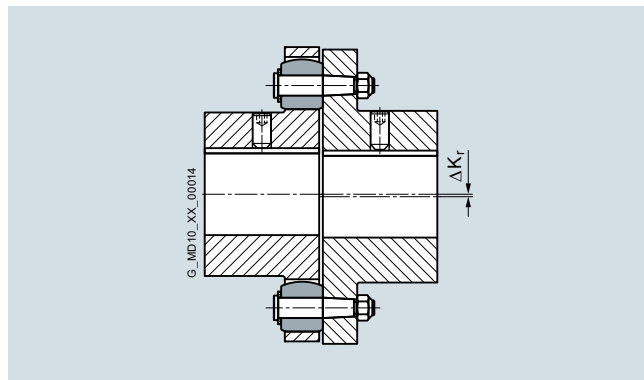
• Single-joint couplings

Couplings with flexible elements mainly made of elastomer materials. Shaft misalignment results in deformation of the elastomer elements. The elastomer elements can absorb shaft misalignment as deformations in an axial, radial and angular direction. The degree of permissible misalignment depends on the coupling size, the speed and the type of elastomer element.

Single-joint couplings do not require an adapter and are therefore short versions.

• Example:

In the case of a RUPEX RWN 198 coupling with an outer diameter of 198 mm and a speed of 1500 rpm, the permitted radial misalignment is $\Delta K_r = 0.3$ mm.



Restorative forces

Shaft misalignment causes restorative forces to act on the coupled shafts which are determined by the displacement stiffness of the coupling. These restorative forces are frequently comparatively weak and can usually be disregarded. Where bearings or shafts are under heavy loads, the restorative forces should be taken into account.

Furthermore, because individual components of the drive train heat up differently during operation, heat expansion of the machine housings causes shaft misalignment.

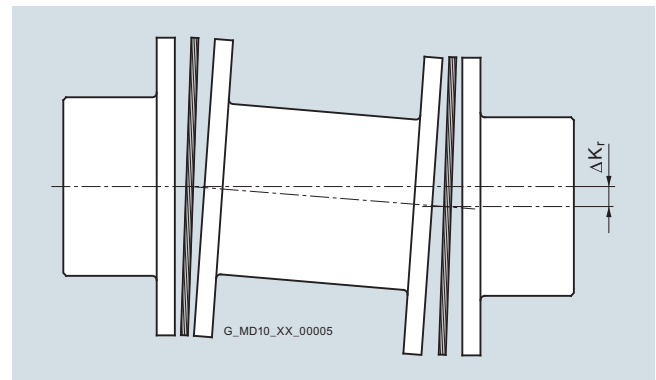
Poorly aligned drives are often the cause of seal, rolling bearing or coupling failure. Alignment should be carried out by specialist personnel in accordance with Siemens operating instructions.

• Two-joint couplings

Two-joint couplings are always designed with an adapter. The two joint levels are able to absorb axial and angular misalignment. Radial misalignment occurs via the gap between the two joint levels and the angular displacement of the joint levels. The permitted angular misalignment per joint level is frequently about 0.5° . The permitted shaft misalignment of the coupling can be adjusted via the length of the adapter. If there are more than two joint levels, it is not possible to define the position of the coupling parts relative to the axis of rotation. (The less frequently used parallel-crank couplings are an exception).

• Example:

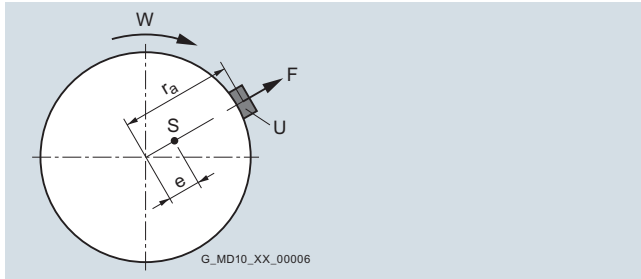
ARPEX ARS-6 NEN 210-6 coupling with a shaft distance of 160 mm with a permitted radial misalignment of $\Delta K_r = 1.77$ mm (angle per joint level 0.7°).



Balancing

Because of primary shaping processes and machining, the coupling components are manufactured with a mass distribution about the axis of rotation of the motor, gear unit or driven machine which is not always ideal.

Balancing means improving the mass distribution of a rotating body so that it rotates on its bearings with a sufficiently limited effect of free centrifugal forces.



The imbalance force increases linearly with the distance between the center of gravity of the body and the axis of rotation, the weight of the body and the rotor speed squared.

F = imbalance force

S = center of gravity of the body

e = distance of center of gravity of body from the pivot axis

In the case of rotating unbalanced coupling parts rotary, imbalance forces develop which impose loads on the bearings of the machine shafts and excite vibration. High vibration values on drives are frequently detected as early as initial start-up if the balance of the machine shafts or the mounted coupling parts is insufficient or the balancing specifications are incompatible. The balance condition of the coupling can be measured on balancing machines. By adding or drilling away material, a balance condition which meets the requirements can be achieved.

Balance quality levels

The so-called quality level G to DIN ISO 1940 indicates a range of permitted residual imbalance from zero up to an upper limit. Applications can be grouped on the basis of similarity analysis. For many applications a coupling balance quality of $G 16$ is sufficient. On drives susceptible to vibration the balance quality should be $G 6.3$. Only in special cases is a better balance quality required.

Single- and two-level balancing

For discoid bodies (such as brake disks, coupling hubs) so-called single-level balancing is carried out. The mass compensation for the imbalance is undertaken at a single level only. For historical reasons single-level balancing is also known as static balancing. On long bodies such as adapters mass compensation must be implemented at two levels to reduce the couple imbalance. Two-level balancing is carried out while the rotor body is rotating. Historically, this is known as dynamic balancing.

Balancing standard in accordance with DIN ISO 21940-32

Besides the required balance quality, it is necessary to set standards which define how the mass of the parallel key is to be taken into consideration when balancing. In the past, motor rotors have frequently been balanced in accordance with the full parallel key standard. The "appropriate" balance condition of the coupling hub was described as "balancing with open keyway" or "balancing after keyseating". Today it is usual for the motor rotor, as well as the gear unit and driven machine shaft, to be balanced in accordance with the half parallel key standard.

Full parallel key standard

The parallel key is inserted in the shaft keyway, then balancing is carried out. The coupling hub must be balanced without parallel key after keyseating. Marking of shaft and hub with "F" (for "full").

Half parallel key standard

The balancing standard normally applied today. Before balancing, a half parallel key is inserted in the shaft and another in the coupling hub. Alternatively, balancing can be carried out before cutting the keyway. The balanced parts must be marked with an "H". This marking can be dispensed with if it is absolutely clear which parallel key standard has been applied.

No parallel key standard

Balancing of shaft and coupling hub after keyseating, but without parallel key. Not used in practice. Marking of shaft and hub with "N" (for "no").

The length of the parallel key is determined by the shaft keyway. Coupling hubs may be designed considerably shorter than the shaft. To prevent imbalance forces caused by projecting parallel key factors when balancing in accordance with the half parallel key standard in the case of applications with high balancing quality requirements, grooved spacer rings can be fitted or stepped parallel keys used.

Siemens Balancing Standard

The balancing quality level, together with the operating speed, results in the maximum permissible eccentricity of the center of gravity of the coupling or the coupling subassembly. In the Siemens article number the balancing quality can be preset with the help of the order code. Additionally, also the balance quality level to DIN ISO 1940 can be preset together with the operating speed belonging to it, which then be taken as priority.

The procedure to determine the Siemens balancing quality is as follows:

Operating speed and required balancing quality level are known from the application. Using these values, the required eccentricity of the center of gravity can be calculated using the specified formula context or the following graph. The eccentricity of the center of gravity of the coupling must be less than the required eccentricity of the center of gravity to achieve the required balancing quality. The associated article number must be stated in the order; only if standard balancing has been selected is the article number to be dispensed with

$$e_{\text{perm}} = 9600 \cdot \frac{G}{n}$$

$$e_{\text{coupl}} \leq e_{\text{perm}}$$

permitted:

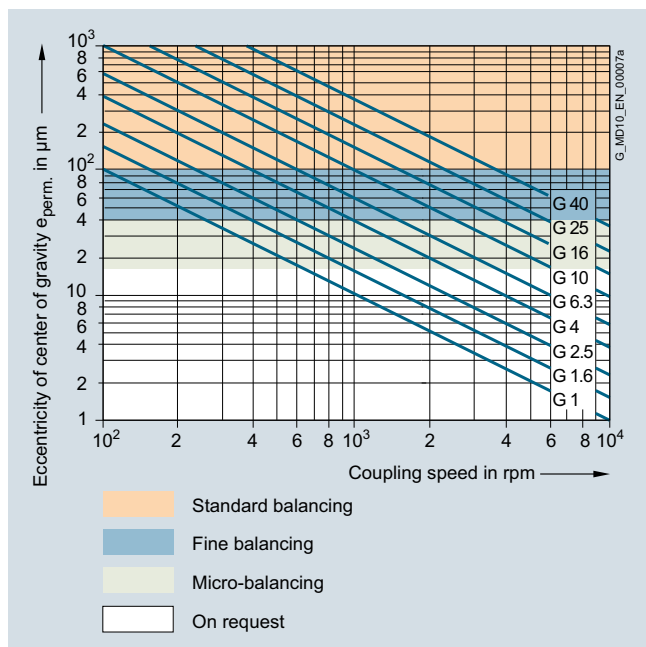
Eccentricity of center of gravity of the coupling	e_{perm}	in μm
Eccentricity of center of gravity of the coupling	e_{coupl}	in μm
Balancing quality level	G	in mm/s
Coupling speed	n	in rpm

Eccentricity of center of gravity of coupling e_{coupl}	Siemens balancing quality	Order code
maximum 100 μm	standard balancing	without specification
maximum 40 μm	fine balancing	W02
maximum 16 μm	micro-balancing	W03
better than 16 μm	special balancing	on request

Order code to determine the balance quality level to DIN ISO 1940 and the operating speed:
Y95 { $G = _;$ $n = _ \text{rpm}$ }.

FLENDER Standard Couplings

Technical Information



Example:

Coupling speed = 1450 rpm
required balancing quality level G 6.3

$$e_{\text{perm.}} = 9600 \cdot \frac{G}{n} = 9600 \cdot \frac{6.3}{1450} \mu\text{m}$$

Thus, the required eccentricity of center of gravity is 41.7 μm . The fine balancing with a maximum eccentricity of center of gravity of 40 μm fulfills this requirement; therefore, the order code W02 has to be specified when ordering.

For many applications the following balancing quality recommendation applies:

	Standard balancing	Fine balancing
Coupling	$v = DA \cdot n/19100$	
Short version with $LG \leq 3 \times DA$	$v \leq 30 \text{ m/s}$	$v > 30 \text{ m/s}$
Long version with $LG > 3 \times DA$	$v \leq 15 \text{ m/s}$	$v > 15 \text{ m/s}$

Peripheral speed	v	in m/s
Coupling outer diameter	DA	in mm
Coupling speed	n	in rpm
Coupling length	LG	in mm

The following standards on balancing must be observed:

- couplings are balanced in subassemblies.
- hub parts without finished bore are unbalanced.
- the number of balancing levels (one- or two-level balancing) is specified by Siemens.
- without special specification balancing is done in accordance with the half-parallel-key standard. Balancing in accordance with the full-parallel-key standard must be specified in the order number.
- for FLUDEX couplings special balancing standards specified in Section 13 apply.
- ARPEX couplings in standard balancing quality are unbalanced. Thanks to steel components machined all over and precisely guided adapters the balancing quality of standard balancing is nearly always adhered to.

Shaft-hub connections

The bore and the shaft-hub connection of the coupling are determined by the design of the machine shaft. In the case of IEC standard motors, the shaft diameters and parallel key connections are specified in accordance with DIN EN 50347. For diesel motors, the flywheel connections are frequently specified in accordance with SAE J620d or DIN 6288. Besides the very widely used connection of shaft and hub with parallel keys to DIN 6885 and cylindrically bored hubs, couplings with Taper clamping bushes, clamping sets, shrink-fit connections and splines to DIN 5480 are common.

The form stability of the shaft/hub connection can only be demonstrated when shaft dimensions and details of the connection are available. The coupling torques specified in the tables of power ratings of the coupling series do not apply to the shaft-hub connection unrestrictedly.

In the case of the shaft-hub connection with parallel key, the coupling hub must be axially secured, e.g. with a set screw or end washer. The parallel key must be secured against axial displacement in the machine shaft.

All Siemens couplings with a finished bore and parallel keyway are designed with a set screw. Exceptions are some couplings of the FLUDEX series, in which end washers are used. During assembly, Taper clamping bushes are frictionally connected to the machine shaft.

Assembly

Assembly, start-up, maintenance and servicing of the coupling are described in the operating instructions.

Contact protection

Couplings are rotating components which can pose a risk to the environment. Siemens prescribes fitting couplings with a suitable contact guard, also called a coupling guard in the operating instructions. The contact guard, must provide a firm cover to protect against contact with the rotating coupling. The coupling must also be protected against blows from objects striking it. The coupling guard must enable the coupling to be adequately ventilated. The following guidelines give information on designing the contact guard: 2006/42/EC EC Machinery Directive; EN 13463-1 Section 13.3.2.1; EN 13463-1 Section 7.4; EN 13463-1 Section 8.1.

Maintenance

All-steel membrane couplings of the ARPEX series require no maintenance. If the operating and mounting conditions have been adhered to, only regular visual inspection is required.

Elastomer elements, elastomer seals and lubricants are subject to wear through ageing and loads. To avoid damage to the coupling or failure of the drive, the ZAPEX, N-EUPEX, N-EUPEX DS, RUPEX, N-BIPEX, ELPEX, ELPEX-S, ELPEX-B and FLUDEX series must be maintained in accordance with the operating instructions.

On gear couplings, the lubricant must be changed at regular intervals.

On flexible or highly flexible couplings, the torsional backlash or the torsion angle must be checked at regular intervals under load. If a limit value is exceeded, the elastomer element must be replaced. It is very important to maintain couplings which are operated in a potentially explosive environment, as couplings which are not maintained can become ignition sources.

Corrosion protection

Depending on the environmental conditions, suitable corrosion protection must be specified for the coupling. Unless otherwise specified in the order, steel and cast iron surfaces are shipped with a simple preservative.

Ambient conditions

Because of the environment, the coupling has to meet a large number of additional requirements. Couplings must be as suitable for use in a potentially explosive environment as for use at a high or low ambient temperature. The environment may be defined as chemically aggressive or be subject to laboratory conditions or requirements of food manufacture.

ATEX and EC Machinery Directive

Wherever a potentially explosive environment cannot be ruled out, the machinery used must meet special conditions in order to prevent the outbreak of fire as far as possible. Within the European Union, Directive 94/9/EC applies to these applications. This directive, harmonizes the individual states' legal requirements for explosion prevention and clearly defines the procedure for checking and circulating machines and parts. Whether or not a machine is used in a potentially explosive atmosphere, the manufacturer is required under EC Machinery Directive 2006/42/EC to assess and as far as possible prevent hazards which may arise from his product.

The operator has an obligation to ascertain whether an environment is potentially explosive. Details of this are laid down in Directive 1999/92/EC.

The manufacturer is responsible for ensuring that the product is safe as defined in the EC Machinery Directive and conforms to Directive 94/9/EC if the EX requirement is specified by the operator.

The drive train mostly comprises individual pieces of equipment which are put together to form a subassembly. If the individual pieces of equipment, such as motor, coupling, gear unit or driven machine conform to Directive 94/9/EC, the manufacturer of the overall unit can limit the risk assessment to the additional hazards which arise from the combination of different individual pieces of equipment. The hazards which can arise from the individual pieces of equipment are assessed by the relevant suppliers.

The Directive 2014/34/EU of the European Parliament and of the Council of 26 February 2014 on the harmonisation of the laws of the Member States relating to equipment and protective systems intended for use in potentially explosive atmospheres will supersede the Directive 94/9/EC of 23 March 1994 with effect from 20 April 2016.

The following applies to the products shown in this brochure with a suitable for intended use in potentially explosive atmospheres:

- Products placed on the market before 20 April 2016 meet the requirements of Directive 94/9/EC.
- Products placed on the market from 20 April 2016 meet the requirements of Directive 2014/34/EC.

The coupling series suitable for use in potentially explosive environments are marked with EX in the catalog.

FLENDER couplings are to be rated as components according to the new EC Machinery Directive 2006/42/EC. Therefore, Siemens do not issue a declaration of incorporation for this products.

Overload conditions

Overload conditions are operating conditions that go beyond the limit loads of the coupling.

Overload conditions may occur under abnormal operating conditions, e.g. drive blockage, short circuit or supply deviations, as well as under normal operating conditions, e.g. during starting or breaking. Particularly in the case of high mass moments of inertia of the driven machine, torques that are a multiple of the motor starting torque may become effective during direct starting or star-delta starting.

Overload conditions may damage not only the coupling but also the entire drive train.

Overload conditions can frequently be prevented with special design measures. SIRIUS soft starters or SINAMICS frequency converters are suitable for considerably reducing starting torques of asynchronous motors. If drive blockages and overloads of the driven machine cannot be ruled out, torque limiting SECUREX couplings can prevent damage to the drive train.

Coupling behavior under overload conditions

Coupling behavior under overload where the torque is considerably above the limits of use of the coupling concerned is determined by the engineering design of the coupling series.

The ZAPEX, ARPEX, N-EUPEX, RUPEX and N-BIPEX coupling series can withstand overloads until the breakage of metal parts. These coupling series are designated as fail-safe. Coupling types which can withstand overload, i.e. fail-safe types, are used e.g. in crane systems. In case of coupling breakage due to overloads, the splintering metal parts may cause injury to persons and property damages.

The N-EUPEX DS, ELPEX-B, ELPEX-S and ELPEX coupling series throw overload. The elastomer element of these couplings is irreparably damaged without damage to metal parts when subjected to excessive overload. These coupling series are designated as non-fail-safe. The types that fail can be fitted with a fail-safe device. This component enables emergency operation, even after the rubber element of the coupling has been irreparably damaged.

The fluid couplings of the FLUDEX series withstand a load for a short time. Persistent overload causes the FLUDEX coupling to heat up beyond limits, causing the fuse to operate and so emptying the coupling and interrupting the torque transmission.

Torsional and bending vibrations

On drives which are prone to torsional and bending vibrations, measurements or calculations such as natural frequency calculations, torsional vibration simulations or bending vibration calculations are necessary.

The drive train may, depending on complexity, be regarded as a two-mass vibration-generating system or N-mass vibration-generating system. The vibration-generating masses are defined by the rotating bodies and the couplings by the coupling stiffnesses and shaft stiffnesses. The effect of torsional vibration excitations on the behavior of the system is calculated.

Torsional vibration excitations may occur during the starting of an asynchronous motor, during a motor short circuit or in diesel engine drives. Bending vibrations may be critical if the coupling is insufficiently balanced and/or at an operating speed close to the critical speed.

The details needed for calculating torsional vibration are specified in the coupling catalog:

- Dynamic torsional stiffness
- Damping (specification of the damping coefficient ψ or Lehr's damping $D = \psi/4\pi$).
- Mass moment of inertia of the coupling halves.

FLENDER Standard Couplings

Technical Information

Standards

Machines

2006/42/EC	EC Machinery Directive
94/9/EC	ATEX Directive – Manufacturer – and ATEX Guideline to Directive 94/9/EC
2014/34/EU	ATEX Directive – Manufacturer
1999/92/EC	ATEX Directive – Operator – and ATEX Guideline to Directive 1999/92/EC
DIN EN 13463	Non-electrical equipment for use in potentially explosive atmospheres
DIN EN 1127	Explosive atmospheres, explosion prevention and protection
DIN EN 50347	General-purpose three-phase induction motors having standard dimensions and outputs

Couplings

DIN 740	Flexible shaft couplings Part 1 and Part 2
VDI Guideline 2240	Shaft couplings - Systematic subdivision according to their properties VDI Technical Group Engineering Design 1971
API 610	Centrifugal Pumps for Petroleum, Chemical and Gas Industry Services
API 670	Machinery Protection System
API 671	Special Purpose Couplings for Petroleum, Chemical and Gas Industry Services
ISO 10441	Petroleum, petrochemical and natural gas industries – Flexible couplings for mechanical power transmission-special-purpose applications

Balancing

DIN ISO 1940	Requirements for the balancing quality of rigid rotors
DIN ISO 21940-32	Mechanical vibrations; standard governing the type of parallel key during balancing of shafts and composite parts

Shaft-hub connections

DIN 6885	Driver connections without taper action – parallel keys – keyways
SAE J620d	Flywheels for industrial engines ...
DIN 6288	Internal-combustion piston engines Connection dimensions and requirements for flywheels and flexible coupling
ASME B17.1	Keys and keyseats
DIN EN 50347	General-purpose three-phase induction motors with standard dimensions and output data
BS 46-1:1958	Keys and keyways and taper pins Specification

Formula symbols

Key to the formula symbols

Name	Symbol	Unit	Explanation
Torsional stiffness, dynamic	C_{Tdyn}	Nm/rad	For calculating torsional vibration
Excitation frequency	f_{err}	Hz	Excitation frequency of motor or driven machine
Moment of inertia	J	kgm ²	Moment of inertia of coupling sides 1 and 2
Axial misalignment	ΔK_a	mm	Axial misalignment of the coupling halves
Radial misalignment	ΔK_r	mm	Radial misalignment of the coupling halves
Angular misalignment	ΔK_w	°	Angular misalignment of the coupling halves
Service factor	FB		Factor expressing the real coupling load as a ratio of the nominal coupling load
Frequency factor	FF		Factor expressing the frequency dependence of the fatigue torque load
Temperature factor	FT		Factor taking into account the reduction in strength of flexible rubber materials at a higher temperature
Weight	m	kg	Weight of the coupling
Rated speed	n_N	rpm	Coupling speed
Maximum coupling speed	n_{Kmax}	rpm	Maximum permissible coupling speed
Rated power	P_N	kW	Rated output on the coupling, usually the output of the driven machine
Rated torque	T_N	Nm	Rated torque as nominal load on the coupling
Fatigue torque	T_W	Nm	Amplitude of the dynamic coupling load
Maximum torque	T_{max}	Nm	More frequently occurring maximum load, e.g. during starting
Overload torque	T_{OL}	Nm	Very infrequently occurring maximum load, e.g. during short circuit or blocking conditions
Rated coupling torque	T_{KN}	Nm	Torque which can be transmitted as static torque by the coupling over the period of use.
Maximum coupling torque	T_{Kmax}	Nm	Torque which can be frequently transmitted (up to 25 times an hour) as maximum torque by the coupling.
Coupling overload torque	T_{KOL}	Nm	Torque which can very infrequently be transmitted as maximum torque by the coupling.
Fatigue coupling torque	T_{KW}	Nm	Torque amplitude which can be transmitted by the coupling as dynamic torque at a frequency of 10 Hz over the period of use.
Resonance factor	V_R		Factor specifying the torque increase at resonance
Temperature	T_a	°C	Ambient temperature of the coupling in operation
Damping coefficient	ψ	Psi	Damping parameter

Coupling Preselection and Options



3/2 Selection of the coupling series
 3/2 [Selection and ordering data](#)

3/6 Selection of the coupling size
 3/6 [Selection and ordering data](#)
 3/6 Coupling load in continuous operation
 3/7 Coupling load under maximum and overload conditions
 3/7 Coupling load due to dynamic torque load
 3/7 Checking the maximum speed
 3/7 Checking permitted shaft misalignment
 3/7 Checking bore diameter, mounting geometry and coupling design
 3/7 Coupling behavior under overload conditions
 3/7 Checking shaft-hub connection
 3/7 Checking low temperature and chemically aggressive environment

3/8 Article number key
 3/8 [Overview](#)

3/9 Features of the standard type
 3/9 Ordering examples

3/10 Bore specifications
 3/10 [Options](#)
 3/10 Bore diameter - metric
 3/10 Bore tolerance to DIN ISO 286
 3/11 Bore diameter - imperial

3/12 Special types
 3/12 [Options](#)

FLENDER Standard Couplings

Coupling Preselection and Options

Selection of the coupling series



Selection and ordering data

The coupling series is frequently determined by the driven machine and the design of the drive train. Common selection criteria are listed below and assigned to coupling properties, which are used to select the coupling series. Additionally, the price of the coupling and availability are important criteria for determining the coupling series to be used.

The FLUDEX series operates positively and transmits the torque with the aid of a flowing oil or water filling. FLUDEX couplings are used to reduce starting and/or overload torques. During starting, the motor may, for example, run up within a very short time; because of the FLUDEX coupling, the drive train with the driven machine may accelerate after a delay and without increased torque load.

The FLUDEX coupling cannot compensate for shaft misalignment and is therefore designed in combination with a displacement coupling, a cardan shaft or a belt drive. The displacement coupling may be selected in accordance with the criteria described below.

Selection criterion		ZAPEX	ARPEX	N-EUPEX	N-EUPEX DS	RUPEX	N-BIPEX	ELPEX-B	ELPEX-S	ELPEX
Torque range	Rated coupling torque T_{KN} in Nm	850 ... 7200000	92 ... 1450000	19 ... 62000	19 ... 21200	200 ... 1300000	12 ... 4650	24 ... 14500	330 ... 63000	1600 ... 90000
	Speed range Peripheral speed $v_{max} = DA \cdot n_{max}/19100$	60	100	36	36	60	45	35	66	60
Torque load	uniform									
	non uniform									
	rough			-	-					
	very rough			-	-					
Installation and alignment	Rigid installation, well aligned									
	Rigid installation, roughly aligned			-	-	-	-			
	Flexible installation			-	-	-	-			
Torsional stiffness	Torsionally rigid			-	-	-	-			
	Torsionally flexible	-								
	Highly flexible	-	-	-	-	-	-			
Torque transmission	Free of torsional backlash	-		-	-					
	Low torsional backlash		-	-	-					
	Overload withstand capability									
Assembly	Plug-in assembly		-							
	with Taper clamping bushes	-								
Maintenance	Wear parts easily dismountable									
	Maintenance-free	-		-						
	Low-maintenance - interval 1 year		-							
Environment	ATEX Approval									
	Operating temperature range	-20 ... +80 °C	-40 ... +280 °C	-50 ... +100 °C	-30 ... +80 °C	-50 ... +100 °C	-50 ... +100 °C	-50 ... +70 °C	-40 ... +120 °C	-40 ... +80 °C
	Chemically aggressive									
Coupling material	Cast iron	-	-							
	Steel			-	-					
	Stainless steel	-		-	-					
Add-on parts / types	Adapter									
	Brake disk									
	Brake drum									
	Axial backlash limiter			-	-					
	Shiftgear			-	-					
	Flange type									
	Flange to SAE J620d									

	Standard
	On request
-	Not possible

FLENDER Standard Couplings

Coupling Preselection and Options

Selection of the coupling series

Typical coupling solutions for different example applications

The specified application factors are recommendations; regulations, rules and practical experience take priority as assessment criteria.

No application factor need be taken into account with FLUDEX couplings. In the case of highly flexible couplings of the ELPEX, ELPEX-S and ELPEX-B series, deviating application factors are stated in the product descriptions.

Example applications	Application factor FB	FLUDEX	ZAPEX	ARPEX	N-EUPEX	RUPEX	N-BIPEX	ELPEX-B	ELPEX-S	ELPEX
Electric motor without gear unit										
Centrifugal pumps	1.0 ... 1.5								-	-
Piston pumps	1.5 ... 2.0				-					
Vacuum pumps	1.5 ... 1.75									
Fans with T_N less than 75 Nm	1.5 ... 1.75									
Fans with T_N from 75 to 750 Nm	1.75 ... 2.0									
Fans with T_N larger than 750 Nm	1.75 ... 2.0						-			
Blowers	1.5 ... 2.0									
Frequency converters / generators	1.25 ... 1.75								-	
Reciprocating compressors	1.75 ... 2.5				-					
Screw-type compressors	1.5 ... 1.75									
Internal-combustion engine without gear unit										
Generators	1.75 ... 2.5		-	-						
Pumps	1.5 ... 1.75		-							
Fans	1.75 ... 2.5		-		-					
Hydraulic pumps, excavators, construction machines	1.5 ... 1.75									-
Compressors / screw-type compressors	1.5 ... 1.75									
Agricultural machinery	1.75 ... 2.5									
Other										
Turbine gear units	1.5 ... 1.75				-	-	-	-	-	-
Hydraulic motor - gear unit	1.25 ... 1.5	-								
Electric motor with gear unit										
Chemical industry										
Extruders	1.5 ... 2.0	-								-
Pumps - centrifugal pumps	1.0 ... 1.5								-	-
Pumps - piston pumps	1.75 ... 2.5									
Pumps - plunger pumps	1.5 ... 1.75									
Reciprocating compressors	1.75 ... 2.5									
Calenders	1.5 ... 1.75									-
Kneaders	1.75 ... 2.5									
Cooling drums	1.25 ... 1.5							-	-	-
Mixers	1.25 ... 1.5							-	-	-
Stirrers	1.25 ... 1.5								-	-
Toasters	1.25 ... 1.5	-							-	-
Drying drums	1.25 ... 1.5								-	-
Centrifuges	1.25 ... 1.5								-	-
Crushers	1.5 ... 2.5								-	
Power generation and conversion										
Compressed air, reciprocating compressors	1.75 ... 2.5				-					
Compressed air, screw-type compressors	1.25 ... 1.5	-						-		
Air - Blowers	1.5 ... 1.75									
Air - Cooling tower fans	1.5 ... 1.75									
Air - Turbine blowers	1.5 ... 1.75	-			-			-	-	-
Generators, converters	1.25 ... 1.5								-	-
Welding generators	1.25 ... 1.5	-							-	-
Metal production, iron and steel works										
Plate tilters	1.5 ... 2.0	-			-				-	
Ingot pushers	1.75 ... 2.5	-			-				-	
Slabbing mill	1.75 ... 2.5	-			-				-	
Coiling machines	1.5 ... 2.0	-			-				-	
Roller straightening machines	1.5 ... 2.0	-			-				-	
Roller tables	1.75 ... 2.5	-			-				-	
Shears	1.75 ... 2.0	-			-				-	
Rollers	1.75 ... 2.0	-			-				-	




Preferred solution
 Possible, less common
 Uncommon

FLENDER Standard Couplings

Coupling Preselection and Options

Selection of the coupling series

Example applications	Application factor FB	FLUDEX	ZAPEX	ARPEX	N-EUPEX	RUPEX	N-BIPEX	ELPEX-B	ELPEX-S	ELPEX
Metal working machines										
Plate bending machines	1.5 ... 2.0	-			-		-		-	
Plate straightening machines	1.5 ... 2.0	-			-		-		-	
Hammers	1.75 ... 2.5	-			-		-		-	
Planing machines	1.75 ... 2.5	-			-		-		-	
Presses, forging presses	1.75 ... 2.0	-			-		-		-	
Shears	1.5 ... 2.0	-			-		-		-	
Grinding machines	1.25 ... 1.75	-			-				-	
Punches	1.5 ... 2.0	-			-		-		-	
Machine tools: Main drives	1.5 ... 1.75	-			-	-	-	-	-	-
Machine tools: Auxiliary drives	1.25 ... 1.5	-			-	-		-	-	-
Food industry										
Filling machines	1.25 ... 1.5	-			-	-		-	-	-
Kneading machines	1.5 ... 2.0				-			-	-	-
Mashers	1.5 ... 2.0				-			-	-	-
Sugar cane production	1.5 ... 2.0						-	-	-	-
Production machines										
Construction machines, hydraulic pumps	1.25 ... 1.5	-			-			-	-	-
Construction machines, traversing gears	1.5 ... 1.75									
Construction machines, suction pumps	1.5 ... 1.75	-			-				-	-
Construction machines, concrete mixers	1.5 ... 1.75				-		-			
Printing machines	1.25 ... 1.5	-			-			-	-	-
Woodworking - barking drums	1.5 ... 2.0									
Woodworking - planing machines	1.5 ... 2.0	-			-		-		-	-
Woodworking - reciprocating saws	1.5 ... 1.75	-			-		-		-	-
Grinding machines	1.5 ... 1.75	-			-				-	-
Textile machines - winders	1.5 ... 1.75	-			-				-	-
Textile machines - printing machines	1.5 ... 1.75	-			-				-	-
Textile machines - tanning vats	1.5 ... 1.75	-			-				-	-
Textile machines - shredders	1.5 ... 1.75	-			-				-	-
Textile machines - looms	1.5 ... 1.75	-			-				-	-
Packaging machines	1.5 ... 1.75	-			-				-	-
Brick molding machines	1.75 ... 2.0	-			-				-	-
Transport and logistics										
Passenger transport - elevators	1.5 ... 2.0	-			-		-	-	-	-
Passenger transport - escalators	1.5 ... 2.0	-			-		-	-	-	-
Conveyor systems - bucket elevators	1.5 ... 2.0									
Conveyor systems - hauling winches	1.5 ... 2.0									
Conveyor systems - belt conveyors	1.5 ... 2.0									
Conveyor systems - endless-chain conveyors	1.5 ... 2.0									
Conveyor systems - circular conveyors	1.5 ... 2.0									
Conveyor systems - screw conveyors	1.5 ... 2.0									
Conveyor systems - inclined hoists	1.5 ... 2.0									
Crane traversing gear	1.5 ... 2.0	-			-		-	-	-	-
Hoisting gear	1.5 ... 2.0	-			-		-	-	-	-
Crane lifting gear	2.0 ... 2.5	-			-		-	-	-	-
Crane traveling gear	1.5 ... 1.75	-			-				-	-
Crane slewing gear	1.5 ... 1.75	-			-				-	-
Crane fly jib hoists	1.5 ... 2.0	-			-		-	-	-	-
Cable railways	1.5 ... 2.0	-			-		-	-	-	-
Drag lifts	1.5 ... 2.0	-			-		-	-	-	-
Winches	1.5 ... 2.0	-			-		-	-	-	-
Cellulose and paper										
Paper-making machines, all	1.5 ... 1.75	-					-	-	-	-
Pulper drives	1.5 ... 1.75						-	-	-	-

 Preferred solution
 Possible, less common
 Uncommon

FLENDER Standard Couplings

Coupling Preselection and Options

Selection of the coupling series

Example applications	Application factor FB	FLUDEX	ZAPEX	ARPEX	N-EUPEX	RUPEX	N-BIPEX	ELPEX-B	ELPEX-S	ELPEX
Cement industry										
Crushers	1.75 ... 2.5									
Rotary furnaces	1.5 ... 2.0									
Hammer mills	1.75 ... 2.5									
Ball mills	1.75 ... 2.0									
Pug mills	1.75 ... 2.0									
Mixers	1.5 ... 1.75									
Pipe mills	1.5 ... 1.75									
Beater mills	1.75 ... 2.5									
Separators	1.5 ... 1.75									
Roller presses	1.75 ... 2.5									

 Preferred solution
 Possible, less common
- Uncommon

FLUDEX couplings are mostly mounted on the high-speed gear shaft.

FLENDER Standard Couplings

Coupling Preselection and Options

Selection of the coupling size

Selection and ordering data

The torque load of the coupling must be determined from the output of the driven machine and the coupling speed.

Rated coupling load $T_N = 9550 \cdot P_N / n_N$
(T_N in Nm; P_N in kW; n_N in rpm)

The rated coupling load obtained in this way must be multiplied by factors and compared with the rated coupling torque. An ideal but expensive method is to measure the torque characteristic on the coupling. For this, Siemens offers special adapters fitted with torque measuring devices.

The rated coupling torque T_{KN} is the torque which can be transmitted by the coupling over an appropriate period of use if the load is applied to the coupling purely statically at room temperature.

Application factors are to express the deviation of the real coupling load from the "ideal" load condition.

Coupling load in continuous operation

The operating principles of the driving and driven machines are divided into categories and the application factor FB derived from these in accordance with DIN 3990-1.

Examples of torque characteristic of driving machines:

- uniform: Electric motors with soft starting, steam turbines
- uniform with moderate shock loads: Electric motors without soft starting, hydraulic motors, gas and water turbines
- non uniform: Internal-combustion engines

Examples of torque characteristic in driven machines:

- uniform: Generators, centrifugal pumps for light fluids
- uniform with moderate shock loads: Centrifugal pumps for viscous fluids, elevators, machine tool drives, centrifuges, extruders, blowers, crane drives
- non uniform: Excavators, kneaders, conveyor systems, presses, mills
- very rough: Crushers, excavators, shredders, iron/smelting machinery

Application factor FB	Torque characteristic of the driven machine			
	uniform	uniform with moderate shock loads	non uniform	very rough
uniform	1.0	1.25	1.5	1.75
uniform with moderate shock loads	1.25	1.5	1.75	2.0
non uniform	1.5	1.75	2.0	2.5

Coupling	Elastomer material	Low temperature °C	Temperature T_a on the coupling								
			under -30 °C	-30 °C to 50 °C	to 60 °C	to 70 °C	to 80 °C	to 90 °C	to 100 °C	to 110 °C	to 120 °C
N-EUPEX	NBR	-30	–	1.0	1.0	1.0	1.0	–	–	–	–
N-EUPEX	NR	-50	1.1 ¹⁾	1.0	–	–	–	–	–	–	–
N-EUPEX	HNBR	-30	–	1.0	1.0	1.0	1.0	1.25	1.25	–	–
N-EUPEX DS	NBR	-30	–	1.0	1.0	1.0	1.0	–	–	–	–
RUPEX	NBR	-30	–	1.0	1.0	1.0	1.0	–	–	–	–
RUPEX	NR	-50	1.1	1.0	1.0	–	–	–	–	–	–
RUPEX	HNBR	-30	–	1.0	1.0	1.0	1.0	1.25	1.25	–	–
N-BIPEX	TPU	-50	1.0	1.0	1.0	1.0	1.0	1.0	1.0	–	–
ELPEX	NR	-40	1.1	1.0	1.25	1.40	1.60	–	–	–	–
ELPEX-B	NR	-50	1.1	1.0	–	–	–	–	–	–	–
ELPEX-B	CR	-15	–	1.0	1.0	1.0	–	–	–	–	–
ELPEX-S SN, NN, WN	NR	-40	1.1	1.0	1.25	1.40	1.60	–	–	–	–
ELPEX-S NX	VMQ	-40	1.1	1.0	1.0	1.0	1.0	1.1	1.25	1.4	1.6

NR = natural rubber, natural-synthetic rubber mixture
 NBR = nitril-butadiene-rubber (Perbunan)
 HNBR = hydrated acrylonitrile butadiene rubber
 CR = chloroprene rubber (FRAS fire-resistant and anti-static)
 VMQ = silicone
 TPU = polyurethane

In the case of ARPEX and ZAPEX coupling types, no temperature factor (FT = 1.0) need be taken into account.

$$\text{Coupling size } T_{KN} \geq T_N \cdot FB \cdot FT$$

¹⁾ The N-EUPEX coupling is not suitable for shock loads when used at low temperatures.

FLENDER Standard Couplings

Coupling Preselection and Options

Selection of the coupling size

Coupling load under maximum and overload conditions

The maximum torque is the highest load acting on the coupling in normal operation.

Maximum torques at a frequency of up to 25 times an hour are permitted and must be lower than the maximum coupling torque. Examples of maximum torque conditions are: Starting operations, stopping operations or usual operating conditions with maximum load.

$$T_{Kmax} \geq T_{max} \cdot FT$$

Overload torques are maximum loads which occur only in combination with special, infrequent operating conditions.

Examples of overload torque conditions are: Motor short circuit, emergency stop or blocking because of component breakage. Overload torques at a frequency of once a month are permitted and must be lower than the overload torque of the coupling. The overload condition may last only a short while, i.e. fractions of a second.

$$T_{KOL} \geq T_{OL} \cdot FT$$

Coupling load due to dynamic torque load

Applying the frequency factor, the dynamic torque load must be lower than the coupling fatigue torque.

Dynamic torque load

$$T_{KW} \geq T_W \cdot FF \cdot \frac{1.5}{FB - 1.0}$$

Frequency of the dynamic torque load
 $f_{err} \leq 10$ Hz frequency factor $FF = 1.0$

Frequency of the dynamic torque load
 $f_{err} > 10$ Hz frequency factor $FF = \sqrt{(f_{err}/10 \text{ Hz})}$

For the ZAPEX and ARPEX series, the frequency factor is always $FF = 1.0$.

Checking the maximum speed

For all load situations $n_{Kmax} \geq n_{max}$

Checking permitted shaft misalignment

For all load situations, the actual shaft misalignment must be less than the permitted shaft misalignment.

Checking bore diameter, mounting geometry and coupling design

The check must be made on the basis of the dimension tables. The maximum bore diameter applies to parallel keyways to DIN 6885. For other keyway geometries, the maximum bore diameter can be reduced. On request, couplings with adapted geometry can be provided.

Coupling behavior under overload conditions

The ZAPEX, ARPEX, N-EUPEX, RUPEX and N-BIPEX coupling series can withstand overloads until the breakage of metal parts. These coupling series are designated as fail-safe.

The N-EUPEX DS, ELPEX-B, ELPEX-S and ELPEX coupling series throw overload. The elastomer element of these couplings is irreparably damaged without damage to metal parts when subjected to excessive overload. These coupling series are designated as non-fail-safe. These types that fail can be fitted with a so-called fail-safe device. This additional component enables emergency operation, even after the rubber element of the coupling has been irreparably damaged.

Checking shaft-hub connection

The torques specified in the tables of power ratings data of the coupling series do not necessarily apply to the shaft-hub connection. Depending on the shaft-hub connection, proof of form stability is required. Siemens recommends obtaining proof of form strength by using calculation methods in accordance with the current state of the art.

Shaft-hub connection	Suggestion for calculation method
Keyway connection to DIN 6885-1	DIN 6892
Shrink fit	DIN 7190
Spline to DIN 5480	
Bolted flange connection	VDI 2230
Flange connection with close-fitting bolts	

Fitting recommendations for the shaft-hub connection are given in catalog section 15.

The coupling hub is frequently fitted flush with the shaft end face. If the shaft projects, the risk of collision with other coupling parts must be checked. If the shaft is set back, in addition to the load-bearing capacity of the shaft-hub connection, the correct positioning of the hub must be ensured as well. If the bearing hub length is insufficient, restorative forces may cause tilting movements and so wear to and impairment of the axial retention. Also, the position of the set screw to be positioned on sufficient shaft or parallel key material must be noted.

Checking low temperature and chemically aggressive environment

The minimum permitted coupling temperature is specified in the Temperature factor FT table. In the case of chemically aggressive environments, please consult the manufacturer.

FLENDER Standard Couplings

Coupling Preselection and Options

Article number key

Overview

The article number consists of a combination of digits and letters and is divided into three blocks linked by hyphens for better clarity. In blocks 1 and 2 the coupling series, the type and the size are encoded. Block 3 contains information applying only to the coupling specified in blocks 1 and 2. The three blocks of the article number are supplemented by information on the bore of the coupling hub parts and information on "Special types".

The bore details with the code letter L always refer to the bore diameter D1 of the hub part shown on the left on the dimension drawing. The order code beginning with M always refers to the bore diameter D2 of the hub part shown on the right on the dimension drawing.

"Special types" are linked to the 3rd block of the article number by appending the code "-Z". Special order requirements are, for example, fine balancing G6.3 or the ATEX design of the coupling.

With this article number key, the couplings shown in the catalog can be completely specified. No further textual details are required, they should be avoided. Couplings in special variants are specified with the digit 9 in the 4th place in the article number (block 1) and additionally with 00-0AA0 in positions 11 to 16. Series, type and size should, as far as possible, be specified in accordance with the coding for the standard coupling. By appending "-Z Y99", plain text information can be included. The plain text information can then clearly specify the features of the special coupling.

Structure of the article number	Position	1	2	3	4	5	6	7	- 8	9	10	11	12	- 13	14	15	16
FLENDER Standard Couplings																	
Positions 1 to 3 digit, letter, letter	Type		2	L	C												
Position 4 digit	Coupling design				0 ... 9												
Positions 5 to 6 digits	Series																
Positions 7 to 8 digits	Size																
Positions 9 and 10 letters	Type, subassembly or component part																
Position 11 digit	Shaft-hub connection, flange connection																
Position 12 digit	Shaft-hub connection, flange connection, V-belt pulley																
Positions 13 to 16 digit, letter, letter, digit	Various details																
Bore specifications	Additional order codes for bores finished in delivery condition ØD1 and ØD2 Specification of a 9 in the 11th position of the article number (article number without "-Z") with order codes L.. for ØD1 and/or specification of a 9 in the 12th position of the article number (article number without "-Z") with order codes M.. for ØD2 Selection of order codes for diameter and tolerance in the following tables under "Bore specifications".																
Special types	Additional order codes (article number with "-Z") and, if required, plain text Selection of order codes in this catalog section and in catalog section 13 under "Special types".																- Z

FLENDER Standard Couplings

Coupling Preselection and Options

Features of the standard type

Features of the standard type

Couplings	Features of the standard type
All coupling series except ARPEX clamping hubs and FLUDEX with keyway to ASME B17.1	Bore tolerance H7
ARPEX clamping hubs	Bore tolerance H6
FLUDEX couplings with keyway to ASME B17.1	Hollow shafts: Bore tolerance K7 Other parts Bore tolerance M7
All coupling series with bore diameter - imperial	Parallel keyway to ASME B17.1
Bore diameter metric in the case of ZAPEX and ARPEX coupling series as well as coupling hubs with applied brake disks or brake drums of the N-EUPEX and RUPEX series	Parallel keyway to DIN 6885-1 keyway width P9
Bore diameter metric in the case of the N-EUPEX, RUPEX, N-BIPEX, ELPEX-S, ELPEX-B, ELPEX, FLUDEX coupling series	Parallel keyway to DIN 6885-1 keyway width JS9
All coupling series except FLUDEX	Axial locking by means of set screw
FLUDEX coupling series	Axial lock by means of set screw or end washer
All coupling series	Balancing in accordance with half parallel key standard
ZAPEX, ARPEX, N-EUPEX, RUPEX, N-BIPEX, ELPEX-S, ELPEX-B and ELPEX coupling series	Balancing quality G16
FLUDEX coupling series	Balancing quality G6.3
All series	Unpainted
All series	Preservation with cleaning emulsion
FLUDEX couplings	Fuse 140 °C

Ordering examples

- ZAPEX ZWN 230 Variant A, prebored, unbalanced
Article No.:
2LC0300-5AA11-0AA0
- N-EUPEX A 280 prebored, unbalanced
Article No.:
2LC0101-3AB11-0AA0
- N-EUPEX A 280 finished bores, keyway to DIN 6885-1 and set screw
 $\varnothing D1 = 60H7 \text{ mm}$,
 $\varnothing D2 = 80H7 \text{ mm}$,
balanced G16 in accordance with half parallel key standard
Article No.:
2LC0101-3AB99-0AA0
L1E +M1J
- N-EUPEX A 280 finished bore, keyway to DIN 6885-1 and set screw
 $\varnothing D1 = 60H7 \text{ mm}$,
 $\varnothing D2 = 80H7 \text{ mm}$,
in ATEX variant
Article No.:
2LC0101-3AB99-0AA0-Z
L1E +M1J +X99
- N-EUPEX A 280 finished bore
 $\varnothing D1 = 78P6 \text{ mm}$, with keyway to DIN 6885-1 keyway width JS9,
 $\varnothing D2 = 3 \text{ inch M7}$ with keyway to ASME B17.1
Article No.:
2LC0101-3AB99-0AA0-Z
L9Y+M7A+L40+L28+M14
plain text info for L9Y: **78 mm**

The article number can be obtained with the help of PC software **X.CAT NG**. The coupling can be selected in a product configurator and specified using selection menus.

X.CAT NG is available for free downloading at www.siemens.com/couplings

The installation CD is also available through your Siemens AG contact.

FLENDER Standard Couplings

Coupling Preselection and Options

Bore specifications

Options

Additional order codes for bore specifications
(without "-Z" specification)

Order codes have been specified for the bore specifications. Finished bores can be ordered by specifying code digit **9** in the 11th and/or 12th position of the article number and additionally the supplementary order code for $\varnothing D1$ and/or $\varnothing D2$ from the following table.

H7 is selected for all metric bore diameters where no bore tolerance is specified.

Bore diameters deviating from the table values must be ordered by stating the code number **9** in the 11th and/or 12th position of the article number, adding "-Z" to the article number and the order code **L9Y** with plain text for the left-hand hub and order code **M9Y** with plain text for the right-hand hub.

Bore diameter - metric in mm

Bore diameter	Order code for bore diameter		Bore diameter	Order code for bore diameter		Bore diameter	Order code for bore diameter	
	$\varnothing D1$	$\varnothing D2$		$\varnothing D1$	$\varnothing D2$		$\varnothing D1$	$\varnothing D2$
6	L0A	M0A	60	L1E	M1E	190	L2C	M2C
7	L0B	M0B	65	L1F	M1F	195	L3F	M3F
8	L0C	M0C	70	L1G	M1G	200	L2D	M2D
9	L0D	M0D	75	L1H	M1H	210	L3G	M3G
10	L0E	M0E	80	L1J	M1J	220	L2E	M2E
11	L0F	M0F	85	L1K	M1K	230	L3H	M3H
12	L0G	M0G	90	L1L	M1L	240	L2F	M2F
14	L0H	M0H	95	L1M	M1M	250	L2G	M2G
16	L0J	M0J	100	L1N	M1N	260	L2H	M2H
18	L0K	M0K	105	L1P	M1P	270	L3J	M3J
19	L0L	M0L	110	L1Q	M1Q	280	L2J	M2J
20	L0M	M0M	115	L1R	M1R	290	L3K	M3K
22	L0N	M0N	120	L1S	M1S	300	L2K	M2K
24	L0P	M0P	125	L1T	M1T	320	L2L	M2L
25	L0Q	M0Q	130	L1U	M1U	340	L2M	M2M
28	L0R	M0R	135	L2X	M2X	360	L2N	M2N
30	L0S	M0S	140	L1V	M1V	380	L2P	M2P
32	L0T	M0T	145	L3A	M3A	400	L2Q	M2Q
35	L0U	M0U	150	L1W	M1W	420	L2R	M2R
38	L0V	M0V	155	L3B	M3B	440	L2S	M2S
40	L0W	M0W	160	L1X	M1X	450	L2T	M2T
42	L0X	M0X	165	L3C	M3C	460	L2U	M2U
45	L1A	M1A	170	L2A	M2A	480	L2V	M2V
48	L1B	M1B	175	L3D	M3D	500	L2W	M2W
50	L1C	M1C	180	L2B	M2B			
55	L1D	M1D	185	L3E	M3E			

Bore tolerance to DIN ISO 286

Tolerance specification	Order code for specifying bore tolerance		Tolerance specification	Order code for specifying bore tolerance		Tolerance specification	Order code for specifying bore tolerance	
	$\varnothing D1$	$\varnothing D2$		$\varnothing D1$	$\varnothing D2$		$\varnothing D1$	$\varnothing D2$
H7	L10	M10	N7	L15	M15	J6	L24	M24
F7	L11	M11	P7	L16	M16	K6	L25	M25
J7	L12	M12	E7	L18	M18	M6	L26	M26
K7	L13	M13	F6	L21	M21	N6	L27	M27
M7	L14	M14	H6	L22	M22	P6	L28	M28
G7	L17	M17	G6	L23	M23			

FLENDER Standard Couplings

Coupling Preselection and Options

Bore specifications

H7 is selected for all imperial bore diameters where no bore tolerance is specified.

Exception:

FLUDEX hollow shaft K7.

FLUDEX other hubs M7.

Bore diameter - imperial in inches

Bore diameter	Order code for bore diameter		Bore diameter	Order code for bore diameter		Bore diameter	Order code for bore diameter	
	ØD1	ØD2		ØD1	ØD2		ØD1	ØD2
0.1875	L5A	M5A	2.1875	L6K	M6K	4.1875	L7T	M7T
0.25	L5B	M5B	2.25	L6L	M6L	4.25	L7U	M7U
0.3215	L5C	M5C	2.3125	L6M	M6M	4.375	L7V	M7V
0.375	L5D	M5D	2.375	L6N	M6N	4.4375	L7W	M7W
0.5	L5E	M5E	2.4375	L6P	M6P	4.5	L7X	M7X
0.5625	L5F	M5F	2.5	L6Q	M6Q	4.75	L8A	M8A
0.625	L5G	M5G	2.5625	L6R	M6R	4.875	L8B	M8B
0.6875	L5H	M5H	2.625	L6S	M6S	4.9375	L8C	M8C
0.75	L5J	M5J	2.6875	L6T	M6T	5	L8D	M8D
0.8125	L5K	M5K	2.75	L6U	M6U	5.1875	L8E	M8E
0.875	L5L	M5L	2.8125	L6V	M6V	5.25	L8F	M8F
0.9375	L5M	M5M	2.875	L6W	M6W	5.4375	L8G	M8G
1	L5N	M5N	2.9375	L6X	M6X	5.5	L8H	M8H
1.0625	L5P	M5P	3	L7A	M7A	5.75	L8J	M8J
1.125	L5Q	M5Q	3.0625	L7B	M7B	5.9375	L8K	M8K
1.1875	L5R	M5R	3.125	L7C	M7C	6	L8L	M8L
1.25	L5S	M5S	3.1875	L7D	M7D	6.25	L8M	M8M
1.3125	L5T	M5T	3.25	L7E	M7E	6.5	L8N	M8N
1.375	L5U	M5U	3.3125	L7F	M7F	6.75	L8P	M8P
1.4375	L5V	M5V	3.375	L7G	M7G	7	L8Q	M8Q
1.5	L5W	M5W	3.4375	L7H	M7H	7.25	L8R	M8R
1.5625	L5X	M5X	3.5	L7J	M7J	7.5	L8S	M8S
1.625	L6A	M6A	3.5625	L7K	M7K	7.75	L8T	M8T
1.6875	L6B	M6B	3.625	L7L	M7L	8	L8U	M8U
1.75	L6C	M6C	3.6875	L7M	M7M	9	L8V	M8V
1.8125	L6D	M6D	3.75	L7N	M7N	10	L8W	M8W
1.875	L6E	M6E	3.8125	L7P	M7P	11	L8X	M8X
1.9375	L6F	M6F	3.875	L7Q	M7Q	12	L9A	M9A
2	L6G	M6G	3.9375	L7R	M7R	13	L9B	M9B
2.0625	L6H	M6H	4	L7S	M7S	14	L9C	M9C
2.125	L6J	M6J	4.125	L9E	M9E	15	L9D	M9D

FLENDER Standard Couplings

Coupling Preselection and Options

Special types

Options

Special types or order codes (code "-Z" must be appended to article number)

Special types	Order code for coupling half		Comment
	1	2	
Shaft-hub connection			
Parallel keyway to DIN 6885 ¹⁾ keyway width JS9 for metric bore diameters	L40	M40	
Parallel keyway to DIN 6885 ¹⁾ keyway width P9 for metric bore diameters	L41	M41	
Parallel keyway to ASME B17.1 for imperial bore diameters	L43	M43	
Two parallel keyways spaced 180° apart	L46	M46	
Two parallel keyways spaced 120° apart	L47	M47	
Shrink fit for oil-hydraulic removal	L44	M44	
Clamp connection with shaft without parallel keyway	L45	M45	
Shaft journal length as stated in order	Y28	Y29	and as stated in order
Bore diameters deviating from standard values (11th and/or 12th position in article number - code number 9)	L9Y	M9Y	and as stated in order
Balancing - balancing principle			
Balancing in accordance with half parallel key standard to DIN ISO 21940-32	Standard	Standard	before keyseating
Balancing in accordance with full parallel key standard to DIN ISO 21940-32	L52	M52	after keyseating
Balancing - balance quality			
For standard balancing, see page 2/3 .	Standard		
For fine balancing, see page 2/3 .	W02		
For micro-balancing, see page 2/3 .	W03		
Balancing quality level to DIN ISO 1940 and operating speed	Y95 {G = __; n = __ rpm}		
Documentation, test certificates and acceptances			
Operating instructions			
With declaration of compliance with the order acc. to DIN 10204-2.1	D99		
With test report acc. to DIN EN 10204-2.2	D98		
With inspection certificate for leakage test acc. to DIN EN 10204-3.1	E36		
With inspection certificate for fitting dimensions acc. to DIN EN 10204-3.1	E37		
With inspection certificate for balancing test acc. to DIN EN 10204-3.1	E38		
With inspection certificate for surface crack detection acc. to DIN EN 10204-3.1	E39		
With inspection certificate for ultrasonic examination acc. to DIN EN 10204-3.1/3.2	E40		
With inspection certificate for coating layer - thickness measurement acc. to DIN EN 10204-3.1	E41		
With inspection certificate for chemical analysis, mechanical parameters acc. to DIN EN 10204-3.1/3.2	E42		
Acceptance by classification society	On request		
Special ambient conditions			
ATEX variant with CE marking in accordance with the current ATEX Directive	X99		

Surface coat

Preservation					
Preservative	Properties	Durability		Depreservatives	Order code
		Indoor storage	Outdoor storage		
Cleaning emulsion	Simple preservation	up to 3 months	-	Aqueous cleaners	Standard
Spray oil	Anti-corrosion agent	up to 12 months	up to 3 months	Aqueous cleaners, solvents	B31
Tectyl 846 or similar	Long-term preservation, wax-based	up to 36 months	up to 12 months	White spirit, special solvents	B28
Cleaning emulsion + VCI film ²⁾	Active system, reusable	up to 5 years	up to 5 years	Aqueous cleaners	B34

¹⁾ The hub keyways are designed to DIN 6885 Sheet 1 "High Form". On some sizes, which are marked in the dimension tables, the keyway is designed to DIN 6885 Sheet 3 "Low Form".

²⁾ Parts which are not able to be packed into VCI films, will be preserved with Tectyl.

Torsionally Rigid Gear Couplings

ZAPEX ZW Series

4



4/2	Overview
4/2	Benefits
4/2	Application
4/2	Design
4/2	Function
4/3	Technical data
4/4	Type ZWN
4/4	Selection and ordering data
4/6	Type ZZS
4/6	Selection and ordering data
4/8	Type ZZW
4/8	Selection and ordering data
4/10	Type ZWH
4/10	Selection and ordering data
4/11	Type ZWBT
4/11	Selection and ordering data
4/12	Type ZWBG
4/12	Selection and ordering data
4/13	Type ZWB
4/13	Selection and ordering data
4/14	Type ZWTR
4/14	Selection and ordering data
4/15	Type ZBR
4/15	Selection and ordering data
4/16	Type ZWS
4/16	Selection and ordering data
4/17	Type ZWNV
4/17	Selection and ordering data
4/18	Type ZWSE
4/18	Selection and ordering data
4/19	Customized hub design for ZAPEX ZW Series
4/19	Selection and ordering data
4/20	Spare and wear parts
4/20	Selection and ordering data

FLENDER Standard Couplings

Torsionally Rigid Gear Couplings – ZAPEX ZW Series

General information

Overview



Coupling suitable for use in potentially explosive atmospheres.

Complies with the current ATEX Directive for:

CE Ex II 2 GD c 120 °C (T4)
-20 °C ≤ T_a ≤ +80 °C

CE Ex I M2

Benefits

ZAPEX gear couplings link machine shafts and compensate for shaft misalignment with weak restorative forces. High transmissible torque combined with compactness and light weight are characteristic of ZAPEX couplings. ZAPEX coupling types are constructed on a modular principle.

This means that application-specific solutions can be delivered quickly. ZAPEX couplings require very little maintenance. Regular grease or oil changes at the prescribed intervals prolongs the service life of the coupling.

Application

ZAPEX couplings are especially suited for operation in harsh operating conditions, such as drives in the iron smelting or cement industry. ZAPEX couplings are suitable for reverse operation and horizontal mounting positions and, in the case of type ZWNV, for vertical mounting positions.

Design

A ZAPEX coupling comprises two hub sections with external teeth which are mounted on the machine shafts. Each set of external teeth engages in a flanged socket with mating internal teeth. The flanged sleeves are connected via two flanges with close-fitting bolts.

The teeth are lubricated with oil or grease. On the ZAPEX type ZW, DUO sealing rings are used to seal the tooth space. The DUO sealing rings prevent the lubricant from escaping and dirt from entering the tooth space. The parallel keyways must be sealed during assembly to prevent lubricant from escaping.

Customized hub designs are described after the types.

ZAPEX ZW gear coupling types

Type	Description
ZWN	Standard type
ZZS	with adapter
ZZW	with intermediate shaft
ZWH	with coupling sleeve
ZWBT	with offset brake disk
ZWBG	with straight brake disk
ZWB	with brake drum
ZWTR	for rope drums
ZBR	with shear pins
ZWS	Clutch
ZWNV	Vertical type
ZWSE	Simple clutch-coupling combination

Further application-related coupling types are available. Dimension sheets for and information on these are available on request.

Function

The torque is transmitted through the coupling teeth. The teeth are crowned, so angular displacement per tooth plane is possible. Radial displacement can be compensated for via the space VA between the tooth planes. The internal teeth of the flanged sleeves are significantly wider than the external teeth of the hub parts, permitting a relatively high axial misalignment.

A small angular misalignment on the coupling teeth results in an advantageous distribution of the lubricant film and a very low wear rate. This favorable condition can be deliberately set by aligning the drive with the machine shafts with a slight radial misalignment.

FLENDER Standard Couplings

Torsionally Rigid Gear Couplings – ZAPEX ZW Series

General information

Technical data

Power ratings

Size	Rated torque	Maximum torque	Overload torque	Fatigue torque	Torsional stiffness	Permitted axial shaft misalignment
	T_{KN} Nm	T_{Kmax} Nm	T_{KOL} Nm	T_{KW} Nm	ZW C_{Tdyn} kNm/rad	ΔK_a mm
112	1300	2600	5200	520	2000	1.0
128	2500	5000	10000	1000	3600	1.0
146	4300	8600	17200	1720	6900	1.0
175	7000	14000	28000	2800	9360	1.0
198	11600	23200	46400	4640	15600	1.0
230	19000	38000	76000	7600	26300	1.0
255	27000	54000	108000	10800	33400	1.5
290	39000	78000	156000	15600	44000	1.5
315	54000	108000	216000	21600	64100	1.5
342	69000	138000	276000	27600	81600	1.5
375	98000	196000	392000	39200	115600	1.5
415	130000	260000	520000	52000	106000	1.5
465	180000	360000	720000	72000	134600	2.0
505	250000	500000	1000000	100000	168700	2.0
545	320000	640000	1280000	128000	216900	2.0
585	400000	800000	1600000	160000	263200	2.0
640	510000	1020000	2040000	204000	356000	2.0
690	660000	1320000	2640000	264000	431000	2.0
730	790000	1580000	3160000	316000	538000	2.0
780	1000000	2000000	4000000	400000	696000	3.0
852	1200000	2400000	4800000	480000	926000	3.0
910	1600000	3200000	6400000	640000	1118000	3.0
1020	1900000	3800000	7600000	760000	1339000	3.0
1080	2200000	4400000	8800000	880000	1605000	3.0
1150	2700000	5400000	10800000	1080000	2120000	3.0
1160	3350000	6700000	13400000	1340000	2474000	3.0
1240	3800000	7600000	15200000	1520000	3079000	3.0
1310	4600000	9200000	18400000	1840000	3693000	4.0
1380	5300000	10600000	21200000	2120000	4383000	4.0
1440	6250000	12500000	25000000	2500000	5056000	4.0
1540	7200000	14400000	28800000	2880000	6115000	4.0

In the case of type ZWTR, the rated torques which deviate from the above are specified in the dimension table.

The stated torsional stiffness „ZW“ applies to coupling types ZWN and ZWNV.

Torsional stiffness of the remaining types on request.

The axial misalignment ΔK_a must be understood as the maximum permitted enlargement of the hub distance S of the coupling.

The axial misalignment for the types ZWBT, ZWBG and ZWNV is $\frac{1}{2} \times \Delta K_a$.

Angular misalignment ΔK_w

- Types ZWN, ZZS, ZZW, ZWH, ZWB, ZBR, ZWS: $\Delta K_w = 1^\circ$
- Types ZWBT and ZWBG: $\Delta K_w = 0.2^\circ$
- Type ZWSE: $\Delta K_w = 0.4^\circ$

Radial misalignment ΔK_r

- Types ZWN, ZZS, ZZW, ZWH, ZWB, ZBR, ZWS:
 $\Delta K_r \leq VA \cdot \tan 1^\circ$
- Types ZWBT and ZWBG: $\Delta K_r \leq VA \cdot \tan 0.2^\circ$
- Type ZWSE: $\Delta K_r \leq VA \cdot \tan 0.4^\circ$

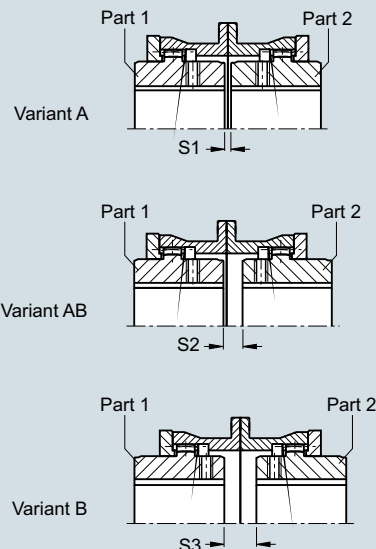
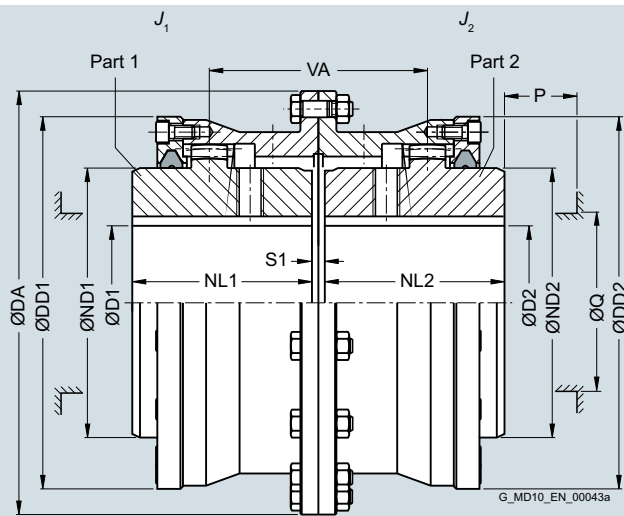
For the tooth distance VA, see the relevant table for the sub-assembly.

FLENDER Standard Couplings

Torsionally Rigid Gear Couplings – ZAPEX ZW Series

Type ZWN

Selection and ordering data



Size	Rated torque T_{KN} Nm	Maximum speed n_{kmax} rpm	Dimensions in mm													Mass moment of inertia J_1/J_2 kgm ²	Article No. Order codes for bore diameters and tolerances are specified in catalog section 3	Weight m kg
			D1, D2 Keyway DIN 6885-1 min. max.	DA	ND1/ ND2	NL1/ NL2	DD1/ DD2	S1	S2	S3	VA	Q	P					
112	1300	9400	0 49 143	65 50 110	6	-	-	56 50 35	0.007	2LC0300-0A	■■■-0AA0	5.8						
128	2500	8300	0 61 157	80 60 128	6	13 20	73 65 45	0.014	2LC0300-1A	■■■-0AA0	7.9							
146	4300	7300	0 72 177	95 75 146	6	13 20	88 75 45	0.021	2LC0300-2A	■■■-0AA0	11.5							
175	7000	6400	0 85 215	112 90 175	8	14 20	104 85 50	0.049	2LC0300-3A	■■■-0AA0	19							
198	11600	5500	0 100 237	135 100 198	8	19 30	119 110 50	0.086	2LC0300-4A	■■■-0AA0	26.5							
230	19000	4700	0 120 265	160 110 230	8	20 32	130 135 50	0.16	2LC0300-5A	■■■-0AA0	37							
255	27000	4100	0 140 294	185 125 255	10	25 40	150 160 50	0.26	2LC0300-6A	■■■-0AA0	49							
290	39000	3700	70 160 330	210 140 290	10	30 50	170 180 60	0.51	2LC0300-7A	■■■-0AA0	72							
315	54000	3300	80 175 366	230 160 315	10	30 50	190 200 60	0.81	2LC0300-8A	■■■-0AA0	99							
342	69000	3000	90 195 392	255 180 340	12	42 72	222 225 60	1.2	2LC0301-0A	■■■-0AA0	125							
375	98000	2700	100 220 430	290 200 375	12	42 72	242 260 60	2	2LC0301-1A	■■■-0AA0	170							
415	130000	2500	120 240 478	320 220 415	12	74 136	294 285 80	3.1	2LC0301-2A	■■■-0AA0	225							
465	180000	2200	140 270 528	360 240 465	16	96 176	336 325 80	5.2	2LC0301-3A	■■■-0AA0	300							
505	250000	2000	160 300 568	400 260 505	16	106 196	366 365 80	7.7	2LC0301-4A	■■■-0AA0	380							
545	320000	1800	180 330 620	440 280 545	16	126 236	406 405 80	12	2LC0301-5A	■■■-0AA0	490							
585	400000	1700	210 360 660	480 310 585	20	150 280	460 445 80	17	2LC0301-6A	■■■-0AA0	620							
640	510000	1600	230 360 738	480 330 640	20	149 278	479 445 90	25	2LC0301-7A	■■■-0AA0	780							
			>330 390	520		475	27	800										
690	660000	1450	250 390 788	520 350 690	20	166 312	516 475 90	35	2LC0301-8A	■■■-0AA0	950							
			>360 420	560		515	38	980										
730	790000	1350	275 420 834	560 380 730	20	180 340	560 515 90	48	2LC0302-0A	■■■-0AA0	1150							
			>390 450	600		555	52	1200										
780	1000000	1250	300 450 900	600 400 780	25	176 327	576 555 110	68	2LC0302-1A	■■■-0AA0	1450							
			>415 490	650		595	77	1450										
852	1200000	1150	325 490 970	650 420 850	25	185 345	605 595 110	100	2LC0302-2A	■■■-0AA0	1750							
			>450 535	710		655	110	1800										

Variant:	<ul style="list-style-type: none"> • A • B • AB 	A B C
ØD1:	<ul style="list-style-type: none"> • Without finished bore – Without order codes • Without finished bore from size 640 for 2nd diameter range D1 – Without order codes • With finished bore – With order codes for diameter and tolerance (article number without "-Z") 	1 2 9
ØD2:	<ul style="list-style-type: none"> • Without finished bore – Without order codes • Without finished bore from size 640 for 2nd diameter range D2 – Without order codes • With finished bore – With order codes for diameter and tolerance (article number without "-Z") 	1 2 9

FLENDER Standard Couplings

Torsionally Rigid Gear Couplings – ZAPEX ZW Series

Type ZWN

Size	Rated torque T_{KN}	Maximum speed n_{Kmax}	Dimensions in mm												Mass moment of inertia J_1/J_2	Article No. Order codes for bore diameters and tolerances are specified in catalog section 3	Weight m
			D1, D2 Keyway DIN 6885-1		DA	ND1/ ND2	NL1/ NL2	DD1/ DD2	S1	S2	S3	VA	Q	P			
			min.	max.													
910	1600000	1050	350	535	1030	710	450	910	25	215	405	665	655	110	140	2LC0302-3A ■■■-0AA0	2100
			>490	570		750							695		145		2150
1020	1900000	1000	375	570	1112	750	480	1020	25	213	401	693	695	130	200	2LC0302-4A ■■■-0AA0	2600
			>520	600		800							735		220		2800
1080	2200000	950	400	600	1162	800	500	1080	30	226	422	726	735	135	255	2LC0302-5A ■■■-0AA0	3100
			>550	650		860							795		285		3200
1150	2700000	900	425	650	1222	860	520	1150	30	238	446	758	795	135	330	2LC0302-6A ■■■-0AA0	3600
			>600	705		930							865		380		3700
1160	3350000	850	450	650	1292	860	550	1160	30	260	490	810	795	135	420	2LC0302-7A ■■■-0AA0	4000
			>600	705		930		1160					450		4100		
			>650	750		990		1210					500		4300		
1240	3800000	800	475	705	1400	930	580	1240	30	250	470	830	865	155	580	2LC0302-8A ■■■-0AA0	4900
			>650	750		990		1240					620		5000		
			>690	800		1055		1290					700		5300		
			>730	850		1120		1370					975		5300		
1310	4600000	750	500	705	1470	930	610	1310	35	265	495	875	865	155	730	2LC0303-0A ■■■-0AA0	5600
			>650	750		990		1310					770		5700		
			>690	800		1055		1310					840		5900		
			>730	850		1120		1370					930		6200		
1380	5300000	700	525	750	1540	990	640	1380	35	275	515	915	910	155	930	2LC0303-1A ■■■-0AA0	6500
			>690	800		1055		1380					1000		6800		
			>730	850		1120		1380					1050		6900		
			>780	890		1170		1430					1080		7100		
1440	6250000	670	550	800	1600	1055	670	1440	35	295	555	965	975	155	1200	2LC0303-2A ■■■-0AA0	7500
			>730	850		1120		1440					1250		7600		
			>780	890		1170		1440					1300		7700		
			>810	940		1240		1510					1450		8200		
1540	7200000	630	575	850	1710	1120	700	1540	35	275	515	975	1030	175	1550	2LC0303-3A ■■■-0AA0	8800
			>780	890		1170		1540					1600		8900		
			>810	940		1240		1540					1700		9200		
			>860	995		1310		1610					1900		9600		

Variant:	<ul style="list-style-type: none"> • A • B • AB 	A B C
∅D1:	<ul style="list-style-type: none"> • Without finished bore – Without order codes • Without finished bore from size 640 for 2nd diameter range D1 – Without order codes • Without finished bore from size 1160 for 3rd diameter range D1 – Without order codes • Without finished bore from size 1310 for 4th diameter range D1 – Without order codes • With finished bore – With order codes for diameter and tolerance (article number without "-Z") 	1 2 3 4 9
∅D2:	<ul style="list-style-type: none"> • Without finished bore – Without order codes • Without finished bore from size 640 for 2nd diameter range D2 – Without order codes • Without finished bore from size 1160 for 3rd diameter range D2 – Without order codes • Without finished bore from size 1310 for 4th diameter range D2 – Without order codes • With finished bore – With order codes for diameter and tolerance (article number without "-Z") 	1 2 3 4 9

Q Diameter required for renewing the sealing rings.

P Length required for renewing the sealing rings.

Mass moments of inertia apply to a coupling half with maximum bore diameter.

Weights apply to the entire coupling with maximum bores.

Ordering example:

ZAPEX ZWN coupling, size 146, variant A,

Part 1: Bore 40H7mm, keyway to DIN 6885-1 P9 and set screw,

Part 2: Bore 45K7 mm, keyway to DIN 6885-1 P9 and set screw.

Article No.:

2LC0300-2AA99-0AA0-Z

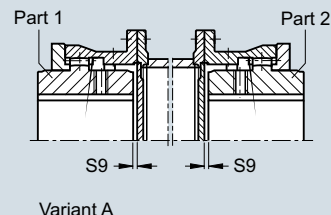
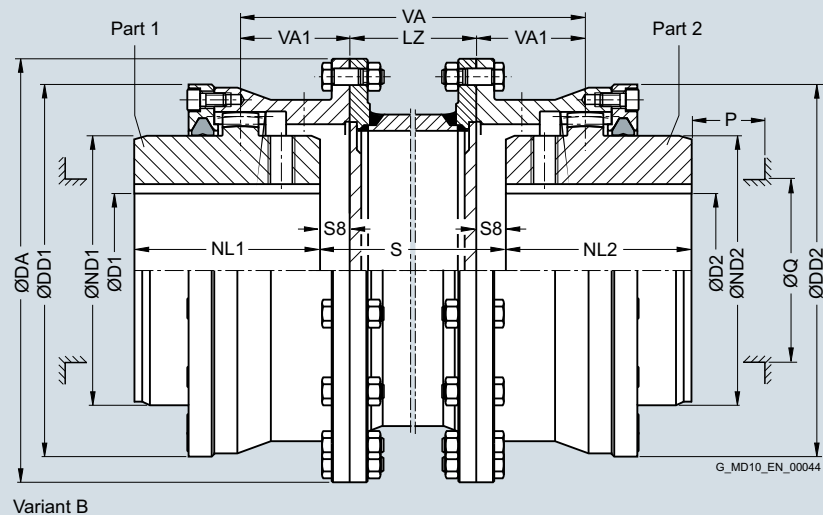
LOW+M1A+M13

FLENDER Standard Couplings

Torsionally Rigid Gear Couplings – ZAPEX ZW Series

Type ZZS

Selection and ordering data



Size	Rated torque T_{KN}	Dimensions in mm												Article No. Plain text required for dimension S Order codes for bore diameters and tolerances are specified in catalog section 3	Weight	
		D1, D2 Keyway DIN 6885-1		DA	ND1/ ND2	NL1/ NL2	DD1/ DD2	S8	S9	VA1	Q	P	LZ min.		m each 100 mm pipe	m
	Nm	min.	max.											kg	kg	
112	1300	0	49	143	65	50	110	3	3	28	50	35	120	2LC0300-0A ■■■■-0AZ0 Q0Y	0.8	9.4
128	2500	0	61	157	80	60	128	10	3	36.5	65	45	120	2LC0300-1A ■■■■-0AZ0 Q0Y	1.3	12.5
146	4300	0	72	177	95	75	146	10	3	44	75	45	120	2LC0300-2A ■■■■-0AZ0 Q0Y	1.8	17
175	7000	0	85	215	112	90	175	10	4	52	85	50	130	2LC0300-3A ■■■■-0AZ0 Q0Y	2.3	27.5
198	11600	0	100	237	135	100	198	15	4	59.5	110	50	130	2LC0300-4A ■■■■-0AZ0 Q0Y	3.5	37
230	19000	0	120	265	160	110	230	16	4	65	135	50	130	2LC0300-5A ■■■■-0AZ0 Q0Y	4.5	50
255	27000	0	140	294	185	125	255	20	5	75	160	50	140	2LC0300-6A ■■■■-0AZ0 Q0Y	6.3	68
290	39000	70	160	330	210	140	290	25	5	85	180	60	140	2LC0300-7A ■■■■-0AZ0 Q0Y	7.2	93
315	54000	80	175	366	230	160	315	25	5	95	200	60	180	2LC0300-8A ■■■■-0AZ0 Q0Y	9.1	135
342	69000	90	195	392	255	180	340	36	6	111	225	60	180	2LC0301-0A ■■■■-0AZ0 Q0Y	12	170
375	98000	100	220	430	290	200	375	36	6	121	260	60	180	2LC0301-1A ■■■■-0AZ0 Q0Y	15	220
415	130000	120	240	478	320	220	415	68	6	147	285	80	200	2LC0301-2A ■■■■-0AZ0 Q0Y	17	295
465	180000	140	270	528	360	240	465	88	8	168	325	80	200	2LC0301-3A ■■■■-0AZ0 Q0Y	19	380
505	250000	160	300	568	400	260	505	98	8	183	365	80	200	2LC0301-4A ■■■■-0AZ0 Q0Y	24	470
545	320000	180	330	620	440	280	545	118	8	203	405	80	220	2LC0301-5A ■■■■-0AZ0 Q0Y	30	640
585	400000	210	360	660	480	310	585	140	10	230	445	80	220	2LC0301-6A ■■■■-0AZ0 Q0Y	33	780

Variant	<ul style="list-style-type: none"> • A • B 	D
ØD1:	<ul style="list-style-type: none"> • Without finished bore – Without order codes • With finished bore – With order codes for diameter and tolerance (article number without "-Z") 	1 9
ØD2:	<ul style="list-style-type: none"> • Without finished bore – Without order codes • With finished bore – With order codes for diameter and tolerance (article number without "-Z") 	1 9

FLENDER Standard Couplings

Torsionally Rigid Gear Couplings – ZAPEX ZW Series

Type ZZS

Size	Rated torque T_{KN}	Dimensions in mm												Article No. Plain text required for dimension S Order codes for bore diameters and tolerances are specified in catalog section 3	Weight	
		D1, D2 Keyway DIN 6885-1		DA	ND1/ ND2	NL1/ NL2	DD1/ DD2	S8	S9	VA1	Q	P	LZ		m	m
		min.	max.										each 100 mm pipe		kg	kg
640	510000	230	360	738	480	330	640	139	10	239.5	445	90	250	2LC0301-7A ■■■■-0AZ0 Q0Y	39	1010
		>330	390		520						475					1050
690	660000	250	390	788	520	350	690	156	10	258	475	90	250	2LC0301-8A ■■■■-0AZ0 Q0Y	48	1200
		>360	420		560						515					1250
730	790000	275	420	834	560	380	730	170	10	280	515	90	250	2LC0302-0A ■■■■-0AZ0 Q0Y	51	1450
		>390	450		600						555					1500
780	1000000	300	450	900	600	400	780	163	12.5	288	555	110	280	2LC0302-1A ■■■■-0AZ0 Q0Y	55	1850
		>415	490		650						595					1900
852	1200000	325	490	970	650	420	850	172	12.5	302.5	595	110	280	2LC0302-2A ■■■■-0AZ0 Q0Y	68	2300
		>450	535		710						655					2400
910	1600000	350	535	1030	710	450	910	202	12.5	332.5	655	110	280	2LC0302-3A ■■■■-0AZ0 Q0Y	94	2800
		>490	570		750						695					2850
1020	1900000	375	570	1112	750	480	1020	200	12.5	346.5	695	130	380	2LC0302-4A ■■■■-0AZ0 Q0Y		
		>520	600		800						735					
1080	2200000	400	600	1162	800	500	1080	211	15	363	735	135	380	2LC0302-5A ■■■■-0AZ0 Q0Y		
		>550	650		860						795					
1150	2700000	425	650	1222	860	520	1150	223	15	379	795	135	380	2LC0302-6A ■■■■-0AZ0 Q0Y		
		>600	705		930						865					
1160	3350000	450	650	1292	860	550	1160	245	15	405	795	135	380	2LC0302-7A ■■■■-0AZ0 Q0Y		
		>600	705		930		1160				865					
1240	3800000	475	705	1400	930	580	1240	235	15	415	865	155	400	2LC0302-8A ■■■■-0AZ0 Q0Y		
		>650	750		990		1240				910					
1310	4600000	500	705	1470	930	610	1310	247	17.5	437.5	865	155	400	2LC0303-0A ■■■■-0AZ0 Q0Y		
		>650	750		990		1310				910					
1380	5300000	525	750	1540	990	640	1380	257	17.5	457.5	910	155	400	2LC0303-1A ■■■■-0AZ0 Q0Y		
		>690	800		1055		1380				975					
1440	6250000	550	800	1600	1055	670	1440	277	17.5	482.5	975	155	400	2LC0303-2A ■■■■-0AZ0 Q0Y		
		>730	850		1120		1440				1030					
1540	7200000	575	850	1710	1120	700	1540	257	17.5	487.5	1030	175	600	2LC0303-3A ■■■■-0AZ0 Q0Y		
		>780	890		1170		1540				1080					
		>810	940		1240		1540				1150					
		>860	995		1310		1610				1220					

Variant

- A
- B

D
E

∅D1:

- Without finished bore – Without order codes
- Without finished bore from size 640 for 2nd diameter range D1 – Without order codes
- Without finished bore from size 1160 for 3rd diameter range D1 – Without order codes
- Without finished bore from size 1310 for 4th diameter range D1 – Without order codes
- With finished bore – With order codes for diameter and tolerance (article number without "-Z")

1
2
3
4
9

∅D2:

- Without finished bore – Without order codes
- Without finished bore from size 640 for 2nd diameter range D2 – Without order codes
- Without finished bore from size 1160 for 3rd diameter range D2 – Without order codes
- Without finished bore from size 1310 for 4th diameter range D2 – Without order codes
- With finished bore – With order codes for diameter and tolerance (article number without "-Z")

1
2
3
4
9

Weights from size 1020 on request.

$$VA = 2 \cdot VA1 + LZ$$

Q Diameter required for renewing the sealing rings.

P Length required for renewing the sealing rings.

Mass moments of inertia on request.

Weights apply to maximum bores and an adapter length of LZ min.

Maximum speed, limited by weight and critical adapter speed, on request.

Ordering example:

Article No.:

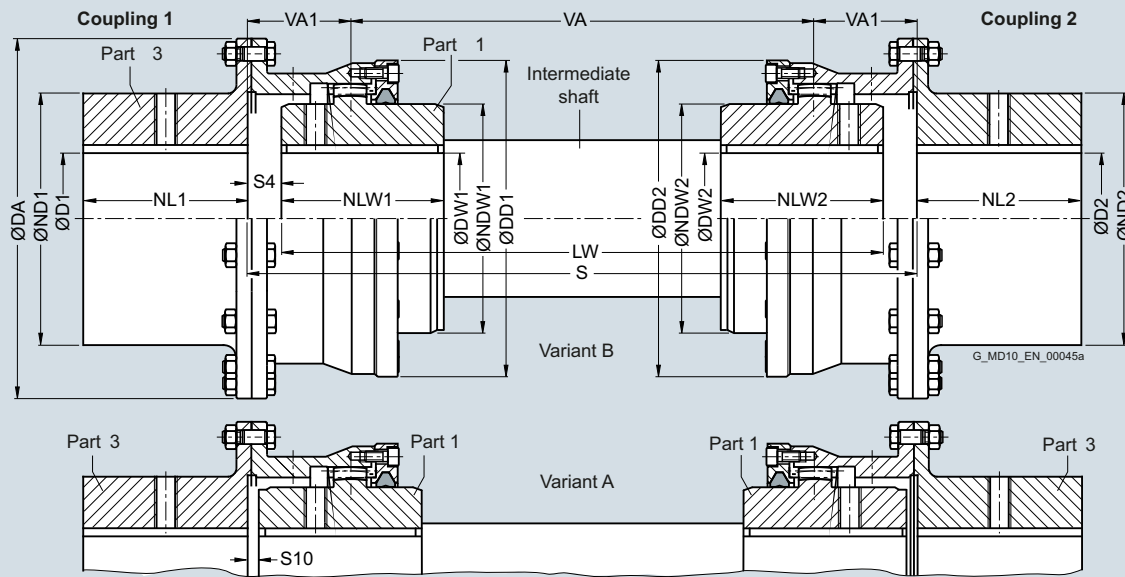
2LC0300-2AE99-0AZ0-Z**LOW+M1A+Q0Y+M13**Plain text to Q0Y: **250 mm (dimension S)**

FLENDER Standard Couplings

Torsionally Rigid Gear Couplings – ZAPEX ZW Series

Type ZZW

Selection and ordering data



Size	Rated torque T_{KN} Nm	Dimensions in mm										Article No. Order codes for bore diameters and tolerances are specified in catalog section 3	Weight m kg			
		D1, D2 Keyway DIN 6885-1		DA	ND1/ND2	NL1/NL2/ NLW1/ NLW2	DW1, DW2 Keyway DIN 6885-1		NDW1/ NDW2	DD1/ DD2	S4			S10	VA1	
		min.	max.			min.	max.									
112	1300	20	61	143	80	50	0	49	65	110	12.5	12.5	37.5	2LC0300-0B	■ ■ ■ -0AA0	5.1
128	2500	25	72	157	95	60	0	61	80	128	12.5	5.5	39	2LC0300-1B	■ ■ ■ -0AA0	6.8
146	4300	30	85	177	112	75	0	72	95	146	12.5	5.5	46.5	2LC0300-2B	■ ■ ■ -0AA0	9.8
175	7000	35	100	215	135	90	0	85	112	175	12.5	6.5	54.5	2LC0300-3B	■ ■ ■ -0AA0	16.5
198	11600	40	120	237	160	100	0	100	135	198	17.5	6.5	62	2LC0300-4B	■ ■ ■ -0AA0	23
230	19000	50	140	265	185	110	0	120	160	230	18.5	6.5	67.5	2LC0300-5B	■ ■ ■ -0AA0	32
255	27000	60	160	294	210	125	0	140	185	255	23.5	8.5	78.5	2LC0300-6B	■ ■ ■ -0AA0	43
290	39000	70	175	330	230	140	70	160	210	290	28.5	8.5	88.5	2LC0300-7B	■ ■ ■ -0AA0	61
315	54000	80	195	366	255	160	80	175	230	315	28.5	8.5	98.5	2LC0300-8B	■ ■ ■ -0AA0	86
342	69000	90	220	392	290	180	90	195	255	340	39.5	9.5	114.5	2LC0301-0B	■ ■ ■ -0AA0	115
375	98000	100	240	430	320	200	100	220	290	375	39.5	9.5	124.5	2LC0301-1B	■ ■ ■ -0AA0	150
415	130000	120	270	478	360	220	120	240	320	415	71.5	9.5	150.5	2LC0301-2B	■ ■ ■ -0AA0	205
465	180000	140	300	528	400	240	140	270	360	465	91.5	11.5	171.5	2LC0301-3B	■ ■ ■ -0AA0	275
505	250000	160	330	568	440	260	160	300	400	505	102.5	12.5	187.5	2LC0301-4B	■ ■ ■ -0AA0	350
545	320000	180	360	620	480	280	180	330	440	545	122.5	12.5	207.5	2LC0301-5B	■ ■ ■ -0AA0	450
585	400000	210	360	660	480	310	210	360	480	585	144.5	14.5	234.5	2LC0301-6B	■ ■ ■ -0AA0	540
640	510000	230	390	738	520	330	230	360	480	640	143.5	14.5	244	2LC0301-7B	■ ■ ■ -0AA0	700
		>360	420		560		>330	390	520							740
690	660000	250	420	788	560	350	250	390	520	690	160.5	14.5	262.5	2LC0301-8B	■ ■ ■ -0AA0	850
		>390	450		600		>360	420	560							900
730	790000	275	450	834	600	380	275	420	560	730	176	16	286	2LC0302-0B	■ ■ ■ -0AA0	1050
		>415	490		650		>390	450	600							1100
780	1000000	300	490	900	650	400	300	450	600	780	171	20.5	296	2LC0302-1B	■ ■ ■ -0AA0	1300
		>450	535		710		>415	490	650							1350
852	1200000	325	535	970	710	420	325	490	650	850	180	20.5	310.5	2LC0302-2B	■ ■ ■ -0AA0	1550
		>490	570		750		>450	535	710							1650

- Variant:
- A
 - B
- ØD1:
- Without finished bore – Without order codes
 - Without finished bore from size 585 for 2nd diameter range D1 – Without order codes
 - With finished bore – With order codes for diameter and tolerance (article number without "-Z")
- ØD2:
- Without finished bore – Without order codes
 - Without finished bore from size 585 for 2nd diameter range D2 – Without order codes
 - With finished bore – With order codes for diameter and tolerance (article number without "-Z")

D	1
E	2
	9
	1
	2
	9

FLENDER Standard Couplings

Torsionally Rigid Gear Couplings – ZAPEX ZW Series

Type ZZW

Size	Rated torque T_{KN}	Dimensions in mm											Article No. Order codes for bore diameters and tolerances are specified in catalog section 3	Weight m	
		D1, D2 Keyway DIN 6885-1		DA	ND1/ ND2	NL1/ NL2/ NLW1/ NLW2	DW1, DW2 Keyway DIN 6885-1		NDW1/ NDW2	DD1/ DD2	S4	S10			VA1
	Nm	min.	max.				min.	max.							kg
910	1600000	350	570	1030	750	450	350	535	710	910	210	20.5	340.5	2LC0302-3B ■■■-0AA0	1900
		>520	600		800		>490	570	750						2000
1020	1900000	375	600	1112	800	480	375	570	750	1020	210	22.5	356.5	2LC0302-4B ■■■-0AA0	2300
		>550	650		860		>520	600	800						2500
1080	2200000	400	650	1162	860	500	400	600	800	1080	221	25	373	2LC0302-5B ■■■-0AA0	2750
		>600	705		930		>550	650	860						2900
1150	2700000	425	650	1222	860	520	425	650	860	1150	233	25	389	2LC0302-6B ■■■-0AA0	3100
		>600	705		930		>425	650	860						3200
1160	3350000	450	705	1292	930	550	450	650	860	1160	255	25	415	2LC0302-7B ■■■-0AA0	3600
		>650	750		990		>600	705	930	1160					3700
		>690	800		1055		>650	750	990	1210					4000
1240	3800000	475	705	1400	930	580	475	705	930	1240	245	25	425	2LC0302-8B ■■■-0AA0	4200
		>650	750		990		475	705	930	1240					4400
		>690	800		1055		>650	750	990	1240					4600
		>730	850		1120		>690	800	1055	1290					4900
1310	4600000	500	750	1470	990	610	500	705	930	1310	258	28.5	448.5	2LC0303-0B ■■■-0AA0	4900
		>690	800		1055		>650	750	990	1310					5100
		>730	850		1120		>690	800	1055	1310					5300
		>780	890		1170		>730	850	1120	1370					5600
1380	5300000	525	800	1540	1055	640	525	750	990	1380	268	28.5	468.5	2LC0303-1B ■■■-0AA0	5700
		>730	850		1120		>690	800	1055	1380					5900
		>780	890		1170		>730	850	1120	1380					6100
		>810	940		1240		>780	890	1170	1430					6500
1440	6250000	550	850	1600	1120	670	550	800	1055	1440	288	28.5	493.5	2LC0303-2B ■■■-0AA0	6500
		>780	890		1170		>730	850	1120	1440					6700
		>810	940		1240		>780	890	1170	1440					7000
		>860	995		1310		>810	940	1240	1510					7400
1540	7200000	575	890	1710	1170	700	575	850	1120	1540	268	28.5	498.5	2LC0303-3B ■■■-0AA0	7700
		575	890		1170		>780	890	1170	1540					7700
		>810	940		1240		>810	940	1240	1540					8100
		>860	1040		1390		>860	995	1310	1610					8900

Variant:	<ul style="list-style-type: none"> • A • B 	D	1
∅D1:	<ul style="list-style-type: none"> • Without finished bore – Without order codes • Without finished bore from size 585 for 2nd diameter range D1 – Without order codes • Without finished bore from size 1150 for 3rd diameter range D1 – Without order codes • Without finished bore from size 1240 for 4th diameter range D1 – Without order codes • With finished bore – With order codes for diameter and tolerance (article number without "-Z") 	E	2
∅D2:	<ul style="list-style-type: none"> • Without finished bore – Without order codes • Without finished bore from size 585 for 2nd diameter range D2 – Without order codes • Without finished bore from size 1150 for 3rd diameter range D2 – Without order codes • Without finished bore from size 1240 for 4th diameter range D2 – Without order codes • With finished bore – With order codes for diameter and tolerance (article number without "-Z") 		3
			4
			9

$$VA = S - 2 \cdot VA1$$

Mass moments of inertia on request.

Weights apply to either coupling 1 or 2 with maximum bore diameter, without intermediate shaft.

Maximum speed, limited by weight and critical speed of intermediate shaft, on request.

Ordering example:

Coupling ZZW consisting of coupling 1, intermediate shaft, coupling 2

Coupling 1:

ZAPEX ZZW coupling, size 146, variant B,
Part 3: Bore D1 = 45K7 mm, keyway to DIN 6885-1 P9 and set screw,
Part 1: Bore DW1 = 45H7 mm, keyway to DIN 6885-1 P9 and set screw.

Article No.:

**2LC0300-2BE99-0AA0-Z
L1A+M1A+M13**

Intermediate shaft:

Intermediate shaft for ZAPEX coupling ZZW, size 146, length LW = 570 mm, for shaft distance S = 595 mm shaft journal ∅45p6 x 75 long; keyway DIN 6885-1.

Article No.:

**2LC0308-8XX00-0AA0-Z
Y99**

Plain text to Y99: **DW1 = 45p6 mm, NLW1 = 75 mm, DW2 = 45p6 mm, NLW2 = 75 mm, LW = 570 mm**

Coupling 2:

ZAPEX ZZW coupling, size 146, variant B,
Part 1: Bore DW2 = 45H7 mm, keyway to DIN 6885-1 P9 and set screw,
Part 3: Bore D2 = 45K7 mm, keyway to DIN 6885-1 P9 and set screw.

Article No.:

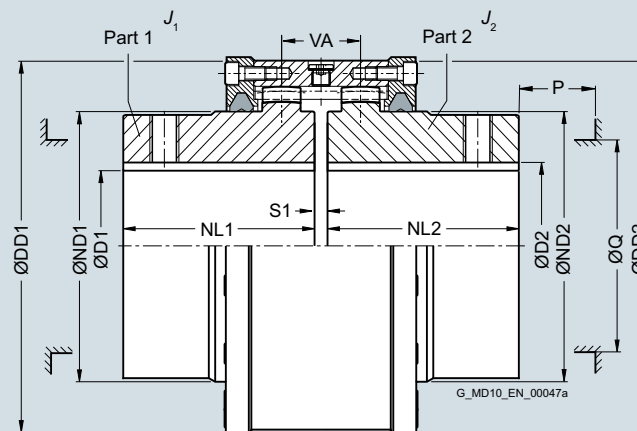
**2LC0300-2BE99-0AA0-Z
L1A+M1A+M13**

FLENDER Standard Couplings

Torsionally Rigid Gear Couplings – ZAPEX ZW Series

Type ZWH

Selection and ordering data



Size	Rated torque	Maximum speed	Dimensions in mm		D1, D2 Keyway DIN 6885-1 min. max.	ND1/N D2	NL1/N L2	DD1/D D2	S1	VA	Q	P	Mass moment of inertia J_1/J_2	Article No. Order codes for bore diameters and tolerances are specified in catalog section 3	Weight
	T_{KN}	n_{Kmax}													m
	Nm	rpm													kg
112	1300	9400	0	49	65	50	110	6	28	50	35	0.003	2LC0300-0BB	-0AA0	3.5
128	2500	8300	0	61	80	60	128	6	30	65	45	0.007	2LC0300-1BB	-0AA0	5.1
146	4300	7300	0	72	95	75	146	6	33	75	45	0.012	2LC0300-2BB	-0AA0	7.8
175	7000	6400	0	85	112	90	175	8	46	85	50	0.031	2LC0300-3BB	-0AA0	13.5
198	11600	5500	0	100	135	100	198	8	48	110	50	0.056	2LC0300-4BB	-0AA0	20
230	19000	4700	0	120	160	110	230	8	50	135	50	0.11	2LC0300-5BB	-0AA0	28.5
255	27000	4100	0	140	185	125	255	10	55	160	50	0.18	2LC0300-6BB	-0AA0	38
290	39000	3700	70	160	210	140	290	10	58	180	60	0.35	2LC0300-7BB	-0AA0	56
315	54000	3300	80	175	230	160	315	10	62	200	60	0.55	2LC0300-8BB	-0AA0	74
342	69000	3000	90	195	255	180	340	12	70	225	60	0.82	2LC0301-0BB	-0AA0	95
375	98000	2700	100	220	290	200	375	12	72	260	60	1.3	2LC0301-1BB	-0AA0	130
415	130000	2500	120	240	320	220	415	12	76	285	80	2.3	2LC0301-2BB	-0AA0	175
465	180000	2200	140	270	360	240	465	16	90	325	80	4	2LC0301-3BB	-0AA0	245
505	250000	2000	160	300	400	260	505	16	92	365	80	6	2LC0301-4BB	-0AA0	310
545	320000	1800	180	330	440	280	545	16	96	405	80	8.8	2LC0301-5BB	-0AA0	390
585	400000	1700	210	360	480	310	585	20	102	445	80	13	2LC0301-6BB	-0AA0	500
640	510000	1600	230	360	480	330	640	20	105	445	90	18	2LC0301-7BB	-0AA0	620
			>330	390	520					475		19.5			650
690	660000	1450	250	390	520	350	690	20	108	475	90	25.5	2LC0301-8BB	-0AA0	760
			>360	420	560					515		28			790
730	790000	1350	275	420	560	380	730	20	112	515	90	35	2LC0302-0BB	-0AA0	920
			>390	450	600					555		39			950
780	1000000	1250	300	450	600	400	780	25	120	555	110	48	2LC0302-1BB	-0AA0	1150
			>415	490	650					595		57			1150

ØD1:	• Without finished bore – Without order codes	1
	• With finished bore – With order codes for diameter and tolerance (article number without "-Z")	9
ØD2:	• Without finished bore – Without order codes	1
	• With finished bore – With order codes for diameter and tolerance (article number without "-Z")	9

Larger size couplings on request.

Q Diameter required for renewing the sealing rings.
P Length required for renewing the sealing rings.

Mass moments of inertia apply to a coupling half with maximum bore diameter.

Weights apply to the entire coupling with maximum bores.

Ordering example:

ZAPEX ZWH coupling, size 146,
Part 1: Bore 40H7 mm, keyway to DIN 6885-1 P9 and set screw,
Part 2: Bore 45K7 mm, keyway to DIN 6885-1 P9 and set screw.

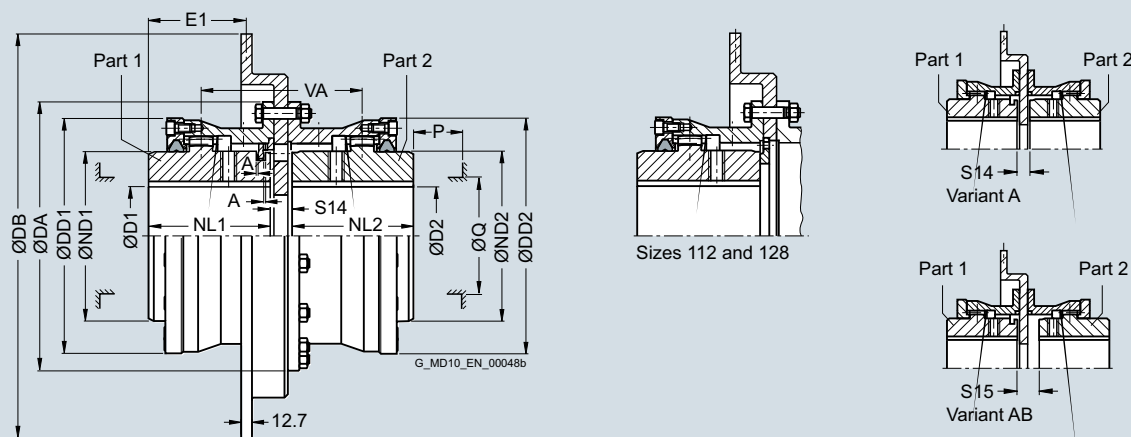
Article No.:
2LC0300-2BB99-0AA0-Z
LOW+M1A+M13

FLENDER Standard Couplings

Torsionally Rigid Gear Couplings – ZAPEX ZW Series

Type ZWBT

Selection and ordering data



Variant limited in displacement and axial movement. Max. displacement 0.2°.

Size	Rated torque T_{KN}	Maximum speed n_{Kmax}	Dimensions in mm													Brake disk		Article No. Order codes for bore diameters and tolerances are specified in catalog section 3	Weight m		
			D1 Keyway DIN 6885-1 min.	D2 Keyway DIN 6885-1 max.	DA	ND1/ ND2	NL1/ NL2	DD1/ DD2	S14	S15	A	VA	Q	P	DB	E1	kg				
112	1300	3800	0	49	0	49	143	65	50	110	20	-	0.5	70	50	35	300	32.35	2LC0300-0A ■■■ -0AA0	13	
		3200									23	-		73			356	22.35		2LC0300-0A ■■■ -0BA0	16.5
128	2500	3200	0	61	0	61	157	80	60	128	23.5	30.5	0.5	90.5	65	45	356	32.85	2LC0300-1A ■■■ -0AA0	19	
		2800									20.5	27.5		87.5			406	29.85		2LC0300-1A ■■■ -0BA0	21.5
146	4300	2800	0	65	0	72	177	95	75	146	19	26	0.5	101	75	45	406	43.35	2LC0300-2A ■■■ -0AA0	25	
		2500									22	29		104			457	46.35		2LC0300-2A ■■■ -0BA0	30
175	7000	2800	0	80	0	85	215	112	90	175	21	27	0.5	117	85	50	406	59.35	2LC0300-3A ■■■ -0AA0	33	
		2500									24	30		120			457	62.35		2LC0300-3A ■■■ -0BA0	38
		2200									24	30		120			514	62.35		2LC0300-3A ■■■ -0CA0	43
198	11600	2500	0	95	0	100	237	135	100	198	24	35	0.5	135	110	50	457	72.35	2LC0300-4A ■■■ -0AA0	46	
		2200									24	35		135			514	72.35		2LC0300-4A ■■■ -0BA0	51
230	19000	2200	0	117	0	120	265	160	110	230	24	36	0.5	146	135	50	514	82.35	2LC0300-5A ■■■ -0AA0	62	
		1850									24	36		146			610	82.35		2LC0300-5A ■■■ -0BA0	73
255	27000	2200	0	140	0	140	294	185	125	255	26	41	1	166	160	50	514	98.35	2LC0300-6A ■■■ -0AA0	73	
		1850									26	41		166			610	98.35		2LC0300-6A ■■■ -0BA0	84
290	39000	1850	70	155	70	160	330	210	140	290	26	46	1	186	180	60	610	113.35	2LC0300-7A ■■■ -0AA0	110	
		1600									29	49		189			711	116.35		2LC0300-7A ■■■ -0BA0	125
												29	49		209			711		136.35	2LC0300-8A ■■■ -0BA0
342	69000	1600	90	195	90	195	392	255	180	340	31	61	1	241	225	60	711	157.35	2LC0301-0A ■■■ -0AA0	180	
375	98000	1600	100	220	100	220	430	290	200	375	31	61	1	261	260	60	711	177.35	2LC0301-1A ■■■ -0AA0	220	
415	130000	1400	120	240	120	240	478	320	220	415	37	99	1	319	285	80	812	203.35	2LC0301-2A ■■■ -0AA0	320	
465	180000	1400	140	270	140	270	528	360	240	465	41	121	1	361	325	80	812	225.35	2LC0301-3A ■■■ -0AA0	400	

Variant:

- A
- AB

S
T

ØD1:

- Without finished bore – Without order codes
- With finished bore – With order codes for diameter and tolerance (article number without "-Z")

1
9

ØD2:

- Without finished bore – Without order codes
- With finished bore – With order codes for diameter and tolerance (article number without "-Z")

1
9

Q Diameter required for renewing the sealing rings.
P Length required for renewing the sealing rings.

Mass moments of inertia on request.

Weights apply to maximum bores.

Ordering example:

ZAPEX ZWBT coupling, size 146, variant A, brake disk diameter DB = 457 mm,
Part 1: Bore 40H7 mm, keyway to DIN 6885-1 P9 and set screw,
Part 2: Bore 45K7 mm, keyway to DIN 6885-1 P9 and set screw.

Article No.:

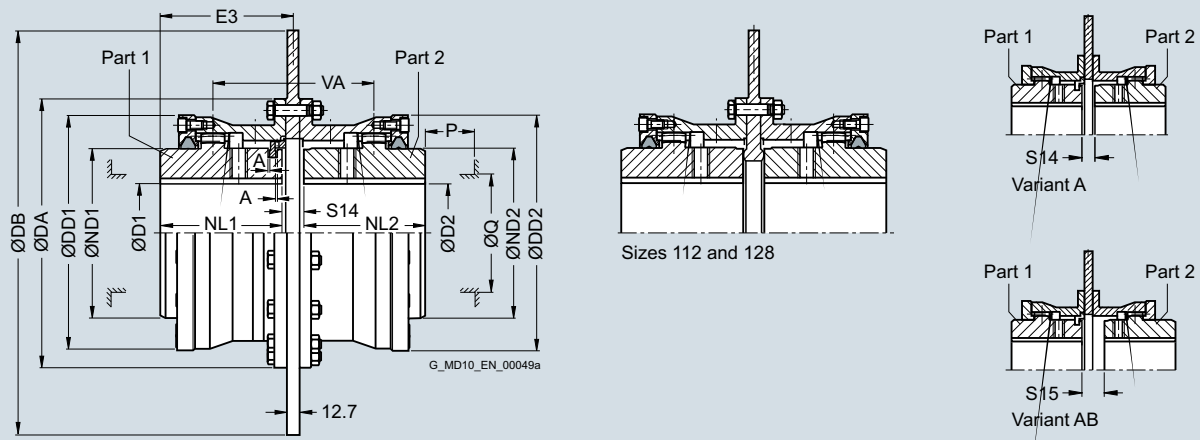
**2LC0300-2AS99-0BA0-Z
LOW+M1A+M13**

FLENDER Standard Couplings

Torsionally Rigid Gear Couplings – ZAPEX ZW Series

Type ZWBG

Selection and ordering data



Variant limited in displacement and axial movement. Max. displacement 0.2°.

Modified brake disk dimensions on request

Size	Rated torque T_{KN}	Maximum speed n_{Kmax}	Dimensions in mm													Brake disk		Article No. Order codes for bore diameters and tolerances are specified in catalog section 3	Weight m		
			D1 Keyway DIN 6885-1 min. max.	D2 Keyway DIN 6885-1 min. max.	DA	ND1/ ND2	NL1/ NL2	DD1/ DD2	S14	S15	A	VA	Q	P	DB	E3	kg				
112	1300	3800	0	49	0	49	143	65	50	110	19	–	0.5	69	50	35	300	59.5	2LC0300-0A	■ ■ ■ -0AA0	13
		3200									22	–		72			356	61	2LC0300-0A	■ ■ ■ -0BA0	16
128	2500	3200	0	61	0	61	157	80	60	128	22	29	0.5	89	65	45	356	71	2LC0300-1A	■ ■ ■ -0AA0	18
		2800									19	26		86			406	69.5	2LC0300-1A	■ ■ ■ -0BA0	20.5
146	4300	2800	0	65	0	72	177	95	75	146	19	26	0.5	101	75	45	406	84.5	2LC0300-2A	■ ■ ■ -0AA0	24
		2500									22	29		104			457	86	2LC0300-2A	■ ■ ■ -0BA0	28.5
175	7000	2800	0	80	0	85	215	112	90	175	21	27	0.5	117	85	50	406	100.5	2LC0300-3A	■ ■ ■ -0AA0	31
		2500									24	30		120			457	102	2LC0300-3A	■ ■ ■ -0BA0	35
		2200									24	30		120			514	102	2LC0300-3A	■ ■ ■ -0CA0	40
198	11600	2500	0	95	0	100	237	135	100	198	24	35	0.5	135	110	50	457	112	2LC0300-4A	■ ■ ■ -0AA0	43
		2200									24	35		135			514	112	2LC0300-4A	■ ■ ■ -0BA0	47
230	19000	2200	0	117	0	120	265	160	110	230	24	36	0.5	146	135	50	514	122	2LC0300-5A	■ ■ ■ -0AA0	58
		1850									24	36		146			610	122	2LC0300-5A	■ ■ ■ -0BA0	66
255	27000	2200	0	140	0	140	294	185	125	255	26	41	1	166	160	50	514	138	2LC0300-6A	■ ■ ■ -0AA0	69
		1850									26	41		166			610	138	2LC0300-6A	■ ■ ■ -0BA0	77
290	39000	1850	70	155	70	160	330	210	140	290	26	46	1	186	180	60	610	153	2LC0300-7A	■ ■ ■ -0AA0	100
		1600									29	49		189			711	154.5	2LC0300-7A	■ ■ ■ -0BA0	110
315	54000	1850	80	175	80	175	366	230	160	315	26	46	1	206	200	60	610	173	2LC0300-8A	■ ■ ■ -0AA0	130
		1600									29	49		209			711	174.5	2LC0300-8A	■ ■ ■ -0BA0	140
342	69000	1600	90	195	90	195	392	255	180	340	31	61	1	241	225	60	711	195.5	2LC0301-0A	■ ■ ■ -0AA0	165
375	98000	1600	100	220	100	220	430	290	200	375	31	61	1	261	260	60	711	215.5	2LC0301-1A	■ ■ ■ -0AA0	205
415	130000	1400	120	240	120	240	478	320	220	415	37	99	1	319	285	80	812	238.5	2LC0301-2A	■ ■ ■ -0AA0	280
465	180000	1400	140	270	140	270	528	360	240	465	41	121	1	361	325	80	812	260.5	2LC0301-3A	■ ■ ■ -0AA0	360

Variant:

- A
- AB

ØD1:

- Without finished bore – Without order codes
- With finished bore – With order codes for diameter and tolerance (article number without "-Z")

ØD2:

- Without finished bore – Without order codes
- With finished bore – With order codes for diameter and tolerance (article number without "-Z")

U

V

1

9

1

9

Q Diameter required for renewing the sealing rings.

P Length required for renewing the sealing rings.

Mass moments of inertia on request.

Weights apply to maximum bores.

Ordering example:

ZAPEX ZWBG coupling, size 146, variant A, brake disk diameter DB = 457 mm,

Part 1: Bore 40H7 mm, keyway to DIN 6885-1 P9 and set screw,
Part 2: Bore 45K7 mm, keyway to DIN 6885-1 P9 and set screw.

Article No.:

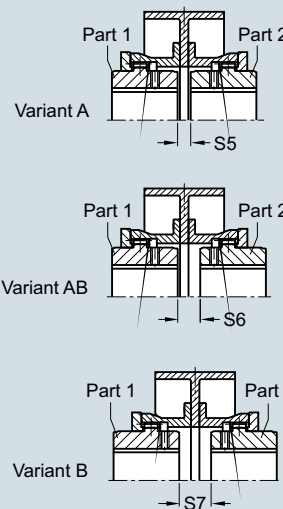
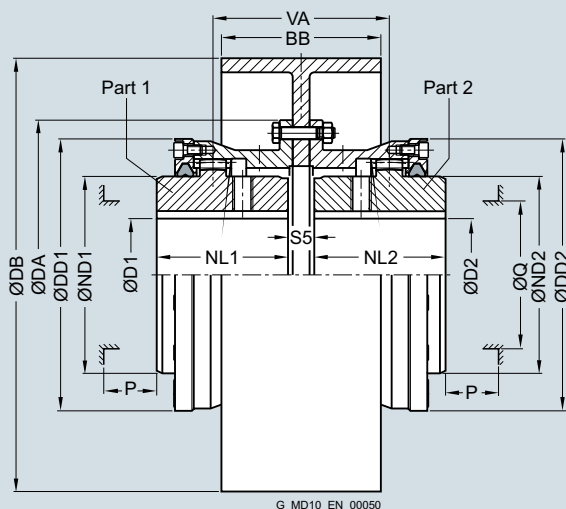
2LC0300-2AU99-0BA0-Z
LOW+M1A+M13

FLENDER Standard Couplings

Torsionally Rigid Gear Couplings – ZAPEX ZW Series

Type ZWB

Selection and ordering data



4

Size	Rated torque T_{KN} Nm	Maximum speed n_{Kmax} rpm	Dimensions in mm														Article No. Order codes for bore diameters and tolerances are specified in catalog section 3	Weight m kg
			D1, D2 Keyway DIN 6885-1 min. max.		DA	ND1/ ND2	NL1/ NL2	DD1/ DD2	S5	S6	S7	VA	Q	P	Brake disk DB BB			
128	2500	2500	0	61	157	80	60	128	16	23	30	83	60	45	200	75	2LC0300-1 ■■■■ -0AA0	12.5
		2000							16	23	30	83			250	95		2LC0300-1 ■■■■ -0BA0
146	4300	2000	0	72	177	95	75	146	16	23	30	98	75	45	250	95	2LC0300-2 ■■■■ -0AA0	19
		1600							18	25	32	100			315	118		2LC0300-2 ■■■■ -0BA0
175	7000	1600	0	85	215	112	90	175	20	26	32	116	85	50	315	118	2LC0300-3 ■■■■ -0AA0	33
		1250							22	28	34	118			400	150		2LC0300-3 ■■■■ -0BA0
198	11600	1600	0	100	237	135	100	198	20	31	42	131	110	50	315	118	2LC0300-4 ■■■■ -0AA0	41
		1250							22	33	44	133			400	150		2LC0300-4 ■■■■ -0BA0
230	19000	1250	0	120	265	160	110	230	22	34	46	144	135	50	400	150	2LC0300-5 ■■■■ -0AA0	64
		1000							23	35	47	145			500	190		2LC0300-5 ■■■■ -0BA0
255	27000	1000	0	140	294	185	125	255	25	40	55	165	160	50	500	190	2LC0300-6 ■■■■ -0AA0	95
		1000							28	43	58	168			630	236		2LC0300-6 ■■■■ -0BA0
290	39000	1000	70	160	330	210	140	290	28	48	68	188	180	60	630	236	2LC0300-7 ■■■■ -0AA0	160
		750							28	48	68	188			710	265		2LC0300-7 ■■■■ -0BA0

- Variant:
- A **A W**
 - B **A X**
 - AB **B A**
- ØD1:
- Without finished bore – Without order codes **1**
 - With finished bore – With order codes for diameter and tolerance (article number without "-Z") **9**
- ØD2:
- Without finished bore – Without order codes **1**
 - With finished bore – With order codes for diameter and tolerance (article number without "-Z") **9**

Q Diameter required for renewing the sealing rings.
 P Length required for renewing the sealing rings.
 Mass moments of inertia on request.
 Weights apply to maximum bores.

Ordering example:
 ZAPEX ZWB coupling, size 146, variant A, brake disk diameter DB = 315 mm, BB = 118 mm,
 Part 1: Bore 40H7 mm, keyway to DIN 6885-1 P9 and set screw,
 Part 2: Bore 45K7 mm, keyway to DIN 6885-1 P9 and set screw.

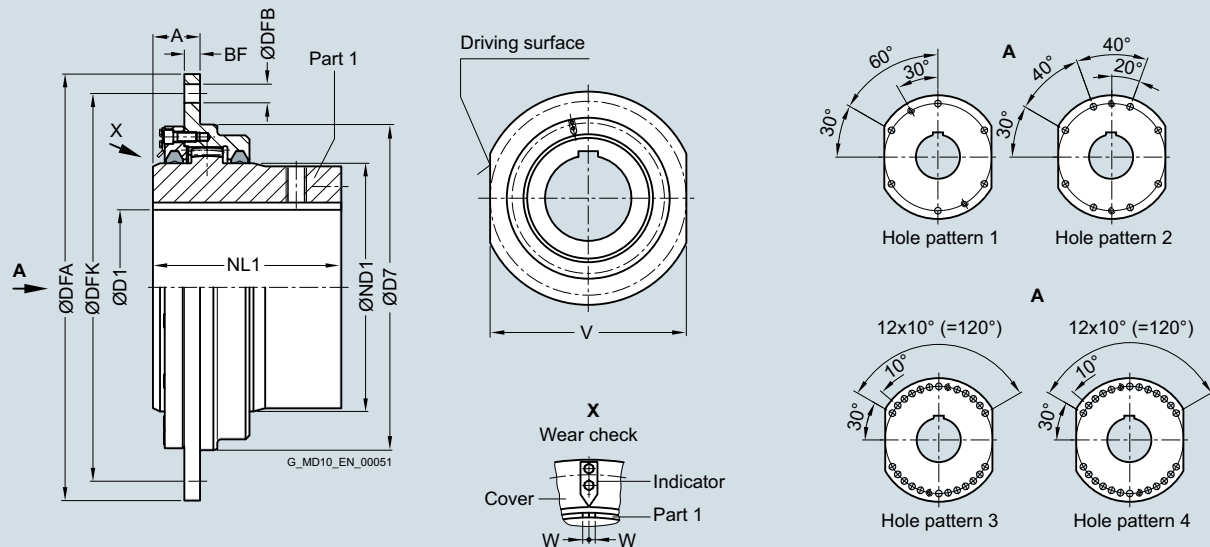
Article No.:
2LC0300-2AW99-0BA0-Z
LOW+M1A+M13

FLENDER Standard Couplings

Torsionally Rigid Gear Couplings – ZAPEX ZW Series

Type ZWTR

Selection and ordering data



Size	Rated torque T_{KN} Nm	Perm. radial load max. N	Dimensions in mm													Article No. Order codes for bore diameters and tolerances are specified in catalog section 3	Weight m kg	
			D1 Keyway DIN 6885-1 min. max.	ND1	NL1	DFA	D7 h6 h9	V	A	BF	DFK	DFB	Hole pattern	Perm. wear W				
198	14500	32500	0	95	135	125	340	220	300	45	15	300	15	1	2	2LC0300-4BN	0-0AA0	25
230	17500	36500	0	110	160	130	360	240	320	45	15	320	15	1	2	2LC0300-5BN	0-0AA0	30
255	24000	45500	0	125	185	145	380	260	340	45	15	340	19	1	2	2LC0300-6BN	0-0AA0	35
290 ¹⁾	31500	50000	0	145	210	170	400	280	360	45	15	360	19	1	3	2LC0300-7BN	0-0AA0	45
315	42000	70000	0	160	230	175	420	310	380	60	20	380	24	1	3	2LC0300-8BN	0-0AA0	60
342 ¹⁾	55000	90000	0	180	255	185	450	340	400	60	20	400	24	1	3	2LC0301-0BN	0-0AA0	70
375	78000	110000	0	200	290	220	510	400	460	60	20	460	24	1	3	2LC0301-1BN	0-0AA0	100
415 ¹⁾	104000	150000	0	220	320	240	550	420	500	60	20	500	24	1	3	2LC0301-2BN	0-0AA0	130
465 ¹⁾	155000	165000	0	250	360	260	580	450	530	60	20	530	24	2	4	2LC0301-3BN	0-0AA0	160
505 ¹⁾	235000	200000	0	275	400	315	650	530	580	65	25	600	24	2	4	2LC0301-4BN	0-0AA0	240
545 ¹⁾	390000	325000	0	300	440	350	680	560	600	65	25	630	24	3	4	2LC0301-5BN	0-0AA0	320
585 ¹⁾	460000	380000	0	330	480	380	710	600	640	81	35	660	28	4	4	2LC0301-6BN	0-0AA0	400
640 ¹⁾	600000	420000	0	360	520	410	780	670	700	81	35	730	28	4	4	2LC0301-7BN	0-0AA0	510
730 ¹⁾	880000	500000	0	415	600	450	850	730	760	81	35	800	28	4	5	2LC0302-0BN	0-0AA0	690

ØD1:
 • Without finished bore – Without order codes 1
 • With finished bore – With order codes for diameter and tolerance (article number without "-Z") 9

Total wear must not exceed 1 x W.

Mass moments of inertia on request.

Weights apply to maximum bores.

Ordering example:

ZAPEX ZWTR coupling, size 198, bore 80H7 mm, keyway to DIN 6885-1 P9 and set screw.

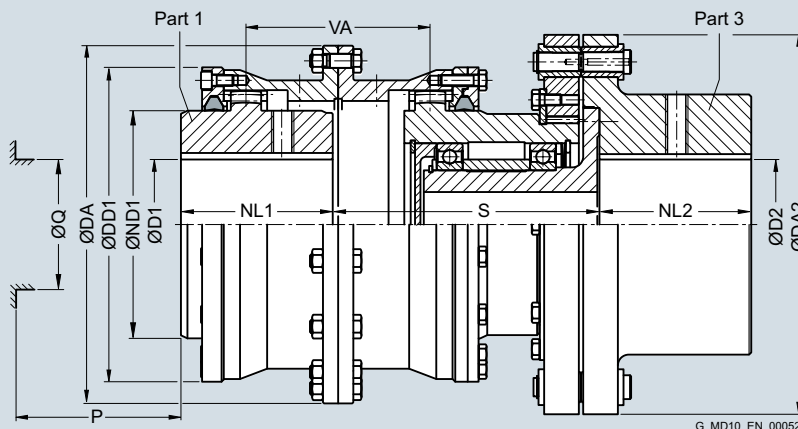
Article No.:

**2LC0300-4BN90-0AA0
L1J**¹⁾ These sizes have connection dimensions to SEB 666 212.

FLENDER Standard Couplings Torsionally Rigid Gear Couplings – ZAPEX ZW Series

Type ZBR

Selection and ordering data



4

Size	Rated torque T_{KN} Nm	Max. shear torque T_{BR} Nm	Maximum speed n_{Kmax} rpm	Dimensions in mm														Article No. Plain text required for shear torque. Order codes for bore diameters and tolerances are specified in catalog section 3	Weight m kg
				D1 Keyway DIN 6885-1		D2 Keyway DIN 6885-1		DA	ND1	NL1/ NL2	DA2	DD1	S	VA	Q	P			
				min.	max.	min.	max.												
112	1300	1690	9400	0	49	0	60	143	65	50	170	110	115	56	50	35	2LC0300-0BH Y99	-0AA0-Z	14.5
128	2500	3250	8300	0	61	0	75	157	80	60	190	128	125	73	65	45	2LC0300-1BH Y99	-0AA0-Z	19
146	4300	5590	7300	0	72	0	90	177	95	75	205	146	140	88	75	45	2LC0300-2BH Y99	-0AA0-Z	27.5
175	7000	9100	6400	0	85	0	105	215	112	90	235	175	170	104	85	50	2LC0300-3BH Y99	-0AA0-Z	43
198	11600	15080	5500	0	100	0	120	237	135	100	285	198	185	119	110	50	2LC0300-4BH Y99	-0AA0-Z	67
230	19000	24700	4700	0	120	0	135	265	160	110	300	230	200	130	135	50	2LC0300-5BH Y99	-0AA0-Z	91
255	27000	35100	4100	0	140	0	155	294	185	125	335	255	215	150	160	50	2LC0300-6BH Y99	-0AA0-Z	120
290	39000	50700	3700	70	160	70	185	330	210	140	390	290	240	170	180	60	2LC0300-7BH Y99	-0AA0-Z	170
315	54000	70200	3300	80	175	80	200	366	230	160	415	315	257	190	200	60	2LC0300-8BH Y99	-0AA0-Z	215
342	69000	89700	3000	90	195	90	235	392	255	180	460	340	290	222	225	60	2LC0301-0BH Y99	-0AA0-Z	295
375	98000	127400	2700	100	220	100	240	430	290	200	495	375	300	242	260	60	2LC0301-1BH Y99	-0AA0-Z	380
415	130000	169000	2500	120	240	120	255	478	320	220	540	415	370	294	285	80	2LC0301-2BH Y99	-0AA0-Z	520
465	180000	234000	2200	140	270	140	285	528	360	240	635	465	400	336	325	80	2LC0301-3BH Y99	-0AA0-Z	720
505	250000	325000	2000	160	300	160	320	568	400	260	710	505	420	366	365	80	2LC0301-4BH Y99	-0AA0-Z	970
545	320000	416000	1800	180	330	180	370	620	440	280	800	545	460	406	405	80	2LC0301-5BH Y99	-0AA0-Z	1250
585	400000	520000	1700	210	360	210	390	660	480	310	860	585	500	460	445	80	2LC0301-6BH Y99	-0AA0-Z	1600
640	510000	663000	1600	230	360	230	425	738	480	330	900	640	530	479	445	90	2LC0301-7BH Y99	-0AA0-Z	1850
690	660000	858000	1450	250	390	250	450	788	520	350	1020	690	580	516	475	90	2LC0301-8BH Y99	-0AA0-Z	2600
				>360	420			560								515			
730	790000	1027000	1350	275	420	275	485	834	560	380	1080	730	620	560	515	90	2LC0302-0BH Y99	-0AA0-Z	3200
				>390	450			600								555			

- ØD1:
 - Without finished bore – Without order codes 1
 - Without finished bore from size 640 for 2nd diameter range D1 – Without order codes 2
 - With finished bore – With order codes for diameter and tolerance (article number without "-Z") 9
- ØD2:
 - Without finished bore – Without order codes 1
 - Without finished bore from size 640 for 2nd diameter range D2 – Without order codes 2
 - With finished bore – With order codes for diameter and tolerance (article number without "-Z") 9

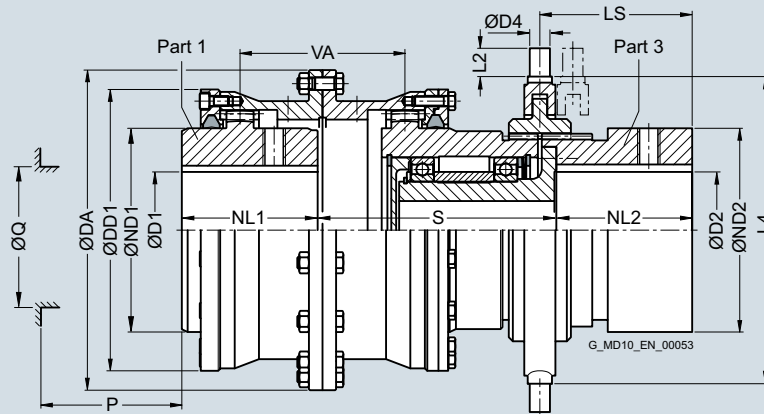
Q Diameter required for renewing the sealing rings. Mass moments of inertia on request.
 P Length required for renewing the sealing rings. Weights apply to maximum bores.

FLENDER Standard Couplings

Torsionally Rigid Gear Couplings – ZAPEX ZW Series

Type ZWS

Selection and ordering data



For engaging/disengaging during standstill.

Part 3 should be mounted on the shaft while the shaft is disconnected and not being driven.

Size	Rated torque T_{KN} Nm	Maximum speed n_{Kmax} rpm	Dimensions in mm																Article No. Order codes for bore diameters and tolerances are specified in catalog section 3	Weight m kg		
			D1 Keyway DIN 6885-1 min.	D2 Keyway DIN 6885-1 max.	DA	ND1/ ND2	NL1/ NL2	DD1	S	VA	Q	P	LS	L4	D4	L2	KSHN	KSZH				
128	2500	1500	0	61	0	50	157	80	60	128	135	73	65	45	70	150	15	14	14/11	-	2LC0300-1BK ■■ -0AA0	16
146	4300	1300	0	72	0	50	177	95	75	146	131	88	75	45	86	180	16	16	16/12	-	2LC0300-2BK ■■ -0AA0	22
175	7000	1100	0	85	0	70	215	112	90	175	165	104	85	50	101	180	16	16	16/12	-	2LC0300-3BK ■■ -0AA0	35
198	11600	960	0	100	0	80	237	135	100	198	182	119	110	50	116	210	20	18	18/13	-	2LC0300-4BK ■■ -0AA0	52
230	19000	830	0	120	0	90	265	160	110	230	198	130	135	50	126	260	22	20	18/15	14/14	2LC0300-5BK ■■ -0AA0	77
255	27000	750	0	140	0	115	294	185	125	255	215	150	160	50	142	300	25	22	21/17	16/17	2LC0300-6BK ■■ -0AA0	98
290	39000	660	70	160	70	130	330	210	140	290	236	170	180	60	157	315	25	35	-	16/211	2LC0300-7BK ■■ -0AA0	140
315	54000	600	80	175	80	140	366	230	160	315	257	190	200	60	182	360	30	24	-	18/18	2LC0300-8BK ■■ -0AA0	200
342	69000	560	90	195	90	160	392	255	180	340	280	222	225	60	202	360	30	24	-	18/18	2LC0301-0BK ■■ -0AA0	230
375	98000	510	100	220	100	180	430	290	200	375	292	242	260	60	222	430	34	26	-	24/20	2LC0301-1BK ■■ -0AA0	340
415	130000	460	120	240	120	210	478	320	220	415	349	294	285	80	247	430	34	26	-	24/20	2LC0301-2BK ■■ -0AA0	430
465	180000	410	140	270	140	230	528	360	240	465	380	336	325	80	267	-	-	-	-	-	2LC0301-3BK ■■ -0AA0	570
505	250000	380	160	300	160	260	568	400	260	505	395	366	365	80	287	-	-	-	-	-	2LC0301-4BK ■■ -0AA0	740
545	320000	350	180	330	180	270	620	440	280	545	460	406	405	80	315	-	-	-	-	-	2LC0301-5BK ■■ -0AA0	1000

ØD1: • Without finished bore – Without order codes

• With finished bore – With order codes for diameter and tolerance (article number without "-Z")

ØD2: • Without finished bore – Without order codes

• With finished bore – With order codes for diameter and tolerance (article number without "-Z")

Q Diameter required for renewing the sealing rings.

P Length required for renewing the sealing rings.

Mass moments of inertia on request.

Weights apply to maximum bores.

KSHN: Manual lever switch type KSHN to M4218

KSZH: Toothed rack type KSZH to M4215

Pneumatically or hydraulically actuated switches also available.

Ordering example:

ZAPEX ZWS coupling, size 146,

Part 1: Bore 40H7 mm, keyway to DIN 6885-1 P9 and set screw,

Part 3: Bore 45K7 mm, keyway to DIN 6885-1 P9 and set screw.

Article No.:

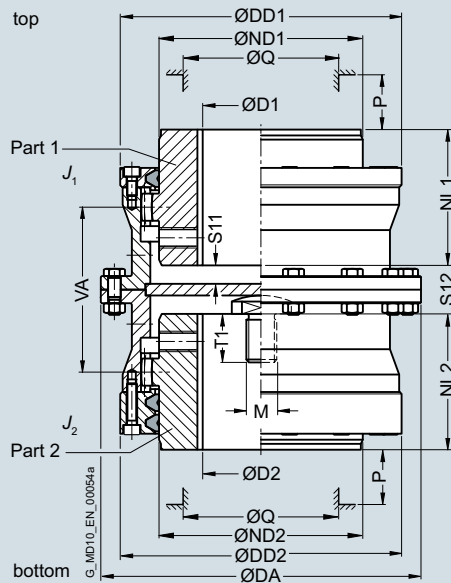
2LC0300-2BK99-0AA0-Z**LOW+M1A+M13**

FLENDER Standard Couplings

Torsionally Rigid Gear Couplings – ZAPEX ZWNV Series

Type ZWNV

Selection and ordering data



When ordering, state thread size M and thread length T1 of the thrust piece.

Size	Rated torque	Maximum speed	Dimensions in mm											Mass moment of inertia J_1/J_2	Article No. Plain text for thread size M and thread length T1 necessary. Order codes for bore diameters and tolerances are specified in catalog section 3	Weight m
	T_{KN}	n_{Kmax}	D1, D2 Keyway DIN 6885-1	DA	ND1/ ND2	NL1/ NL2	DD1/ DD2	S11	S12	VA	Q	P	kgm ²			
	Nm	rpm	min.	max.												
128	2500	8300	0	61	157	80	60	128	6.5	26	73	65	45	0.015	2LC0300-1AH Y99	9.1
146	4300	7300	0	72	177	95	75	146	6	28	88	75	45	0.023	2LC0300-2AH Y99	13
175	7000	6400	0	85	215	112	90	175	5.5	33	104	85	50	0.055	2LC0300-3AH Y99	22
198	11600	5500	0	100	237	135	100	198	10	40	119	110	50	0.095	2LC0300-4AH Y99	31
230	19000	4700	0	120	265	160	110	230	11	32	130	135	50	0.18	2LC0300-5AH Y99	43
255	27000	4100	0	140	294	185	125	255	14	40	150	160	50	0.28	2LC0300-6AH Y99	56
290	39000	3700	70	160	330	210	140	290	19	50	170	180	60	0.55	2LC0300-7AH Y99	81
315	54000	3300	80	175	366	230	160	315	18	50	190	200	60	0.88	2LC0300-8AH Y99	110
342	69000	3000	90	195	392	255	180	340	29	72	222	225	60	1.3	2LC0301-0AH Y99	140
375	98000	2700	100	220	430	290	200	375	29	72	242	260	60	2.1	2LC0301-1AH Y99	185
415	130000	2500	120	240	478	320	220	415	60	136	294	285	80	3.4	2LC0301-2AH Y99	250
465	180000	2200	140	270	528	360	240	465	80	176	336	325	80	5.6	2LC0301-3AH Y99	340
505	250000	2000	160	300	568	400	260	505	89	196	366	365	80	8.2	2LC0301-4AH Y99	420

ØD1: • Without finished bore – Without order codes

• With finished bore – With order codes for diameter and tolerance (article number without "-Z")

1

9

ØD2: • Without finished bore – Without order codes

• With finished bore – With order codes for diameter and tolerance (article number without "-Z")

1

9

Q Diameter required for renewing the sealing rings.

P Length required for renewing the sealing rings.

Mass moments of inertia apply to a coupling half with maximum bore diameter.

Weights apply to the entire coupling with maximum bores.

Ordering example:

ZAPEX ZWNV coupling, size 146, thread M 10 x 20 deep,
Part 1: Bore 40H7mm, keyway to DIN 6885-1 P9 and set screw,
Part 2: Bore 45K7 mm, keyway to DIN 6885-1 P9 and set screw.

Article No.:

2LC0300-2AH99-0AA0-Z

LOW+M1A+M13+Y99

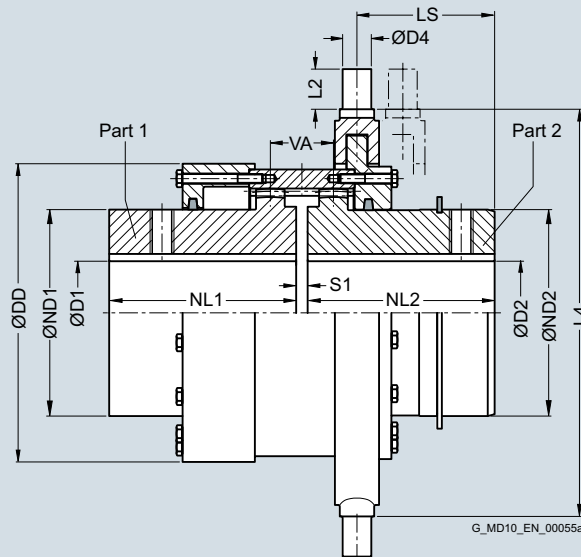
Plain text to Y99: **Thread M10 x 20 mm**

FLENDER Standard Couplings

Torsionally Rigid Gear Couplings – ZAPEX ZW Series

Type ZWSE

Selection and ordering data



For engaging/disengaging during standstill. Protect sliding surfaces from dirt and corrosion; sprayed with adhesive grease.

Part 2 should be mounted on the shaft while the shaft is disconnected and not being driven.

Size	Rated torque T_{KN} Nm	Maximum speed n_{Kmax} rpm	Dimensions in mm														Shift ring	Switch	Article No. Order codes for bore diameters and tolerances are specified in catalog section 3	Weight m kg		
			D1 Keyway DIN 6885-1 min.	D2 Keyway DIN 6885-1 max.	ND1	ND2	NL1	NL2	DD	S1	VA	LS	L4	D4	L2	KSHN Size					KSZH Size	
128	2500	730	0	55	0	55	76.5	75	60	60	130	6	30	36.5	180	16	16	16	–	2LC0300-1BM	■ ■ -0AA0	8.8
146	4300	630	0	69	0	65	91.5	90	75	75	150	6	33	50	210	20	18	18	–	2LC0300-2BM	■ ■ -0AA0	13.5
175	7000	530	0	80	0	75	108	105	90	90	180	8	46	56.5	250	20	30	18	–	2LC0300-3BM	■ ■ -0AA0	23
198	11600	470	0	95	0	95	130	130	100	100	204	8	48	64.5	260	22	20	18	–	2LC0300-4BM	■ ■ -0AA0	32
230	19000	410	0	115	0	110	155	155	110	110	236	8	50	73	300	25	22	21	–	2LC0300-5BM	■ ■ -0AA0	44
255	27000	370	0	135	0	130	180	180	125	125	260	10	55	82	355	25	35	24	–	2LC0300-6BM	■ ■ -0AA0	63
290	39000	330	70	155	70	145	210	210	140	140	295	10	38	68.5	355	25	35	24	–	2LC0300-7BM	■ ■ -0AA0	82
315	54000	300	80	170	80	165	230	230	160	160	325	10	42	76	355	25	35	24	–	2LC0300-8BM	■ ■ -0AA0	105
342	69000	280	90	190	90	175	255	255	180	180	345	12	46	72	430	34	26	–	24	2LC0301-0BM	■ ■ -0AA0	145
375	98000	250	100	210	100	200	280	280	200	200	378	12	48	97	430	34	26	–	24	2LC0301-1BM	■ ■ -0AA0	180
415	130000	220	120	240	120	225	320	320	220	240	425	12	52	120	580	40	40	–	24	2LC0301-2BM	■ ■ -0AA0	295
465	180000	200	140	270	140	250	360	360	240	260	470	16	60	150	580	40	40	–	24	2LC0301-3BM	■ ■ -0AA0	350
505	250000	180	160	300	160	270	400	400	260	280	510	16	62	161	–	–	–	–	24	2LC0301-4BM	■ ■ -0AA0	400
ØD1:	<ul style="list-style-type: none"> Without finished bore – Without order codes With finished bore – With order codes for diameter and tolerance (article number without "-Z") 																			1 9		
ØD2:	<ul style="list-style-type: none"> Without finished bore – Without order codes With finished bore – With order codes for diameter and tolerance (article number without "-Z") 																			1 9		

Weights apply to the entire coupling with maximum bores.

Mass moment of inertia on request.

Ordering example:

ZAPEX ZWSE coupling, size 146,

Part 1: Bore 40H7 mm, keyway to DIN 6885-1 P9 and set screw,

Part 2: Bore 45K7 mm, keyway to DIN 6885-1 P9 and set screw.

Article No.:

2LC0300-2BM99-0AA0-Z

LOW+M1A+M13

FLENDER Standard Couplings

Torsionally Rigid Gear Couplings – ZAPEX ZW Series

Customized hub design
for ZAPEX ZW Series

Selection and ordering data

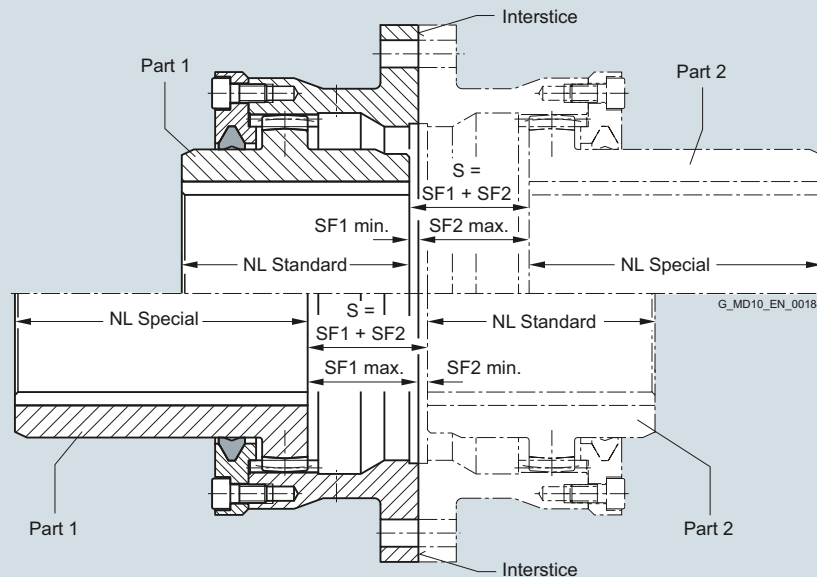
ZAPEX couplings can be provided with customized S-dimensions and hub lengths.

The entire dimension S results from the sum of the individual measurements SF1 and SF2. SF1 and SF2 are the measurements from the interstice of the coupling ring flange up to the beginning of the respective hub. As standard SF1 and SF2 are identical to each other and the entire S-dimension arises in accordance with them.

SF1 and SF2 can be chosen different on customer request, however the minimal and maximum values of the following table have to be observed. Within these limits the measurements SF1 and SF2 may be chosen freely.

The distance VA of the coupling teeth, the permitted bore diameter and the hub diameter remain unchanged.

By stating the hub S-dimension and both hub lengths the coupling is completely described.



Geometric data

Size	Standard hub length	Minimal dimension	Maximum dimension
	NL	SF1 or SF2	SF1 or SF2
	Standard	min.	max.
	mm	mm	mm
112	50	3	23
128	60	3	30.5
146	75	3	36.5
175	90	4	43
198	100	4	49.5
230	110	4	54
255	125	5	62.5
290	140	5	71
315	160	5	79
342	180	6	94
375	200	6	103
415	220	6	127
465	240	8	146
505	260	8	160

The minimal hub lengths are not to fall below the standard hub lengths. If there's no other possibility, at the hub lengths smaller than standard hub length the order codes "Y50" for part 1 and "Y51" for part 2 must be stated in plain text.

Order code for hub prolongations (Y4.); Std-NL = Standard hub length

Part 1		Part 2	
Selected (special) hub length order code		Selected (special) hub length order code	
min.	max.	min.	max.
> Std-NL	≤ 1.25 · Std-NL	Y40	(specification of hub length in plain text)
> 1.25 · Std-NL	≤ 1.5 · Std-NL	Y42	(specification of hub length in plain text)
> 1.5 · Std-NL	≤ 1.75 · Std-NL	Y44	(specification of hub length in plain text)
> 1.75 · Std-NL	≤ 2 · Std-NL	Y46	(specification of hub length in plain text)
> 2 · Std-NL		Y48	(specification of hub length in plain text)

Article number

The Article number of the respective ZAPEX coupling type must be supplemented with "-Z" and order codes for no standard SF-dimensions (order code "Y38" for part 1 and "Y39" for part 2). For no standard hub lengths the order codes "Y40" to "Y49" must be specified (see the table below).

Ordering example:

ZAPEX coupling ZWN 175, variant A

Hub left: bore D1 = 70H7 mm, keyway to DIN 6885-1 P9 and set screw; NL1 = 160 mm; SF1 = 10 mm

Hub right: bore D2 = 75H7 mm, keyway to DIN 6885-1 P9 and set screw; NL2 = 100 mm; SF2 = 25 mm

Article No.:

2LC0300-3AA99-0AA0-Z

L1G M1H Y38 Y39 Y41 Y46

Plain text to **Y38: SF1 = 10 mm**

Plain text to **Y39: SF2 = 25 mm**

Plain text to **Y46: NL1 = 160 mm**

Plain text to **Y41: NL2 = 100 mm**

FLENDER Standard Couplings

Torsionally Rigid Gear Couplings – ZAPEX ZW Series

Spare and wear parts

Selection and ordering data

DUO sealing rings

The DUO sealing rings are wear parts and must be replaced in accordance with the operating instructions.

Siemens high-performance grease (cartridge 300 g)

FFA:000000501027

Sealing compound (tube 60 ml)

FFA:000001443780

Size	Hub diameter ND1/ND2 mm	Article No.
112	65	2LC0300-0XG00-0AA0
128	80	2LC0300-1XG00-0AA0
146	95	2LC0300-2XG00-0AA0
175	112	2LC0300-3XG00-0AA0
198	135	2LC0300-4XG00-0AA0
230	160	2LC0300-5XG00-0AA0
255	185	2LC0300-6XG00-0AA0
290	210	2LC0300-7XG00-0AA0
315	230	2LC0300-8XG00-0AA0
342	255	2LC0301-0XG00-0AA0
375	290	2LC0301-1XG00-0AA0
415	320	2LC0301-2XG00-0AA0
465	360	2LC0301-3XG00-0AA0
505	400	2LC0301-4XG00-0AA0
545	440	2LC0301-5XG00-0AA0
585	480	2LC0301-6XG00-0AA0
640	480 520	2LC0301-7XG10-0AA0 2LC0301-7XG20-0AA0
690	520 560	2LC0301-8XG10-0AA0 2LC0301-8XG20-0AA0
730	560 600	2LC0302-0XG10-0AA0 2LC0302-0XG20-0AA0
780	600 650	2LC0302-1XG10-0AA0 2LC0302-1XG20-0AA0
852	650 710	2LC0302-2XG10-0AA0 2LC0302-2XG20-0AA0
910	710 750	2LC0302-3XG10-0AA0 2LC0302-3XG20-0AA0
1020	750 800	2LC0302-4XG10-0AA0 2LC0302-4XG20-0AA0
1080	800 860	2LC0302-5XG10-0AA0 2LC0302-5XG20-0AA0
1150	860 930	2LC0302-6XG10-0AA0 2LC0302-6XG20-0AA0
1160	860 930 990	2LC0302-7XG10-0AA0 2LC0302-7XG20-0AA0 2LC0302-7XG30-0AA0
1240	930 990 1055	2LC0302-8XG10-0AA0 2LC0302-8XG20-0AA0 2LC0302-8XG30-0AA0
1310	930 990 1055 1120	2LC0303-0XG10-0AA0 2LC0303-0XG20-0AA0 2LC0303-0XG30-0AA0 2LC0303-0XG40-0AA0
1380	990 1055 1120 1170	2LC0303-1XG10-0AA0 2LC0303-1XG20-0AA0 2LC0303-1XG30-0AA0 2LC0303-1XG40-0AA0
1440	1055 1120 1170 1240	2LC0303-2XG10-0AA0 2LC0303-2XG20-0AA0 2LC0303-2XG30-0AA0 2LC0303-2XG40-0AA0
1540	1120 1170 1240 1310	2LC0303-3XG10-0AA0 2LC0303-3XG20-0AA0 2LC0303-3XG30-0AA0 2LC0303-3XG40-0AA0

Torsionally Rigid Gear Couplings

ZAPEX ZN Series

5



5/2	Overview
5/2	Benefits
5/2	Application
5/2	Design
5/2	Function
5/3	Technical data
5/4	Type ZNN
5/4	Selection and ordering data
5/5	Type ZNZS
5/5	Selection and ordering data
5/6	Type ZNW
5/6	Selection and ordering data
5/7	Type ZNBG
5/7	Selection and ordering data
5/8	Type ZNNA
5/8	Selection and ordering data
5/9	Type ZNZA
5/9	Selection and ordering data
5/10	Type ZNNV
5/10	Selection and ordering data
5/11	Type ZNN for axial displacement
5/11	Selection and ordering data
5/12	Customized hub design for ZAPEX ZN Series
5/12	Selection and ordering data
5/13	Type ZN – flange connection dimensions
5/13	Selection and ordering data
5/14	Spare and wear parts
5/14	Selection and ordering data

FLENDER Standard Couplings

Torsionally Rigid Gear Couplings – ZAPEX ZN Series

General information

Overview



Coupling suitable for use in potentially explosive atmospheres.
Complies with the current ATEX Directive for:

CE Ex II 2 GD c 120 °C (T4)
 -20 °C ≤ T_a ≤ +80 °C

CE Ex I M2

Materials

- Hubs and flanged sleeves: Steel
- O ring: Perbunan
- Lubricant: Grease filling

Benefits

ZAPEX gear couplings link machine shafts and compensate for shaft misalignment with weak restorative forces. High transmissible torque combined with compactness and light weight are characteristic of ZAPEX couplings. ZAPEX coupling types are constructed on a modular principle, so application-related solutions can be delivered quickly.

This coupling requires very little maintenance. Regular grease changes at the prescribed intervals prolong the service life of the coupling.

Application

ZAPEX couplings are especially suited for operation in harsh operating conditions, such as drives in the iron smelting or cement industry. ZAPEX couplings are suitable for reverse operation and horizontal mounting positions and, in the case of type ZNNV, for vertical mounting positions.

Design

A ZAPEX coupling comprises two hub sections with external teeth which are mounted on the machine shafts. The external teeth engage with a flanged sleeve with corresponding internal teeth. The flanged sleeves are connected via two flanges with close-fitting bolts.

The teeth are lubricated with grease. On the ZAPEX type ZN, O-rings are used to seal the tooth space. The O-rings prevent the lubricant from escaping and dirt from entering the tooth space. The parallel keyways must be sealed during assembly to prevent lubricant from escaping.

Customized hub designs are described after the types.

ZAPEX ZN gear coupling types

Type	Description
ZNN	Standard type
ZNZS	With adapter
ZNW	With intermediate shaft
ZNBG	With straight brake disk
ZNNA	With axial backlash limiter
ZNZA	With adapter and axial backlash limiter
ZNNV	Vertical type
ZNN	For axial displacement

Further application-related coupling types are available. Dimension sheets for and information on these are available on request.

Function

The torque is transmitted through the coupling teeth. The teeth are crowned, so angular displacement per tooth plane is possible. Radial misalignment can be compensated for via the space VA between the tooth planes. The internal teeth of the flanged sleeves are significantly wider than the external teeth of the hub parts, permitting a relatively high axial misalignment.

A small angular misalignment on the coupling teeth results in an advantageous distribution of the lubricant film in contact with the teeth and a very low wear rate. This favorable condition can be deliberately set by aligning the drive with the machine shafts with a slight radial misalignment.

FLENDER Standard Couplings

Torsionally Rigid Gear Couplings – ZAPEX ZN Series

General information

Technical data

Power ratings

Size	Rated torque	Maximum torque	Overload torque	Fatigue torque	Torsional stiffness	Permitted axial shaft misalignment
	T_{KN} Nm	T_{Kmax} Nm	T_{KOL} Nm	T_{KW}	ZN C_{Tdyn} kNm/rad	ΔK_a mm
83	1020	2040	4080	408	500	1
107	2210	4420	8840	884	1400	1
130	4020	8040	16080	1600	2500	1
156	6600	13200	26400	2640	5800	1
181	11000	22000	44000	4400	9200	1
211	19200	38400	76800	7680	16600	1
250	30680	61360	122720	12270	27300	1
274	43550	87100	174200	17400	41500	1.5
307	61750	123500	247000	24700	61000	1.5
333	87100	174200	348400	34800	79000	1.5
364	117000	234000	468000	46800	99000	1.5
424	162500	325000	650000	64800	156000	1.5

The specified torsional stiffness "ZN" applies to coupling types ZNN, ZNNA, ZNNV and ZNN for axial displacement.

Torsional stiffness of types ZNZS, ZNW, ZNBS and ZNZA on request.

The axial misalignment ΔK_a must be understood as the maximum permitted enlargement of the hub distance S of the coupling.

The axial misalignment ΔK_a does not apply to the types ZNNA, ZNNV, ZNBS and ZNZA.

Angular misalignment ΔK_w

- Types ZNN, ZNZS, ZNW, ZNNV, ZNN for axial displacement: $\Delta K_w = 0.5^\circ$
- Types ZNBS, ZNNA, ZNZA: $\Delta K_w = 0.2^\circ$

Radial misalignment ΔK_r

- Types ZNN, ZNZS, ZNW, ZNNV, ZNN for axial displacement: $\Delta K_r \leq VA \cdot \tan 0.5^\circ$
- Types ZNBS, ZNNA, ZNZA: $\Delta K_r \leq VA \cdot \tan 0.2^\circ$

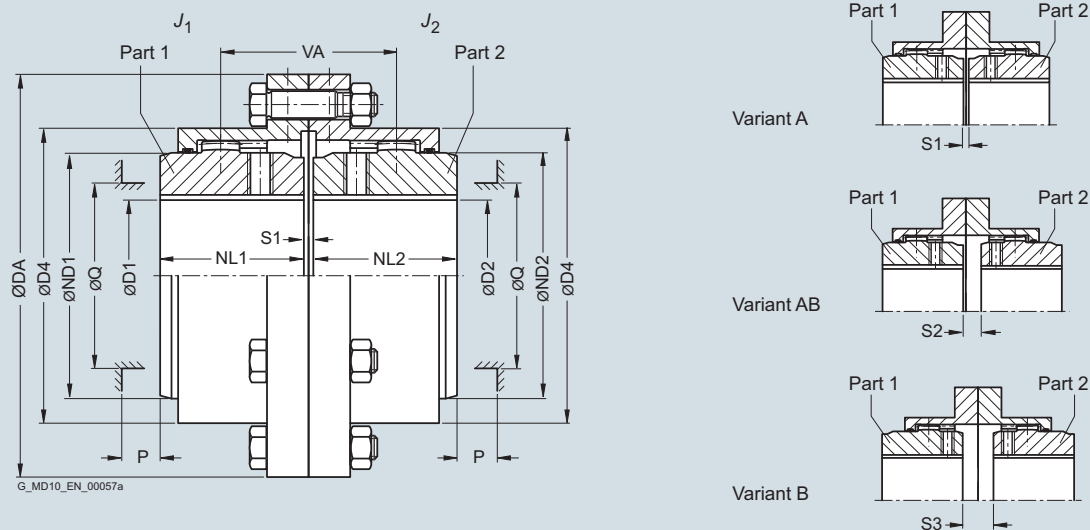
For the tooth distance VA, see the relevant table for the subassembly.

FLENDER Standard Couplings

Torsionally Rigid Gear Couplings – ZAPEX ZNN Series

Type ZNN

Selection and ordering data



Size	Rated torque T_{KN} Nm	Maximum speed n_{Kmax} rpm	Dimensions in mm													Mass moment of inertia J_1/J_2 kgm ²	Article No. Order codes for bore diameters and tolerances are specified in catalog section 3	Weight m kg
			D1, D2 Keyway DIN 6885-1 min. max.		DA	ND1/ ND2	NL1/ NL2	D4	S1	S2	S3	VA	Q	P				
83	1020	8500	0	50	117	67	43	83	3	12	21	55	52	31	0.003	2LC0330-0A ■■■■ -0AA0	3.2	
107	2210	7700	0	65	152	87	50	107	3	9	15	59	68	34	0.009	2LC0330-1A ■■■■ -0AA0	6.5	
130	4020	6900	0	82	178	108	62	129.5	3	17	31	79	85	42	0.02	2LC0330-2A ■■■■ -0AA0	9.8	
156	6600	6200	0	100	213	130	76	156	5	17	29	93	110	47	0.05	2LC0330-3A ■■■■ -0AA0	17.5	
181	11000	5800	0	116	240	153	90	181	5	19	33	109	130	58	0.09	2LC0330-4A ■■■■ -0AA0	25.5	
211	19200	5100	0	137	280	180	105	211	6	23	40	128	150	67	0.21	2LC0330-5A ■■■■ -0AA0	43	
250	30680	4500	0	164	318	214	120	249.5	6	24	42	144	175	72	0.39	2LC0330-6A ■■■■ -0AA0	60	
274	43550	4000	80	178	347	233	135	274	8	29	50	164	190	81	0.59	2LC0330-7A ■■■■ -0AA0	82	
307	61750	3750	90	198	390	260	150	307	8	32	56	182	220	91	1.1	2LC0330-8A ■■■■ -0AA0	115	
333	87100	3550	100	216	425.5	283	175	332.5	8	39	70	214	250	104	1.8	2LC0331-0A ■■■■ -0AA0	155	
364	117000	3400	120	242	457	312	190	364	8	46	84	236	265	126	2.3	2LC0331-1A ■■■■ -0AA0	180	
424	162500	3200	150	288	527	371	220	423.5	10	43	76	263	300	140	4.9	2LC0331-2A ■■■■ -0AA0	275	
Variant:	<ul style="list-style-type: none"> • A • B • AB 															A B C		
ØD1:	<ul style="list-style-type: none"> • Without finished bore – Without order codes • With finished bore – With order codes for diameter and tolerance (article number without "-Z") 															1 9		
ØD2:	<ul style="list-style-type: none"> • Without finished bore – Without order codes • With finished bore – With order codes for diameter and tolerance (article number without "-Z") 															1 9		

Q Diameter required for renewing the sealing rings.

P Length required for renewing the sealing rings, aligning the coupling parts and tightening the set screw.

Mass moments of inertia apply to a coupling half with maximum bore diameter.

Weights apply to the entire coupling with maximum bores.

Ordering example:

ZAPEX ZNN coupling, size 107, variant A,
Part 1: Bore 40H7 mm, keyway to DIN 6885-1 P9 and set screw,
Part 2: Bore 45K7 mm, keyway to DIN 6885-1 P9 and set screw.

Article No.:

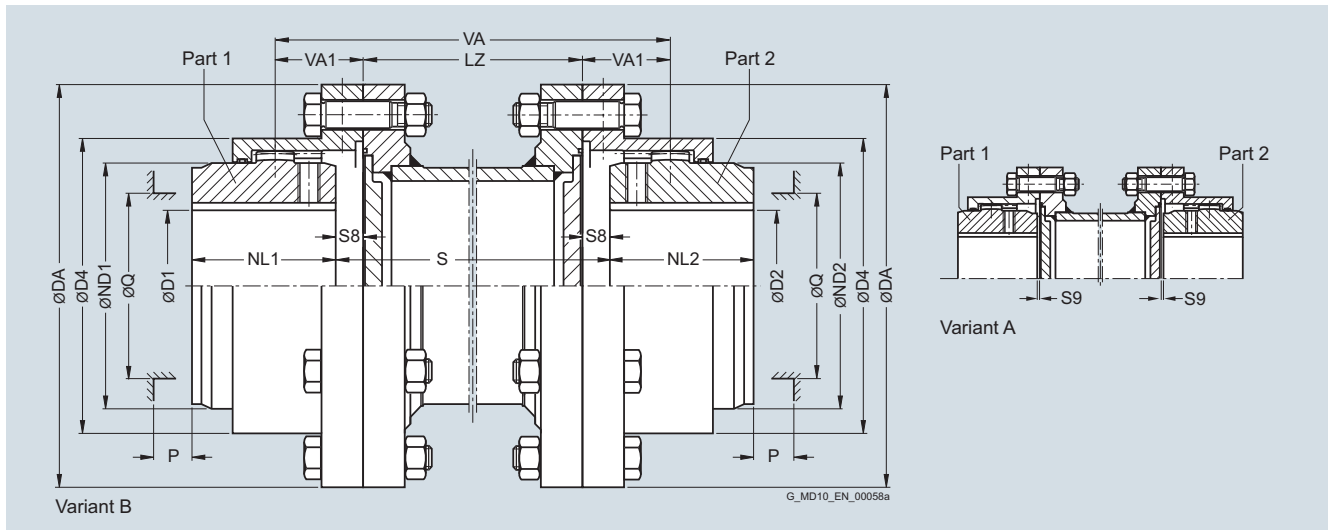
2LC0330-1AA99-0AA0-Z
LOW+M1A+M13

FLENDER Standard Couplings

Torsionally Rigid Gear Couplings – ZAPEX ZN Series

Type ZNZS

Selection and ordering data



Size	Rated torque T_{KN}	Dimensions in mm											Article No. Plain text required for dimension S Order codes for bore diameters and tolerances are specified in catalog section 3	Weight		
		D1, D2 Keyway DIN 6885-1		DA	ND1/ ND2	NL1/ NL2	D4	S8	S9	VA1	Q	P		LZ	<i>m</i>	<i>m</i>
	Nm	min.	max.									min.	kg	kg		
83	1020	0	50	117	67	43	83	10.5	1.5	27.5	52	31	75	2LC0330-0A ■■■■ -0AZ0 Q0Y	0.9	5.5
107	2210	0	65	152	87	50	107	7.5	1.5	29.5	68	34	85	2LC0330-1A ■■■■ -0AZ0 Q0Y	0.8	12
130	4020	0	82	178	108	62	129.5	15.5	1.5	39.5	85	42	95	2LC0330-2A ■■■■ -0AZ0 Q0Y	1.2	16
156	6600	0	100	213	130	76	156	14.5	2.5	46.5	110	47	110	2LC0330-3A ■■■■ -0AZ0 Q0Y	2.3	28
181	11000	0	116	240	153	90	181	16.5	2.5	54.5	130	58	110	2LC0330-4A ■■■■ -0AZ0 Q0Y	3.5	40
211	19200	0	137	280	180	105	211	20	3	64	150	67	125	2LC0330-5A ■■■■ -0AZ0 Q0Y	4.5	64
250	30680	0	164	318	214	120	249.5	21	3	72	175	72	125	2LC0330-6A ■■■■ -0AZ0 Q0Y	6.3	91
274	43550	80	178	347	233	135	274	25	4	82	190	81	125	2LC0330-7A ■■■■ -0AZ0 Q0Y	7.2	115
307	61750	90	198	390	260	150	307	28	4	91	220	91	145	2LC0330-8A ■■■■ -0AZ0 Q0Y	9.1	175
333	87100	100	216	425.5	283	175	332.5	35	4	107	250	104	145	2LC0331-0A ■■■■ -0AZ0 Q0Y	12	220
364	117000	120	242	457	312	190	364	42	4	118	265	126	145	2LC0331-1A ■■■■ -0AZ0 Q0Y	15	245
424	162500	150	288	527	371	220	423.5	38	5	131.5	300	140	145	2LC0331-2A ■■■■ -0AZ0 Q0Y	16	360

Variant:	<ul style="list-style-type: none"> • A • B 	D	1
ØD1:	<ul style="list-style-type: none"> • Without finished bore – Without order codes • With finished bore – With order codes for diameter and tolerance (article number without "-Z") 	E	9
ØD2:	<ul style="list-style-type: none"> • Without finished bore – Without order codes • With finished bore – With order codes for diameter and tolerance (article number without "-Z") 		9

$$VA = 2 \cdot VA1 + LZ$$

Q Diameter required for renewing the sealing rings.

P Length required for renewing the sealing rings, aligning the coupling parts and tightening the set screw.

Mass moments of inertia on request.

Weights apply to the entire coupling with maximum bores and an adapter length of LZ min.

Maximum speed, limited by weight and critical adapter speed, on request.

Ordering example:

ZAPEX ZNZS coupling, size 107, variant B, adapter for S = 250 mm, Part 1: Bore 40H7 mm, keyway to DIN 6885-1 P9 and set screw, Part 2: Bore 45K7 mm, keyway to DIN 6885-1 P9 and set screw.

Article No.:

2LC0330-1AE99-0AZ0-Z

L0W+M1A+Q0Y+M13

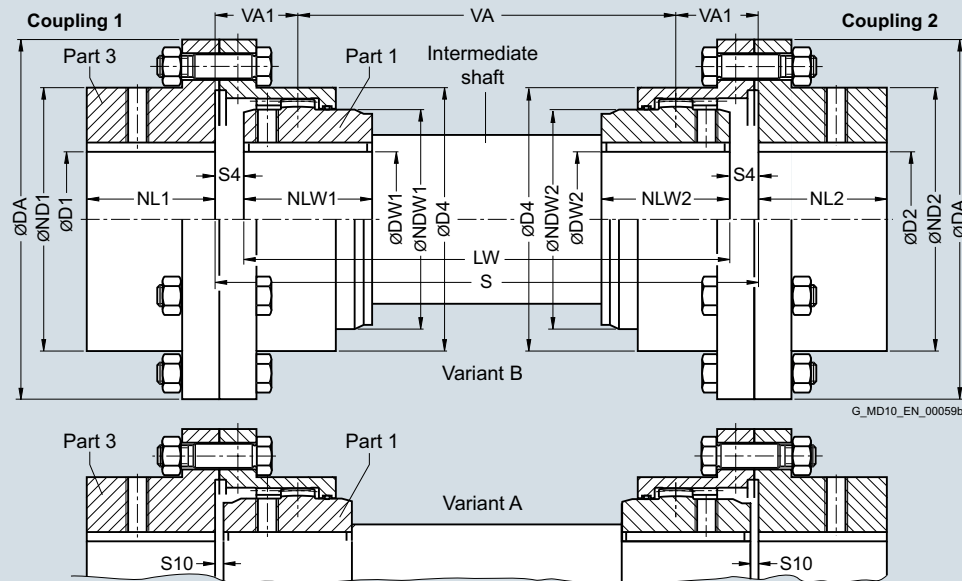
Plain text to Q0Y: **S = 250 mm**

FLENDER Standard Couplings

Torsionally Rigid Gear Couplings – ZAPEX ZN Series

Type ZNW

Selection and ordering data



G_MD10_EN_00059b

Size	Rated torque T_{KN}	Dimensions in mm											Article No. Order codes for bore diameters and tolerances are specified in catalog section 3	Weight m		
		D1, D2 Keyway DIN 6885-1		DA	ND1/ ND2	NL1/ NL2/ NLW1/ NLW2	DW1, DW2 Keyway DIN 6885		NDW1/ D4 NDW2	S4	S10	VA1			kg	
	Nm	min.	max.			min.	max.									
83	1020	0	61	117	83	43	0	50	67	83	12	3	29	2LC0330-0A ■ ■ ■ -0AA0	3.1	
107	2210	0	79	152	107	50	0	65	87	107	9	3	31	2LC0330-1A ■ ■ ■ -0AA0	6.2	
130	4020	0	96	178	129.5	62	0	82	108	129.5	17	3	41	2LC0330-2A ■ ■ ■ -0AA0	9.5	
156	6600	0	116	213	156	76	0	100	130	156	17	5	49	2LC0330-3A ■ ■ ■ -0AA0	17	
181	11000	0	134	240	181	90	0	116	153	181	19	5	57	2LC0330-4A ■ ■ ■ -0AA0	24.5	
211	19200	0	156	280	211	105	0	137	180	211	23	6	67	2LC0330-5A ■ ■ ■ -0AA0	41	
250	30680	0	184	318	249.5	120	0	164	214	249.5	24	6	75	2LC0330-6A ■ ■ ■ -0AA0	58	
274	43550	80	202	347	274	135	80	178	233	274	29	8	86	2LC0330-7A ■ ■ ■ -0AA0	76	
307	61750	90	228	390	307	150	90	198	260	307	32	8	95	2LC0330-8A ■ ■ ■ -0AA0	110	
333	87100	100	247	425.5	332.5	175	100	216	283	332.5	39	8	111	2LC0331-0A ■ ■ ■ -0AA0	150	
364	117000	120	270	457	364	190	120	242	312	364	46	8	122	2LC0331-1A ■ ■ ■ -0AA0	170	
424	162500	150	313	527	423.5	220	150	288	371	423.5	43	10	136.5	2LC0331-2A ■ ■ ■ -0AA0	270	
Variant:																V
																W
∅D1:																1
																9
∅D2:																1
																9

$$VA = S - 2 \cdot VA1$$

Mass moments of inertia on request.

Weights apply to either coupling 1 or 2 with maximum bores, without intermediate shaft.

Maximum speed, limited by weight and critical speed of intermediate shaft, on request.

Ordering example:

Coupling 1:

ZAPEX ZNW coupling, size 107, variant B,

Part 3: Bore 45K7 mm, keyway to DIN 6885-1 P9 and set screw,

Part 1: Bore 45H7 mm, keyway to DIN 6885-1 P9 and set screw.

Article No.:

2LC0330-1AW99-0AA0-Z
L1A+L13+M1A

Intermediate shaft:

Intermediate shaft to ZAPEX ZNW coupling, size 107, length LW = 570 mm, shaft journal $\varnothing 45p6 \times 50$ long; keyway DIN 6885-1.

Article No.:

2LC9330-0XH00-0AA0-Z**Y99**Plain text to Y99: **DW1 = 45p6 mm, NLW1 = 50 mm, DW2 = 45p6 mm, NLW2 = 50 mm, LW = 570 mm**

Coupling 2:

ZAPEX ZNW coupling, size 107, variant B,

Part 1: Bore 45H7 mm, keyway to DIN 6885-1 P9 and set screw,

Part 3: Bore 45K7 mm, keyway to DIN 6885-1 P9 and set screw.

Article No.:

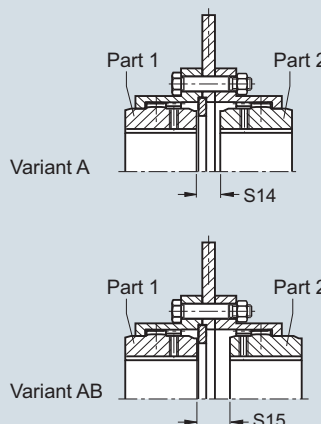
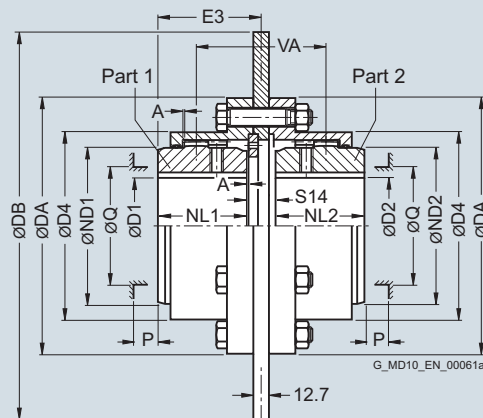
2LC0330-0AW99-0AA0-Z
L1A+M1A+M13

FLENDER Standard Couplings

Torsionally Rigid Gear Couplings – ZAPEX ZN Series

Type ZNBG

Selection and ordering data



Variant limited in displacement and axial movement. Max. displacement 0.2°.

Size	Rated torque T_{KN}	Maximum speed n_{Kmax}	Dimensions in mm													Article No. Order codes for bore diameters and tolerances are specified in catalog section 3	Weight <i>m</i>		
			D1, D2 Keyway DIN 6885-1 min. max.	DA	ND1/ NL1/ ND2 NL2	D4	S14	S15	A	VA	Q	P	DB	E3	kg				
83	1020	3800	0	50	117	67	43	83	17	26	0.5	69	52	31	300	52	2LC0330-0A	-0AA0	10
107	2210	3200	0	65	152	87	50	107	20.5	26.5	0.5	76.5	68	34	356	61	2LC0330-1A	-0AA0	16
130	4020	3200	0	82	178	108	62	129.5	20.5	34.5	0.5	96.5	85	42	356	73	2LC0330-2A	-0AA0	16.5
		2800							17.5	31.5		93.5			406	71.5	2LC0330-2A	-0BA0	19.5
156	6600	2800	0	100	213	130	76	156	20	32	0.5	108	110	47	406	87	2LC0330-3A	-0AA0	29
		2500							23	35		111			457	88.5	2LC0330-3A	-0BA0	33
181	11000	2800	0	116	240	153	90	181	20	34	0.5	124	130	58	406	101	2LC0330-4A	-0AA0	38
		2500							23	37		127			457	102.5	2LC0330-4A	-0BA0	42
		2200							23	37		127			514	102.5	2LC0330-4A	-0CA0	46
211	19200	2500	0	137	280	180	105	211	24.5	41.5	0.5	146.5	150	67	457	118.5	2LC0330-5A	-0AA0	58
		2200							24.5	41.5		146.5			514	118.5	2LC0330-5A	-0BA0	63
		1850							24.5	41.5		146.5			610	118.5	2LC0330-5A	-0CA0	71
250	30680	2200	0	164	318	214	120	249.5	24	42	1.0	162	175	72	514	133	2LC0330-6A	-0AA0	77
		1850							24	42		162			610	133	2LC0330-6A	-0BA0	87
		1600							27	45		165			711	134.5	2LC0330-6A	-0CA0	97
		2200	80	178	347	233	135	274	26.5	47.5	1.0	182.5	190	81	514	149.5	2LC0330-7A	-0AA0	97
274	43550	1850							26.5	47.5		182.5			610	149.5	2LC0330-7A	-0BA0	105
		1600							29.5	50.5		185.5			711	151	2LC0330-7A	-0CA0	115
		1400							35.5	56.5		191.5			812	154	2LC0330-7A	-0DA0	130
		1850	90	198	390	260	150	307	27	51	1.0	201	220	91	610	165	2LC0330-8A	-0AA0	140
307	61750	1600							30	54		204			711	166.5	2LC0330-8A	-0BA0	155
		1400							36	60		210			812	169.5	2LC0330-8A	-0CA0	170
		1600	100	216	425.5	283	175	332.5	30	61	1.0	236	250	104	711	191.5	2LC0331-0A	-0AA0	190
333	87100	1400							36	67		242			812	194.5	2LC0331-0A	-0BA0	205
		1400	120	242	457	312	190	364	36	74	1.0	264	265	126	812	209.5	2LC0331-1A	-0AA0	235

Variant:	<ul style="list-style-type: none"> • A • AB 	Q
∅D1:	<ul style="list-style-type: none"> • Without finished bore – Without order codes • With finished bore – With order codes for diameter and tolerance (article number without "-Z") 	R
∅D2:	<ul style="list-style-type: none"> • Without finished bore – Without order codes • With finished bore – With order codes for diameter and tolerance (article number without "-Z") 	1
		9

Q Diameter required for renewing the sealing rings.
 P Length required for renewing the sealing rings, aligning the coupling parts and tightening the set screw.
 Mass moments of inertia on request.
 Weights apply to the entire coupling with maximum bores.

Ordering example:
 ZAPEX ZNBG coupling, size 107, variant A,
 brake disk diameter DB = 356 mm,
 Part 1: Bore 40H7 mm, keyway to DIN 6885-1 P9 and set screw,
 Part 2: Bore 45K7 mm, keyway to DIN 6885-1 P9 and set screw.

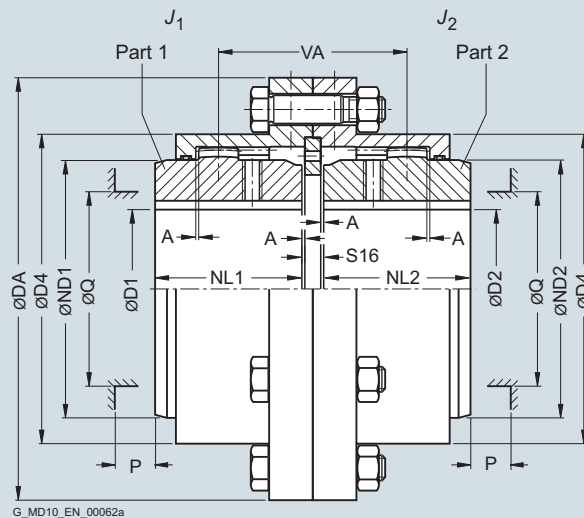
Article No.:
2LC0330-1AQ99-0AA0-Z
LOW+M1A+M13

FLENDER Standard Couplings

Torsionally Rigid Gear Couplings – ZAPEX ZN Series

Type ZNNA

Selection and ordering data



Variants limited in displacement and axial movement. Max. displacement 0.2°.

Size	Rated torque T_{KN} Nm	Maximum speed n_{Kmax} rpm	Dimensions in mm											Mass moment of inertia J1/J2 kgm ²	Article No. Order codes for bore diameters and tolerances are specified in catalog section 3	Weight m kg
			D1, D2 Keyway DIN 6885-1		DA	ND1/ ND2	NL1/ NL2	D4	S16	A	VA	Q	P			
			min.	max.												
83	1020	8500	0	50	117	67	43	83	5	0.5	57	52	31	0.003	2LC0330-0AF ■ ■ ■ -0AA0	3.3
107	2210	7700	0	65	152	87	50	107	6	0.5	62	68	34	0.010	2LC0330-1AF ■ ■ ■ -0AA0	6.7
130	4020	6900	0	82	178	108	62	129.5	6	0.5	82	85	42	0.021	2LC0330-2AF ■ ■ ■ -0AA0	10.5
156	6600	6200	0	100	213	130	76	156	9	0.5	97	110	47	0.050	2LC0330-3AF ■ ■ ■ -0AA0	18
181	11000	5800	0	116	240	153	90	181	9	0.5	113	130	58	0.095	2LC0330-4AF ■ ■ ■ -0AA0	26.5
211	19200	5100	0	137	280	180	105	211	11	0.5	133	150	67	0.22	2LC0330-5AF ■ ■ ■ -0AA0	44
250	30680	4500	0	164	318	214	120	249.5	10	1	148	175	72	0.40	2LC0330-6AF ■ ■ ■ -0AA0	62
274	43550	4000	80	178	347	233	135	274	13	1	169	190	81	0.64	2LC0330-7AF ■ ■ ■ -0AA0	82
307	61750	3750	90	198	390	260	150	307	14	1	188	220	91	1.1	2LC0330-8AF ■ ■ ■ -0AA0	115
333	87100	3550	100	216	425.5	283	175	332.5	14	1	220	250	104	1.8	2LC0331-0AF ■ ■ ■ -0AA0	155
364	117000	3400	120	242	457	312	190	364	14	1	242	265	126	2.4	2LC0331-1AF ■ ■ ■ -0AA0	185
424	162500	3200	150	288	527	371	220	423.5	18	1	271	300	140	4.9	2LC0331-2AF ■ ■ ■ -0AA0	285

ØD1: • Without finished bore – Without order codes

• With finished bore – With order codes for diameter and tolerance (article number without "-Z")

1
9

ØD2: • Without finished bore – Without order codes

• With finished bore – With order codes for diameter and tolerance (article number without "-Z")

1
9

Q Diameter required for renewing the sealing rings.

P Length required for renewing the sealing rings, aligning the coupling parts and tightening the set screw.

Mass moments of inertia apply to a coupling half with maximum bore diameter.

Weights apply to the entire coupling with maximum bores.

Ordering example:

ZAPEX ZNNA coupling, size 107,
Part 1: Bore 40H7 mm, keyway to DIN 6885-1 P9 and set screw,
Part 2: Bore 45K7 mm, keyway to DIN 6885-1 P9 and set screw.

Article number:

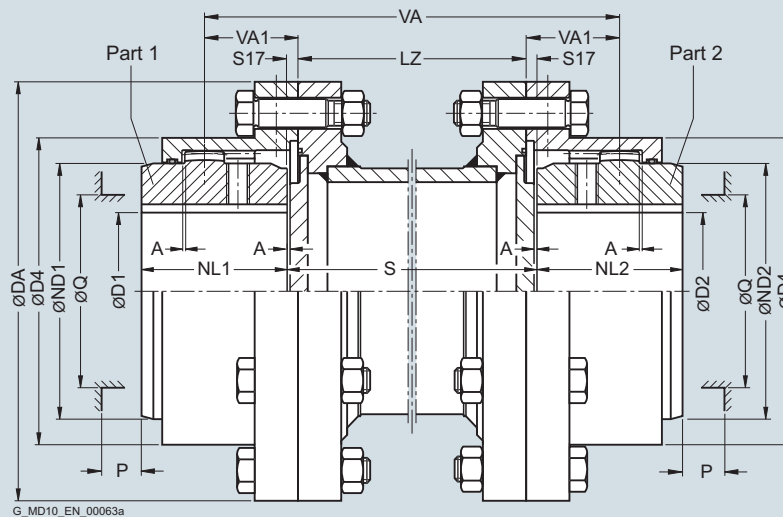
2LC0330-1AF99-0AA0-Z
LOW+M1A+M13

FLENDER Standard Couplings

Torsionally Rigid Gear Couplings – ZAPEX ZN Series

Type ZNZA

Selection and ordering data



Variant limited in displacement and axial movement. Max. displacement 0.2°.

Size	Rated torque T_{KN}	Dimensions in mm											Article No. Plain text required for dimension S Order codes for bore diameters and tolerances are specified in catalog section 3	Weight		
		D1, D2 Keyway DIN 6885-1	DA	ND1/ ND2	NL1/ NL2	D4	S17	A	VA1	Q	P	LZ		<i>m</i>	<i>m</i>	
	Nm	min.	max.										min.	each 100 mm pipe kg	kg	
83	1020	0	50	117	67	43	83	2.5	0.5	28.5	52	31	75	2LC0330-0AG ■ ■ -0AZ0 Q0Y	0.9	5.5
107	2210	0	65	152	87	50	107	3	0.5	31	68	34	85	2LC0330-1AG ■ ■ -0AZ0 Q0Y	0.8	12
130	4020	0	82	178	108	62	129.5	3	0.5	41	85	42	95	2LC0330-2AG ■ ■ -0AZ0 Q0Y	1.2	16
156	6600	0	100	213	130	76	156	4.5	0.5	48.5	110	47	110	2LC0330-3AG ■ ■ -0AZ0 Q0Y	2.3	28
181	11000	0	116	240	153	90	181	4.5	0.5	56.5	130	58	110	2LC0330-4AG ■ ■ -0AZ0 Q0Y	3.5	40
211	19200	0	137	280	180	105	211	5.5	0.5	66.5	150	67	125	2LC0330-5AG ■ ■ -0AZ0 Q0Y	4.5	64
250	30680	0	164	318	214	120	249.5	5	1	74	175	72	125	2LC0330-6AG ■ ■ -0AZ0 Q0Y	6.3	91
274	43550	80	178	347	233	135	274	6.5	1	84.5	190	81	125	2LC0330-7AG ■ ■ -0AZ0 Q0Y	7.2	115
307	61750	90	198	390	260	150	307	7	1	94	220	91	145	2LC0330-8AG ■ ■ -0AZ0 Q0Y	9.1	175
333	87100	100	216	425.5	283	175	332.5	7	1	110	250	104	145	2LC0331-0AG ■ ■ -0AZ0 Q0Y	12	220
364	117000	120	242	457	312	190	364	7	1	121	265	126	145	2LC0331-1AG ■ ■ -0AZ0 Q0Y	15	245
424	162500	150	288	527	371	220	423.5	9	1	135.5	300	140	145	2LC0331-2AG ■ ■ -0AZ0 Q0Y	16	360

∅D1: • Without finished bore – Without order codes

• With finished bore – With order codes for diameter and tolerance (article number without "-Z")

1
9

∅D2: • Without finished bore – Without order codes

• With finished bore – With order codes for diameter and tolerance (article number without "-Z")

1
9

$VA = 2 \cdot VA1 + LZ$

Q Diameter required for renewing the sealing rings.

P Length required for renewing the sealing rings, aligning the coupling parts and tightening the set screw.

Mass moments of inertia on request.

Weights apply to the entire coupling with maximum bores and an adapter length of LZ min.

Maximum speed, limited by weight and critical adapter speed, on request.

Ordering example:

ZAPEX ZNZA coupling, size 107,

adapter for S = 250 mm,

Part 1: Bore 40H7 mm, keyway to DIN 6885-1 P9 and set screw,

Part 2: Bore 45K7 mm, keyway to DIN 6885-1 P9 and set screw.

Article No.:

2LC0330-1AG99-0AZ0-Z

LOW+M1A+Q0Y+M13

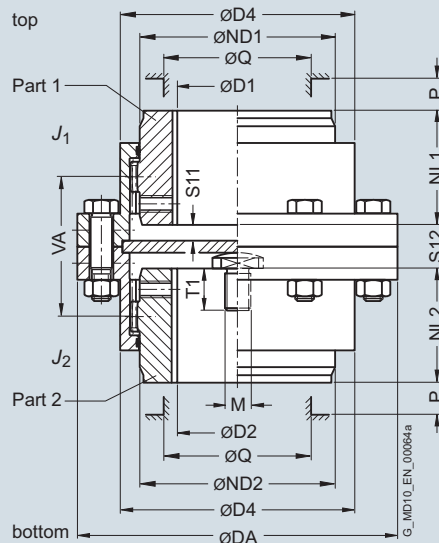
Plain text to Q0Y: **S = 250 mm**

FLENDER Standard Couplings

Torsionally Rigid Gear Couplings – ZAPEX ZN Series

Type ZNNV

Selection and ordering data



When ordering, state thread size M and thread length T1 of the thrust piece.

Size	Rated torque	Maximum speed	Dimensions in mm											Mass moment of inertia J_1/J_2	Article No. Order codes for bore diameters and tolerances are specified in catalog section 3	Weight
	T_{KN}	n_{Kmax}	D1, D2 Keyway DIN 6885-1	DA	ND1/ ND2	NL1/ NL2	D4	S11	S12	VA	Q	P	m			
	Nm	rpm	min.	max.										kgm ²		kg
83	1020	8500	0	50	117	67	43	83	8	21	55	52	31	0.003	2LC0330-0AH ■ ■ -0AA0-Z Y99	3.5
107	2210	7700	0	65	152	87	50	107	4.5	15	59	68	34	0.009	2LC0330-1AH ■ ■ -0AA0-Z Y99	6.6
130	4020	6900	0	82	178	108	62	129.5	12.5	31	79	85	42	0.023	2LC0330-2AH ■ ■ -0AA0-Z Y99	10.5
156	6600	6200	0	100	213	130	76	156	10.5	29	93	110	47	0.055	2LC0330-3AH ■ ■ -0AA0-Z Y99	17
181	11000	5800	0	116	240	153	90	181	12.5	33	109	130	58	0.10	2LC0330-4AH ■ ■ -0AA0-Z Y99	25.5
211	19200	5100	0	137	280	180	105	211	15	40	128	150	67	0.22	2LC0330-5AH ■ ■ -0AA0-Z Y99	40
250	30680	4500	0	164	318	214	120	249.5	17	42	144	175	72	0.37	2LC0330-6AH ■ ■ -0AA0-Z Y99	54
274	43550	4000	80	178	347	233	135	274	19.5	50	164	190	81	0.64	2LC0330-7AH ■ ■ -0AA0-Z Y99	87
307	61750	3750	90	198	390	260	150	307	22	56	182	220	91	1.2	2LC0330-8AH ■ ■ -0AA0-Z Y99	130
333	87100	3550	100	216	425.5	283	175	332.5	29	70	214	250	104	1.8	2LC0331-0AH ■ ■ -0AA0-Z Y99	160
364	117000	3400	120	242	457	312	190	364	36	84	236	265	126	2.6	2LC0331-1AH ■ ■ -0AA0-Z Y99	190
424	162500	3200	150	288	527	371	220	423.5	30	76	263	300	140	5.4	2LC0331-2AH ■ ■ -0AA0-Z Y99	270

ØD1: • Without finished bore – Without order codes

• With finished bore – With order codes for diameter and tolerance (article number without "-Z")

1

9

ØD2: • Without finished bore – Without order codes

• With finished bore – With order codes for diameter and tolerance (article number without "-Z")

1

9

Q Diameter required for renewing the sealing rings.

P Length required for renewing the sealing rings, aligning the coupling parts and tightening the set screw.

Mass moments of inertia apply to a coupling half with maximum bore diameter.

Weights apply to the entire coupling with maximum bores.

Ordering example:

ZAPEX ZNNV coupling, size 107,
Part 1: Bore 40H7 mm, keyway to DIN 6885-1 P9 and set screw,
Part 2: Bore 45K7 mm, keyway to DIN 6885-1 P9 and set screw,
thread M10 x 20 deep.

Article No.:

2LC0330-1AH99-0AA0-Z

LOW +M1A +M13+Y99

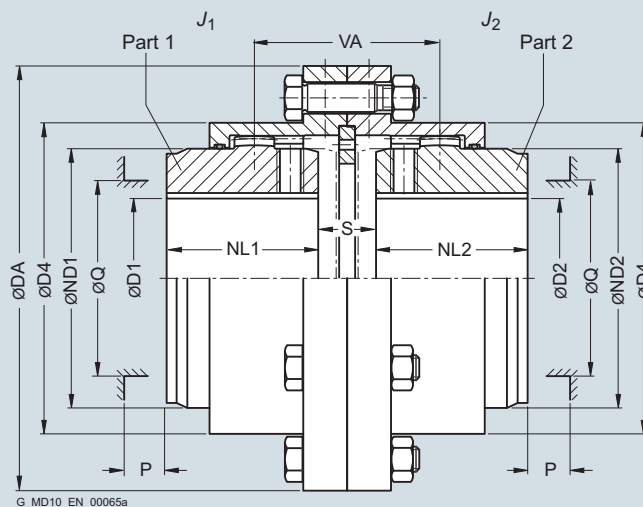
Plain text to Y99: **Thread M10 x 20**

FLENDER Standard Couplings

Torsionally Rigid Gear Couplings – ZAPEX ZN Series

Type ZNN for axial displacement

Selection and ordering data



Size	Rated torque T_{KN} Nm	Maximum speed n_{Kmax} rpm	Dimensions in mm												Mass moment of inertia J_1/J_2 kgm ²	Article No. Order codes for bore diameters and tolerances are specified in catalog section 3	Weight m kg
			D1, D2 Keyway DIN 6885-1		DA	ND1/ ND2	NL1/ NL2	D4	S		VA	Q	P				
			min.	max.					min.	max.							
83	1020	8500	0	50	117	67	43	83	6	21	55	52	31	0.003	2LC0330-0AY ■ ■ ■ -0AA0	3.3	
107	2210	7700	0	65	152	87	50	107	7	15	59	68	34	0.010	2LC0330-1AY ■ ■ ■ -0AA0	6.7	
130	4020	6900	0	82	178	108	62	129.5	16	31	79	85	42	0.021	2LC0330-2AY ■ ■ ■ -0AA0	10.5	
156	6600	6200	0	100	213	130	76	156	11	29	93	110	47	0.050	2LC0330-3AY ■ ■ ■ -0AA0	18	
181	11000	5800	0	116	240	153	90	181	11	33	109	130	58	0.095	2LC0330-4AY ■ ■ ■ -0AA0	26.5	
211	19200	5100	0	137	280	180	105	211	14	40	128	150	67	0.22	2LC0330-5AY ■ ■ ■ -0AA0	44	
250	30680	4500	0	164	318	214	120	249.5	12	42	144	175	72	0.40	2LC0330-6AY ■ ■ ■ -0AA0	62	
274	43550	4000	80	178	347	233	135	274	16	50	164	190	81	0.64	2LC0330-7AY ■ ■ ■ -0AA0	82	
307	61750	3750	90	198	390	260	150	307	17	56	182	220	91	1.1	2LC0330-8AY ■ ■ ■ -0AA0	115	
333	87100	3550	100	216	425.5	283	175	332.5	17	70	214	250	104	1.8	2LC0331-0AY ■ ■ ■ -0AA0	155	
364	117000	3400	120	242	457	312	190	364	17	84	236	265	126	2.4	2LC0331-1AY ■ ■ ■ -0AA0	185	
424	162500	3200	150	288	527	371	220	423.5	23	76	263	300	140	4.9	2LC0331-2AY ■ ■ ■ -0AA0	285	
∅D1:															1		
• Without finished bore – Without order codes																	
• With finished bore – With order codes for diameter and tolerance (article number without "-Z")															9		
∅D2:															1		
• Without finished bore – Without order codes																	
• With finished bore – With order codes for diameter and tolerance (article number without "-Z")															9		

VA Valid at S max.

Q Diameter required for renewing the sealing rings.

P Length required for renewing the sealing rings, aligning the coupling parts and tightening the set screw.

Mass moments of inertia apply to a coupling half with maximum bore diameter.

Weights apply to the entire coupling with maximum bores.

Ordering example:

ZAPEX ZNN coupling for axial displacement, size 107,
S min. = 7 mm, S max. = 15 mm,Part 1: Bore 40H7 mm, keyway to DIN 6885-1 P9 and set screw,
Part 2: Bore 45K7 mm, keyway to DIN 6885-1 P9 and set screw.

Article No.:

2LC0330-0AY99-0AA0-Z
LOW +M1A +M13

FLENDER Standard Couplings

Torsionally Rigid Gear Couplings – ZAPEX ZN Series

Customized hub design for ZAPEX ZN Series

Selection and ordering data

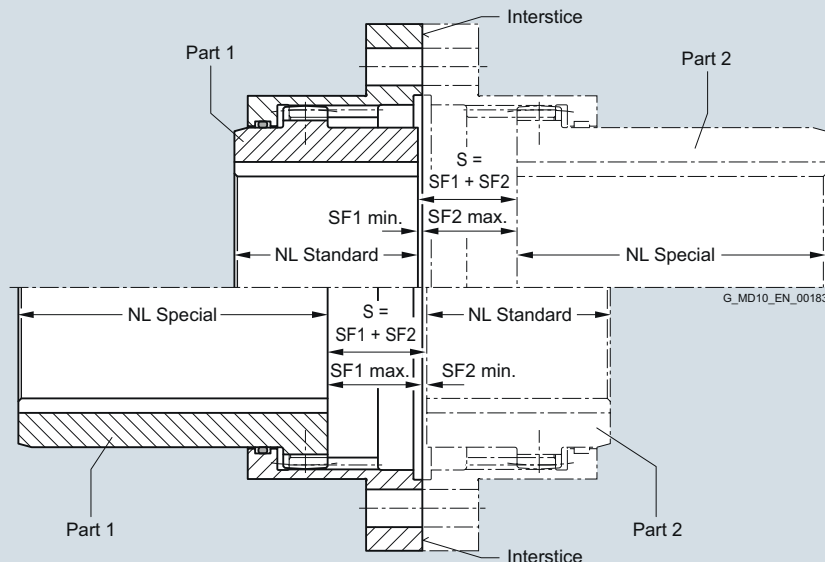
ZAPEX couplings can be provided with customized S-dimensions and hub lengths.

The entire dimension S results from the sum of the individual measurements SF1 and SF2. SF1 and SF2 are the measurements from the interstice of the coupling ring flange up to the beginning of the respective hub. As standard SF1 and SF2 are identical to each other and the entire S-dimension arises in accordance with them.

SF1 and SF2 can be chosen different on customer request, however the minimal and maximum values of the following table have to be observed. Within these limits the measurements SF1 and SF2 may be chosen freely.

The distance VA of the coupling teeth, the permitted bore diameter and the hub diameter remain unchanged.

By stating the hub S-dimension and both hub lengths the coupling is completely described.



Geometric data

Size	Standard hub length NL	Minimal dimension SF1 or SF2	Maximum dimension SF1 or SF2
	Standard mm	min. mm	max. mm
83	43	1.5	22
107	50	1.5	23.5
130	62	1.5	32
156	76	2.5	36.5
181	90	2.5	43.5
211	105	3	51
250	120	3	59
274	135	4	64.5
307	150	4	72
333	175	4	85
364	190	4	92
424	220	5	100

The minimal hub lengths are not to fall below the standard hub lengths.

If there's no other possibility, for hub lengths smaller than standard hub lengths the order codes "Y50" for part 1 and "Y51" for part 2 must be stated in plain text.

Order code for hub prolongations (Y4.); Std-NL = Standard hub length

Part 1		Order code
Selected (special) hub length min.	max.	
> Std-NL	≤ 1.25 · Std-NL	Y40 (specification of hub length in plain text)
> 1.25 · Std-NL	≤ 1.5 · Std-NL	Y42 (specification of hub length in plain text)
> 1.5 · Std-NL	≤ 1.75 · Std-NL	Y44 (specification of hub length in plain text)
> 1.75 · Std-NL	≤ 2 · Std-NL	Y46 (specification of hub length in plain text)
> 2 · Std-NL		Y48 (specification of hub length in plain text)

Article number

The article number of the respective ZAPEX coupling type must be supplemented with "-Z" and order codes for no standard SF-dimensions (order code "Y38" for part 1 and "Y39" for part 2). For no standard hub lengths the order codes "Y40" to "Y49" must be specified (see the table below).

Ordering example:

ZAPEX coupling ZNN 130, variant A

Hub left: bore D1 = 70H7 mm, keyway to DIN 6885-1 P9

and set screw; NL1 = 110 mm; SF1 = 10 mm

Hub right: bore D2 = 75H7 mm, keyway to DIN 6885-1 P9

and set screw; NL2 = 75 mm; SF2 = 25 mm

Article No.:

2LC0330-2AA99-0AA0-Z

L1G M1H Y38 Y39 Y41 Y46

Plain text to **Y38: SF1 = 10 mm**

Plain text to **Y39: SF2 = 25 mm**

Plain text to **Y46: NL1 = 110 mm**

Plain text to **Y41: NL2 = 75 mm**

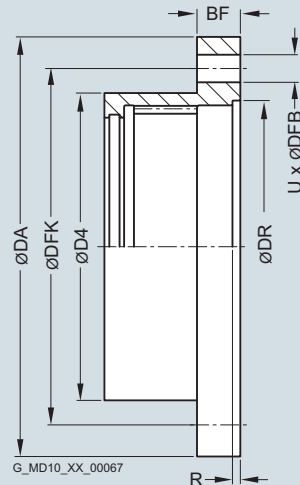
Part 2		Order code
Selected (special) hub length min.	max.	
> Std-NL	≤ 1.25 · Std-NL	Y41 (specification of hub length in plain text)
> 1.25 · Std-NL	≤ 1.5 · Std-NL	Y43 (specification of hub length in plain text)
> 1.5 · Std-NL	≤ 1.75 · Std-NL	Y45 (specification of hub length in plain text)
> 1.75 · Std-NL	≤ 2 · Std-NL	Y47 (specification of hub length in plain text)
> 2 · Std-NL		Y49 (specification of hub length in plain text)

FLENDER Standard Couplings

Torsionally Rigid Gear Couplings – ZAPEX ZN Series

Type ZN – flange connection dimensions

Selection and ordering data



Size	Dimensions in mm							
	DA	BF	D4	DFK	DFB	U Number	DR	R
83	117	14	83	100	9	6	82	2.5
107	152	19	107	131	11	6	105	3
130	178	19	129.5	157	11	8	130	3
156	213	22	156	188	13	6	153	4
181	240	22	181	213	13	10	178	4
211	280	28.5	211	249	17	8	205	5
250	318	28.5	249.5	287	17	10	243	4
274	347	28.5	274	315	17	12	265	5.5
307	390	38	307	352	21	12	302	6
333	425.5	38	332.5	385	21	14	320	6
364	457	26	364	416	21	16	353	6
424	527	28.5	423.5	482	25	16	412	8

FLENDER Standard Couplings

Torsionally Rigid Gear Couplings – ZAPEX ZN Series

Spare and wear parts

Selection and ordering data

Sealing rings

The sealing rings are wear parts and must be replaced in accordance with the operating instructions.

Size	Hub diameter ND1/ND2 mm	Article No.
83	67	2LC0330-0XE00-0AA0
107	87	2LC0330-1XE00-0AA0
130	108	2LC0330-2XE00-0AA0
156	130	2LC0330-3XE00-0AA0
181	153	2LC0330-4XE00-0AA0
211	180	2LC0330-5XE00-0AA0
250	214	2LC0330-6XE00-0AA0
274	233	2LC0330-7XE00-0AA0
307	260	2LC0330-8XE00-0AA0
333	283	2LC0331-0XE00-0AA0
364	312	2LC0331-1XE00-0AA0
424	371	2LC0331-2XE00-0AA0

Siemens high-performance grease (cartridge 300 g)
FFA:000000501027

Sealing compound (tube 60 ml)
FFA:000001443780

Torsionally Rigid All-Steel Couplings ARPEX Series

6



6/2 ARPEX Series - General information

6/2 [Overview](#)

6/2 [Design](#)

6/4 ARPEX ARS-6 Series

6/4 [Overview](#)

6/4 [Benefits](#)

6/4 [Application](#)

6/5 [Design](#)

6/6 [Technical data](#)

6/8 • **Type NEN**

6/8 [Selection and ordering data](#)

6/10 • **Type NUN**

6/10 [Selection and ordering data](#)

6/12 • **Type NON**

6/12 [Selection and ordering data](#)

6/14 • **Type NHN**

6/14 [Selection and ordering data](#)

6/16 • **Type NZN**

6/16 [Selection and ordering data](#)

6/18 • **Type NWN**

6/18 [Selection and ordering data](#)

6/20 Further hubs and flanges

6/20 • **J hub**

6/20 [Selection and ordering data](#)

6/22 • **F flange, D flange, C flange**

6/22 [Selection and ordering data](#)

6/24 • **Clamping hub**

6/24 [Selection and ordering data](#)

6/26 Spare and wear parts

6/26 • **Plate pack ARS-6**

6/26 [Selection and ordering data](#)

6/27 ARPEX ARC-8/-10 Series

6/27 [Overview](#)

6/27 [Benefits](#)

6/27 [Application](#)

6/28 [Design](#)

6/29 [Technical data](#)

6/30 • **Types NEN/NHN**

6/30 [Selection and ordering data](#)

6/32 • **Type BUB**

6/32 [Selection and ordering data](#)

6/34 • **Types MFEFM/MFHFM**

6/34 [Selection and ordering data](#)

6/36 Spare and wear parts

6/36 • **Plate pack ARC-8/-10**

6/36 [Selection and ordering data](#)

6/37 ARPEX ARP-6 Series

6/37 [Overview](#)

6/37 [Benefits](#)

6/37 [Application](#)

6/38 [Design](#)

6/38 [Technical data](#)

6/40 • **Type NAN**

6/40 [Selection and ordering data](#)

6/42 • **Type MCECM**

6/42 [Selection and ordering data](#)

6/45 Spare and wear parts

6/45 • **Plate pack ARP-6**

6/45 [Selection and ordering data](#)

6/46 ARPEX ARW-4/-6 Series

6/46 [Overview](#)

6/46 [Benefits](#)

6/46 [Application](#)

6/46 [Design](#)

6/47 [Technical data](#)

6/48 • **Type NHN**

6/48 [Selection and ordering data](#)

6/50 Spare and wear parts

6/50 • **Plate pack ARW-4/-6**

6/50 [Selection and ordering data](#)

6/51 ARPEX ARF-6 Series

6/51 [Overview](#)

6/51 [Benefits](#)

6/51 [Application](#)

6/51 [Design](#)

6/52 [Technical data](#)

6/53 • **Types GG and GJ**

6/53 [Selection and ordering data](#)

6/54 Spare and wear parts

6/54 • **Plate pack ARF-6**

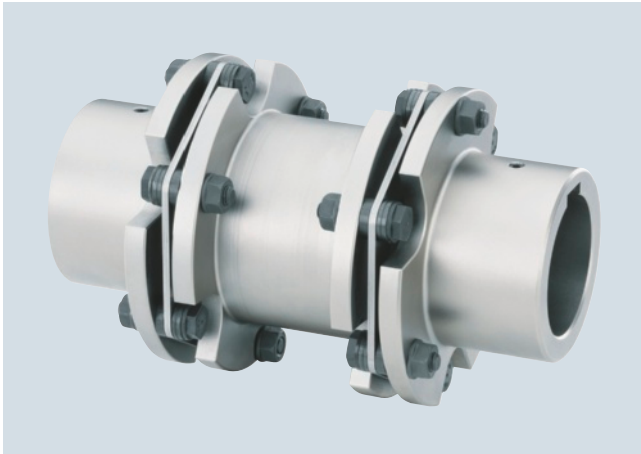
6/54 [Selection and ordering data](#)

FLENDER Standard Couplings

Torsionally Rigid All-Steel Couplings – ARPEX Series

General information

Overview



ARPEX couplings have proved themselves for over 30 years in all areas of technology where reliable, maintenance-free torque transmission is required. ARPEX couplings link machine shafts and compensate for shaft misalignments, while generating only low restorative forces. Thanks to the use of spring steel plates and backlash-free screw connections, ARPEX couplings are torsionally rigid and backlash-free. All ARPEX coupling components are manufactured from high-quality steel. Robust, compact construction guaranteeing a high level of operational reliability and a long service life is therefore possible. High-precision production ensures that at speed in the assembled condition only low forces act on the machine parts connected to them. ARPEX couplings can be used for both directions of rotation and are thus also suitable for reverse operation.

ARPEX couplings are not subject to wear and, if correctly designed, assembled and installed, can be expected to have an unlimited service life. With most types the intermediate spacer can be fitted radially without having to move the driving and driven machines.

Thanks to a large number of standard components ARPEX couplings can be combined to make many different types. In this way, standard types can be used with many drives.

ARPEX couplings can withstand temperatures between -40 °C and $+280\text{ °C}$ in operation. On request, they can also be specially equipped for use in other temperature ranges.



Coupling suitable for use in potentially explosive atmospheres.

Complies with the current ATEX Directive for:

CE ϵ_x II 2G T2/T3/T4/T5/T6
 $-40\text{ °C} \leq T_a \leq +230\text{ °C}/+150\text{ °C}/+85\text{ °C}/+50\text{ °C}/+35\text{ °C}$

CE ϵ_x II 2D T 120 °C $-40\text{ °C} \leq T_a \leq +70\text{ °C}$

CE ϵ_x I M2



To meet the high quality demands made of ARPEX couplings, the development and manufacture of ARPEX couplings is integrated into a certified quality management system in accordance with the requirements of DIN EN ISO 9001.

Type approval for use of ARPEX couplings in shipbuilding has been issued by the following classification societies: American Bureau of Shipping (ABS), Det Norske Veritas (DNV), Germanischer Lloyd (GL) and Lloyd's Register of Shipping. Product certification to GOST-R for the Russian market has already been obtained.

Design

ARPEX couplings are manufactured completely from steel. Torque is transmitted by means of torsionally rigid, flexible plates. The plates are held together by a sleeve and ring to form a compact plate pack. This ensures easy, operationally safe installation. Two plate packs fastened alternately to the flanges permit compensation of shaft misalignments in an angular, radial and axial direction. On coupling types with a single plate pack only angular and axial misalignments are possible.

Materials

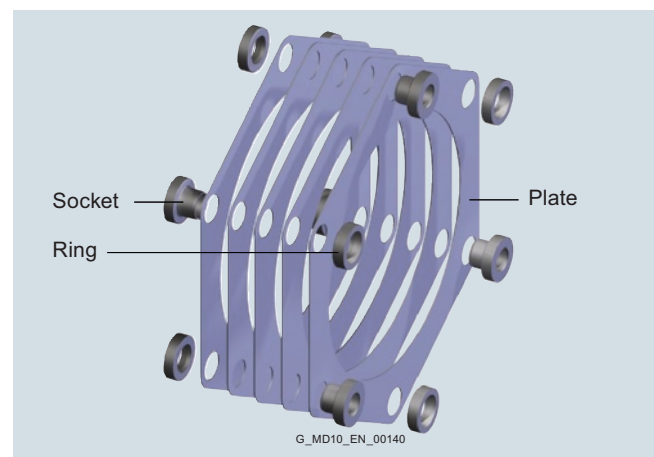
All coupling parts like hubs, spacers and flanges are manufactured from high-grade steel; the plates are made from stainless, hard-rolled CrNi spring steel. Bolts and nuts are of quality 10.9 or 10.

Application

ARPEX couplings are available as a catalog standard from 92 Nm to 1450000 Nm and are divided into various series. Because of this series diversity, ARPEX couplings meet most torque and speed requirements as a universal coupling solution in general mechanical engineering. The individual series and their corresponding possible applications are described in full in the following sections.

Plate pack

The flexible elements in an ARPEX coupling take the form of plate packs. The individual, thin plates are held together by a socket and ring to form a compact plate pack. The picture below shows the structure of a ring plate pack.

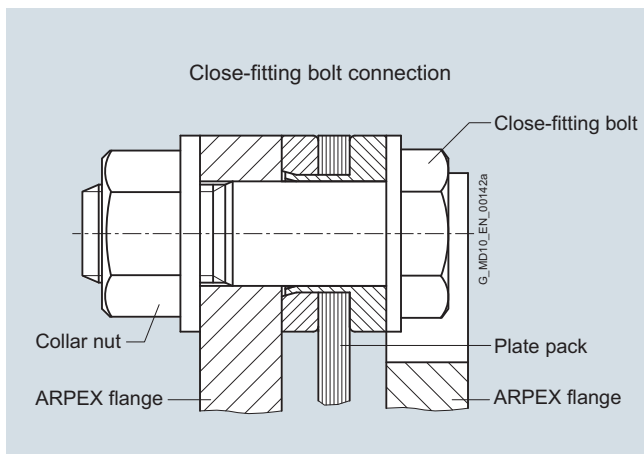
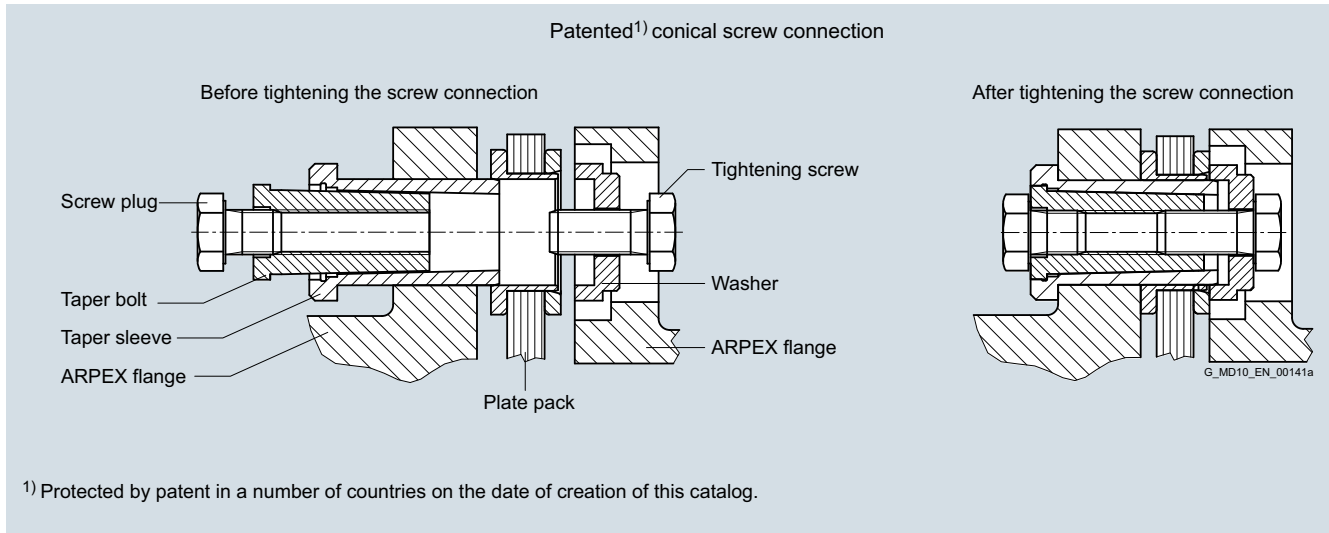


FLENDER Standard Couplings

Torsionally Rigid All-Steel Couplings – ARPEX Series

General information

Plate pack screw connection



Features of plate pack screw connection

Up to bolt size M22, the plate pack screw connection on ARPEX couplings is in the form of a close-fitting bolt connection. After that the patented¹⁾ conical screw connection is used. The decisive advantage of this screw connection is considerably simplified fitting. The use of a hydraulic fitting tool is no longer necessary. All sizes can be fitted with a torque wrench.

A further feature of the conical screw connection is the genuine positive connection resulting in high centering accuracy and, thus, a high balancing quality. Material: High-grade quenched and tempered steel.

The conical screw connection is used for the following coupling sizes:

ARS-6 series:	size 305-6 to 602-6
ARC-8/-10 series:	all sizes
ARP-6 series:	type NAN, size 325-6; type MCECM, size 310 and 345-6
ARW-4/-6 series:	size 324-4 to 880-6

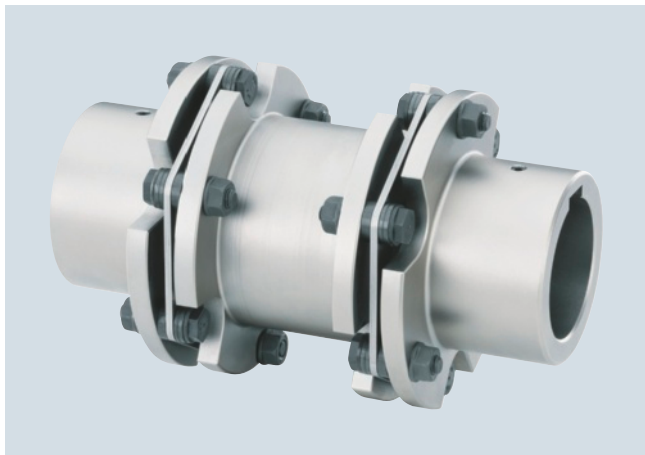
¹⁾ Protected by patent in a number of countries on the date of creation of this catalog.

FLENDER Standard Couplings

Torsionally Rigid All-Steel Couplings – ARPEX ARS-6 Series

General information

Overview



Coupling suitable for use in potentially explosive atmospheres.

Benefits

ARPEX couplings of the ARS-6 series are outstanding for their versatility. Most standard components are available from stock, resulting in short delivery times. Their use in potentially explosive atmospheres in accordance with the current ATEX Directive is possible.

Application

ARPEX couplings of the ARS-6 series are a versatile coupling solution which thanks to standard modular components can be used for most drive requirements at a low to medium speed. Torques of between 170 and 106000 Nm can be transmitted at a permitted angular misalignment of 0.7°. The open flange form is regarded as very easy to fit and has easily accessible screw connection points. On most types, the intermediate spacer can be radially fitted without moving the connected units.

Main areas of application for the ARS-6 series:

- Paper-making machines
- Printing machines
- Compressors
- Pumps
- Fans and blowers
- Film and foil machines
- Generators
- Presses
- Metalworking machines
- Conveyors
- Crane systems
- Textile machines
- Plastics processing machines
- Centrifuges

FLENDER Standard Couplings

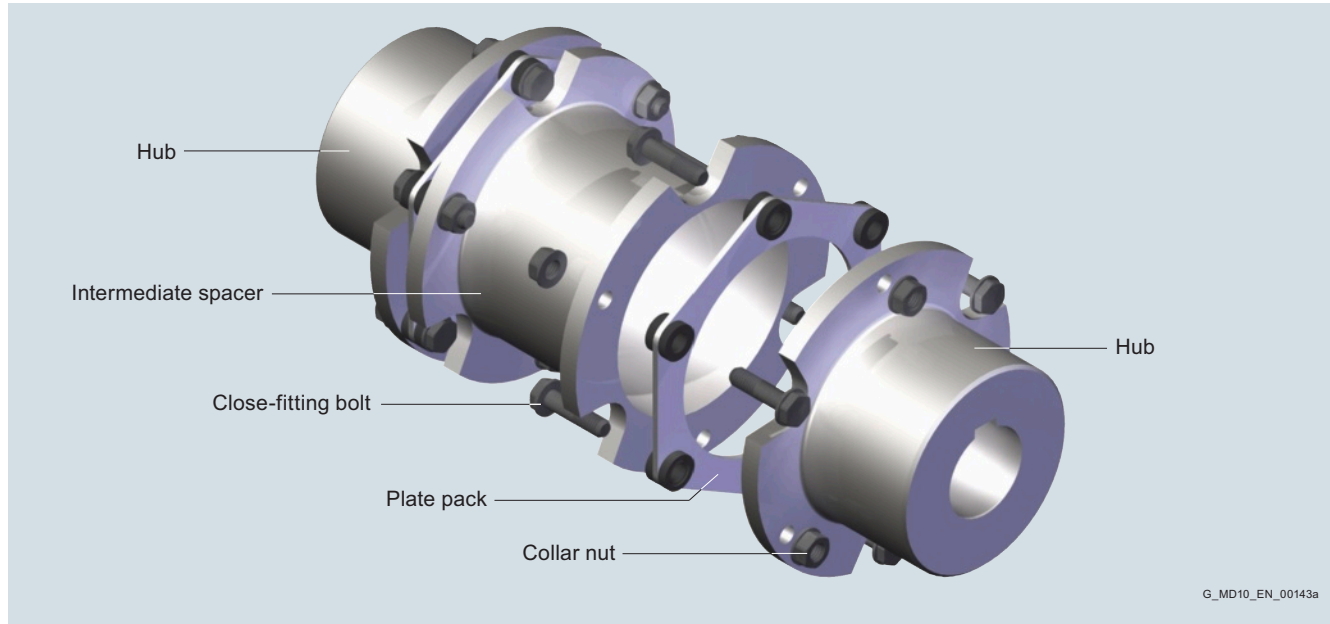
Torsionally Rigid All-Steel Couplings – ARPEX ARS-6 Series

General information

Design

The classic design of an ARPEX couplings of the ARS-6 series is shown in the following illustration. The plate packs are bolted alternately between the flanges of the coupling hubs and the intermediate spacer. Up to size 280-6 close-fitting bolts and from size

305-6 conical screw connections are used for fastening. A large number of intermediate spacer and shafts, hubs and flanges can be combined and thus cover a large number of possible drive requirements.



Design of an ARPEX coupling, ARS-6 series, type NEN

Variants of the ARPEX coupling, ARS-6 series

Types	
NEN, BEN, BEB	Variant with standard intermediate spacer, many sizes available from stock
NON, BON	Variant with shortest intermediate spacer
NUN, BUN, BUB	Variant with split intermediate spacer
NHN	Variant with intermediate spacer for customer-specific shaft distance
NZN	Variant with reinforced intermediate spacer
NWN	Variant with intermediate shaft

All coupling types can be very easily combined with further standard components in the ARPEX modular system. Jumbo hubs are used to permit larger maximum bores.

Clamping hubs transmit torque by friction without the use of parallel keys.

F, D and C flanges offer many different possibilities for flange connection.

The coupling parts of the ARPEX ARS-6 series are machined on all sides. Exceptions are H and Z spacers and intermediate shafts. The spacers are delivered with unmachined, primed spacer tube.

Higher torques and maximum speeds with similar coupling outer diameters DA can be achieved with the ARPEX ARC-8/-10 series.

Further application-specific coupling types are available in selection module **X.CAT NG** at www.siemens.com/couplings. Dimension sheets and further information are available on request.

FLENDER Standard Couplings

Torsionally Rigid All-Steel Couplings – ARPEX ARS-6 Series

General information

Technical data

Power ratings

Size	Rated torque T_{KN}	Maximum torque T_{Kmax}	Overload torque T_{KOL}	Fatigue torque T_{KW}	Maximum speed n_{Kmax}	Maximum permitted shaft misalignment			Torsional stiffness												
						$\pm\Delta K_a$	$\pm\Delta K_w$	$\pm\Delta K_r$	C_{Tdyn}			NHN	NZN	NWN							
DA									NHN NZN NWN	NEN BEB/NUN BUN/BUB	NON BON				NEN BEN/BEB	NUN BUN/BUB	NON BON	MNm/rad	MNm/rad	MNm/rad	MNm/rad
	Nm	Nm	Nm	Nm	rpm	mm	mm	mm	mm	mm	mm	mm	mm	mm	mm	MNm/rad	MNm/rad	MNm/rad	MNm/rad	MNm/rad	MNm/rad
78-6	170	320	510	85	13400	1.10	0.7°	12.1	0.57	0.53	0.05	0.04	0.05	0.012	0.032	0.05					
105-6	270	510	810	135	10000	1.80		12.1	0.88	0.53	0.09	0.09	0.09	0.024	0.070	0.09					
125-6	490	930	1470	245	8400	2.02		12.1	1.04	0.68	0.17	0.17	0.18	0.043	0.141	0.19					
140-6	700	1330	2100	350	7500	2.40		12.1	1.28	0.72	0.22	0.22	0.24	0.066	0.203	0.25					
165-6	1250	2370	3750	625	6350	2.74		12.0	1.49	0.84	0.33	0.34	0.36	0.114	0.317	0.39					
175-6	2000	3800	6000	1000	6000	2.86		12.0	1.55	0.98	0.48	0.50	0.52	0.196	0.443	0.57					
195-6	3000	5700	9000	1500	5350	3.06		12.0	1.55	0.98	0.67	0.69	0.73	0.302	0.614	0.79					
210-6	4400	8300	13200	2200	5000	3.14		12.0	1.77	1.10	0.77	0.78	0.82	0.352	0.669	0.88					
240-6	5700	10800	17100	2850	4350	3.70		12.0	1.93	1.20	1.24	1.26	1.32	0.568	1.04	1.40					
255-6	7600	14400	22800	3800	4100	3.84		11.9	2.09	1.50	1.39	1.42	1.46	0.697	1.22	1.57					
280-6	10000	19000	30000	4600	3750	4.18		11.9	2.53	1.53	1.55	1.57	1.65	0.881	1.42	1.73					
305-6	12000	21000	36000	5000	3400	4.46		11.9	2.72	1.80	2.83	2.87	3.05	1.51	2.71	3.32					
335-6	18000	32000	54000	7500	3100	4.84		11.9	2.88	1.89	3.85	3.92	4.14	2.11	3.62	4.49					
372-6	24000	43000	72000	10000	2800	4.98		11.8	3.03	2.16	5.72	5.84	6.12	3.14	–	6.75					
407-6	34000	61000	102000	14000	2550	5.50		11.8	3.31	2.26	7.25	7.42	7.79	5.06	–	8.51					
442-6	43000	77000	129000	18000	2350	6.02		11.8	3.59	2.48	10.0	10.2	10.8	7.42	–	11.9					
487-6	55000	99000	165000	23000	2150	6.80		11.7	4.09	2.64	11.7	11.9	12.7	9.25	–	13.6					
522-6	69000	124000	207000	29000	2000	7.34		11.7	4.35	2.86	14.0	14.3	15.1	11.4	–	16.2					
572-6	92000	166000	276000	38000	1800	7.86		11.6	4.87	3.02	17.9	18.3	19.4	15.2	–	20.7					
602-6	106000	191000	318000	44000	1700	8.24		11.6	5.13	3.24	21.1	21.7	22.9	18.2	–	24.5					

The permitted shaft misalignments ΔK_a , ΔK_r and ΔK_w are maximum values and must not occur at the same time (see following table).

The permitted shaft misalignment ΔK_r for types NHN, NZN and NWN applies to a coupling with shaft distance $S = 1000$ mm.

For other shaft distances, the permitted radial misalignment can be determined with the following formula:

$$\Delta K_r = (S - S1) \cdot \tan(\Delta K_w)$$

The shaft distance S is shown in the table for the type.

T_{Kmax} permitted only five times per hour.

The values for torsional stiffness apply to the complete coupling. In the case of types NHN and NZN to a coupling with shaft distance $S = 1000$ mm. In the case of type NWN, the torsional stiffness applies to a coupling without intermediate or torsion shaft. The torsional stiffness of the plate packs applies to the rated coupling torque T_{KN} . To determine the torsional stiffness for a specific operating point, e.g. for calculating torsional vibration, the manufacturer must be consulted.

FLENDER Standard Couplings

Torsionally Rigid All-Steel Couplings – ARPEX ARS-6 Series

General information

Permitted shaft misalignments

Size	Permitted angular misalignment $\pm\Delta K_w$								
	0.0°	0.1°	0.2°	0.3°	0.4°	0.5°	0.6°	0.7°	
DA	Permitted axial misalignment $\pm\Delta K_a$ in mm								
78-6	1.10	0.94	0.79	0.63	0.47	0.31	0.16	0.00	
105-6	1.80	1.54	1.29	1.03	0.77	0.51	0.26	0.00	
125-6	2.02	1.73	1.44	1.15	0.87	0.58	0.29	0.00	
140-6	2.40	2.06	1.71	1.37	1.03	0.69	0.34	0.00	
165-6	2.74	2.35	1.96	1.57	1.17	0.78	0.39	0.00	
175-6	2.86	2.45	2.04	1.63	1.23	0.82	0.41	0.00	
195-6	3.06	2.62	2.19	1.75	1.31	0.87	0.44	0.00	
210-6	3.14	2.69	2.24	1.79	1.35	0.90	0.45	0.00	
240-6	3.70	3.17	2.64	2.11	1.59	1.06	0.53	0.00	
255-6	3.84	3.29	2.74	2.19	1.65	1.10	0.55	0.00	
280-6	4.18	3.58	2.99	2.39	1.79	1.19	0.60	0.00	
305-6	4.46	3.82	3.19	2.55	1.91	1.27	0.64	0.00	
335-6	4.84	4.15	3.46	2.77	2.07	1.38	0.69	0.00	
372-6	4.98	4.27	3.56	2.85	2.13	1.42	0.71	0.00	
407-6	5.50	4.71	3.93	3.14	2.36	1.57	0.79	0.00	
442-6	6.02	5.16	4.30	3.44	2.58	1.72	0.86	0.00	
487-6	6.80	5.83	4.86	3.89	2.91	1.94	0.97	0.00	
522-6	7.34	6.29	5.24	4.19	3.15	2.10	1.05	0.00	
572-6	7.86	6.74	5.61	4.49	3.37	2.25	1.12	0.00	
602-6	8.24	7.06	5.89	4.71	3.53	2.35	1.18	0.00	

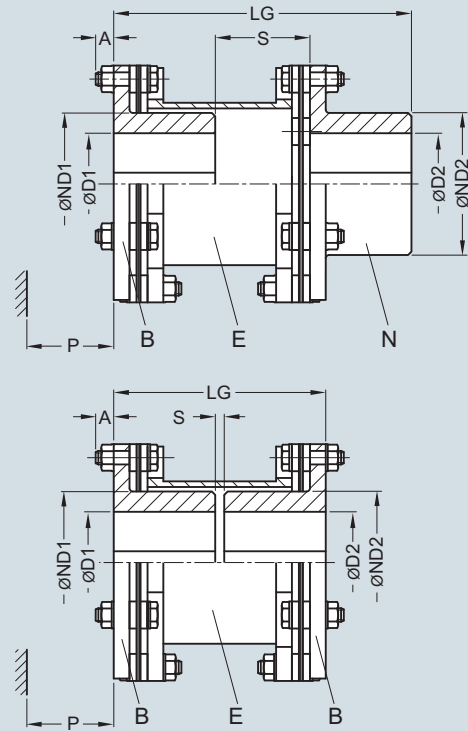
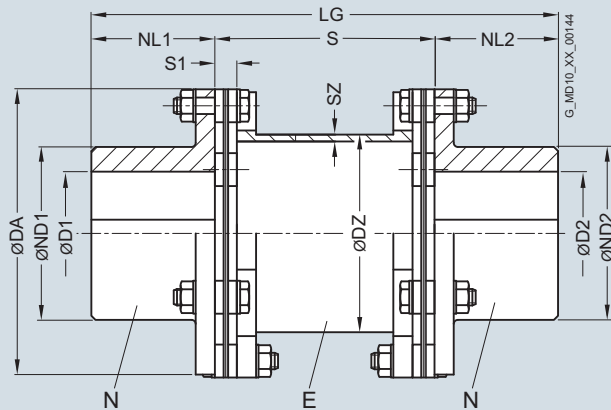
FLENDER Standard Couplings

Torsionally Rigid All-Steel Couplings – ARPEX ARS-6 Series

Type NEN

Selection and ordering data

Torsionally rigid coupling type NEN with radially freely dismountable intermediate spacer. Types BEN and BEB cannot be dismounted radially without moving the units. On type BEB, the smallest possible shaft distance can be achieved.



Size	Rated torque	Maximum speed	Type	Dimensions in mm								Shaft distance	Mass moment of inertia	Article No.	Weight			
DA	T_{KN}	n_{Kmax}		D1, D2	ND1	ND2	DZ	SZ	NL1/ S1	NL2	S	A	P	LG	J	Order codes for bore diameters and tolerances are specified in catalog section 3	m	
mm	Nm	rpm		max. max.											kgm ²		kg	
78-6	170	13400	NEN	28	28	39	39	45	2.5	30	8	55	–	–	115	0.001	2LC0470-0NS ■ ■ ■ -0AA0	1.2
			BEN									32	8	29	92		2LC0470-0AK ■ ■ ■ -0AA0	
			BEB									9	–	–	69		2LC0470-0AC ■ ■ ■ -0AA0	
105-6	270	10000	NEN	45	45	63	63	72	2.5	45	8	80	–	–	170	0.003	2LC0470-1NS ■ ■ ■ -0AA0	2.5
			BEN									42	8	29	132		2LC0470-1AK ■ ■ ■ -0AA0	
			BEB									4	–	–	94		2LC0470-1AC ■ ■ ■ -0AA0	
125-6	490	8400	NEN	55	55	76	76	84	2.5	55	11	96	–	–	206	0.009	2LC0470-2NS ■ ■ ■ -0AA0	4.5
			BEN									50	10	37	160		2LC0470-2AK ■ ■ ■ -0AA0	
			BEB									4	–	–	114		2LC0470-2AC ■ ■ ■ -0AA0	
140-6	700	7500	NEN	65	65	91	91	99	2.5	65	11	116	–	–	246	0.015	2LC0470-3NS ■ ■ ■ -0AA0	6.4
			BEN									60	10	37	190		2LC0470-3AK ■ ■ ■ -0AA0	
			BEB									4	–	–	134		2LC0470-3AC ■ ■ ■ -0AA0	
165-6	1250	6350	NEN	75	75	105	105	114	2.5	75	14	136	–	–	286	0.032	2LC0470-4NS ■ ■ ■ -0AA0	9.7
			BEN									70	12	45	220		2LC0470-4AK ■ ■ ■ -0AA0	
			BEB									4	–	–	154		2LC0470-4AC ■ ■ ■ -0AA0	
175-6	2000	6000	NEN	80	80	110	110	120	3.0	80	15	142	–	–	302	0.048	2LC0470-5NS ■ ■ ■ -0AA0	12.5
			BEN									74	15	52	234		2LC0470-5AK ■ ■ ■ -0AA0	
			BEB									6	–	–	166		2LC0470-5AC ■ ■ ■ -0AA0	
195-6	3000	5350	NEN	90	90	120	120	131	3.0	80	15	142	–	–	302	0.073	2LC0470-6NS ■ ■ ■ -0AA0	14.9
			BEN									74	14	52	234		2LC0470-6AK ■ ■ ■ -0AA0	
			BEB									6	–	–	166		2LC0470-6AC ■ ■ ■ -0AA0	

FLENDER Standard Couplings

Torsionally Rigid All-Steel Couplings – ARPEX ARS-6 Series

Type NEN

Size	Rated torque	Maximum speed	Type	Dimensions in mm										Mass moment of inertia	Article No. Order codes for bore diameters and tolerances are specified in catalog section 3	Weight			
				D1, D2	ND1	ND2	DZ	SZ	NL1/ NL2	S1	S	A	P				LG	J	m
mm	Nm	rpm		max.	max.											kgm ²	kg		
210-6	4400	5000	NEN	95	95	126	126	139	4.0	90	15	160	-	-	340	0.109	2LC0470-7NS	■ ■ ■ -0AA0	19.5
			BEN									83	20	61	263		2LC0470-7AK	■ ■ ■ -0AA0	
			BEB									6			186		2LC0470-7AC	■ ■ ■ -0AA0	
240-6	5700	4350	NEN	110	110	145	145	162	5.0	100	18	176	-	-	376	0.210	2LC0470-8NS	■ ■ ■ -0AA0	28.4
			BEN									91	18	66	291		2LC0470-8AK	■ ■ ■ -0AA0	
			BEB									6			206		2LC0470-8AC	■ ■ ■ -0AA0	
255-6	7600	4100	NEN	115	115	154	154	170	5.0	110	23	194	-	-	414	0.315	2LC0471-0NS	■ ■ ■ -0AA0	37.5
			BEN									102	24	81	322		2LC0471-0AK	■ ■ ■ -0AA0	
			BEB									10			230		2LC0471-0AC	■ ■ ■ -0AA0	
280-6	10000	3750	NEN	135	135	184	184	186	6.0	130	25	232	-	-	492	0.542	2LC0471-1NS	■ ■ ■ -0AA0	54.5
			BEN	120	135	161	184					121	22	83	381	0.514	2LC0471-1AK	■ ■ ■ -0AA0	52.1
			BEB	120	120	161	161					10			270	0.486	2LC0471-1AC	■ ■ ■ -0AA0	49.7
305-6	12000	3400	NEN	145	145	198	198	200	6.5	140	27	250	-	-	530	0.762	2LC0471-2NS	■ ■ ■ -0AA0	66.4
			BEN	130	145	175	198					130	13	61	410	0.724	2LC0471-2AK	■ ■ ■ -0AA0	63.6
			BEB	130	130	175	175					10			290	0.685	2LC0471-2AC	■ ■ ■ -0AA0	60.9
335-6	18000	3100	NEN	160	160	214	214	218	7.5	150	30	266	-	-	566	1.18	2LC0471-3NS	■ ■ ■ -0AA0	84.2
			BEN	140	160	190	214					138	15	69	438	1.13	2LC0471-3AK	■ ■ ■ -0AA0	82.1
			BEB	140	140	190	190					10			310	1.08	2LC0471-3AC	■ ■ ■ -0AA0	80.0
372-6	24000	2800	NEN	165	165	225	225	228	9.5	160	32	280	-	-	600	1.93	2LC0471-4NS	■ ■ ■ -0AA0	116
			BEN	145	165	200	225					145	16	76	465	1.87	2LC0471-4AK	■ ■ ■ -0AA0	113
			BEB	145	145	200	200					10			330	1.80	2LC0471-4AC	■ ■ ■ -0AA0	110
407-6	34000	2550	NEN	185	185	250	250	245	11.0	175	35	306	-	-	656	3.06	2LC0471-5NS	■ ■ ■ -0AA0	152
			BEN	145	185	205	250					158	19	83	508	2.91	2LC0471-5AK	■ ■ ■ -0AA0	148
			BEB	145	145	205	205					10			360	2.76	2LC0471-5AC	■ ■ ■ -0AA0	144
442-6	43000	2350	NEN	200	200	270	270	273	11.0	190	38	332	-	-	712	4.58	2LC0471-6NS	■ ■ ■ -0AA0	192
			BEN	170	200	230	270					172	20	92	552	4.38	2LC0471-6AK	■ ■ ■ -0AA0	185
			BEB	170	170	230	230					12			392	4.18	2LC0471-6AC	■ ■ ■ -0AA0	178
487-6	55000	2150	NEN	225	225	305	305	298	13.0	215	41	376	-	-	806	7.73	2LC0471-7NS	■ ■ ■ -0AA0	268
			BEN	180	225	250	305					194	23	100	624	7.32	2LC0471-7AK	■ ■ ■ -0AA0	258
			BEB	180	180	250	250					12			442	6.91	2LC0471-7AC	■ ■ ■ -0AA0	248
522-6	69000	2000	NEN	240	240	325	325	324	13.0	230	44	400	-	-	860	10.7	2LC0471-8NS	■ ■ ■ -0AA0	323
			BEN	200	240	275	325					206	23	107	666	10.2	2LC0471-8AK	■ ■ ■ -0AA0	312
			BEB	200	200	275	275					12			472	9.72	2LC0471-8AC	■ ■ ■ -0AA0	301
572-6	92000	1800	NEN	265	265	360	360	356	15.0	255	47	446	-	-	956	17.1	2LC0472-0NS	■ ■ ■ -0AA0	431
			BEN	220	265	300	360					229	24	114	739	16.2	2LC0472-0AK	■ ■ ■ -0AA0	413
			BEB	220	220	300	300					12			522	15.2	2LC0472-0AC	■ ■ ■ -0AA0	394
602-6	106000	1700	NEN	280	280	380	380	368	16.0	270	50	470	-	-	1010	22.6	2LC0472-1NS	■ ■ ■ -0AA0	514
			BEN	225	280	310	380					241	26	123	781	21.3	2LC0472-1AK	■ ■ ■ -0AA0	492
			BEB	225	225	310	310					12			552	20.0	2LC0472-1AC	■ ■ ■ -0AA0	470

∅D1: • Without finished bore – Without order codes

• With finished bore – With order codes for diameter and tolerance (article number without "-Z")

1
9

∅D2: • Without finished bore – Without order codes

• With finished bore – With order codes for diameter and tolerance (article number without "-Z")

1
9

Torsionally rigid ARPEX couplings up to size 240-6 available from stock.

For simplified fitting on B hubs, plate packs from size 280-6 available with closing element.

Weights and mass moments of inertia apply to the entire coupling with maximum bores D1/D2.

Ordering example:

ARPEX ARS-6 NEN coupling, size 105-6, bore ∅D1 40H7 mm, with keyway to DIN 6885 and set screw, bore ∅D2 45K7 mm, with keyway to DIN 6885 and set screw.

Article No.:

**2LC0470-1NS99-0AA0-Z
LOW+M1A+M13**

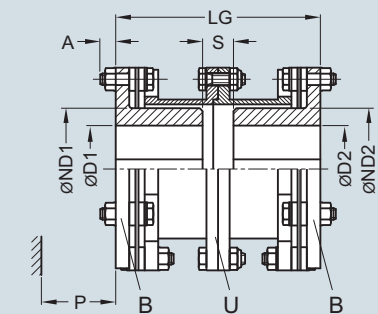
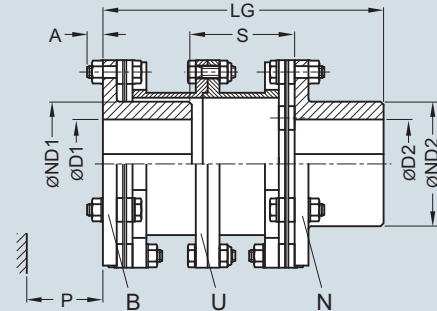
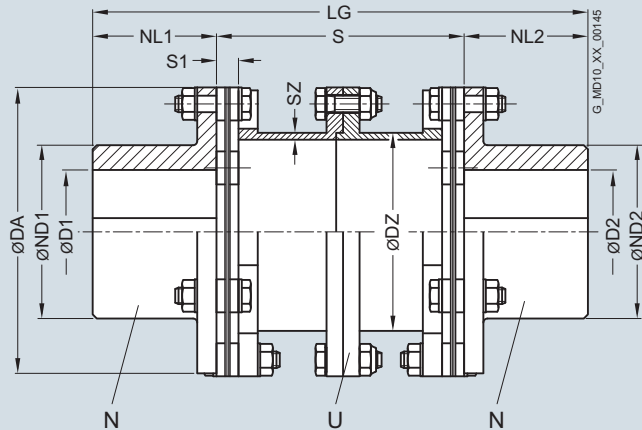
FLENDER Standard Couplings

Torsionally Rigid All-Steel Couplings – ARPEX ARS-6 Series

Type NUN

Selection and ordering data

Torsionally rigid coupling type NUN with radially freely dismountable intermediate spacer. Types BUN and BUB cannot be radially dismounted without moving the units. On type BUB, the smallest possible shaft distance can be achieved.



Size	Rated torque	Maximum speed	Type	Dimensions in mm								Shaft distance				Mass moment of inertia	Article No. Order codes for bore diameters and tolerances are specified in catalog section 3	Weight
DA	T_{KN}	n_{kmax}		D1, D2	ND1	ND2	DZ	SZ	NL1/ NL2	S	A	P	LG	J				
mm	Nm	rpm		max. max.										kgm ²		m		
78-6	170	13400	NUN	28	28	39	39	45	2.5	30	8	–	–	144	0.001	2LC0470-0NW ■ ■ -0AA0	1.5	
			BUN								61	8	29	121		2LC0470-0BD ■ ■ -0AA0		
			BUB								38			98		2LC0470-0AT ■ ■ -0AA0		
105-6	270	10000	NUN	45	45	63	63	72	2.5	45	8	–	–	180	0.004	2LC0470-1NW ■ ■ -0AA0	2.9	
			BUN								52	8	29	142		2LC0470-1BD ■ ■ -0AA0		
			BUB								14			104		2LC0470-1AT ■ ■ -0AA0		
125-6	490	8400	NUN	55	55	76	76	84	2.5	55	11	–	–	226	0.011	2LC0470-2NW ■ ■ -0AA0	5.3	
			BUN								70	10	37	180		2LC0470-2BD ■ ■ -0AA0		
			BUB								24			134		2LC0470-2AT ■ ■ -0AA0		
140-6	700	7500	NUN	65	65	91	91	99	2.5	65	11	–	–	246	0.019	2LC0470-3NW ■ ■ -0AA0	7.2	
			BUN								60	10	37	190		2LC0470-3BD ■ ■ -0AA0		
			BUB								4			134		2LC0470-3AT ■ ■ -0AA0		
165-6	1250	6350	NUN	75	75	105	105	114	2.5	75	14	–	–	286	0.038	2LC0470-4NW ■ ■ -0AA0	10.9	
			BUN								70	12	45	220		2LC0470-4BD ■ ■ -0AA0		
			BUB								4			154		2LC0470-4AT ■ ■ -0AA0		
175-6	2000	6000	NUN	80	80	110	110	120	3.0	80	15	–	–	302	0.057	2LC0470-5NW ■ ■ -0AA0	14.1	
			BUN								74	15	52	234		2LC0470-5BD ■ ■ -0AA0		
			BUB								6			166		2LC0470-5AT ■ ■ -0AA0		
195-6	3000	5350	NUN	90	90	120	120	131	3.0	80	15	–	–	302	0.085	2LC0470-6NW ■ ■ -0AA0	16.8	
			BUN								74	14	52	234		2LC0470-6BD ■ ■ -0AA0		
			BUB								6			166		2LC0470-6AT ■ ■ -0AA0		

FLENDER Standard Couplings

Torsionally Rigid All-Steel Couplings – ARPEX ARS-6 Series

Type NUN

Size	Rated torque	Maximum speed	Type	Dimensions in mm											Mass moment of inertia	Article No. Order codes for bore diameters and tolerances are specified in catalog section 3	Weight		
				D1, D2 Keyway DIN 6885 max. max.	ND1	ND2	DZ	SZ	NL1/ NL2	S1	S	A	P	LG				J	
mm	Nm	rpm														kgm ²		kg	
210-6	4400	5000	NUN	95	95	126	126	139	4.0	90	15	160	–	–	340	0.128	2LC0470-7NW ■ ■ ■ -0AA0	21.9	
			BUN										83	20	61	263	2LC0470-7BD ■ ■ ■ -0AA0		
			BUB										6			186	2LC0470-7AT ■ ■ ■ -0AA0		
240-6	5700	4350	NUN	110	110	145	145	162	5.0	100	18	176	–	–	376	0.242	2LC0470-8NW ■ ■ ■ -0AA0	31.5	
			BUN										91	18	66	291	2LC0470-8BD ■ ■ ■ -0AA0		
			BUB										6			206	2LC0470-8AT ■ ■ ■ -0AA0		
255-6	7600	4100	NUN	115	115	154	154	170	5.0	110	23	194	–	–	414	0.363	2LC0471-0NW ■ ■ ■ -0AA0	41.6	
			BUN										102	24	81	322	2LC0471-0BD ■ ■ ■ -0AA0		
			BUB										10			230	2LC0471-0AT ■ ■ ■ -0AA0		
280-6	10000	3750	NUN	135	135	184	184	186	6.0	130	25	232	–	–	492	0.611	2LC0471-1NW ■ ■ ■ -0AA0	59.4	
			BUN	120	135	161	184						121	22	83	381	0.583	2LC0471-1BD ■ ■ ■ -0AA0	57.0
			BUB	120	120	161	161						10			270	0.555	2LC0471-1AT ■ ■ ■ -0AA0	54.6
305-6	12000	3400	NUN	145	145	198	198	200	6.5	140	27	250	–	–	530	0.861	2LC0471-2NW ■ ■ ■ -0AA0	72.4	
			BUN	130	145	175	198						130	13	61	410	0.823	2LC0471-2BD ■ ■ ■ -0AA0	69.6
			BUB	130	130	175	175						10			290	0.784	2LC0471-2AT ■ ■ ■ -0AA0	66.8
335-6	18000	3100	NUN	160	160	214	214	218	7.5	150	30	266	–	–	566	1.35	2LC0471-3NW ■ ■ ■ -0AA0	93.1	
			BUN	140	160	190	214						138	15	69	438	1.31	2LC0471-3BD ■ ■ ■ -0AA0	91.0
			BUB	140	140	190	190						10			310	1.26	2LC0471-3AT ■ ■ ■ -0AA0	88.9
372-6	24000	2800	NUN	165	165	225	225	228	9.5	160	32	280	–	–	600	2.21	2LC0471-4NW ■ ■ ■ -0AA0	127	
			BUN	145	165	200	225						145	16	76	465	2.15	2LC0471-4BD ■ ■ ■ -0AA0	125
			BUB	145	145	200	200						10			330	2.09	2LC0471-4AT ■ ■ ■ -0AA0	122
407-6	34000	2550	NUN	185	185	250	250	245	11.0	175	35	306	–	–	656	3.55	2LC0471-5NW ■ ■ ■ -0AA0	170	
			BUN	145	185	205	250						158	19	83	508	3.40	2LC0471-5BD ■ ■ ■ -0AA0	166
			BUB	145	145	205	205						10			360	3.25	2LC0471-5AT ■ ■ ■ -0AA0	161
442-6	43000	2350	NUN	200	200	270	270	273	11.0	190	38	332	–	–	712	5.29	2LC0471-6NW ■ ■ ■ -0AA0	213	
			BUN	170	200	230	270						172	20	92	552	5.09	2LC0471-6BD ■ ■ ■ -0AA0	206
			BUB	170	170	230	230						12			392	4.89	2LC0471-6AT ■ ■ ■ -0AA0	200
487-6	55000	2150	NUN	225	225	305	305	298	13.0	215	41	376	–	–	806	8.79	2LC0471-7NW ■ ■ ■ -0AA0	294	
			BUN	180	225	250	305						194	23	100	624	8.38	2LC0471-7BD ■ ■ ■ -0AA0	284
			BUB	180	180	250	250						12			442	7.96	2LC0471-7AT ■ ■ ■ -0AA0	274
522-6	69000	2000	NUN	240	240	325	325	324	13.0	230	44	400	–	–	860	12.5	2LC0471-8NW ■ ■ ■ -0AA0	361	
			BUN	200	240	275	325						206	23	107	666	12.0	2LC0471-8BD ■ ■ ■ -0AA0	350
			BUB	200	200	275	275						12			472	11.5	2LC0471-8AT ■ ■ ■ -0AA0	339
572-6	92000	1800	NUN	265	265	360	360	356	15.0	255	47	446	–	–	956	19.7	2LC0472-0NW ■ ■ ■ -0AA0	477	
			BUN	220	265	300	360						229	24	114	739	18.7	2LC0472-0BD ■ ■ ■ -0AA0	458
			BUB	220	220	300	300						12			522	17.8	2LC0472-0AT ■ ■ ■ -0AA0	439
602-6	106000	1700	NUN	280	280	380	380	368	16.0	270	50	470	–	–	1010	26.9	2LC0472-1NW ■ ■ ■ -0AA0	584	
			BUN	225	280	310	380						241	26	123	781	25.6	2LC0472-1BD ■ ■ ■ -0AA0	562
			BUB	225	225	310	310						12			552	24.3	2LC0472-1AT ■ ■ ■ -0AA0	540

∅D1: • Without finished bore – Without order codes

• With finished bore – With order codes for diameter and tolerance (article number without "-Z")

1
9

∅D2: • Without finished bore – Without order codes

• With finished bore – With order codes for diameter and tolerance (article number without "-Z")

1
9

Up to size 240-6 available from stock.

Because of the split variant, the coupling is optionally available with prefitted plate packs.

For simplified fitting on B hubs, plate packs from size 280-6 available with closing element.

Weights and mass moments of inertia apply to the entire coupling with maximum bores D1/D2.

Ordering example:

ARPEX ARS-6 NUN coupling, size 140-6,
Bore ∅D1 60H7 mm, with keyway to DIN 6885 and set screw,
Bore ∅D2 65K7 mm, with keyway to DIN 6885 and set screw.

Article No.:

2LC0470-3NW99-0AA0-Z
L1E+M1F+M13

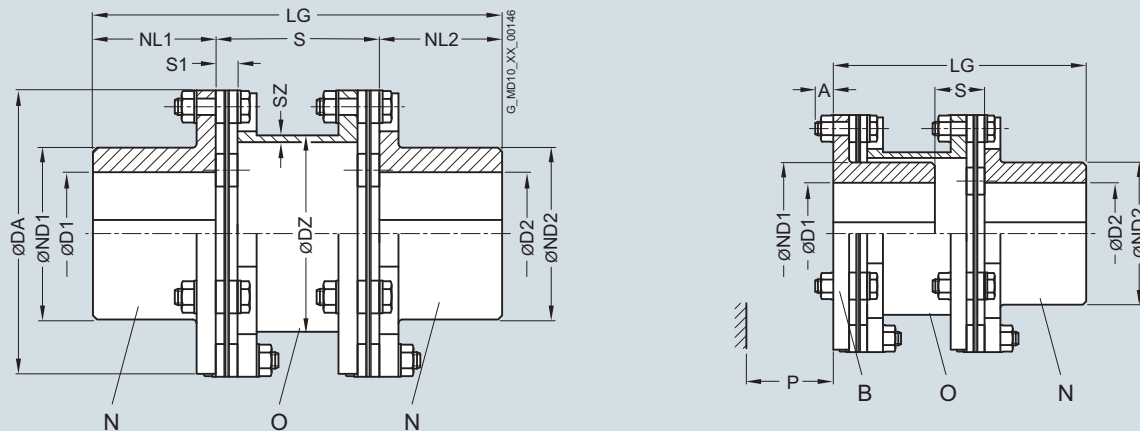
FLENDER Standard Couplings

Torsionally Rigid All-Steel Couplings – ARPEX ARS-6 Series

Type NON

Selection and ordering data

Torsionally rigid coupling with shortest possible shaft distance enabling problem-free fitting with commercially available tools.
Type NON with radially freely dismountable intermediate spacer. Type BON cannot be radially dismounted without moving the units.



Size	Rated torque	Maximum speed	Type	Dimensions in mm										Mass moment of inertia	Article No.	Weight		
DA	T_{KN}	n_{Kmax}		D1, D2	ND1	ND2	DZ	SZ	NL1/ NL2	S1	Shaft distance		LG	J	Order codes for bore diameters and tolerances are specified in catalog section 3	m		
mm	Nm	rpm		max. max.							S	A	P	kgm ²		kg		
78-6	170	13400	NON	28	28	39	39	45	2.5	30	8	51	-	-	111	0.001	2LC0470-0NV ■ ■ -0AA0	1.1
			BON									28	8	29	88		2LC0470-0AS ■ ■ -0AA0	
105-6	270	10000	NON	45	45	63	63	72	2.5	45	8	51	-	-	141	0.003	2LC0470-1NV ■ ■ -0AA0	2.4
			BON									13	8	29	103		2LC0470-1AS ■ ■ -0AA0	
125-6	490	8400	NON	55	55	76	76	84	2.5	55	11	67	-	-	177	0.008	2LC0470-2NV ■ ■ -0AA0	4.3
			BON									21	10	37	131		2LC0470-2AS ■ ■ -0AA0	
140-6	700	7500	NON	65	65	91	91	99	2.5	65	11	70	-	-	200	0.015	2LC0470-3NV ■ ■ -0AA0	6.1
			BON									14	10	37	144		2LC0470-3AS ■ ■ -0AA0	
165-6	1250	6350	NON	75	75	105	105	114	2.5	75	14	83	-	-	233	0.031	2LC0470-4NV ■ ■ -0AA0	9.4
			BON									17	12	45	167		2LC0470-4AS ■ ■ -0AA0	
175-6	2000	6000	NON	80	80	110	110	120	3.0	80	15	95	-	-	255	0.047	2LC0470-5NV ■ ■ -0AA0	12.1
			BON									27	15	52	187		2LC0470-5AS ■ ■ -0AA0	
195-6	3000	5350	NON	90	90	120	120	131	3.0	80	15	95	-	-	255	0.071	2LC0470-6NV ■ ■ -0AA0	14.5
			BON									27	14	52	187		2LC0470-6AS ■ ■ -0AA0	
210-6	4400	5000	NON	95	95	126	126	139	4.0	90	15	105	-	-	285	0.105	2LC0470-7NV ■ ■ -0AA0	18.7
			BON									28	20	61	208		2LC0470-7AS ■ ■ -0AA0	
240-6	5700	4350	NON	110	110	145	145	162	5.0	100	18	116	-	-	316	0.203	2LC0470-8NV ■ ■ -0AA0	27.3
			BON									31	18	66	231		2LC0470-8AS ■ ■ -0AA0	
255-6	7600	4100	NON	115	115	154	154	170	5.0	110	23	146	-	-	366	0.309	2LC0471-0NV ■ ■ -0AA0	36.5
			BON									54	24	81	274		2LC0471-0AS ■ ■ -0AA0	
280-6	10000	3750	NON	135	135	184	184	186	6.0	130	25	150	-	-	410	0.524	2LC0471-1NV ■ ■ -0AA0	52.3
			BON	120	135	161	184					39	22	83	299	0.496	2LC0471-1AS ■ ■ -0AA0	49.9

FLENDER Standard Couplings

Torsionally Rigid All-Steel Couplings – ARPEX ARS-6 Series

Type NON

Size	Rated torque	Maximum speed	Type	Dimensions in mm										Mass moment of inertia	Article No. Order codes for bore diameters and tolerances are specified in catalog section 3	Weight			
				D1, D2 Keyway DIN 6885 max. max.		ND1	ND2	DZ	SZ	NL1/ NL2	S1	Shaft distance					S	A	P
mm	Nm	rpm															kgm ²		kg
305-6	12000	3400	NON	145	145	198	198	200	6.5	140	27	174	–	–	454	0.740	2LC0471-2NV ■ ■ -0AA0	64.1	
			BON	130	145	175	198					54	13	61	334	0.702	2LC0471-2AS ■ ■ -0AA0	61.3	
335-6	18000	3100	NON	160	160	214	214	218	7.5	150	30	185	–	–	485	1.14	2LC0471-3NV ■ ■ -0AA0	81.0	
			BON	140	160	190	214					57	15	69	357	1.09	2LC0471-3AS ■ ■ -0AA0	78.9	
372-6	24000	2800	NON	165	165	225	225	228	9.5	160	32	209	–	–	529	1.89	2LC0471-4NV ■ ■ -0AA0	112	
			BON	145	165	200	225					74	16	76	394	1.82	2LC0471-4AS ■ ■ -0AA0	109	
407-6	34000	2550	NON	185	185	250	250	245	11.0	175	35	220	–	–	570	2.98	2LC0471-5NV ■ ■ -0AA0	147	
			BON	145	185	205	250					72	19	83	422	2.84	2LC0471-5AS ■ ■ -0AA0	143	
442-6	43000	2350	NON	200	200	270	270	273	11.0	190	38	241	–	–	621	4.46	2LC0471-6NV ■ ■ -0AA0	185	
			BON	170	200	230	270					81	20	92	461	4.27	2LC0471-6AS ■ ■ -0AA0	179	
487-6	55000	2150	NON	225	225	305	305	298	13.0	215	41	257	–	–	687	7.51	2LC0471-7NV ■ ■ -0AA0	257	
			BON	180	225	250	305					75	23	100	505	7.10	2LC0471-7AS ■ ■ -0AA0	247	
522-6	69000	2000	NON	240	240	325	325	324	13.0	230	44	278	–	–	738	10.4	2LC0471-8NV ■ ■ -0AA0	311	
			BON	200	240	275	325					84	23	107	544	9.93	2LC0471-8AS ■ ■ -0AA0	300	
572-6	92000	1800	NON	265	265	360	360	356	15.0	255	47	294	–	–	804	16.5	2LC0472-0NV ■ ■ -0AA0	413	
			BON	220	265	300	360					77	24	114	587	15.6	2LC0472-0AS ■ ■ -0AA0	394	
602-6	106000	1700	NON	280	280	380	380	368	16.0	270	50	315	–	–	855	21.9	2LC0472-1NV ■ ■ -0AA0	492	
			BON	225	280	310	380					86	26	123	626	20.6	2LC0472-1AS ■ ■ -0AA0	470	
∅D1:			<ul style="list-style-type: none"> Without finished bore – Without order codes With finished bore – With order codes for diameter and tolerance (article number without "-Z") 															1 9	
∅D2:			<ul style="list-style-type: none"> Without finished bore – Without order codes With finished bore – With order codes for diameter and tolerance (article number without "-Z") 															1 9	

Up to size 240-6 available from stock.

For simplified fitting on B hubs, plate packs from size 280-6 available with closing element.

Weights and mass moments of inertia apply to the entire coupling with maximum bores D1/D2.

Ordering example:

ARPEX ARS-6 NON coupling, size 105-6,
Bore ∅D1 40H7 mm, with keyway to DIN 6885 and set screw,
Bore ∅D2 45K7 mm, with keyway to DIN 6885 and set screw.

Article No.:

2LC0470-1NV99-0AA0-Z
LOW+M1A+M13

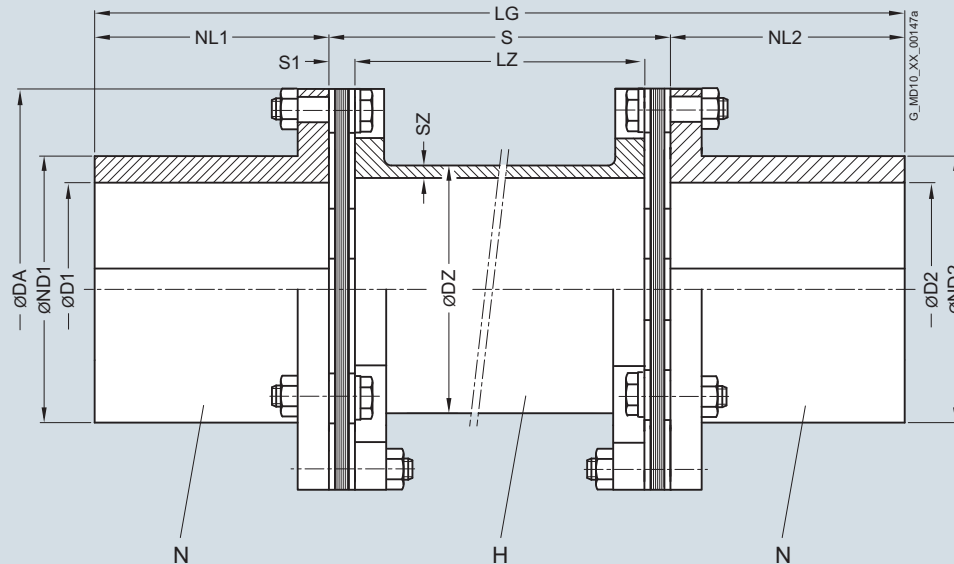
FLENDER Standard Couplings

Torsionally Rigid All-Steel Couplings – ARPEX ARS-6 Series

Type NHN

Selection and ordering data

Torsionally rigid coupling type NHN with variable shaft distance S. Type NHN with radially freely dismountable intermediate spacer.



Size	Rated torque	Maximum speed	Dimensions in mm								Shaft distance	Mass moment of inertia	Article No.	Weight
DA	T_{KN}	n_{Kmax}	D1/D2	ND1/ND2	DZ	SZ	NL1/NL2	S1	LZ	S	J	Order codes for bore diameters and tolerances are specified in catalog section 3	m	
mm	Nm	rpm	Keyway DIN 6885 max.						min.	min.	kgm ²		kg	
78-6	170	13400	28	39	44.5	3.2	30	8	69	85	0.002	2LC0470-0NT ■ ■ -0AZ0	4.3	
105-6	270	10000	45	63	57.0	3.2	45	8	64	80	0.006	2LC0470-1NT ■ ■ -0AZ0	6.6	
125-6	490	8400	55	76	63.5	4.0	55	11	73	95	0.014	2LC0470-2NT ■ ■ -0AZ0	10.2	
140-6	700	7500	65	91	76.1	3.6	65	11	73	95	0.023	2LC0470-3NT ■ ■ -0AZ0	12.6	
165-6	1250	6350	75	105	88.9	4.0	75	14	72	100	0.046	2LC0470-4NT ■ ■ -0AZ0	17.7	
175-6	2000	6000	80	110	101.6	5.0	80	15	70	100	0.074	2LC0470-5NT ■ ■ -0AZ0	23.7	
195-6	3000	5350	90	120	108.0	7.1	80	15	70	100	0.115	2LC0470-6NT ■ ■ -0AZ0	31.8	
210-6	4400	5000	95	126	114.3	7.1	90	15	100	130	0.157	2LC0470-7NT ■ ■ -0AZ0	36.9	
240-6	5700	4350	110	145	133.0	7.1	100	18	104	140	0.287	2LC0470-8NT ■ ■ -0AZ0	48.6	
255-6	7600	4100	115	154	139.7	8.0	110	23	134	180	0.415	2LC0471-0NT ■ ■ -0AZ0	61.4	
280-6	10000	3750	135	184	152.4	8.8	130	25	130	180	0.675	2LC0471-1NT ■ ■ -0AZ0	81.9	
305-6	12000	3400	145	198	168.3	10.0	140	27	146	200	0.962	2LC0471-2NT ■ ■ -0AZ0	100	
335-6	18000	3100	160	214	177.8	12.5	150	30	170	230	1.46	2LC0471-3NT ■ ■ -0AZ0	128	
372-6	24000	2800	165	225	193.7	14.2	160	32	186	250	2.32	2LC0471-4NT ■ ■ -0AZ0	168	
407-6	34000	2550	185	250	244.5	14.2	175	35	180	250	3.85	2LC0471-5NT ■ ■ -0AZ0	212	
442-6	43000	2350	200	270	273.0	16.0	190	38	184	260	5.82	2LC0471-6NT ■ ■ -0AZ0	267	
487-6	55000	2150	225	305	298.5	17.5	215	41	188	270	9.39	2LC0471-7NT ■ ■ -0AZ0	352	
522-6	69000	2000	240	325	323.9	17.5	230	44	202	290	12.8	2LC0471-8NT ■ ■ -0AZ0	413	
572-6	92000	1800	265	360	355.6	20.0	255	47	216	310	20.1	2LC0472-0NT ■ ■ -0AZ0	538	
602-6	106000	1700	280	380	368.0	22.2	270	50	230	330	26.1	2LC0472-1NT ■ ■ -0AZ0	633	
ØD1:	<ul style="list-style-type: none"> Without finished bore – Without order codes With finished bore – With order codes for diameter and tolerance (article number without "-Z") 											1 9		
ØD2:	<ul style="list-style-type: none"> Without finished bore – Without order codes With finished bore – With order codes for diameter and tolerance (article number without "-Z") 											1 9		

The permitted length of the intermediate spacer depends on the maximum operating speed of the coupling (see following table).

In the case of individual order of the intermediate spacer, the length (LZ) must be specified.

For greater shaft distances, see type NZN.

Weights and mass moments of inertia apply to the entire coupling with maximum bores D1/D2 and S = 1000 mm.

FLENDER Standard Couplings

Torsionally Rigid All-Steel Couplings – ARPEX ARS-6 Series

Type NHN

Permitted shaft distance S of type NHN relative to speed

Size	Speed n_N												
	rpm												
DA	500	600	700	800	900	1000	1200	1400	1500	2000	2500	3000	4000
mm	Permitted shaft distance S												
mm	mm												
78-6	2809	2565	2376	2223	2096	1989	1816	1682	1625	1409	1261	1152	998
105-6	3203	2925	2709	2534	2390	2268	2071	1918	1853	1606	1437	1313	1138
125-6	3372	3079	2852	2668	2516	2388	2181	2020	1952	1692	1514	1383	1199
140-6	3719	3396	3145	2943	2775	2633	2405	2227	2152	1865	1669	1525	1322
165-6	4027	3677	3405	3186	3005	2852	2604	2412	2331	2020	1809	1652	1433
175-6	4296	3923	3633	3399	3206	3042	2778	2573	2487	2155	1929	1763	1529
195-6	4393	4011	3715	3476	3278	3110	2841	2631	2542	2204	1973	1802	1563
210-6	4527	4134	3828	3582	3378	3205	2927	2711	2620	2271	2033	1857	1610
240-6	4906	4480	4149	3882	3661	3474	3173	2939	2840	2462	2204	2013	1746
255-6	5023	4587	4249	3976	3750	3558	3250	3011	2910	2523	2259	2064	1791
280-6	5246	4791	4437	4152	3916	3717	3395	3145	3039	2635	2360	2156	
305-6	5509	5031	4660	4361	4113	3903	3566	3303	3192	2768	2479	2265	
335-6	5634	5146	4766	4461	4207	3993	3647	3379	3266	2832	2536	2318	
372-6	5873	5364	4968	4650	4385	4162	3802	3523	3404	2952	2644		
407-6	6647	6071	5623	5262	4963	4710	4303	3986	3852	3341	2992		
442-6	7023	6414	5941	5560	5244	4977	4547	4212	4071	3530			
487-6	7345	6708	6214	5815	5485	5205	4755	4406	4258	3693			
522-6	7669	7005	6489	6072	5728	5436	4966	4601	4446	3857			
572-6	8000	7333	6792	6356	5996	5690	5199	4817	4655				
602-6	8000	7447	6898	6456	6089	5779	5280	4892	4728				

Outside the permitted speed range

Ordering example:

ARPEX ARS-6 NHN coupling, size 105-6, with shaft distance

S = 1000 mm,

Bore ØD1 40H7 mm, with keyway to DIN 6885 and set screw,

Bore ØD2 45K7 mm, with keyway to DIN 6885 and set screw.

Article No.:

2LC0470-1NT99-0AZ0-Z**L0W+M1A+Q0Y+M13**Plain text to Q0Y: **S = 1000 mm**

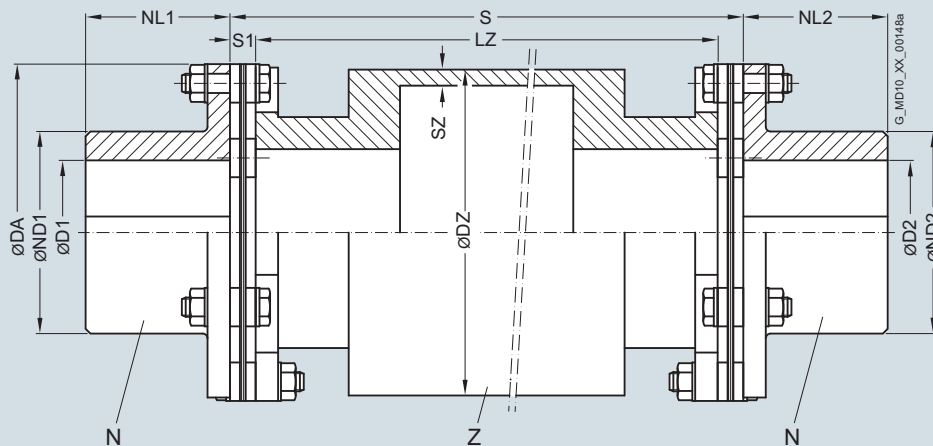
FLENDER Standard Couplings

Torsionally Rigid All-Steel Couplings – ARPEX ARS-6 Series

Type NZN

Selection and ordering data

Torsionally rigid coupling type NZN with variable shaft distance S and reinforced intermediate spacer.
Type NZN with radially freely dismountable intermediate spacer.



Size	Rated torque	Maximum speed	Dimensions in mm							Shaft distance	Mass moment of inertia J	Article No. Order codes for bore diameters and tolerances are specified in catalog section 3	Weight
			D1/D2 Keyway DIN 6885 max.	ND1/ND2	DZ	SZ	NL1/NL2	S1	LZ min.				
mm	Nm	rpm									kgm ²		kg
78-6	170	13400	28	39	76.1	3.6	30	8	400	416	0.009	2LC0470-0PC ■ ■ ■ -0AZ0	7.8
105-6	270	10000	45	63	101.6	5.0	45	8	400	416	0.031	2LC0470-1PC ■ ■ ■ -0AZ0	15.3
125-6	490	8400	55	76	114.3	7.1	55	11	400	422	0.061	2LC0470-2PC ■ ■ ■ -0AZ0	23.9
140-6	700	7500	65	91	139.7	8.0	65	11	400	422	0.125	2LC0470-3PC ■ ■ ■ -0AZ0	33.1
165-6	1250	6350	75	105	168.3	7.1	75	14	400	428	0.219	2LC0470-4PC ■ ■ ■ -0AZ0	41.5
175-6	2000	6000	80	110	177.8	7.1	80	15	400	430	0.266	2LC0470-5PC ■ ■ ■ -0AZ0	45.6
195-6	3000	5350	90	120	193.7	7.1	80	15	400	430	0.361	2LC0470-6PC ■ ■ ■ -0AZ0	51.7
210-6	4400	5000	95	126	193.7	7.1	90	15	400	430	0.392	2LC0470-7PC ■ ■ ■ -0AZ0	55.0
240-6	5700	4350	110	145	219.1	7.1	100	18	400	436	0.622	2LC0470-8PC ■ ■ ■ -0AZ0	68.3
255-6	7600	4100	115	154	244.5	7.1	110	23	400	446	0.902	2LC0471-0PC ■ ■ ■ -0AZ0	85.9
280-6	10000	3750	135	184	273.0	7.1	130	25	400	450	1.39	2LC0471-1PC ■ ■ ■ -0AZ0	112
305-6	12000	3400	145	198	298.5	11.0	140	27	400	454	2.28	2LC0471-2PC ■ ■ ■ -0AZ0	155
335-6	18000	3100	160	214	323.9	11.0	150	30	400	460	3.13	2LC0471-3PC ■ ■ ■ -0AZ0	180
ØD1: <ul style="list-style-type: none"> Without finished bore – Without order codes With finished bore – With order codes for diameter and tolerance (article number without "-Z") 												1 9	
ØD2: <ul style="list-style-type: none"> Without finished bore – Without order codes With finished bore – With order codes for diameter and tolerance (article number without "-Z") 												1 9	

The permitted length of the intermediate spacer depends on the maximum operating speed of the coupling (see following table).

Weights and mass moments of inertia apply to the entire coupling with maximum bores D1/D2 and S = 1000 mm.

In the case of individual order of the intermediate spacer, the length (LZ) must be specified.

FLENDER Standard Couplings

Torsionally Rigid All-Steel Couplings – ARPEX ARS-6 Series

Type NZN

Permitted shaft distance S of type NZN relative to speed

Size	Speed n_N												
	rpm												
DA	500	600	700	800	900	1000	1200	1400	1500	2000	2500	3000	4000
mm	Permitted shaft distance S												
mm	mm												
78-6	3716	3393	3142	2940	2772	2630	2402	2224	2149	1862	1666	1522	1319
105-6	4289	3916	3626	3392	3199	3035	2771	2566	2480	2148	1922	1756	1522
125-6	4523	4130	3824	3578	3374	3201	2923	2707	2616	2267	2029	1853	1606
140-6	5011	4575	4237	3964	3738	3546	3238	2999	2898	2511	2247	2052	1779
165-6	5543	5061	4687	4385	4135	3924	3583	3318	3206	2779	2487	2271	1969
175-6	5704	5209	4823	4513	4256	4038	3687	3415	3300	2860	2559	2338	2026
195-6	5963	5445	5042	4717	4448	4221	3854	3570	3449	2989	2675	2443	2118
210-6	5963	5445	5042	4717	4448	4221	3854	3570	3449	2989	2675	2443	2118
240-6	6357	5805	5376	5030	4743	4501	4110	3807	3678	3188	2853	2606	2259
255-6	6731	6147	5692	5326	5023	4766	4353	4032	3896	3377	3023	2762	2395
280-6	7124	6505	6025	5637	5316	5045	4607	4267	4124	3574	3200	2923	–
305-6	7410	6767	6267	5864	5530	5248	4793	4439	4290	3719	3329	3041	–
335-6	7732	7061	6539	6119	5771	5476	5002	4633	4477	3881	3474	3174	–

Ordering example:

ARPEX ARS-6 NZN coupling, size 105-6, with shaft distance

S = 1000 mm,

Bore $\varnothing D1$ 40H7 mm, with keyway to DIN 6885 and set screw,Bore $\varnothing D2$ 45K7 mm, with keyway to DIN 6885 and set screw.

Article No.:

2LC0470-1PC99-0AZ0-Z**L0W+M1A+Q0Y+M13**Plain text to Q0Y: **S = 1000 mm**

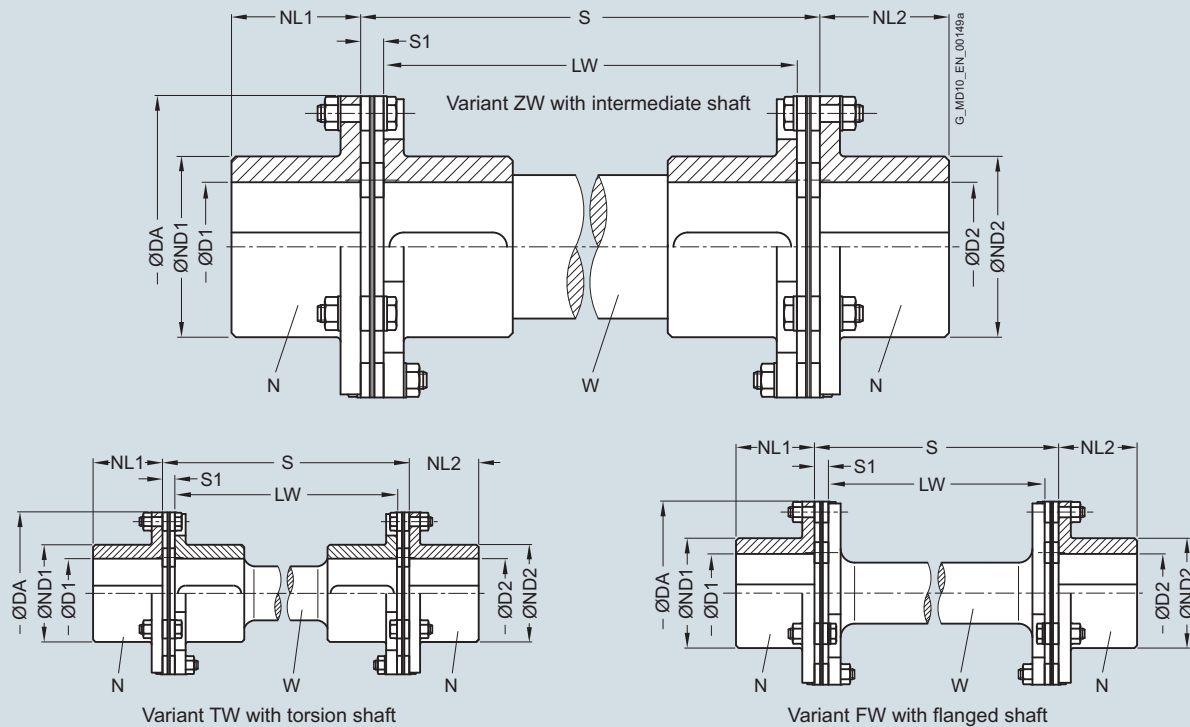
FLENDER Standard Couplings

Torsionally Rigid All-Steel Couplings – ARPEX ARS-6 Series

Type NWN

Selection and ordering data

Torsionally rigid coupling type NWN with radially freely dismountable intermediate, torsion or flange shaft and variable shaft distance S.



Size	Rated torque	Maximum speed	Type	Dimensions in mm					Shaft distance	Mass moment of inertia	Article No. Order codes for bore diameters and tolerances are specified in catalog section 3	Weight	
				D1/D2 Keyway DIN 6885 max.	ND1	NL1/NL2	S1	LW					S
mm	Nm	rpm					min.	min.	kgm ²		kg		
78-6	170	13400	ZW	28	39	30	8	74	90	0.001	2LC0470-0NX ■ ■ -0AZ0	1.7	
			TW					74	90				2LC0470-0PB ■ ■ -0AZ0
			FW					35	51				2LC0470-0PA ■ ■ -0AZ0
105-6	270	10000	ZW	45	63	45	8	104	120	0.004	2LC0470-1NX ■ ■ -0AZ0	4.6	
			TW					104	120				2LC0470-1PB ■ ■ -0AZ0
			FW					35	51				2LC0470-1PA ■ ■ -0AZ0
125-6	490	8400	ZW	55	76	55	11	123	145	0.011	2LC0470-2NX ■ ■ -0AZ0	8.3	
			TW					123	145				2LC0470-2PB ■ ■ -0AZ0
			FW					45	67				2LC0470-2PA ■ ■ -0AZ0
140-6	700	7500	ZW	65	91	65	11	143	165	0.021	2LC0470-3NX ■ ■ -0AZ0	12.8	
			TW					143	165				2LC0470-3PB ■ ■ -0AZ0
			FW					48	70				2LC0470-3PA ■ ■ -0AZ0
165-6	1250	6350	ZW	75	105	75	14	162	190	0.045	2LC0470-4NX ■ ■ -0AZ0	19.6	
			TW					162	190				2LC0470-4PB ■ ■ -0AZ0
			FW					55	83				2LC0470-4PA ■ ■ -0AZ0
175-6	2000	6000	ZW	80	110	80	15	170	200	0.064	2LC0470-5NX ■ ■ -0AZ0	24.0	
			TW					170	200				2LC0470-5PB ■ ■ -0AZ0
			FW					65	95				2LC0470-5PA ■ ■ -0AZ0
195-6	3000	5350	ZW	90	120	80	15	170	200	0.096	2LC0470-6NX ■ ■ -0AZ0	28.7	
			TW					170	200				2LC0470-6PB ■ ■ -0AZ0
			FW					65	95				2LC0470-6PA ■ ■ -0AZ0
210-6	4400	5000	ZW	95	126	90	15	190	220	0.138	2LC0470-7NX ■ ■ -0AZ0	36.1	
			TW					190	220				2LC0470-7PB ■ ■ -0AZ0
			FW					75	105				2LC0470-7PA ■ ■ -0AZ0

FLENDER Standard Couplings

Torsionally Rigid All-Steel Couplings – ARPEX ARS-6 Series

Type NWN

Size	Rated torque	Maximum speed	Type	Dimensions in mm						Shaft distance	Mass moment of inertia	Article No.	Weight
DA	T_{KN}	n_{Kmax}		D1/D2	ND1	NL1/NL2	S1	LW	S	J	Order codes for bore diameters and tolerances are specified in catalog section 3	m	
mm	Nm	rpm		Keyway DIN 6885 max.				min.	min.	kgm ²		kg	
240-6	5700	4350	ZW	110	145	100	18	214	250	0.267	2LC0470-8NX ■ ■ -0AZ0	53.1	
			TW					214	250		2LC0470-8PB ■ ■ -0AZ0		
			FW					80	116		2LC0470-8PA ■ ■ -0AZ0		
255-6	7600	4100	ZW	115	154	110	23	234	280	0.398	2LC0471-0NX ■ ■ -0AZ0	68.3	
			TW					234	280		2LC0471-0PB ■ ■ -0AZ0		
			FW					100	146		2LC0471-0PA ■ ■ -0AZ0		
280-6	10000	3750	ZW	135	184	130	25	270	320	0.734	2LC0471-1NX ■ ■ -0AZ0	105	
			TW					270	320		2LC0471-1PB ■ ■ -0AZ0		
			FW					100	150		2LC0471-1PA ■ ■ -0AZ0		
305-6	12000	3400	ZW	145	198	140	27	296	350	1.04	2LC0471-2NX ■ ■ -0AZ0	129	
			TW					296	350		2LC0471-2PB ■ ■ -0AZ0		
			FW					120	174		2LC0471-2PA ■ ■ -0AZ0		
335-6	18000	3100	ZW	160	214	150	30	310	370	1.58	2LC0471-3NX ■ ■ -0AZ0	162	
			TW					310	370		2LC0471-3PB ■ ■ -0AZ0		
			FW					125	185		2LC0471-3PA ■ ■ -0AZ0		
372-6	24000	2800	ZW	165	225	160	32	336	400	2.44	2LC0471-4NX ■ ■ -0AZ0	206	
			TW					336	400		2LC0471-4PB ■ ■ -0AZ0		
			FW					145	209		2LC0471-4PA ■ ■ -0AZ0		
407-6	34000	2550	ZW	185	250	175	35	360	430	3.89	2LC0471-5NX ■ ■ -0AZ0	272	
			TW					360	430		2LC0471-5PB ■ ■ -0AZ0		
			FW					150	220		2LC0471-5PA ■ ■ -0AZ0		
442-6	43000	2350	ZW	200	270	190	38	394	470	5.83	2LC0471-6NX ■ ■ -0AZ0	347	
			TW					394	470		2LC0471-6PB ■ ■ -0AZ0		
			FW					165	241		2LC0471-6PA ■ ■ -0AZ0		
487-6	55000	2150	ZW	225	305	215	41	448	530	10.0	2LC0471-7NX ■ ■ -0AZ0	489	
			TW					448	530		2LC0471-7PB ■ ■ -0AZ0		
			FW					175	257		2LC0471-7PA ■ ■ -0AZ0		
522-6	69000	2000	ZW	240	325	230	44	472	560	13.9	2LC0471-8NX ■ ■ -0AZ0	593	
			TW					472	560		2LC0471-8PB ■ ■ -0AZ0		
			FW					190	278		2LC0471-8PA ■ ■ -0AZ0		
572-6	92000	1800	ZW	265	360	255	47	526	620	22.4	2LC0472-0NX ■ ■ -0AZ0	797	
			TW					526	620		2LC0472-0PB ■ ■ -0AZ0		
			FW					200	294		2LC0472-0PA ■ ■ -0AZ0		
602-6	106000	1700	ZW	280	380	270	50	550	650	29.5	2LC0472-1NX ■ ■ -0AZ0	941	
			TW					550	650		2LC0472-1PB ■ ■ -0AZ0		
			FW					215	315		2LC0472-1PA ■ ■ -0AZ0		

∅D1: • Without finished bore – Without order codes

• With finished bore – With order codes for diameter and tolerance (article number without "-Z")

1

9

∅D2: • Without finished bore – Without order codes

• With finished bore – With order codes for diameter and tolerance (article number without "-Z")

1

9

The permitted length of the intermediate spacer depends on the maximum operating speed of the coupling.

Weights and mass moments of inertia apply to four hubs with maximum bore D1/D2 and two plate packs.

Ordering example:

ARPEX ARS-6NWN coupling, size 105-6, with intermediate shaft and shaft distance S = 1000 mm,

Bore ∅D1 40H7 mm, with keyway to DIN 6885 and set screw,

Bore ∅D2 45K7 mm, with keyway to DIN 6885 and set screw.

Article No.:

2LC0470-1NX99-0AZ0-Z

LOW+M1A+Q0Y+M13

Plain text to Q0Y: **S = 1000 mm**

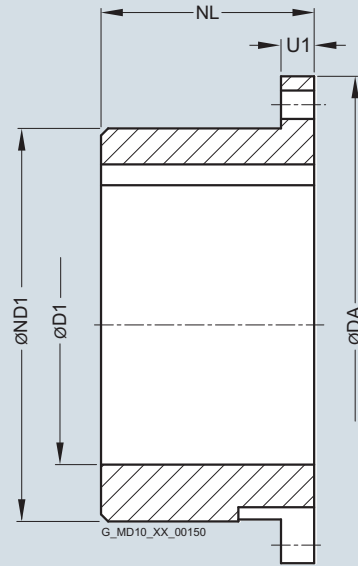
FLENDER Standard Couplings

Torsionally Rigid All-Steel Couplings – ARPEX ARS-6 Series

Further hubs and flanges
J hub

Selection and ordering data

J hubs or jumbo hubs are used where the shaft diameter is greater than the maximum bore diameter of the N hub. Because of the larger hub core diameter " $\varnothing ND1$ ", the J hub cannot be used as a B hub, i.e. the hub core diameter is greater than the inside diameter of the spacer tube and cannot project into the spacer. The J hub can be combined with any spacer.



FLENDER Standard Couplings

Torsionally Rigid All-Steel Couplings – ARPEX ARS-6 Series

Further hubs and flanges
J hub

Size	Dimensions in mm				Mass moment of inertia J	Article No.	Weight m
	DA	ND1	NL	U1			
mm	D1 Keyway DIN 6885 max.				kgm ²	Order codes for bore diameters and tolerances are specified in catalog section 3	kg
78-6	40	53	30	7	0.0002	2LC0470-0JU90-0AA0	0.3
105-6	60	80	45	7	0.0013	2LC0470-1JU90-0AA0	0.9
125-6	70	92	55	9	0.0029	2LC0470-2JU90-0AA0	1.5
140-6	80	107	65	9	0.0058	2LC0470-3JU90-0AA0	2.4
165-6	92	124	75	9	0.0121	2LC0470-4JU90-0AA0	3.7
175-6	96	130	80	12	0.0168	2LC0470-5JU90-0AA0	4.5
195-6	106	142	80	12	0.0244	2LC0470-6JU90-0AA0	5.4
210-6	110	149	90	13	0.0347	2LC0470-7JU90-0AA0	6.9
240-6	130	173	100	15	0.0675	2LC0470-8JU90-0AA0	9.9
255-6	135	182	110	18	0.0961	2LC0471-0JU90-0AA0	12.6

Weights and mass moments of inertia apply to a J hub with a maximum bore D1.

Ordering example:

ARPEX ARS-6 J hub, size 105-6,
hub with bore 60H7 mm and parallel keyway to DIN 6885/1 and
set screw.

Article No.:

2LC0470-1JU90-0AA0
L1E

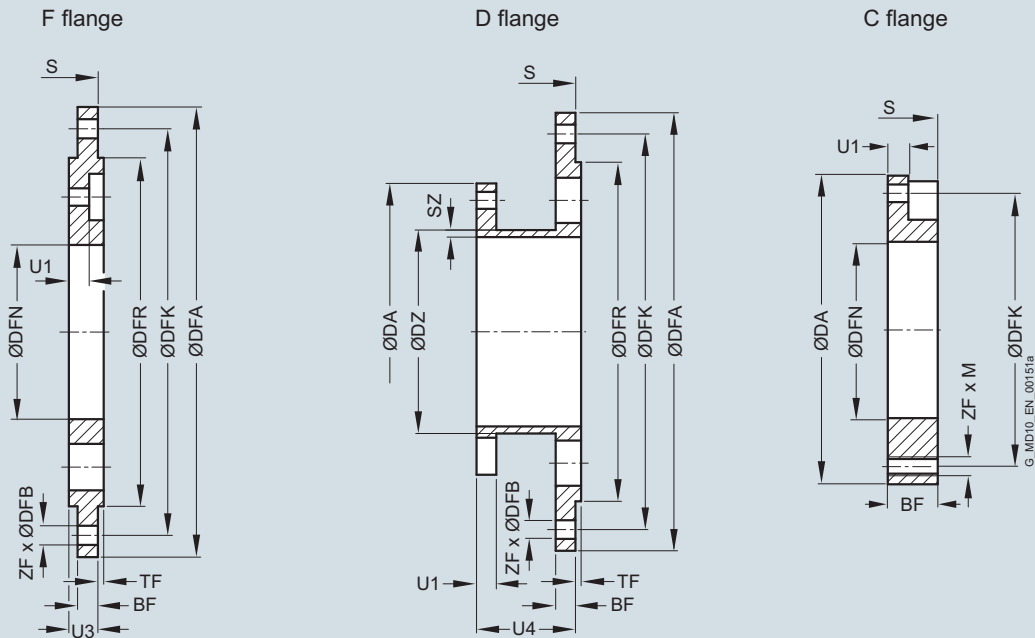
FLENDER Standard Couplings

Torsionally Rigid All-Steel Couplings – ARPEX ARS-6 Series

Further hubs and flanges
F flange, D flange, C flange

Selection and ordering data

F, D and C flanges are used where torque is to be transmitted by flange connections.
F, D and C flanges can be combined with any spacer.



Size	Type	Dimensions in mm													Mass moment of inertia J kgm ²	Article No.	Weight m kg	
		DA	DFR	DFA	DFN	DZ	SZ	DFK	DFB	M	ZF	BF	U1	U3				U4
78-6	F	90 _{j6}	125	40	-	-	110	6.6	-	6	7	7	10	-	2	0.0014	2LC0470-0GP00-0AA0	0.7
	D				-	45	2.5							35		0.0014	2LC0470-0EC00-0AA0	0.8
	C			40H7	-	-	66	-	6	6	12					0.0002	2LC0470-0BE00-0AA0	0.2
105-6	F	120 _{j6}	155	60	-	-	140	6.6	-	6	7	7	10	-	2	0.0036	2LC0470-1GP00-0AA0	1.1
	D				-	72	2.5							35		0.0036	2LC0470-1EC00-0AA0	1.2
	C			60H7	-	-	93	-	6	6	12					0.0007	2LC0470-1BE00-0AA0	0.4
125-6	F	140 _{j6}	178	75	-	-	160	9.0	-	6	9	9	13	-	2	0.0077	2LC0470-2GP00-0AA0	1.8
	D				-	84	2.5							45		0.0079	2LC0470-2EC00-0AA0	1.9
	C			75H7	-	-	109	-	8	6	15					0.0016	2LC0470-2BE00-0AA0	0.7
140-6	F	155 _{j6}	194	90	-	-	175	9.0	-	6	9	9	13	-	2	0.0109	2LC0470-3GP00-0AA0	2.0
	D				-	99	2.5							45		0.0113	2LC0470-3EC00-0AA0	2.2
	C			90H7	-	-	124	-	8	6	15					0.0026	2LC0470-3BE00-0AA0	0.8
165-6	F	180 _{j6}	232	95	-	-	210	11.0	-	6	9	9	15	-	2	0.0233	2LC0470-4GP00-0AA0	3.3
	D				-	114	2.5							55		0.0226	2LC0470-4EC00-0AA0	3.2
	C			95H7	-	-	145	-	10	6	17					0.0060	2LC0470-4BE00-0AA0	1.4
175-6	F	190 _{j6}	245	105	-	-	220	14.0	-	6	12	12	19	-	2	0.0365	2LC0470-5GP00-0AA0	4.5
	D				-	120	3.0							65		0.0368	2LC0470-5EC00-0AA0	4.7
	C			105H7	-	-	153	-	12	6	21					0.0091	2LC0470-5BE00-0AA0	1.8
195-6	F	215 _{j6}	270	115	-	-	245	14.0	-	8	12	12	20	-	2	0.0559	2LC0470-6GP00-0AA0	5.6
	D				-	131	3.0							65		0.0542	2LC0470-6EC00-0AA0	5.6
	C			115H7	-	-	169	-	14	6	22					0.0146	2LC0470-6BE00-0AA0	2.4
210-6	F	230 _{j6}	300	120	-	-	270	18.0	-	6	13	13	22	-	2	0.0907	2LC0470-7GP00-0AA0	7.6
	D				-	139	4.0							75		0.0889	2LC0470-7EC00-0AA0	7.7
	C			120H7	-	-	180	-	16	6	24					0.0210	2LC0470-7BE00-0AA0	3.1
240-6	F	260 _{j6}	330	140	-	-	300	18.0	-	8	15	15	26	-	2	0.1549	2LC0470-8GP00-0AA0	10.6
	D				-	162	5.0							80		0.1514	2LC0470-8EC00-0AA0	10.7
	C			140H7	-	-	207	-	18	6	28					0.0416	2LC0470-8BE00-0AA0	4.6

FLENDER Standard Couplings

Torsionally Rigid All-Steel Couplings – ARPEX ARS-6 Series

Further hubs and flanges
F flange, D flange, C flange

Size DA mm	Type	Dimensions in mm														Mass moment of inertia <i>J</i> kgm ²	Article No.	Weight <i>m</i> kg
		DFR	DFA	DFN	DZ	SZ	DFK	DFB	M	ZF	BF	U1	U3	U4	TF			
255-6	F	275 _{m6}	345	150	–	–	315	18.0	–	8	18	18	30	–	2	0.2167	2LC0471-0GP00-0AA0	13.2
	D	–	–	–	170	5.0	–	–	–	–	–	–	100	–	–	0.2168	2LC0471-0EC00-0AA0	13.9
	C	–	–	150H7	–	–	219	–	20	6	32	–	–	–	–	0.0586	2LC0471-0BE00-0AA0	5.7
280-6	F	305 _{m6}	375	160	–	–	345	18.0	–	10	19	19	31	–	3	0.3278	2LC0471-1GP00-0AA0	17.1
	D	–	–	–	186	6.0	–	–	–	–	–	–	100	–	–	0.3266	2LC0471-1EC00-0AA0	17.9
	C	–	–	160H7	–	–	240	–	22	6	34	–	–	–	–	0.0927	2LC0471-1BE00-0AA0	7.6
305-6	F	330 _{m6}	400	180	–	–	370	18.0	–	12	20	20	37	–	3	0.4709	2LC0471-2GP00-0AA0	21.3
	D	–	–	–	200	6.5	–	–	–	–	–	–	120	–	–	0.4519	2LC0471-2EC00-0AA0	21.9
	C	–	–	180H7	–	–	260	–	24	6	40	–	–	–	–	0.1442	2LC0471-2BE00-0AA0	9.8
335-6	F	365 _{m6}	447	190	–	–	410	22.0	–	10	22	22	41	–	3	0.8051	2LC0471-3GP00-0AA0	29.9
	D	–	–	–	218	7.5	–	–	–	–	–	–	125	–	–	0.7586	2LC0471-3EC00-0AA0	29.7
	C	–	–	190H7	–	–	285	–	27	6	44	–	–	–	–	0.2334	2LC0471-3BE00-0AA0	13.5
372-6	F	410 _{m6}	505	200	–	–	460	22.0	–	12	25	25	46	–	3	1.4635	2LC0471-4GP00-0AA0	42.9
	D	–	–	–	228	9.5	–	–	–	–	–	–	145	–	–	1.3843	2LC0471-4EC00-0AA0	44.0
	C	–	–	200H7	–	–	310	–	30	6	49	–	–	–	–	0.3947	2LC0471-4BE00-0AA0	19.0
407-6	F	445 _{m6}	535	210	–	–	490	22.0	–	16	27	27	48	–	3	1.9809	2LC0471-5GP00-0AA0	51.9
	D	–	–	–	245	11.0	–	–	–	–	–	–	150	–	–	1.9083	2LC0471-5EC00-0AA0	54.4
	C	–	–	210H7	–	–	340	–	33	6	51	–	–	–	–	0.6095	2LC0471-5BE00-0AA0	25.2
442-6	F	490 _{m6}	585	230	–	–	540	22.0	–	18	30	30	55	–	3	3.2065	2LC0471-6GP00-0AA0	70.0
	D	–	–	–	273	11.0	–	–	–	–	–	–	165	–	–	2.9664	2LC0471-6EC00-0AA0	69.0
	C	–	–	230H7	–	–	370	–	36	6	58	–	–	–	–	0.9466	2LC0471-6BE00-0AA0	33.0
487-6	F	535 _{m6}	645	260	–	–	590	26.0	–	16	33	33	60	–	3	5.1248	2LC0471-7GP00-0AA0	91.6
	D	–	–	–	298	13.0	–	–	–	–	–	–	175	–	–	4.8658	2LC0471-7EC00-0AA0	94.3
	C	–	–	260H7	–	–	410	–	39	6	63	–	–	–	–	1.5350	2LC0471-7BE00-0AA0	43.4
522-6	F	580 _{m6}	695	280	–	–	640	26.0	–	18	36	36	63	–	4	7.4857	2LC0471-8GP00-0AA0	114
	D	–	–	–	324	13.0	–	–	–	–	–	–	190	–	–	7.0887	2LC0471-8EC00-0AA0	117
	C	–	–	280H7	–	–	440	–	42	6	67	–	–	–	–	2.0955	2LC0471-8BE00-0AA0	51.4
572-6	F	625 _{m6}	770	310	–	–	700	33.0	–	16	38	38	67	–	4	11.6519	2LC0472-0GP00-0AA0	147
	D	–	–	–	356	15.0	–	–	–	–	–	–	200	–	–	11.2872	2LC0472-0EC00-0AA0	153
	C	–	–	310H7	–	–	480	–	45	6	71	–	–	–	–	3.2918	2LC0472-0BE00-0AA0	66.6
602-6	F	655 _{m6}	800	320	–	–	730	33.0	–	16	41	41	72	–	4	14.7118	2LC0472-1GP00-0AA0	172
	D	–	–	–	368	16.0	–	–	–	–	–	–	215	–	–	14.3454	2LC0472-1EC00-0AA0	181
	C	–	–	320H7	–	–	505	–	48	6	76	–	–	–	–	4.3874	2LC0472-1BE00-0AA0	81.1

F, D and C flanges are readily available in many sizes.

Ordering example:

ARPEX ARS-6 F flange, size 105-6.

Article No.:

2LC0470-1GP00-0AA0

FLENDER Standard Couplings

Torsionally Rigid All-Steel Couplings – ARPEX ARS-6 Series

Further hubs and flanges Clamping hub

Selection and ordering data

Standard clamping hub types 124 and 125 can be combined with any spacer. It should be noted that the clamping hub can be used only as an "N hub" (hub core outside). Clamping hub as "B hub" (hub core in spacer tube) on request. Transmissible torque and maximum bore diameter are smaller on a B hub variant than stated below.

Function

ARPEX clamping hubs transmit torque with the aid of a flexible press fit. By pulling the clamping ring on by means of the tightening screws the necessary surface pressure is applied in the "shaft/hub" contact area. After the tightening operation the clamping ring lies up against the clamping hub. The gap dimension between the clamping hub and the clamping ring is then zero. This has the effect that even with repeated fitting and dismounting the balancing condition is maintained (no wobble effect). Clamping hubs can be clamped as often as required. It must be ensured that the taper surfaces are adequately lubricated.

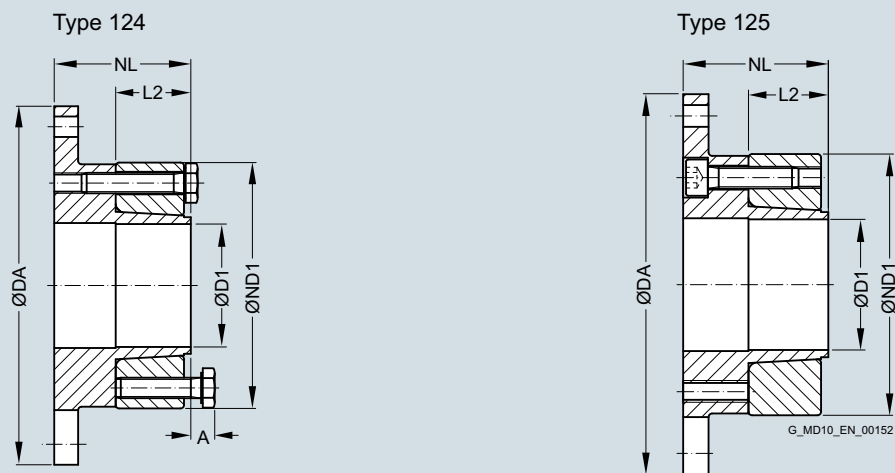
Transmissible torque

The clamping connections are designed to enable the specified maximum torques to be transmitted. These maximum torques may not be exceeded. The mathematical coefficient of friction between the shaft and the clamping hub is $\mu = 0.16$.

Fitting clearance and surface roughness

The transmissible torques take into account the maximum fitting clearance and maximum surface roughness. For other shaft tolerances reduced torques or other bore tolerances must be used. The surface roughness of the shaft should be $\leq R_a = 1.6 \mu\text{m}$.

The shaft tolerance must be specified in the order. To specify, "-Z" must be added to the article number and the order code "Y26" with plain text specification of the shaft tolerance for D1 must be added as well. The fit pairing G6/h6 should be used wherever possible.



Size DA	Clamping hub Type	Dimensions in mm						Mass moment of inertia J	Article No. Order codes for bore diameters and toler- ances are specified in catalog section 3	Weight m
		D1 min.	D1 max.	ND1	NL	L2	A			
78-6	124	15	25	48	35	19	6	0.0002	2LC0470-0LM90-0AA0	0.5
	125								2LC0470-0LN90-0AA0	
105-6	124	25	45	74	40	22	8	0.0012	2LC0470-1LM90-0AA0	1.0
	125								2LC0470-1LN90-0AA0	
125-6	124	30	50	86	45	28	8	0.0026	2LC0470-2LM90-0AA0	1.6
	125								2LC0470-2LN90-0AA0	
140-6	124	30	60	103	50	33	9	0.0051	2LC0470-3LM90-0AA0	2.4
	125								2LC0470-3LN90-0AA0	
165-6	124	38	70	118	55	33	9	0.0096	2LC0470-4LM90-0AA0	3.4
	125								2LC0470-4LN90-0AA0	
175-6	124	42	75	122	65	43	10	0.0141	2LC0470-5LM90-0AA0	4.3
	125								2LC0470-5LN90-0AA0	
195-6	124	48	75	135	70	44	9	0.0231	2LC0470-6LM90-0AA0	6.2
	125								2LC0470-6LN90-0AA0	
210-6	124	55	85	141	75	49	9	0.0309	2LC0470-7LM90-0AA0	7.2
	125								2LC0470-7LN90-0AA0	
240-6	124	65	95	164	90	59	10	0.0648	2LC0470-8LM90-0AA0	11.4
	125								2LC0470-8LN90-0AA0	

FLENDER Standard Couplings

Torsionally Rigid All-Steel Couplings – ARPEX ARS-6 Series

Further hubs and flanges
Clamping hub

Size DA	Clamping hub Type	Dimensions in mm						Mass moment of inertia J	Article No. Order codes for bore diameters and toler- ances are specified in catalog section 3	Weight m
		D1	D1	ND1	NL	L2	A			
mm		min.	max.					kgm ²		kg
255-6	124	70	95	171	95	64	10	0.0886	2LC0471-0LM90-0AA0	14.1
	125								2LC0471-0LN90-0AA0	
280-6	124	75	110	189	115	79	–	0.1489	2LC0471-1LM90-0AA0	19.6
	125								2LC0471-1LN90-0AA0	
305-6	124	80	120	203	125	90	–	0.2163	2LC0471-2LM90-0AA0	24.3
	125								2LC0471-2LN90-0AA0	
335-6	124	85	130	221	140	100	–	0.3441	2LC0471-3LM90-0AA0	32.6
	125								2LC0471-3LN90-0AA0	
372-6	124	95	140	230	150	110	–	0.4955	2LC0471-4LM90-0AA0	38.8
	125								2LC0471-4LN90-0AA0	

Additional coupling sizes are available on request.

Smaller bore diameters D1 min. are available on request.

Forcing-off threads of clamping hubs of type 124 from size 280 fitted from flange side (like type 125).

Weights and mass moments of inertia apply to a clamping hub with a maximum bore D1.

Dimensions and torques

Finished bore/shaft in standard fit	Size													
	78-6	105-6	125-6	140-6	165-6	175-6	195-6	210-6	240-6	255-6	280-6	305-6	335-6	372-6
D1 ^{G6} / _{h6} mm	Rated coupling torque T_{KN}													
	Nm	170	270	490	700	1250	2000	3000	4400	5700	7600	10000	12000	18000
	Maximum transmissible torque of the clamping hub													
	Nm	200	–	–	–	–	–	–	–	–	–	–	–	–
16	200	–	–	–	–	–	–	–	–	–	–	–	–	–
19	220	–	–	–	–	–	–	–	–	–	–	–	–	–
20	250	–	–	–	–	–	–	–	–	–	–	–	–	–
22	245	–	–	–	–	–	–	–	–	–	–	–	–	–
24	195	–	–	–	–	–	–	–	–	–	–	–	–	–
25	225	270	–	–	–	–	–	–	–	–	–	–	–	–
28	–	400	–	–	–	–	–	–	–	–	–	–	–	–
30	–	380	670	900	–	–	–	–	–	–	–	–	–	–
32	–	430	710	940	–	–	–	–	–	–	–	–	–	–
35	–	390	740	1060	–	–	–	–	–	–	–	–	–	–
38	–	520	950	1340	1720	–	–	–	–	–	–	–	–	–
40	–	400	810	1140	1970	–	–	–	–	–	–	–	–	–
42	–	480	950	1320	1790	2590	–	–	–	–	–	–	–	–
45	–	505	850	1190	2150	3120	–	–	–	–	–	–	–	–
48	–	–	850	1400	2430	3200	3280	–	–	–	–	–	–	–
50	–	–	970	1090	2500	3550	3650	–	–	–	–	–	–	–
55	–	–	–	1390	2300	3870	3750	4120	–	–	–	–	–	–
60	–	–	–	1180	2020	3490	4490	5220	–	–	–	–	–	–
65	–	–	–	–	2500	4000	4840	6630	7600	–	–	–	–	–
70	–	–	–	–	2360	3610	5110	7430	9200	9800	–	–	–	–
75	–	–	–	–	–	3070	5040	7430	9600	11700	14600	–	–	–
80	–	–	–	–	–	–	–	7330	8800	12600	17200	19300	–	–
85	–	–	–	–	–	–	–	6260	10000	12400	18300	21400	25100	–
90	–	–	–	–	–	–	–	–	9700	14200	20000	23600	29000	–
95	–	–	–	–	–	–	–	–	10000	14700	19700	24000	30400	36300
100	–	–	–	–	–	–	–	–	–	–	19700	24000	34400	41100
110	–	–	–	–	–	–	–	–	–	–	19100	24000	33600	44200
120	–	–	–	–	–	–	–	–	–	–	–	24000	33400	48000
130	–	–	–	–	–	–	–	–	–	–	–	–	33500	46700
140	–	–	–	–	–	–	–	–	–	–	–	–	–	44900

The maximum transmissible torque of the clamping hub must not be exceeded!

Further coupling sizes and higher torques are available on request.

Ordering example:
ARPEX ARS-6 clamping hub, size 105-6, type 124,
for shaft diameter 40h6 mm.

Article No.:
2LC0470-1LM90-0AA0-Z
LOW+Y26
clear text to Y26: **h6**

FLENDER Standard Couplings

Torsionally Rigid All-Steel Couplings – ARPEX ARS-6 Series

Spare and wear parts
Plate pack ARS-6

Selection and ordering data

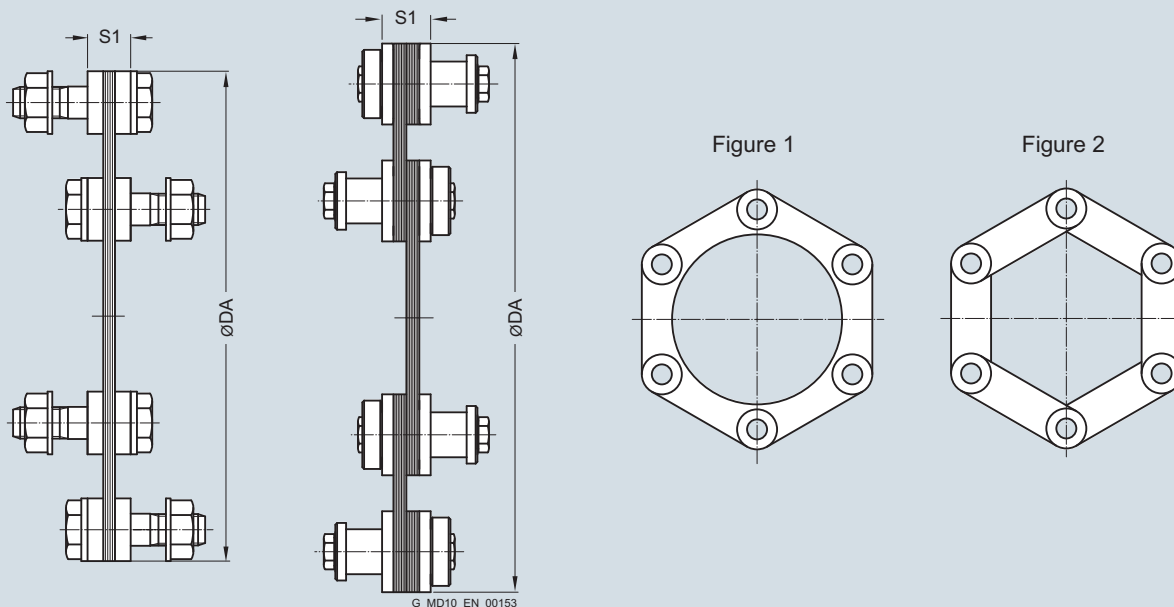


Plate packs up to size 255-6 comprise ring plates (Fig. 1) and from size 280-6 side-bar plates (Fig. 2).

Dimensions in mm		Mass moment of inertia	Article No.	Weight
Size				
DA	S1	J kgm ²		m kg
78-6	8	0.0001	2LC0470-0NQ00-0AA0	0.1
105-6	8	0.0003	2LC0470-1NQ00-0AA0	0.1
125-6	11	0.0009	2LC0470-2NQ00-0AA0	0.3
140-6	11	0.0012	2LC0470-3NQ00-0AA0	0.3
165-6	14	0.0033	2LC0470-4NQ00-0AA0	0.7
175-6	15	0.0050	2LC0470-5NQ00-0AA0	0.9
195-6	15	0.0084	2LC0470-6NQ00-0AA0	1.2
210-6	15	0.0137	2LC0470-7NQ00-0AA0	1.8
240-6	18	0.0253	2LC0470-8NQ00-0AA0	2.5
255-6	23	0.0410	2LC0471-0NQ00-0AA0	3.5
280-6	25	0.0613	2LC0471-1NQ00-0AA0	4.4
305-6	27	0.0734	2LC0471-2NQ00-0AA0	4.6
335-6	30	0.1180	2LC0471-3NQ00-0AA0	6.1
372-6	32	0.2127	2LC0471-4NQ00-0AA0	9.3
407-6	35	0.3387	2LC0471-5NQ00-0AA0	12.3
442-6	38	0.4950	2LC0471-6NQ00-0AA0	15.2
487-6	41	0.7965	2LC0471-7NQ00-0AA0	20.0
522-6	44	1.0849	2LC0471-8NQ00-0AA0	23.6
572-6	47	1.6931	2LC0472-0NQ00-0AA0	31.0
602-6	50	2.2420	2LC0472-1NQ00-0AA0	37.1

The plate pack of the ARS-6 series is readily available as a spare part.

The plate pack is delivered with screw connection.

Up to size 280-6 close-fitting bolts with collar nuts are used. From size 305-6 patented ¹⁾ conical screw connections are used.

Ordering example:

ARPEX ARS-6 plate pack, size 105-6,
complete with screw connections.

Article No.:

2LC0470-1NQ00-0AA0

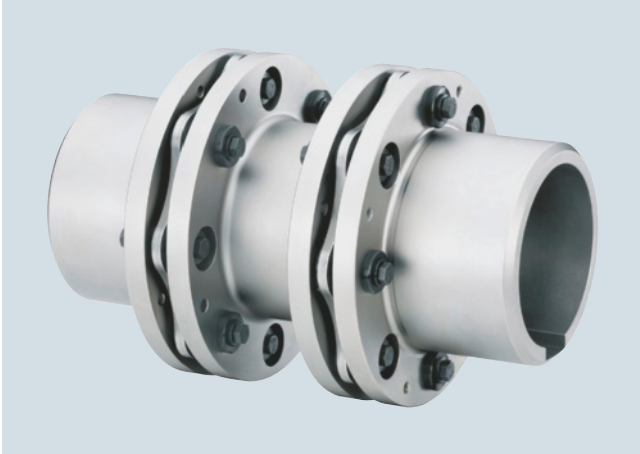
¹⁾ Protected by patent in a number of countries on the date of creation of this catalog.

FLENDER Standard Couplings

Torsionally Rigid All-Steel Couplings – ARPEX ARC-8/-10 Series

General information

Overview



Coupling can be designed for use in potentially explosive atmospheres in accordance with the current ATEX Directive.

Benefits

ARPEX couplings of the ARC-8/-10 series are outstanding for their robust construction. They have been optimized for high torques combined with high speeds. The patented ¹⁾ conical screw connection ensures reliable torque transmission by a true

positive fit and is designed to be extremely easy to fit. Couplings can be designed for use in potentially explosive atmospheres in accordance with the current ATEX Directive.

Application

ARPEX couplings of the ARC-8 and ARC-10 series are output- and speed-optimized coupling solutions. Power transmission is by means of patented ¹⁾ conical screw connections and plate packs of the octagonal and decagonal types. Torques of between 8.5 and 1450 kNm can be transmitted at a permitted angular misalignment of 0.2° to 0.4°. The closed flange shape and a compact construction permit high peripheral speeds and high speeds. On most types, the intermediate spacer can be radially fitted without moving the connected units.

Main areas of application for the ARC-8/-10 series:

- Paper-making machines
- Printing machines
- Compressors
- Fans and blowers
- Generators
- Presses
- Conveyors
- Crane systems
- Pumps
- Mills
- Rotary furnaces
- Stirrers

¹⁾ Protected by patent in a number of countries on the date of creation of this catalog.

FLENDER Standard Couplings

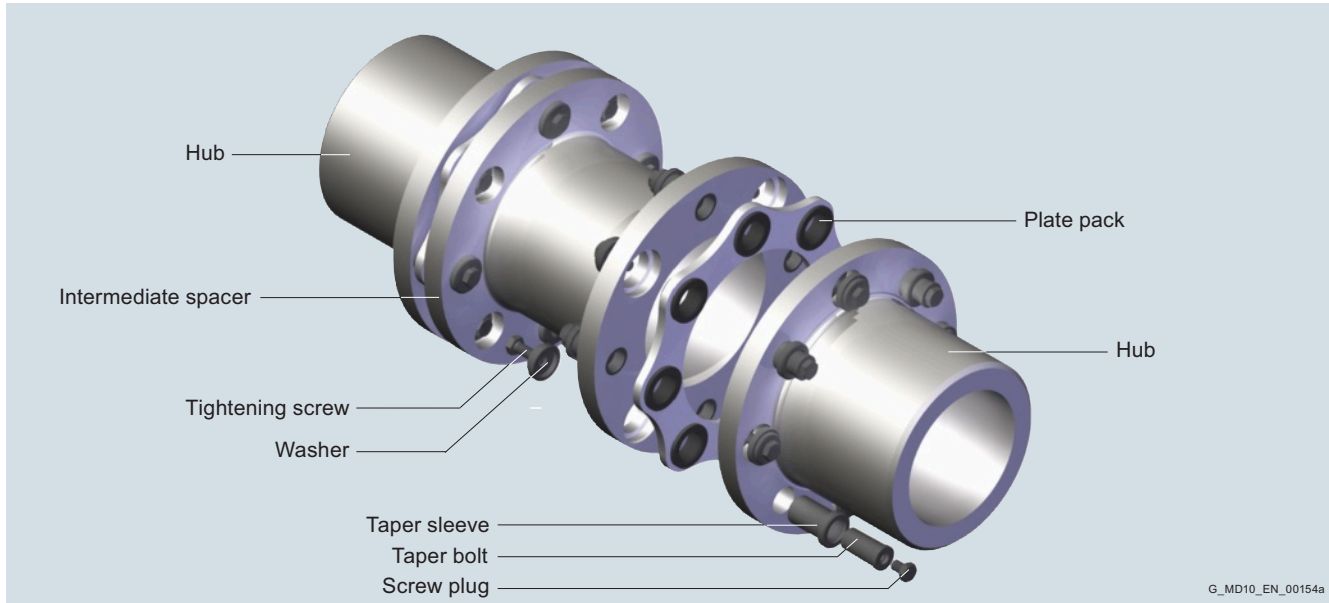
Torsionally Rigid All-Steel Couplings – ARPEX ARC-8/-10 Series

General information

Design

The classic design of an ARPEX coupling of the ARC-8/-10 series type NEN is shown in the following illustration. The plate packs are bolted alternately between the flanges of the coupling hubs and the intermediate spacer.

Conical screw connections are used for fastening. The intermediate spacer lengths are variably designed according to customer specifications.



Design of an ARPEX coupling, ARC-8/-10 series, type NEN

Variants of the ARPEX coupling, ARC-8/-10 series

Types	
NEN	Variant with intermediate spacer machined on all sides, length variable
NHN	Variant with unmachined intermediate spacer, length variable
BUB	Compact variant with split intermediate spacer for short shaft distances
MFEFM	Variant with preassembled intermediate unit and machined intermediate spacer, length variable
MFHFM	Variant with preassembled intermediate unit and unmachined intermediate spacer, length variable

The coupling parts of the ARPEX ARC-8/-10 series with the exception of the H spacers have been machined on all sides. These are delivered with unmachined and primed spacer tube.

Further application-specific coupling types are available in selection module **X.CAT NG** at www.siemens.com/couplings. Dimension sheets and further information are available on request.

FLENDER Standard Couplings

Torsionally Rigid All-Steel Couplings – ARPEX ARC-8/-10 Series

General information

Technical data

Power ratings

Size	Rated torque	Maximum torque	Overload torque	Fatigue torque	Maximum speed	Maximum permitted shaft misalignment			Torsional stiffness							
	T_{KN}	T_{Kmax}	T_{KOL}	T_{KW}	n_{Kmax}	$\pm\Delta K_a$	$\pm\Delta K_w$	$\pm\Delta K_r$	C_T							
	kNm	kNm	kNm	kNm	rpm	mm			NEN NHN	BUB	MFEFM MFHFM	NEN for	NHN	BUB	MFEFM for	MFHFM
									S = 1000 mm		S = 1000 mm	S min.	S = 1000 mm		S min.	S = 1000 mm
									mm	mm	mm	MNm/rad	MNm/rad	MNm/rad	MNm/rad	MNm/rad
225-8	8.5	17	25.5	4.25	8500	1.94	0.4°		6.87	0.96	6.53	3.1	0.9368	3.0	3.1	0.9748
255-8	12.7	25.4	38.1	6.35	7500	2.32			6.86	1.10	6.51	3.8	1.2778	3.7	3.8	1.3295
270-8	16.5	33	49.5	8.25	7000	2.40			6.88	1.10	6.52	5.4	1.7339	5.1	5.4	1.8072
295-8	23	46	69	11.5	6500	2.62			6.86	1.17	6.44	7.1	2.6134	6.7	7.1	2.7358
325-8	33	66	99	16.5	6000	2.60			6.84	1.38	6.34	9.6	3.9537	9.4	9.6	4.1715
355-8	45	90	135	22.5	5500	2.88			6.83	1.42	6.28	12.8	5.6093	12.5	12.8	5.9339
385-8	56	112	168	28	5000	3.12			6.81	1.63	6.22	17.8	7.8517	17.0	17.8	8.3555
420-8	70	140	210	35	4500	3.46			6.79	1.78	6.14	22.9	10.8175	21.9	22.9	11.5763
455-8	88	176	264	44	4200	4.02			6.78	1.89	6.11	30.0	14.2794	28.2	30.0	15.2998
505-8	120	240	360	60	3800	4.28			6.77	2.41	6.04	40.2	20.9046	36.4	40.2	22.4421
545-8	165	330	495	82.5	3500	4.48			6.75	2.67	5.98	50.4	28.7428	45.0	50.4	30.7848
595-8	210	420	630	105	3200	4.86			6.73	2.88	5.89	67.8	39.5343	59.5	67.8	42.5997
630-8	260	520	780	130	3000	4.98	0.3°		4.93	2.10	4.14	61.8	42.6162	61.2	61.8	46.3697
700-8	340	680	1020	170	2700	5.78			4.91	2.38	4.06	84.9	60.2135	83.1	84.9	65.8083
									S = 1500 mm		S = 1500 mm		S = 1500 mm			S = 1500 mm
630-10	340	680	1020	170	3000	3.04	0.2°		5.03	1.40	4.50	94.6	46.9832	94.4	94.6	50.5520
700-10	430	860	1290	215	2700	3.60			5.02	1.58	4.45	135	72.3106	132	135	77.9729
760-10	550	1100	1650	275	2500	3.70			4.98	1.60	4.30	173	91.7589	180	173	101.228
860-10	770	1540	2310	385	2200	4.82			4.95	1.86	4.21	244	145.230	245	244	160.422
950-10	1050	2100	3150	525	2000	5.40			4.91	1.92	4.09	325	204.443	338	325	227.957
1035-10	1450	2900	4350	725	1850	5.78			4.88	1.95	3.97	426	292.140	455	426	326.930

The permitted shaft misalignments ΔK_a , ΔK_r and ΔK_w are maximum values and must not occur at the same time (see following table).

The specified, permitted shaft misalignment ΔK_r for types NEN/NHN and MFEFM/MFHFM applies to a shaft distance of $S = 1000$ mm (ARC-8) or $S = 1500$ mm (ARC-10).

The permitted shaft misalignment ΔK_r for types NEN and NHN is calculated as follows: $\Delta K_r = (S - S1) \cdot \tan(\Delta K_w)$.

The permitted shaft misalignment ΔK_r for types MFEFM and MFHFM is calculated as:

$$\Delta K_r = (S - S1 - 2 \cdot BF) \cdot \tan(\Delta K_w).$$

Permitted shaft misalignments

Size	Permitted angular misalignment $\pm\Delta K_w$				
	0.0°	0.1°	0.2°	0.3°	0.4°
	Permitted axial misalignment $\pm\Delta K_a$ in mm				
225-8	1.94	1.46	0.97	0.48	0.00
255-8	2.32	1.74	1.16	0.58	0.00
270-8	2.40	1.80	1.20	0.60	0.00
295-8	2.62	1.96	1.31	0.66	0.00
325-8	2.60	1.95	1.30	0.65	0.00
355-8	2.88	2.16	1.44	0.72	0.00
385-8	3.12	2.34	1.56	0.78	0.00
420-8	3.46	2.59	1.73	0.86	0.00
455-8	4.02	3.01	2.01	1.00	0.00
505-8	4.28	3.21	2.14	1.07	0.00
545-8	4.48	3.36	2.24	1.12	0.00
595-8	4.86	3.65	2.43	1.22	0.00
630-8	4.98	3.32	1.66	0.00	
700-8	5.78	3.85	1.93	0.00	
630-10	3.04	1.52	0.00		
700-10	3.60	1.80	0.00		
760-10	3.70	1.85	0.00		
860-10	4.82	2.41	0.00		
950-10	5.40	2.70	0.00		
1035-10	5.78	2.89	0.00		

The values for torsional stiffness apply to the complete coupling. In the case of types NHN and MFHFM to a coupling with shaft distance $S = 1000$ mm (ARC-8) or $S = 1500$ mm (ARC-10). The torsional stiffness of the plate packs applies to the rated coupling torque T_{KN} . To determine the torsional stiffness for a specific operating point, e.g. for calculating torsional vibration, the manufacturer must be consulted.

T_{Kmax} permitted only five times per hour.

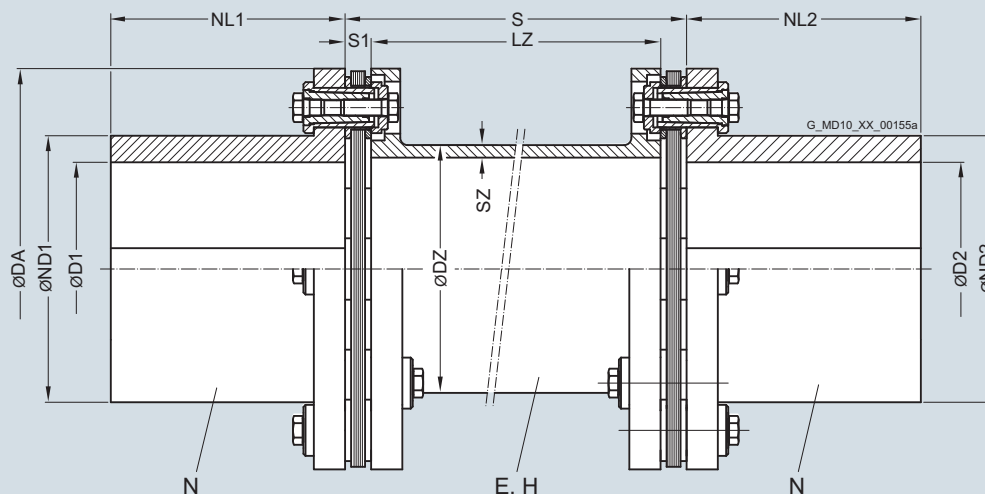
FLENDER Standard Couplings

Torsionally Rigid All-Steel Couplings – ARPEX ARC-8/-10 Series

Types NEN/NHN

Selection and ordering data

Torsionally rigid coupling types NEN and NHN with radially freely dismountable intermediate spacer and variable spacer length. Power transmission via patented ¹⁾ conical screw connection.



Size	Rated torque	Maximum speed	Type	Dimensions in mm								Shaft distance	Mass moment of inertia	Article No.	Weight
DA	T_{KN}	n_{Kmax}		D1/D2	ND1/ND2	DZ	SZ	NL1/NL2	S1	LZ	S	J	Order codes for bore diameters and tolerances are specified in catalog section 3	m	
mm	kNm	rpm		Keyway DIN 6885 max.					min.	min.	kgm ²	kg			
225-8	8.5	8500	NEN	120	147	135.0	6.0	140	16	91	123	0.19	2LC0400-0BE ■ ■ -0AZ0	29	
			NHN			139.7	8.0			240	272	0.21	2LC0400-0BF ■ ■ -0AZ0	33	
255-8	12.7	7500	NEN	140	172	147.0	7.0	160	17	94	128	0.35	2LC0400-1BE ■ ■ -0AZ0	42	
			NHN			152.4	8.8			250	284	0.38	2LC0400-1BF ■ ■ -0AZ0	47	
270-8	16.5	7000	NEN	150	182	172.0	7.0	170	14	96	124	0.45	2LC0400-2BE ■ ■ -0AZ0	46	
			NHN			177.8	7.1			300	328	0.49	2LC0400-2BF ■ ■ -0AZ0	52	
295-8	23	6500	NEN	160	199	188.0	8.0	185	17	121	155	0.75	2LC0400-3BE ■ ■ -0AZ0	66	
			NHN			193.7	8.8			310	344	0.82	2LC0400-3BF ■ ■ -0AZ0	74	
325-8	33	6000	NEN	170	214	197.0	10.5	195	20	134	174	1.27	2LC0400-4BE ■ ■ -0AZ0	93	
			NHN			203.0	12.5			380	420	1.42	2LC0400-4BF ■ ■ -0AZ0	108	
355-8	45	5500	NEN	185	235	222.0	11.0	215	22	145	189	2.01	2LC0400-5BE ■ ■ -0AZ0	123	
			NHN			229.0	12.5			390	434	2.21	2LC0400-5BF ■ ■ -0AZ0	140	
385-8	56	5000	NEN	205	256	238.0	12.0	240	25	151	201	3.02	2LC0400-6BE ■ ■ -0AZ0	156	
			NHN			244.5	14.2			450	500	3.35	2LC0400-6BF ■ ■ -0AZ0	181	
420-8	70	4500	NEN	230	282	266.0	12.0	275	27	177	231	4.74	2LC0400-7BE ■ ■ -0AZ0	202	
			NHN			273.0	14.2			470	524	5.23	2LC0400-7BF ■ ■ -0AZ0	230	
455-8	88	4200	NEN	255	308	291.0	13.0	300	29	180	238	6.81	2LC0400-8BE ■ ■ -0AZ0	244	
			NHN			298.5	14.2			470	528	7.43	2LC0400-8BF ■ ■ -0AZ0	274	
505-8	120	3800	NEN	285	344	315.0	15.0	340	31	188	250	11.5	2LC0401-0BE ■ ■ -0AZ0	335	
			NHN			323.9	17.5			590	652	12.8	2LC0401-0BF ■ ■ -0AZ0	390	
545-8	165	3500	NEN	300	371	346.0	17.0	350	33	202	268	16.8	2LC0401-1BE ■ ■ -0AZ0	427	
			NHN			355.6	20.0			600	666	18.7	2LC0401-1BF ■ ■ -0AZ0	497	
595-8	210	3200	NEN	330	405	384.0	18.0	390	36	212	284	25.9	2LC0401-2BE ■ ■ -0AZ0	552	
			NHN			394.0	20.0			610	682	28.6	2LC0401-2BF ■ ■ -0AZ0	626	

¹⁾ Protected by patent in a number of countries on the date of creation of this catalog.

FLENDER Standard Couplings

Torsionally Rigid All-Steel Couplings – ARPEX ARC-8/-10 Series

Types NEN/NHN

Size	Rated torque	Maximum speed	Type	Dimensions in mm								Shaft distance	Mass moment of inertia	Article No.	Weight
DA	T_{KN}	n_{Kmax}		D1/D2	ND1/ND2	DZ	SZ	NL1/NL2	S1	LZ	S	J	Order codes for bore diameters and tolerances are specified in catalog section 3	m	
mm	kNm	rpm		Keyway DIN 6885 max.						min.	min.	kgm ²			kg
630-8	260	3000	NEN	340	425	409.0	19.0	400	58	281	397	40.6	2LC0401-3BE	-0AZO	763
			NHN										419.0	20.0	630
700-8	340	2700	NEN	395	479	459.0	19.0	470	62	300	424	66.5	2LC0401-4BE	-0AZO	992
			NHN										470.0	20.0	700
630-10	340	3000	NEN	310	425	396.0	29.0	400	58	281	397	45.0	2LC0410-0BE	-0AZO	895
			NHN										406.4	30.0	630
700-10	430	2700	NEN	350	479	459.0	26.0	470	62	300	424	75.7	2LC0410-1BE	-0AZO	1215
			NHN										470.0	30.0	700
760-10	550	2500	NEN	375	507	483.0	30.0	480	74	359	507	116	2LC0410-2BE	-0AZO	1557
			NHN										495.0	30.0	760
860-10	770	2200	NEN	425	574	546.0	33.0	510	82	393	557	208	2LC0410-3BE	-0AZO	2159
			NHN										559.0	36.0	860
950-10	1050	2000	NEN	470	639	596.0	38.0	550	92	437	621	347	2LC0410-4BE	-0AZO	2948
			NHN										610.0	40.0	950
1035-10	1450	1850	NEN	490	693	645.0	46.0	580	102	481	685	545	2LC0410-5BE	-0AZO	3974
			NHN										660.4	50.0	1035

- ∅D1: • Without finished bore – Without order codes
• With finished bore – With order codes for diameter and tolerance (article number without "-Z")
- ∅D2: • Without finished bore – Without order codes
• With finished bore – With order codes for diameter and tolerance (article number without "-Z")

The permitted length of the intermediate spacer depends on the maximum operating speed of the coupling (see following table).

Weights and mass moments of inertia apply to the entire coupling with maximum bores D1/D2 and S = S min.

In the case of individual order of the intermediate spacer, the length (LZ) must be specified.

Permitted shaft distance S of type NHN relative to speed

Size	Speed n_N													
	rpm	500	600	700	800	900	1000	1200	1400	1500	2000	2500	3000	4000
	Permitted shaft distance S													
	mm													
225-8	4962	4531	4196	3926	3703	3514	3209	2972	2872	2489	2228	2035	1765	
255-8	5170	4721	4372	4091	3858	3661	3343	3097	2992	2594	2322	2121	1839	
270-8	5608	5120	4741	4436	4183	3969	3625	3357	3243	2811	2516	2298	1992	
295-8	5860	5351	4955	4636	4372	4148	3788	3509	3390	2938	2630	2402	2083	
325-8	5969	5451	5048	4723	4454	4227	3860	3575	3455	2994	2680	2449	2123	
355-8	6349	5798	5369	5024	4738	4496	4106	3803	3675	3185	2851	2605	2259	
385-8	6573	6003	5559	5202	4906	4655	4252	3938	3806	3299	2953	2698	2340	
420-8	6968	6363	5893	5514	5200	4935	4507	4175	4034	3497	3131	2861	2481	
455-8	7290	6658	6166	5770	5441	5164	4716	4368	4221	3660	3276	2993	2596	
505-8	7575	6918	6407	5995	5654	5365	4900	4539	4386	3803	3405	3111		
545-8	7933	7245	6710	6279	5922	5619	5133	4754	4594	3983	3566	3258		
595-8	8368	7642	7078	6623	6246	5928	5414	5015	4847	4202	3762	3438		
630-8	8659	7910	7327	6858	6469	6140	5610	5198	5024	4358	3904	3569		
700-8	9197	8401	7782	7283	6870	6521	5958	5521	5336	4629	4147			
630-10	8410	7682	7116	6660	6283	5963	5449	5049	4880	4234	3793	3468		
700-10	9128	8338	7724	7229	6819	6472	5914	5480	5296	4595	4116			
760-10	9348	8540	7912	7406	6987	6632	6061	5616	5429	4711	4222			
860-10	9951	9091	8423	7884	7438	7060	6452	5980	5780	5016				Outside the permitted speed range
950-10	10386	9489	8792	8230	7765	7371	6737	6244	6035	5239				
1035-10	10771	9841	9119	8536	8054	7646	6989	6478	6262					

Ordering example:

ARPEX ARC-8 NHN coupling, size 270-8, with shaft distance S = 1000 mm,
Bore ∅D1 120H7 mm, with keyway to DIN 6885 and set screw,
Bore ∅D2 130K7 mm, with keyway to DIN 6885 and set screw.

Article No.:

2LC0400-2BF99-0AZO-Z

L1S+M1U+Q0Y+M13

clear text to Q0Y **S = 1000 mm**

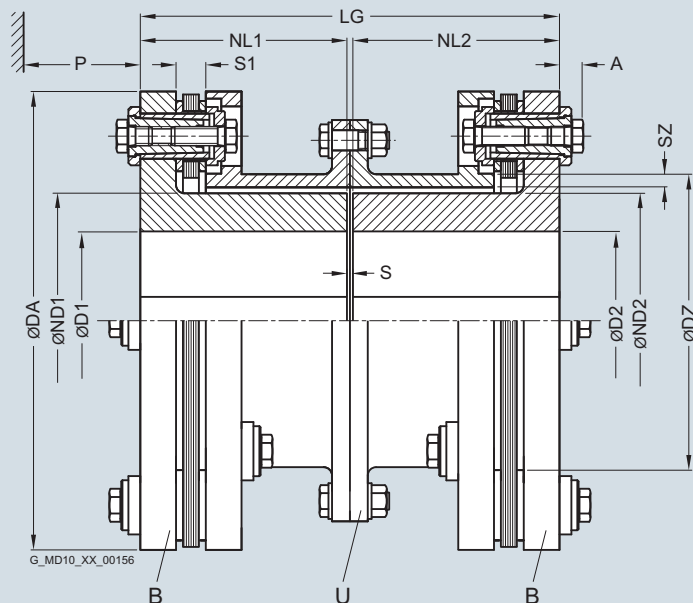
FLENDER Standard Couplings

Torsionally Rigid All-Steel Couplings – ARPEX ARC-8/-10 Series

Type BUB

Selection and ordering data

Torsionally rigid coupling type BUB with split intermediate spacer. Type BUB permits shortest shaft distances.



Size	Rated torque	Maximum speed	Dimensions in mm										Mass moment of inertia	Article No. Order codes for bore diameters and tolerances are specified in catalog section 3	Weight	
			DA	T_{KN}	n_{Kmax}	D1/D2 Keyway DIN 6885 max.	ND1/ ND2	DZ	SZ	NL1/ NL2	S1	Shaft distance S				A
mm	kNm	rpm												kgm ²		kg
225-8	8.5	8500	105	136	150	4.5	90	16	5	12	47	185	0.19	2LC0400-0AF	■ ■ -0AA0	27
255-8	12.7	7500	125	160	175	5.0	100	17	8	13	49	208	0.34	2LC0400-1AF	■ ■ -0AA0	38
270-8	16.5	7000	130	169	185	5.5	100	14	8	13	46	208	0.43	2LC0400-2AF	■ ■ -0AA0	43
295-8	23	6500	135	185	202	6.0	110	17	7	15	55	227	0.70	2LC0400-3AF	■ ■ -0AA0	61
325-8	33	6000	140	195	217	8.5	130	20	10	16	65	270	1.23	2LC0400-4AF	■ ■ -0AA0	90
355-8	45	5500	150	215	238	9.0	135	22	12	19	71	282	1.89	2LC0400-5AF	■ ■ -0AA0	116
385-8	56	5000	180	235	259	9.5	155	25	8	20	79	318	2.87	2LC0400-6AF	■ ■ -0AA0	143
420-8	70	4500	200	260	285	10.0	170	27	10	23	87	350	4.51	2LC0400-7AF	■ ■ -0AA0	187
455-8	88	4200	220	285	311	10.5	180	29	10	23	90	370	6.42	2LC0400-8AF	■ ■ -0AA0	226
505-8	120	3800	245	316	347	12.0	220	31	12	24	97	452	11.1	2LC0401-0AF	■ ■ -0AA0	322
545-8	165	3500	260	334	374	14.5	240	33	16	26	103	496	15.9	2LC0401-1AF	■ ■ -0AA0	400
595-8	210	3200	285	364	408	15.0	260	36	16	27	112	536	24.0	2LC0401-2AF	■ ■ -0AA0	507
630-8	260	3000	300	381	428	17.0	280	58	16	28	150	576	37.4	2LC0401-3AF	■ ■ -0AA0	688
700-8	340	2700	332	431	482	17.5	310	62	20	29	160	640	62.3	2LC0401-4AF	■ ■ -0AA0	936
630-10	340	3000	260	377	428	23.0	280	58	16	28	150	576	41.0	2LC0410-0AF	■ ■ -0AA0	794
700-10	430	2700	310	430	482	24.0	310	62	20	29	160	640	66.4	2LC0410-1AF	■ ■ -0AA0	1023
760-10	550	2500	320	452	512	26.0	330	74	20	34	191	680	104	2LC0410-2AF	■ ■ -0AA0	1354
860-10	770	2200	350	515	579	28.0	380	82	20	38	209	780	191	2LC0410-3AF	■ ■ -0AA0	1993
950-10	1050	2000	400	574	644	31.0	400	92	25	40	233	825	311	2LC0410-4AF	■ ■ -0AA0	2592
1035-10	1450	1850	430	615	698	38.0	420	102	25	42	257	865	477	2LC0410-5AF	■ ■ -0AA0	3332

ØD1: • Without finished bore – Without order codes
• With finished bore – With order codes for diameter and tolerance (article number without "-Z")

ØD2: • Without finished bore – Without order codes
• With finished bore – With order codes for diameter and tolerance (article number without "-Z")

1
91
9

FLENDER Standard Couplings

Torsionally Rigid All-Steel Couplings – ARPEX ARC-8/-10 Series

Type BUB

Split intermediate spacer permits preassembly of the coupling halves at the factory and easy final assembly by the customer (optional).

Power transmission via patented ¹⁾ conical screw connection.

The hubs are standard-manufactured from high-grade steel. In the case of smaller bore diameters higher-grade material is used, depending on the application (additional price).

Weights and mass moments of inertia apply to the entire coupling with maximum bores D1/D2.

Ordering example:

ARPEX ARC-8 BUB coupling, size 270-8,

Bore ØD1 120H7 mm, with keyway to DIN 6885 and set screw,

Bore ØD2 130K7 mm, with keyway to DIN 6885 and set screw.

Article No.:

2LC0400-2AF99-0AA0-Z

L1S+M1U+M13

¹⁾ Protected by patent in a number of countries on the date of creation of this catalog.

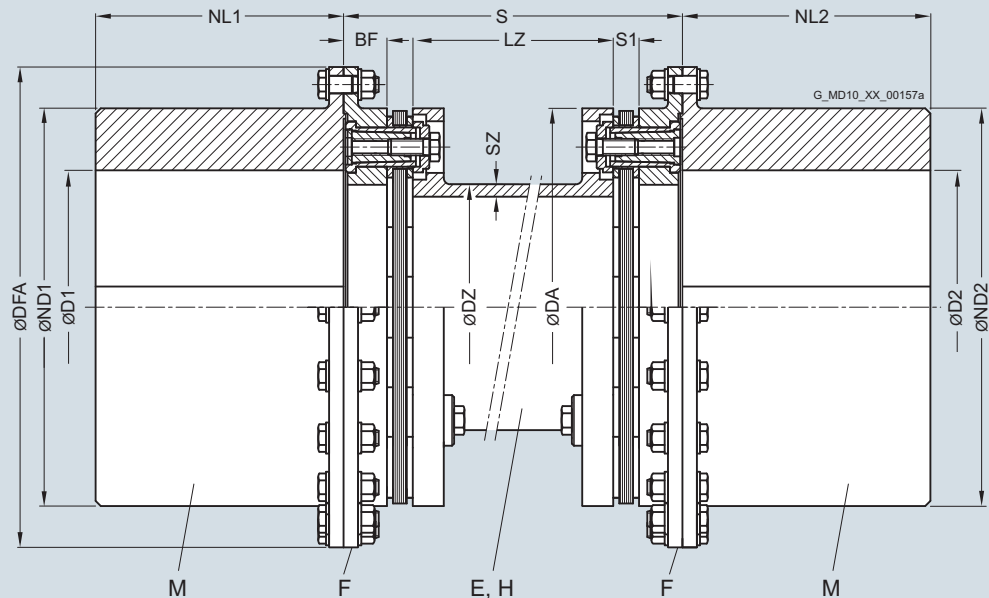
FLENDER Standard Couplings

Torsionally Rigid All-Steel Couplings – ARPEX ARC-8/-10 Series

Types MFEFM/MFHFM

Selection and ordering data

Torsionally rigid coupling types MFEFM and MFHFM with radially freely dismountable FEF or FHF transmission unit and variable spacer length. Power transmission via patented ¹⁾ conical screw connection.



Size	Rated torque	Maximum speed	Type	Dimensions in mm										Mass moment of inertia	Article No. Order codes for bore diameters and tolerances are specified in catalog section 3	Weight
				DA	D1/D2 Keyway DIN 6885	ND1/ ND2	DFA	DZ	SZ	NL1/ NL2	S1	LZ min.	S min.			
mm	kNm	rpm		max.									kgm ²		kg	
225-8	8.5	8500	MFEFM	160	225	283	135.0	6.0	170	16	91	171	24	0.81	2LC0400-0AV ■ ■ -0AZ0	81
			MFHFM				139.7	8.0			240	320		0.83	2LC0400-0AX ■ ■ -0AZ0	85
255-8	12.7	7500	MFEFM	180	255	313	147.0	7.0	180	17	94	178	25	1.37	2LC0400-1AV ■ ■ -0AZ0	109
			MFHFM				152.4	8.8			250	334		1.39	2LC0400-1AX ■ ■ -0AZ0	114
270-8	16.5	7000	MFEFM	195	270	328	172.0	7.0	185	14	96	176	26	1.70	2LC0400-2AV ■ ■ -0AZ0	119
			MFHFM				177.8	7.1			300	380		1.74	2LC0400-2AX ■ ■ -0AZ0	125
295-8	23	6500	MFEFM	210	295	353	188.0	8.0	190	17	121	215	30	2.55	2LC0400-3AV ■ ■ -0AZ0	153
			MFHFM				193.7	8.8			310	404		2.62	2LC0400-3AX ■ ■ -0AZ0	161
325-8	33	6000	MFEFM	230	325	389	197.0	10.5	210	20	134	246	36	4.30	2LC0400-4AV ■ ■ -0AZ0	215
			MFHFM				203.0	12.5			380	492		4.45	2LC0400-4AX ■ ■ -0AZ0	231
355-8	45	5500	MFEFM	255	355	419	222.0	11.0	230	22	145	267	39	6.45	2LC0400-5AV ■ ■ -0AZ0	270
			MFHFM				229.0	12.5			390	512		6.65	2LC0400-5AX ■ ■ -0AZ0	288
385-8	56	5000	MFEFM	275	385	465	238.0	12.0	250	25	151	285	42	10.0	2LC0400-6AV ■ ■ -0AZ0	354
			MFHFM				244.5	14.2			450	584		10.4	2LC0400-6AX ■ ■ -0AZ0	379
420-8	70	4500	MFEFM	300	420	507	266.0	12.0	270	27	177	325	47	15.3	2LC0400-7AV ■ ■ -0AZ0	454
			MFHFM				273.0	14.2			470	618		15.8	2LC0400-7AX ■ ■ -0AZ0	483
455-8	88	4200	MFEFM	325	455	542	291.0	13.0	295	29	180	334	48	22.2	2LC0400-8AV ■ ■ -0AZ0	563
			MFHFM				298.5	14.2			470	624		22.8	2LC0400-8AX ■ ■ -0AZ0	593
505-8	120	3800	MFEFM	361	505	601	315.0	15.0	325	31	188	354	52	37.9	2LC0401-0AV ■ ■ -0AZ0	773
			MFHFM				323.9	17.5			590	756		39.2	2LC0401-0AX ■ ■ -0AZ0	829
545-8	165	3500	MFEFM	389	545	641	346.0	17.0	350	33	202	378	55	54.3	2LC0401-1AV ■ ■ -0AZ0	959
			MFHFM				355.6	20.0			600	776		56.2	2LC0401-1AX ■ ■ -0AZ0	1029
595-8	210	3200	MFEFM	425	595	691	384.0	18.0	385	36	212	404	60	82.8	2LC0401-2AV ■ ■ -0AZ0	1236
			MFHFM				394.0	20.0			610	802		85.5	2LC0401-2AX ■ ■ -0AZ0	1310

¹⁾ Protected by patent in a number of countries on the date of creation of this catalog.

FLENDER Standard Couplings

Torsionally Rigid All-Steel Couplings – ARPEX ARC-8/-10 Series

Types MFEFM/MFHFM

Size	Rated torque T_{KN}	Maximum speed n_{Kmax}	Type	Dimensions in mm										Mass moment of inertia J	Article No. Order codes for bore diameters and tolerances are specified in catalog section 3	Weight m	
				D1/D2 Keyway DIN 6885	ND1/ ND2	DFA	DZ	SZ	NL1/ NL2	S1	LZ min.	S min.	BF				
mm	kNm	rpm		max.										kgm ²		kg	
630-8	260	3000	MFEFM	450	630	736	409.0	19.0	405	58	281	549	76	116	2LC0401-3AV	-0AZ0	1567
			MFHFM				419.0	20.0			630	898		119	2LC0401-3AX	-0AZ0	1634
700-8	340	2700	MFEFM	500	700	816	459.0	19.0	450	62	300	586	81	194	2LC0401-4AV	-0AZ0	2106
			MFHFM				470.0	20.0			700	986		198	2LC0401-4AX	-0AZ0	2192
630-10	340	3000	MFEFM	450	630	746	396.0	29.0	405	58	281	549	76	121	2LC0410-0AV	-0AZ0	1631
			MFHFM				406.4	30.0			630	898		125	2LC0410-0AX	-0AZ0	1727
700-10	430	2700	MFEFM	500	700	816	459.0	26.0	450	62	300	586	81	197	2LC0410-1AV	-0AZ0	2136
			MFHFM				470.0	30.0			700	986		203	2LC0410-1AX	-0AZ0	2273
760-10	550	2500	MFEFM	545	760	878	483.0	30.0	490	74	359	701	97	301	2LC0410-2AV	-0AZ0	2810
			MFHFM				495.0	30.0			760	1102		308	2LC0410-2AX	-0AZ0	2940
860-10	770	2200	MFEFM	615	860	991	546.0	33.0	555	82	393	769	106	547	2LC0410-3AV	-0AZ0	3993
			MFHFM				559.0	36.0			860	1236		563	2LC0410-3AX	-0AZ0	4213
950-10	1050	2000	MFEFM	680	950	1083	596.0	38.0	615	92	437	857	118	892	2LC0410-4AV	-0AZ0	5368
			MFHFM				610.0	40.0			950	1370		916	2LC0410-4AX	-0AZ0	5654
1035-10	1450	1850	MFEFM	740	1035	1168	645.0	46.0	670	102	481	947	131	1371	2LC0410-5AV	-0AZ0	7005
			MFHFM				660.4	50.0			1035	1501		1412	2LC0410-5AX	-0AZ0	7432

- ØD1:
- Without finished bore – Without order codes
 - With finished bore – With order codes for diameter and tolerance (article number without "-Z")
- ØD2:
- Without finished bore – Without order codes
 - With finished bore – With order codes for diameter and tolerance (article number without "-Z")

1
9
1
9

FEF or FHF transmission unit preassembled at the factory enables easy final assembly by the customer.

In the case of individual order of the intermediate spacer, the length (LZ) must be specified.

The permitted length of the intermediate spacer depends on the maximum operating speed of the coupling (see following table).

Weights and mass moments of inertia apply to the entire coupling with maximum bores D1/D2 and S = S min.

Permitted shaft distance S of type MFHFM relative to speed

Size	Speed n_N													
	rpm	500	600	700	800	900	1000	1200	1400	1500	2000	2500	3000	4000
	Permitted shaft distance S													
	mm													
225-8	5010	4579	4244	3974	3751	3562	3257	3020	2920	2537	2276	2083	1813	
255-8	5220	4771	4422	4141	3908	3711	3393	3147	3042	2644	2372	2171	1889	
270-8	5660	5172	4793	4488	4235	4021	3677	3409	3295	2863	2568	2350	2044	
295-8	5920	5411	5015	4696	4432	4208	3848	3569	3450	2998	2690	2462	2143	
325-8	6041	5523	5120	4795	4526	4299	3932	3647	3527	3066	2752	2521	2195	
355-8	6427	5876	5447	5102	4816	4574	4184	3881	3753	3263	2929	2683	2337	
385-8	6657	6087	5643	5286	4990	4739	4336	4022	3890	3383	3037	2782	2424	
420-8	7062	6457	5987	5608	5294	5029	4601	4269	4128	3591	3225	2955	2575	
455-8	7386	6754	6262	5866	5537	5260	4812	4464	4317	3756	3372	3089	2692	
505-8	7679	7022	6511	6099	5758	5469	5004	4643	4490	3907	3509	3215		
545-8	8043	7355	6820	6389	6032	5729	5243	4864	4704	4093	3676	3368		
595-8	8488	7762	7198	6743	6366	6048	5534	5135	4967	4322	3882	3558		
630-8	8811	8062	7479	7010	6621	6292	5762	5350	5176	4510	4056	3721		
700-8	9359	8563	7944	7445	7032	6683	6120	5683	5498	4791	4309			
630-10	8562	7834	7268	6812	6435	6115	5601	5201	5032	4386	3945	3620		
700-10	9290	8500	7886	7391	6981	6634	6076	5642	5458	4757	4278			
760-10	9542	8734	8106	7600	7181	6826	6255	5810	5623	4905	4416			
860-10	10163	9303	8635	8096	7650	7272	6664	6192	5992	5228				Outside the permitted speed range
950-10	10622	9725	9028	8466	8001	7607	6973	6480	6271	5475				
1035-10	11033	10103	9381	8798	8316	7908	7251	6740	6524					

Ordering example:

ARPEX ARC-8 MFHFM coupling, size 270-8, with shaft distance S = 1000 mm,
Bore ØD1 150H7 mm, with keyway to DIN 6885 and set screw,
Bore ØD2 160K7 mm, with keyway to DIN 6885 and set screw.

Article No.:

2LC0400-2AX99-0AZ0-Z

L1W+M1X+Q0Y+M13

clear text to Q0Y: **S = 1000 mm**

FLENDER Standard Couplings

Torsionally Rigid All-Steel Couplings – ARPEX ARC-8/-10 Series

Spare and wear parts
Plate pack ARC-8/-10

Selection and ordering data

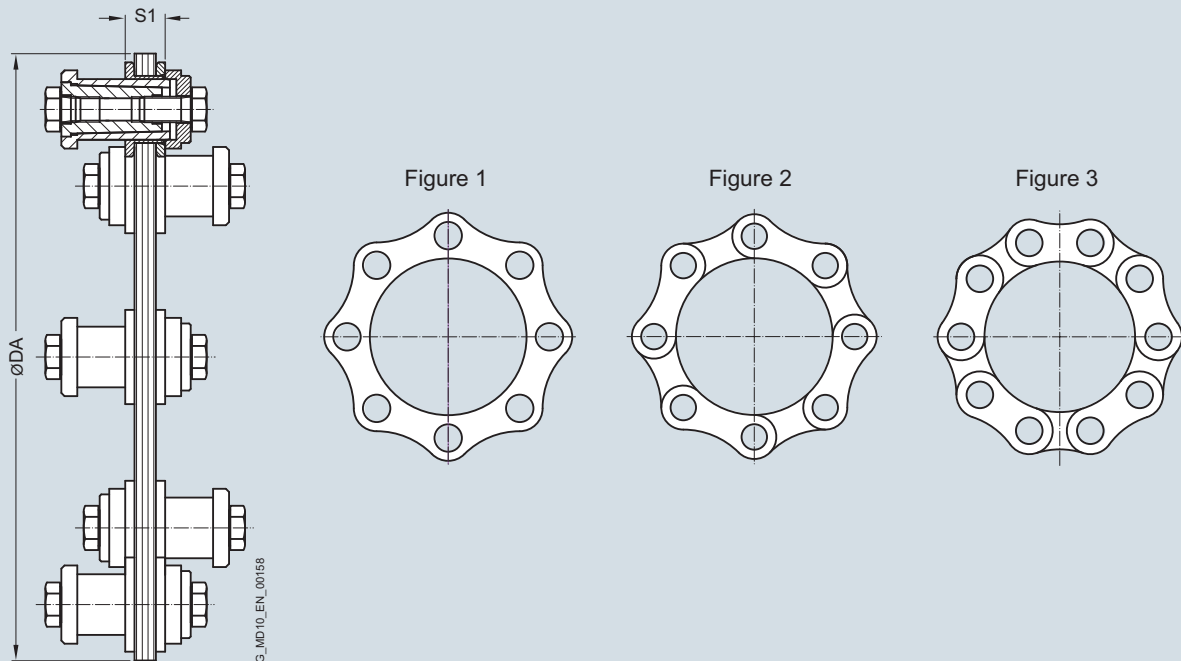


Plate packs of the ARC-8 series up to size 595-8 comprise ring plates (Fig. 1) and from size 630-8 side-bar plates (Fig. 2).

Plate packs of the ARC-10 series in all sizes comprise side-bar plates (Fig. 3).

Dimensions in mm		Plate pack Series	Mass moment of inertia J kgm ²	Article No.	Weight m kg
Size	S1				
225-8	16	ARC-8	0.02	2LC0400-0AT00-0AA0	2.4
255-8	17	ARC-8	0.03	2LC0400-1AT00-0AA0	3.1
270-8	14	ARC-8	0.04	2LC0400-2AT00-0AA0	3.4
295-8	17	ARC-8	0.07	2LC0400-3AT00-0AA0	4.8
325-8	20	ARC-8	0.12	2LC0400-4AT00-0AA0	7.2
355-8	22	ARC-8	0.20	2LC0400-5AT00-0AA0	9.8
385-8	25	ARC-8	0.30	2LC0400-6AT00-0AA0	12.7
420-8	27	ARC-8	0.46	2LC0400-7AT00-0AA0	16.2
455-8	29	ARC-8	0.64	2LC0400-8AT00-0AA0	19.2
505-8	31	ARC-8	1.01	2LC0401-0AT00-0AA0	24.5
545-8	33	ARC-8	1.47	2LC0401-1AT00-0AA0	30.8
595-8	36	ARC-8	2.26	2LC0401-2AT00-0AA0	39.8
630-8	58	ARC-8	4.03	2LC0401-3AT00-0AA0	67.2
700-8	62	ARC-8	6.33	2LC0401-4AT00-0AA0	84.5
630-10	58	ARC-10	5.00	2LC0410-0AT00-0AA0	78.0
700-10	62	ARC-10	7.85	2LC0410-1AT00-0AA0	98.0
760-10	74	ARC-10	13.73	2LC0410-2AT00-0AA0	147
860-10	82	ARC-10	24.49	2LC0410-3AT00-0AA0	203
950-10	92	ARC-10	41.26	2LC0410-4AT00-0AA0	277
1035-10	102	ARC-10	65.64	2LC0410-5AT00-0AA0	374

The plate pack of the ARC-8/-10 series is readily available as a spare part.

The plate pack is delivered with conical screw connection.

Ordering example:
ARPEX ARC-8 plate pack, size 225-8,
complete with screw connection

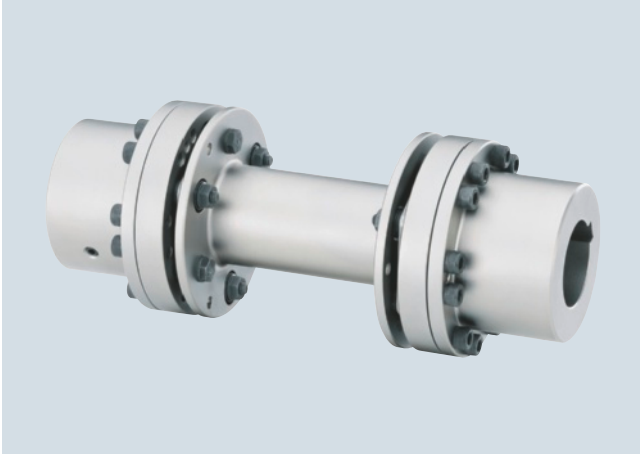
Article No.:
2LC0400-0AT00-0AA0

FLENDER Standard Couplings

Torsionally Rigid All-Steel Couplings – ARPEX ARP-6 Series

General information

Overview



Coupling can be used in potentially explosive atmospheres in accordance with the current ATEX Directive.

Benefits

ARPEX couplings of the ARP-6 series are outstanding for their application-optimized construction. The two types NAN and MCECM have been specially designed for drives with uniform to medium loads and at the same time meet the requirements of API 610. The type MCECM with preassembled CEC intermedi-

ate unit can also be optionally designed to API 671. A special catcher device serves to secure the intermediate spacer in the event of plate breakage. Their use in potentially explosive atmospheres in accordance with the current ATEX Directive is possible.

Application

ARPEX series ARP-6 couplings have been specially developed for pump drives and specifically for centrifugal pump drives. Special care was taken to meet the requirements of API 610 and API 671 (API = American Petroleum Institute). Power is transmitted via close-fitting bolts and nuts from size 310-6 with conical screw connection and plate packs in hexagonal design. Torques of between 100 and 17000 Nm can be transmitted at a permitted angular misalignment of 0.7°. The closed flange shape and a compact construction permit high peripheral speeds and high speeds. The intermediate spacer can be fitted radially without moving the connected units.

Main areas of application for the ARP-6 series:

- Centrifugal pumps
- Boiler feed pumps
- Propeller pumps
- Wing pumps
- Pipeline pumps
- Turbo compressors
- Screw compressors
- Turbo blowers
- Axial, radial blowers
- Rotary-piston blowers
- Fans

6

FLENDER Standard Couplings

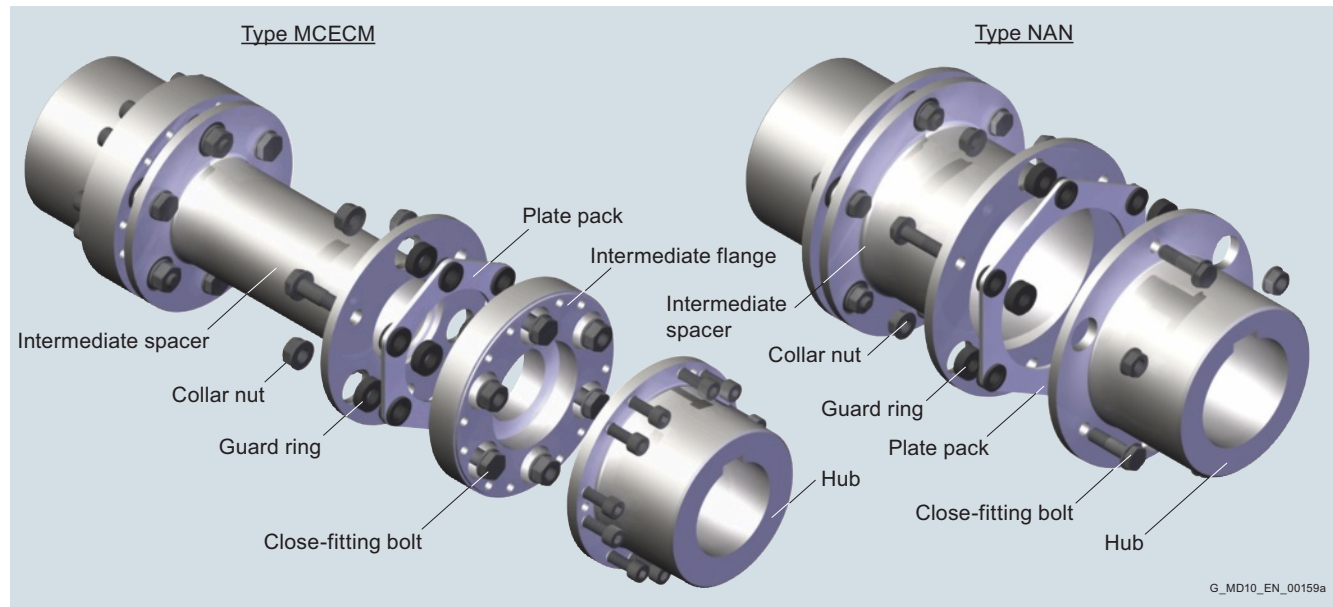
Torsionally Rigid All-Steel Couplings – ARPEX ARP-6 Series

General information

Design

NAN: The design of an ARPEX NAN coupling of the ARP-6 series is shown in the following illustration. The plate packs are bolted alternately between the flanges of the coupling hubs and the intermediate spacer. Up to size 298-6 close-fitting bolts and from size 325-6 conical screw connections are used for fastening. The intermediate spacer is available from stock in various fixed lengths. Hubs are designed with threaded pull-off holes.

MCECM: The design of an ARPEX MCECM coupling of the ARP-6 series is shown in the following illustration. Bolted between two hubs is the CEC transmission unit, the preassembled plate packs of which are bolted alternately between flanges and intermediate spacer. Up to size 275-6 close-fitting bolts and from size 310-6 conical screw connections are used for fastening. The intermediate spacer is available from stock in various fixed lengths. Jumbo hubs for large bore diameters can be optionally used.



Design of the ARPEX coupling, ARP-6 series

Variants of the ARPEX coupling, ARP-6 series

Types	
NAN	Variant with intermediate spacer, various fixed lengths available from stock
MCECM	Variant with preassembled intermediate unit and spacer machined on all sides, various fixed lengths available from stock

Further application-specific coupling types are available in selection module **X.CAT NG** at www.siemens.com/couplings. Dimension sheets and further information are available on request.

Technical data

Power ratings, type NAN

Size	Rated torque T_{KN} Nm	Maximum torque T_{Kmax} Nm	Overload torque T_{KOL} Nm	Fatigue torque T_{KW} Nm	Maximum speed n_{Kmax} rpm	Maximum permitted shaft misalignment					Torsional stiffness						
						$\pm\Delta K_a$	$\pm\Delta K_w$	$\pm\Delta K_r$	C_T								
									S = 100 mm	S = 140 mm	S = 180 mm	S = 200 mm	S = 250 mm	S = 100 mm	S = 140 mm	S = 180 mm	S = 200 mm
88-6	190	270	450	70	21700	1.10	0.7°	1.15	1.64	–	–	–	0.04	0.04	–	–	–
115-6	270	410	680	110	16600	1.81		1.15	1.64	2.13	–	–	0.09	0.09	0.08	–	–
135-6	580	870	1450	230	12700	2.02		1.14	1.62	2.11	–	–	0.21	0.19	0.17	–	–
150-6	660	1000	1650	270	11400	2.41		1.14	1.62	2.11	2.36	2.97	0.27	0.25	0.24	0.23	0.21
176-6	1220	1900	3100	490	9750	2.75		1.11	1.6	2.09	2.33	2.94	0.44	0.40	0.38	0.36	0.34
185-6	1875	2900	4700	750	9300	2.85		1.09	1.58	2.06	2.31	2.92	0.56	0.52	0.49	0.47	0.44
212-6	2850	4230	7200	1200	8100	3.06		1.10	1.59	2.08	2.32	2.93	0.81	0.75	0.70	0.67	0.62
225-6	4200	6300	10500	1700	7650	3.14		–	1.59	2.08	2.32	2.93	–	0.85	0.81	0.79	0.74
256-6	5750	8700	15000	2300	6700	3.69		–	1.56	2.05	2.3	2.91	–	1.37	1.31	1.29	1.22
272-6	8050	12000	20000	3200	6300	3.85		–	1.51	2	2.25	2.86	–	1.44	1.39	1.36	1.3
298-6	10000	15000	25000	4000	5150	4.19		–	1.47	1.95	2.2	2.81	–	1.47	1.43	1.41	1.37
325-6	12000	18000	30000	4800	4700	4.45		–	–	1.93	2.17	2.79	–	–	2.48	2.44	2.34

FLENDER Standard Couplings

Torsionally Rigid All-Steel Couplings – ARPEX ARP-6 Series

General information

Power ratings, type MCECM

Size	Rated torque T_{KN} Nm	Maximum torque T_{Kmax} Nm	Overload torque T_{KOL} Nm	Fatigue torque T_{KW} Nm	Maximum speed n_{Kmax} rpm	Maximum permitted shaft misalignment					Torsional stiffness						
						$\pm\Delta K_a$ mm	$\pm\Delta K_w$	$\pm\Delta K_r$	C_T								
									S = 100 mm	S = 140 mm	S = 180 mm	S = 200 mm	S = 250 mm	S = 100 mm	S = 140 mm	S = 180 mm	S = 200 mm
64-4	100	150	250	40	22500	0.80	0.7°	0.78	1.27	–	–	–	0.009	0.008	–	–	–
96-6	210	310	530	85	19900	1.15		0.78	1.27	–	–	–	0.06	0.05	–	–	–
120-6	490	740	1250	200	15900	1.47		0.65	1.14	1.62	–	–	0.17	0.15	0.13	–	–
142-6	925	1400	2300	370	13400	1.73		–	1.04	1.53	–	–	–	0.28	0.25	–	–
162-6	1600	2400	4000	640	11800	2.07		–	0.92	1.40	1.65	2.26	–	0.43	0.39	0.38	0.34
190-6	2500	3800	6300	1000	10000	2.36		–	0.93	1.42	1.66	2.27	–	0.71	0.65	0.63	0.57
214-6	3900	5900	9800	1600	8900	2.67		–	0.78	1.27	1.51	2.13	–	1.01	0.94	0.92	0.85
230-6	5200	7800	13000	2100	8300	2.88		–	–	1.25	1.49	2.10	–	–	1.36	1.32	1.22
245-6	7000	10500	18000	2800	7800	2.99		–	–	1.00	1.25	1.86	–	–	1.49	1.45	1.37
275-6	9800	15000	25000	4000	6250	3.38		–	–	–	1.22	1.83	–	–	–	1.65	1.58
310-6	12900	20000	33000	5200	5550	3.85		–	–	–	–	1.64	–	–	–	–	2.96
345-6	17000	26000	43000	6800	5000	4.24		–	–	–	–	1.61	–	–	–	–	4.12

The permitted shaft misalignments ΔK_a , ΔK_r and ΔK_w are maximum values and must not occur at the same time (see following table). The permitted shaft misalignment ΔK_r applies to the shaft distance S specified in each case.

T_{Kmax} permitted only five times per hour.

The values for torsional stiffness apply to the complete coupling. The torsional stiffness of the plate packs applies to the rated coupling torque T_{KN} . To determine the torsional stiffness for a specific operating point, e.g. for calculating torsional vibration, the manufacturer must be consulted.

Permitted shaft misalignments, type NAN

Size	Permitted angular misalignment $\pm\Delta K_w$								
	0.0°	0.1°	0.2°	0.3°	0.4°	0.5°	0.6°	0.7°	
	Permitted axial misalignment $\pm\Delta K_a$ in mm								
88-6	1.10	0.94	0.79	0.63	0.47	0.31	0.16	0.00	
115-6	1.81	1.55	1.29	1.03	0.77	0.52	0.26	0.00	
135-6	2.02	1.73	1.44	1.15	0.86	0.58	0.29	0.00	
150-6	2.41	2.06	1.72	1.38	1.03	0.69	0.34	0.00	
176-6	2.75	2.36	1.96	1.57	1.18	0.79	0.39	0.00	
185-6	2.85	2.45	2.04	1.63	1.22	0.82	0.41	0.00	
212-6	3.06	2.63	2.19	1.75	1.31	0.88	0.44	0.00	
225-6	3.14	2.69	2.24	1.80	1.35	0.90	0.45	0.00	
256-6	3.69	3.16	2.64	2.11	1.58	1.05	0.53	0.00	
272-6	3.85	3.30	2.75	2.20	1.65	1.10	0.55	0.00	
298-6	4.19	3.59	2.99	2.39	1.80	1.20	0.60	0.00	
325-6	4.45	3.82	3.18	2.54	1.91	1.27	0.64	0.00	

Permitted shaft misalignments, type MCECM

Size	Permitted angular misalignment $\pm\Delta K_w$								
	0.0°	0.1°	0.2°	0.3°	0.4°	0.5°	0.6°	0.7°	
	Permitted axial misalignment $\pm\Delta K_a$ in mm								
64-4	0.80	0.68	0.57	0.46	0.34	0.23	0.11	0.00	
96-6	1.15	0.99	0.82	0.66	0.49	0.33	0.16	0.00	
120-6	1.47	1.26	1.05	0.84	0.63	0.42	0.21	0.00	
142-6	1.73	1.48	1.23	0.99	0.74	0.49	0.25	0.00	
162-6	2.07	1.77	1.48	1.18	0.89	0.59	0.30	0.00	
190-6	2.36	2.02	1.68	1.35	1.01	0.67	0.34	0.00	
214-6	2.67	2.29	1.91	1.53	1.14	0.76	0.38	0.00	
230-6	2.88	2.47	2.06	1.65	1.23	0.82	0.41	0.00	
245-6	2.99	2.56	2.13	1.71	1.28	0.85	0.43	0.00	
275-6	3.38	2.90	2.41	1.93	1.45	0.97	0.48	0.00	
310-6	3.85	3.30	2.75	2.20	1.65	1.10	0.55	0.00	
345-6	4.24	3.64	3.03	2.42	1.82	1.21	0.61	0.00	

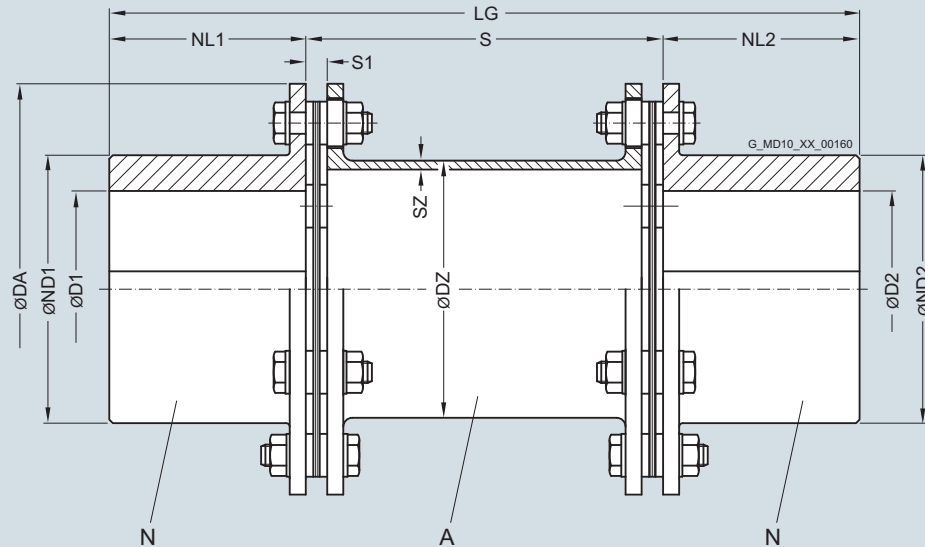
FLENDER Standard Couplings

Torsionally Rigid All-Steel Couplings – ARPEX ARP-6 Series

Type NAN

Selection and ordering data

Torsionally rigid type NAN coupling with radially freely dismountable intermediate spacer and catcher device for securing the intermediate spacer in the event of plate breakage. Standard coupling type in accordance with **API 610**.



Size	Rated torque	Maximum speed	Dimensions in mm							Shaft distance	Mass moment of inertia	Article No. Order codes for bore diameters and tolerances are specified in catalog section 3	Weight	
			DA	ND1	ND2	DZ	SZ	NL1/NL2	S1					S
mm	Nm	rpm	D1/D2 Keyway DIN 6885 max.								kgm ²		kg	
88-6	190	21700	35	48	45	2.5	40	6	100	180	0.001	2LC0450-0AD	-0AA0	1.6
									140	220	0.001	2LC0450-0AD	-0AB0	1.7
									140	250	0.005	2LC0450-1AD	-0AA0	3.2
115-6	270	16600	55	75	72	2.5	55	6	100	210	0.005	2LC0450-1AD	-0AB0	3.4
									140	250	0.005	2LC0450-1AD	-0AC0	3.6
									180	290	0.005	2LC0450-1AD	-0AD0	3.6
135-6	580	12700	65	86	84	2.5	65	7	100	230	0.011	2LC0450-2AD	-0AA0	5.2
									140	270	0.012	2LC0450-2AD	-0AB0	5.4
									180	310	0.012	2LC0450-2AD	-0AC0	5.6
150-6	660	11400	75	101	99	2.5	75	7	100	250	0.019	2LC0450-3AD	-0AA0	7.2
									140	290	0.020	2LC0450-3AD	-0AB0	7.5
									180	330	0.021	2LC0450-3AD	-0AC0	7.7
									200	350	0.021	2LC0450-3AD	-0AD0	7.8
									250	400	0.022	2LC0450-3AD	-0AE0	8.1
176-6	1220	9750	85	117	114	2.5	85	9	100	270	0.041	2LC0450-4AD	-0AA0	11.4
									140	310	0.042	2LC0450-4AD	-0AB0	11.7
									180	350	0.043	2LC0450-4AD	-0AC0	12.0
									200	370	0.044	2LC0450-4AD	-0AD0	12.1
									250	420	0.045	2LC0450-4AD	-0AE0	12.4
185-6	1875	9300	90	122	120	3.0	90	11	100	280	0.056	2LC0450-5AD	-0AA0	13.5
									140	320	0.057	2LC0450-5AD	-0AB0	13.9
									180	360	0.058	2LC0450-5AD	-0AC0	14.2
									200	380	0.058	2LC0450-5AD	-0AD0	14.4
									250	430	0.060	2LC0450-5AD	-0AE0	14.8

FLENDER Standard Couplings

Torsionally Rigid All-Steel Couplings – ARPEX ARP-6 Series

Type NAN

Size	Rated torque	Maximum speed	Dimensions in mm						Shaft distance	Mass moment of inertia	Article No. Order codes for bore diameters and tolerances are specified in catalog section 3	Weight	
			D1/D2 Keyway DIN 6885 max.	ND1/ND2	DZ	SZ	NL1/ NL2	S1					S
mm	Nm	rpm								kgm ²		kg	
212-6	2850	8100	100	134	131	3.0	100	10	100	300	0.095	2LC0450-6AD ■ ■ ■ -0AA0	18.3
									140	340	0.097	2LC0450-6AD ■ ■ ■ -0AB0	18.6
									180	380	0.098	2LC0450-6AD ■ ■ ■ -0AC0	19.0
									200	400	0.099	2LC0450-6AD ■ ■ ■ -0AD0	19.2
									250	450	0.101	2LC0450-6AD ■ ■ ■ -0AE0	19.7
225-6	4200	7650	105	141	139	4.0	105	10	140	350	0.134	2LC0450-7AD ■ ■ ■ -0AB0	22.8
									180	390	0.136	2LC0450-7AD ■ ■ ■ -0AC0	23.3
									200	410	0.137	2LC0450-7AD ■ ■ ■ -0AD0	23.6
									250	460	0.140	2LC0450-7AD ■ ■ ■ -0AE0	24.2
256-6	5750	6700	120	163	162	5.0	120	12	140	380	0.262	2LC0450-8AD ■ ■ ■ -0AB0	34.3
									180	420	0.267	2LC0450-8AD ■ ■ ■ -0AC0	35.1
									200	440	0.270	2LC0450-8AD ■ ■ ■ -0AD0	35.5
									250	490	0.276	2LC0450-8AD ■ ■ ■ -0AE0	36.5
272-6	8050	6300	125	171	170	5.0	130	16	140	400	0.373	2LC0451-0AD ■ ■ ■ -0AB0	42.9
									180	440	0.378	2LC0451-0AD ■ ■ ■ -0AC0	43.7
									200	460	0.381	2LC0451-0AD ■ ■ ■ -0AD0	44.1
									250	510	0.388	2LC0451-0AD ■ ■ ■ -0AE0	45.1
298-6	10000	5150	140	189	186	6.0	140	20	140	420	0.559	2LC0451-1AD ■ ■ ■ -0AB0	53.6
									180	460	0.567	2LC0451-1AD ■ ■ ■ -0AC0	54.7
									200	480	0.572	2LC0451-1AD ■ ■ ■ -0AD0	55.2
									250	530	0.582	2LC0451-1AD ■ ■ ■ -0AE0	56.5
325-6	12000	4700	150	203	200	6.5	150	22	180	480	0.851	2LC0451-2AD ■ ■ ■ -0AC0	69.4
									200	500	0.857	2LC0451-2AD ■ ■ ■ -0AD0	70.0
									250	550	0.872	2LC0451-2AD ■ ■ ■ -0AE0	71.6

∅D1: • Without finished bore – Without order codes

• With finished bore – With order codes for diameter and tolerance (article number without "-Z")

1

9

∅D2: • Without finished bore – Without order codes

• With finished bore – With order codes for diameter and tolerance (article number without "-Z")

1

9

Hubs are designed with threaded pull-off holes.
Type NAN with spacer machined on all sides, available in various standard lengths.

A spacers are also available in the following inch dimensions:
S = 3.5"/5"/7"/8"/10".

Other spacer lengths are available on request.

Weights and mass moments of inertia apply to the entire coupling with maximum bores D1/D2.

Ordering example:

ARPEX ARP-6 NAN coupling, size 135-6, with shaft distance S = 140 mm,
Bore ∅D1 50H7 mm, with keyway to DIN 6885 and set screw,
Bore ∅D2 60K7 mm, with keyway to DIN 6885 and set screw.

Article No.:

2LC0450-2AD99-0AB0-Z
L1C+M1E+M13

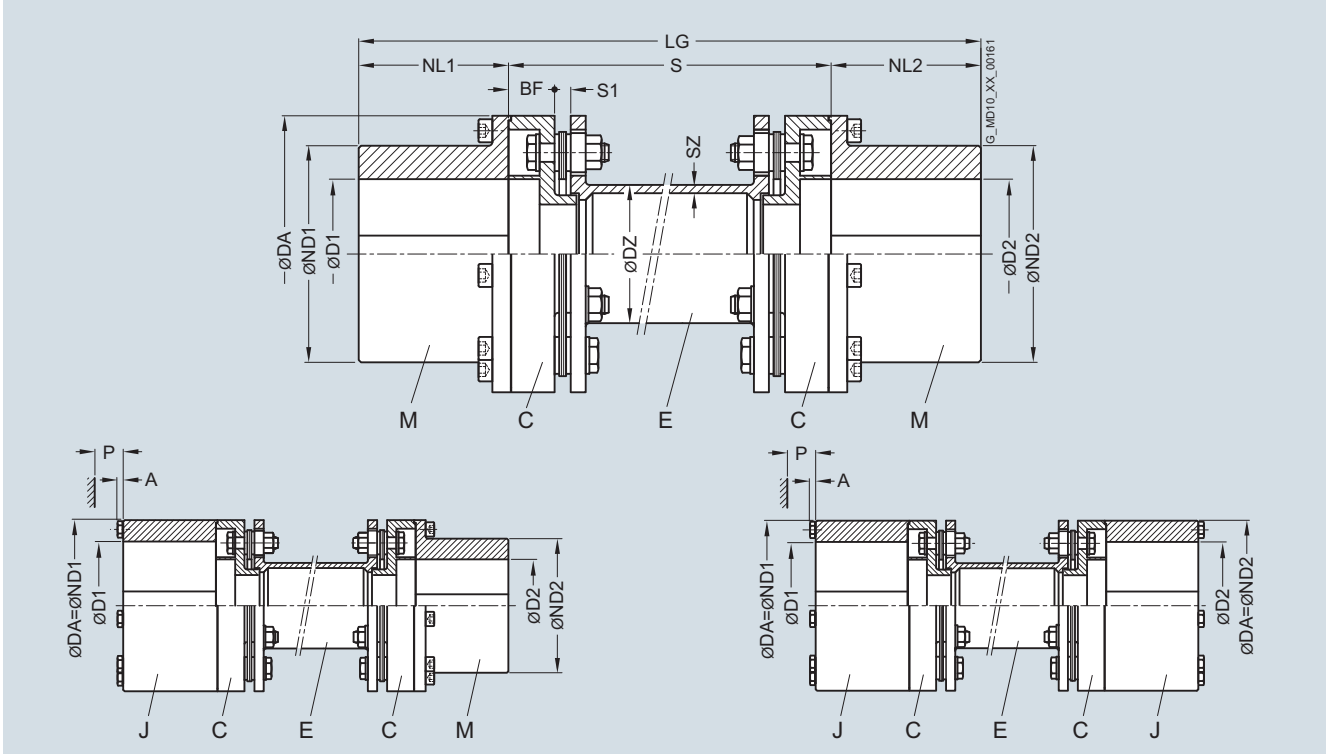
FLENDER Standard Couplings

Torsionally Rigid All-Steel Couplings – ARPEX ARP-6 Series

Type MCECM

Selection and ordering data

Torsionally rigid type MCECM coupling with radially freely dismountable intermediate unit and catcher device for securing the intermediate spacer in the event of plate breakage. Standard coupling type in accordance with **API 610**. Coupling type in accordance with **API 671** possible.



Size	Rated torque	Maximum speed	Type	Dimensions in mm													Mass moment of inertia	Article No.	Weight
DA	T_{KN}	n_{Kmax}		D1/D2	ND1	ND2	DZ	SZ	NL1/ NL2	S1	BF	A	P	S	LG	J	Order codes for bore diameters and tolerances are specified in catalog section 3	m	
mm	Nm	rpm		max.	max.											kgm ²		kg	
64-4	100	22500	JCECJ	46	46	64	64	28	3.0	25	6	14.5	5	42	100	150	0.001	2LC0460-0AG ■ ■ -0AA0	1.6
				140	190	0.001	2LC0460-0AG ■ ■ -0AB0	1.7											
				140	240	0.005	2LC0460-1AP ■ ■ -0AB0	3.9											
96-6	210	19900	MCECM	50	50	70	70	45	2.5	50	6	15	-	-	100	200	0.004	2LC0460-1AP ■ ■ -0AA0	3.8
				140	240	0.005	2LC0460-1AP ■ ■ -0AB0	3.9											
				6	68	100	200	0.006	2LC0460-1AH ■ ■ -0AA0	4.4									
			JCECM	65	50	96	70	140	240	0.006	2LC0460-1AH ■ ■ -0AB0	4.5							
				JCECJ	65	65	96	96	100	200	0.008	2LC0460-1AG ■ ■ -0AA0	5.0						
					140	240	0.008	2LC0460-1AG ■ ■ -0AB0	5.1										
120-6	490	15900	MCECM	65	65	94	94	60	3.6	65	7	20	-	-	100	230	0.016	2LC0460-2AP ■ ■ -0AA0	8.1
				140	270	0.016	2LC0460-2AP ■ ■ -0AB0	8.3											
				6	88	180	310	0.016	2LC0460-2AP ■ ■ -0AC0	8.5									
			JCECM	80	65	120	94	100	230	0.020	2LC0460-2AH ■ ■ -0AA0	9.1							
				140	270	0.020	2LC0460-2AH ■ ■ -0AB0	9.3											
				180	310	0.020	2LC0460-2AH ■ ■ -0AC0	9.5											
			JCECJ	80	80	120	120	100	230	0.025	2LC0460-2AG ■ ■ -0AA0	10.2							
				140	270	0.025	2LC0460-2AG ■ ■ -0AB0	10.4											
				180	310	0.025	2LC0460-2AG ■ ■ -0AC0	10.6											
142-6	925	13400	MCECM	75	75	109	109	72	4.8	75	9	23	-	-	140	290	0.035	2LC0460-3AP ■ ■ -0AB0	13.2
				180	330	0.035	2LC0460-3AP ■ ■ -0AC0	13.6											
				8	100	140	290	0.045	2LC0460-3AH ■ ■ -0AB0	15.0									
			JCECM	95	75	142	109	180	330	0.046	2LC0460-3AH ■ ■ -0AC0	15.3							
				JCECJ	95	95	142	142	140	290	0.055	2LC0460-3AG ■ ■ -0AB0	16.8						
					180	330	0.056	2LC0460-3AG ■ ■ -0AC0	17.1										

FLENDER Standard Couplings

Torsionally Rigid All-Steel Couplings – ARPEX ARP-6 Series

Type MCECM

Size	Rated torque	Maximum speed	Type	Dimensions in mm														Mass moment of inertia	Article No.	Weight											
DA	T_{KN}	n_{Kmax}		D1/D2	ND1	ND2	DZ	SZ	NL1/ NL2	S1	BF	A	P	S	LG	J	Order codes for bore diameters and tolerances are specified in catalog section 3	m													
mm	Nm	rpm		Keyway DIN 6885 max. max.												kgm ²		kg													
162-6	1600	11800	MCECM	85	85	122	122	84.5	5.5	85	11	27	-	-	140	310	0.066	2LC0460-4AP ■ ■ ■ -0AB0	19.2												
															180	350	0.067	2LC0460-4AP ■ ■ ■ -0AC0	19.7												
															200	370	0.067	2LC0460-4AP ■ ■ ■ -0AD0	19.9												
															250	420	0.068	2LC0460-4AP ■ ■ ■ -0AE0	20.4												
															10	113	140	310	0.087	2LC0460-4AH ■ ■ ■ -0AB0	22.0										
			JCECM	108	85	162	122	-	-	140	310	0.088	2LC0460-4AH ■ ■ ■ -0AC0	22.4																	
															JCECJ	108	108	162	162	140	310	0.108	2LC0460-4AG ■ ■ ■ -0AB0	24.8							
																									180	350	0.109	2LC0460-4AG ■ ■ ■ -0AC0	25.3		
																														200	370
															250	420	0.110	2LC0460-4AG ■ ■ ■ -0AE0	26.0												
																				MCECM	105	105	145	145	97.6	7.0	105	10	27	-	-
															180	390	0.138	2LC0460-5AP ■ ■ ■ -0AC0	29.0												
															200	410	0.138	2LC0460-5AP ■ ■ ■ -0AD0	29.4												
															250	460	0.140	2LC0460-5AP ■ ■ ■ -0AE0	30.1												
															12	135	140	350	0.186												
JCECM	125	105	190	145	-	-	140	390	0.187	2LC0460-5AH ■ ■ ■ -0AC0	34.4																				
												JCECJ	125	125	190	190	140	350	0.236	2LC0460-5AG ■ ■ ■ -0AB0	39.2										
																						180	390	0.238	2LC0460-5AG ■ ■ ■ -0AC0	39.8					
																											200	410	0.238	2LC0460-5AG ■ ■ ■ -0AD0	40.1
												250	460	0.240	2LC0460-5AG ■ ■ ■ -0AE0	40.9															
																	MCECM	115	115	164	164	110	9.1	115	10	33	-	-	140	370	0.251
												180	410	0.253	2LC0460-6AP ■ ■ ■ -0AC0	42.6															
												200	430	0.254	2LC0460-6AP ■ ■ ■ -0AD0	43.1															
												250	480	0.257	2LC0460-6AP ■ ■ ■ -0AE0	44.2															
												12	145	140	370	0.339													2LC0460-6AH ■ ■ ■ -0AB0	48.9	
JCECM	140	115	214	164	-	-	140	410	0.342	2LC0460-6AH ■ ■ ■ -0AC0	49.8																				
												JCECJ	140	140	214	214	140	370	0.428	2LC0460-6AG ■ ■ ■ -0AB0	56.2										
																						180	410	0.430	2LC0460-6AG ■ ■ ■ -0AC0	57.1					
																											200	430	0.431	2LC0460-6AG ■ ■ ■ -0AD0	57.6
												250	480	0.434	2LC0460-6AG ■ ■ ■ -0AE0	58.7															
																	MCECM	125	125	174	174	123	8.8	125	12	33	-	-	180	430	0.359
												200	450	0.361	2LC0460-7AP ■ ■ ■ -0AD0	52.0															
												250	500	0.365	2LC0460-7AP ■ ■ ■ -0AE0	53.2															
												14	158	180	430	0.484													2LC0460-7AH ■ ■ ■ -0AC0	60.0	
												JCECM	155	125	230	174													-	-	200
JCECJ	155	155	230	230	180	430	0.489	2LC0460-7AH ■ ■ ■ -0AE0	61.7																						
										200	430						0.610	2LC0460-7AG ■ ■ ■ -0AC0	68.7												
																				250	450	0.611	2LC0460-7AG ■ ■ ■ -0AD0	69.2							
250	500	0.615	2LC0460-7AG ■ ■ ■ -0AE0	70.5																											
					MCECM	130	130	185	185	128	12.2						130	16	41	-	-	180	440	0.532	2LC0460-8AP ■ ■ ■ -0AC0	67.0					
200	460	0.534	2LC0460-8AP ■ ■ ■ -0AD0	67.7																											
250	510	0.540	2LC0460-8AP ■ ■ ■ -0AE0	69.5																											
16	170	180	440	0.693																		2LC0460-8AH ■ ■ ■ -0AC0	76.2								
JCECM	165	130	245	185																		-	-	200	460	0.695	2LC0460-8AH ■ ■ ■ -0AD0	76.9			
					JCECJ	165	165	245	245	250	510	0.701	2LC0460-8AH ■ ■ ■ -0AE0	78.6																	
															180	440	0.855	2LC0460-8AG ■ ■ ■ -0AC0	85.5												
																				200	460								0.857	2LC0460-8AG ■ ■ ■ -0AD0	86.2
					250	510	0.863	2LC0460-8AG ■ ■ ■ -0AE0	88.0																						

FLENDER Standard Couplings

Torsionally Rigid All-Steel Couplings – ARPEX ARP-6 Series

Type MCECM

Size	Rated torque T_{KN}	Maximum speed n_{Kmax}	Type	Dimensions in mm													Mass moment of inertia J	Article No. Order codes for bore diameters and tolerances are specified in catalog section 3	Weight m		
				D1/D2		ND1	ND2	DZ	SZ	NL1/ NL2	S1	BF	A	P	S	LG					
mm	Nm	rpm		max.	max.												kgm ²		kg		
275-6	9800	6250	MCECM	150	150	213	213	148	12.6	150	20	40	-	-	200	500	0.917	2LC0461-0AP ■ ■ ■ -0AD0	91.1		
				185	150	275	213							16	200	200	500	0.927	2LC0461-0AP ■ ■ ■ -0AE0	93.3	
			JCECM	185	185	275	275										200	500	1.207	2LC0461-0AH ■ ■ ■ -0AD0	104.4
				205	205	310	310										250	550	1.217	2LC0461-0AH ■ ■ ■ -0AE0	106.5
				230	190	345	267										200	500	1.499	2LC0461-0AG ■ ■ ■ -0AD0	118.0
				230	230	345	345										250	550	1.509	2LC0461-0AG ■ ■ ■ -0AE0	120.1
310-6	12900	5550	MCECM	170	170	240	240	160	13.5	170	22	47	-	-	250	590	1.670	2LC0461-1AP ■ ■ ■ -0AE0	131.7		
				205	170	310	240							16	220			2.228	2LC0461-1AH ■ ■ ■ -0AE0	153.2	
			JCECM	205	205	310	310											2.788	2LC0461-1AG ■ ■ ■ -0AE0	175.0	
345-6	17000	5000	MCECM	190	190	267	267	172	18.5	190	24	47	-	-	250	630	2.742	2LC0461-2AP ■ ■ ■ -0AE0	176.1		
				230	190	345	267							20	245			3.684	2LC0461-2AH ■ ■ ■ -0AE0	205.1	
			JCECM	230	230	345	345											4.629	2LC0461-2AG ■ ■ ■ -0AE0	234.3	

∅D1: • Without finished bore – Without order codes

• With finished bore – With order codes for diameter and tolerance (article number without "-Z")

1

9

∅D2: • Without finished bore – Without order codes

• With finished bore – With order codes for diameter and tolerance (article number without "-Z")

1

9

Hubs are designed with threaded pull-off holes.

E spacers are also available in the following inch dimensions on request: $S = 3.5"/5"/7"/8"/10"$.

Other spacer lengths are available on request.

Plate packs in the CEC intermediate unit assembled at the factory.

Jumbo hub for large shaft diameters.

Weights and mass moments of inertia apply to the entire coupling with maximum bores D1/D2.

Ordering example:

ARPEX ARP-6 MCECM coupling, size 120-6, with shaft distance

$S = 140$ mm,

Bore ∅D1 50H7 mm, with keyway to DIN 6885 and set screw,

Bore ∅D2 60K7 mm, with keyway to DIN 6885 and set screw.

Article No.:

2LC0460-2AP99-0AB0-Z

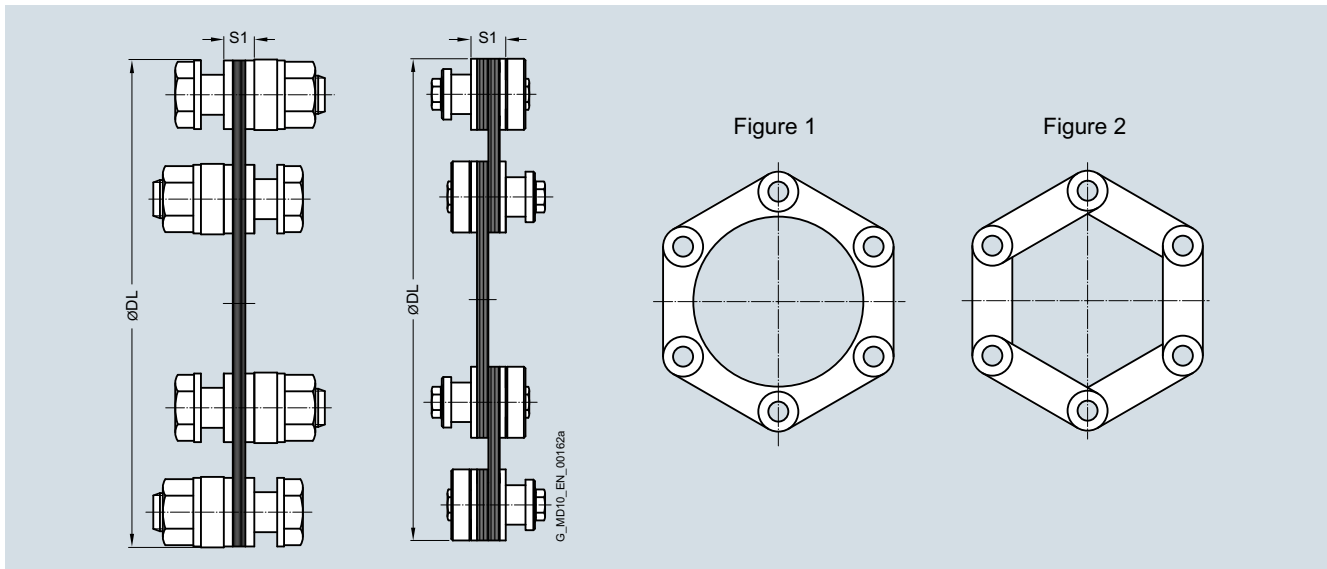
L1C+M1E+M13

FLENDER Standard Couplings

Torsionally Rigid All-Steel Couplings – ARPEX ARP-6 Series

Spare and wear parts
Plate pack ARP-6

Selection and ordering data



Mainly ring plates (Fig. 1) are used for the plate packs. Sizes 298-6 and 325-6 comprise side-bar plates (Fig. 2).

The plate pack of the ARP-6 series is delivered with screw connection and is readily available as a spare part.

- With outside diameters up to $DA = 300$ mm, close-fitting bolts with collar nuts are used
- From outside diameter $DA = 300$ mm, patented ¹⁾ conical screw connections are used

Plate pack

Dimensions in mm			Mass moment of inertia	Article No.	Weight
Size	Plate size		J		m
DA	DL	S1	kgm^2		kg
Plate pack NAN					
88-6	78	6	0.0001	2LC0450-0AF00-0AA0	0.1
115-6	105	6	0.0003	2LC0450-1AF00-0AA0	0.1
135-6	125	7	0.0010	2LC0450-2AF00-0AA0	0.3
150-6	140	7	0.0013	2LC0450-3AF00-0AA0	0.4
176-6	165	9	0.0035	2LC0450-4AF00-0AA0	0.7
185-6	175	11	0.0053	2LC0450-5AF00-0AA0	0.9
212-6	195	10	0.0088	2LC0450-6AF00-0AA0	1.3
225-6	210	10	0.0145	2LC0450-7AF00-0AA0	1.8
256-6	240	12	0.0269	2LC0450-8AF00-0AA0	2.6
272-6	255	16	0.0425	2LC0451-0AF00-0AA0	3.7
298-6	280	20	0.0653	2LC0451-1AF00-0AA0	4.7
325-6	305	22	0.1081	2LC0451-2AF00-0AA0	6.6
Plate pack MCECM					
64-4	58	6	0.0001	2LC0460-0AS00-0AA0	0.1
96-6	82	6	0.0002	2LC0460-1AS00-0AA0	0.1
120-6	106	7	0.0006	2LC0460-2AS00-0AA0	0.3
142-6	128	9	0.0018	2LC0460-3AS00-0AA0	0.6
162-6	147	11	0.0033	2LC0460-4AS00-0AA0	0.9
190-6	168	10	0.0060	2LC0460-5AS00-0AA0	1.2
214-6	194	10	0.0116	2LC0460-6AS00-0AA0	1.8
230-6	210	12	0.0189	2LC0460-7AS00-0AA0	2.5
245-6	224	16	0.0299	2LC0460-8AS00-0AA0	3.5
275-6	251	20	0.0487	2LC0461-0AS00-0AA0	4.6
310-6	285	22	0.0891	2LC0461-1AS00-0AA0	6.5
345-6	314	24	0.1461	2LC0461-2AS00-0AA0	8.7

Ordering example for plate pack NAN:

ARPEX ARP-6 plate pack, size 115-6, complete with screw connection.

Article No.:

2LC0450-1AF00-0AA0

Ordering example for plate pack MCECM:

ARPEX ARP-6 plate pack, size 120-6, complete with screw connection.

Article No.:

LC0460-2AS00-0AA0

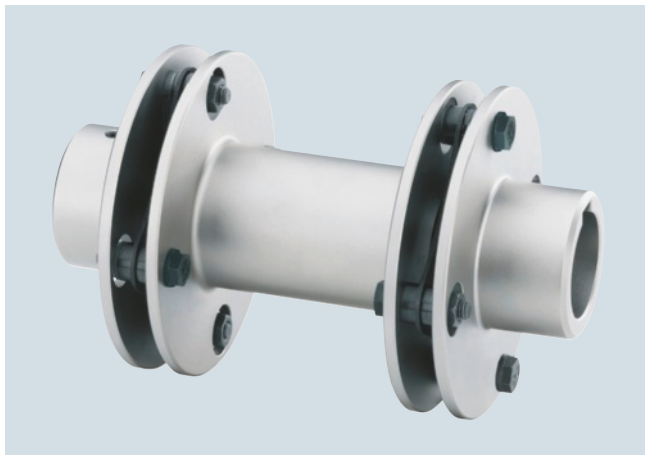
¹⁾ Protected by patent in a number of countries on the date of creation of this catalog.

FLENDER Standard Couplings

Torsionally Rigid All-Steel Couplings – ARPEX ARW-4/-6 Series

General information

Overview



Coupling can be designed for use in potentially explosive atmospheres in accordance with the current ATEX Directive.

Benefits

ARPEX couplings of the ARW-4/-6 series are outstanding for their large angular misalignment capacity of 3°. They were specially designed for drives where high misalignments which have

to be compensated for by the coupling are to be expected. The intermediate spacer lengths are variable and are manufactured to customer specifications.

Application

ARPEX couplings of the ARW-4/-6 series are used where large misalignment capacities are required. In the paper-making machine industry, the ARW coupling has already proved itself as a maintenance-free alternative to the cardan shaft. Torques of between 92 and 80000 Nm can be transmitted at a permitted angular misalignment of 3.0°. The intermediate spacer can be fitted radially without moving the connected units.

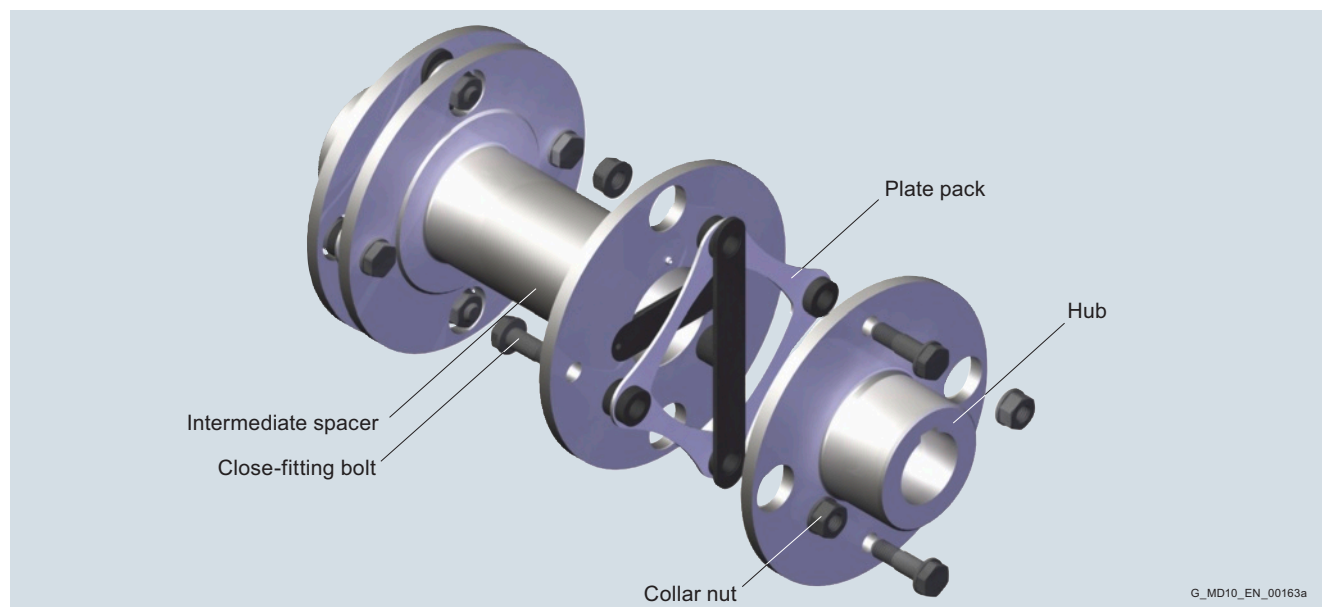
Main areas of application for the ARW-4/-6 series:

- Paper-making machines
- Wind power systems
- Traction drives

Design

The design of an ARPEX NHN coupling of the ARW-4/-6 series is shown in the following illustration. The plate packs are bolted alternately between the flanges of the coupling hubs and the intermediate spacer. Up to size 292-4 close-fitting bolts and from size 324-4 conical screw connections are used for fastening. Up to

size 647-4 plate packs in rectangular design, from size 695-6 in hexagonal design are used. The intermediate spacers are variable in length and are manufactured specifically to customer specifications.



Variants of the ARPEX coupling, ARW-4/-6 series

G_MD10_EN_00163a

FLENDER Standard Couplings

Torsionally Rigid All-Steel Couplings – ARPEX ARW-4/-6 Series

General information

Variants of the ARPEX coupling, ARW-4/-6 series

Types

NHN	Variant with unmachined intermediate spacer, with variable spacer length
------------	--

Further application-specific coupling types are available in selection module **X.CAT NG** at www.siemens.com/couplings. Dimension sheets and further information are available on request.

The coupling parts of the ARPEX ARW-4/-6 series with the exception of H spacers are machined on all sides. These are delivered with unmachined, primed spacer tube.

Technical data

Power ratings, type NHN

Size	Rated torque	Maximum torque	Overload torque	Fatigue torque	Maximum speed	Maximum permitted shaft misalignment			Torsional stiffness	
	T_{KN}	T_{Kmax}	T_{KOL}	T_{KW}	n_{Kmax}	+ ΔK_a Tension	- ΔK_a Compression	$\pm \Delta K_w$	$\pm \Delta K_r$ for S = 1000 mm	C_{Tdyn} for S = 1000 mm
	Nm	Nm	Nm	Nm	rpm	mm	mm		mm	MNm/rad
101-4	92	140	230	37	10400	2.4	2.0	3.0°	51.8	0.006
133-4	225	340	560	90	7850	3.3	2.2		51.7	0.012
167-4	450	680	1130	180	6250	4.2	2.2		51.6	0.028
196-4	800	1200	2000	320	5350	5.1	2.2		51.6	0.068
230-4	1250	1880	3200	500	4550	5.7	2.2		51.6	0.108
260-4	2000	3000	5000	800	4000	6.6	2.2		51.5	0.174
292-4	2700	4100	6800	1080	3550	7.5	2.8		51.4	0.275
324-4	3850	5800	9700	1540	3200	8.4	2.8		51.4	0.451
355-4	5250	7900	13200	2100	2950	9.0	2.8		51.4	0.622
389-4	6650	10000	16700	2660	2700	10.0	2.8		51.4	0.657
439-4	9850	15000	25000	3940	2350	11.1	3.0		51.3	1.08
499-4	13300	20000	34000	5320	2100	12.4	4.8		50.8	1.32
547-4	19000	29000	48000	7600	1900	13.4	4.8		50.7	2.03
600-4	25150	38000	63000	10060	1750	14.6	4.8		50.6	2.73
647-4	32500	49000	82000	13000	1600	16.0	4.8		50.6	3.93
695-6	41000	62000	103000	16400	1500	17.0	4.8		50.7	10.1
756-6	52000	78000	130000	20800	1350	18.0	4.8		50.6	14.0
817-6	65000	98000	163000	26000	1250	20.0	4.8		50.5	16.9
880-6	80000	120000	200000	32000	1150	22.0	4.8		50.5	21.2

The radial misalignment ΔK_r applies to a type NHN coupling with a shaft distance S = 1000 mm. The radial misalignment ΔK_r for other shaft distances S is calculated as follows:
 $\Delta K_r = (S - S1) \cdot \tan(\Delta K_w)$

The permitted shaft misalignments ΔK_a , ΔK_r and ΔK_w are maximum values and must not occur at the same time (see following table).

Permitted shaft misalignments

Size	Permitted angular misalignment ΔK_w (tension +)			Permitted angular misalignment ΔK_w (compression -)		
	3.0°	1.5°	0.0°	3.0°	1.5°	0.0°
	Permitted axial misalignment ΔK_a in mm			Permitted axial misalignment ΔK_a in mm		
101-4	0.8	1.6	2.4	0.8	1.6	2
133-4	1.1	2.2	3.3	1.1	2.2	2.2
167-4	1.4	2.8	4.2	1.4	2.2	2.2
196-4	1.7	3.4	5.1	1.7	2.2	2.2
230-4	1.9	3.8	5.7	1.9	2.2	2.2
260-4	2.2	4.4	6.6	2.2	2.2	2.2
292-4	2.5	5.0	7.5	2.5	2.8	2.8
324-4	2.8	5.6	8.4	2.8	2.8	2.8
355-4	3.0	6.0	9.0	2.8	2.8	2.8
389-4	3.3	6.7	10.0	2.8	2.8	2.8
439-4	3.7	7.4	11.1	3.0	3.0	3.0
499-4	4.1	8.3	12.4	4.1	4.8	4.8
547-4	4.5	8.9	13.4	4.4	4.8	4.8
600-4	4.9	9.7	14.6	4.8	4.8	4.8
647-4	5.3	10.7	16.0	4.8	4.8	4.8
695-6	5.6	11.4	17.0	4.8	4.8	4.8
756-6	6	12.1	18.0	4.8	4.8	4.8
817-6	6.7	13.4	20.0	4.8	4.8	4.8
880-6	7.3	14.8	22.0	4.8	4.8	4.8

Because of design specifications, the maximum possible axial shaft misalignment with plate packs pulled apart (**tension +**) is greater than with plate packs pressed together (**compression -**).

T_{Kmax} permitted only five times per hour.

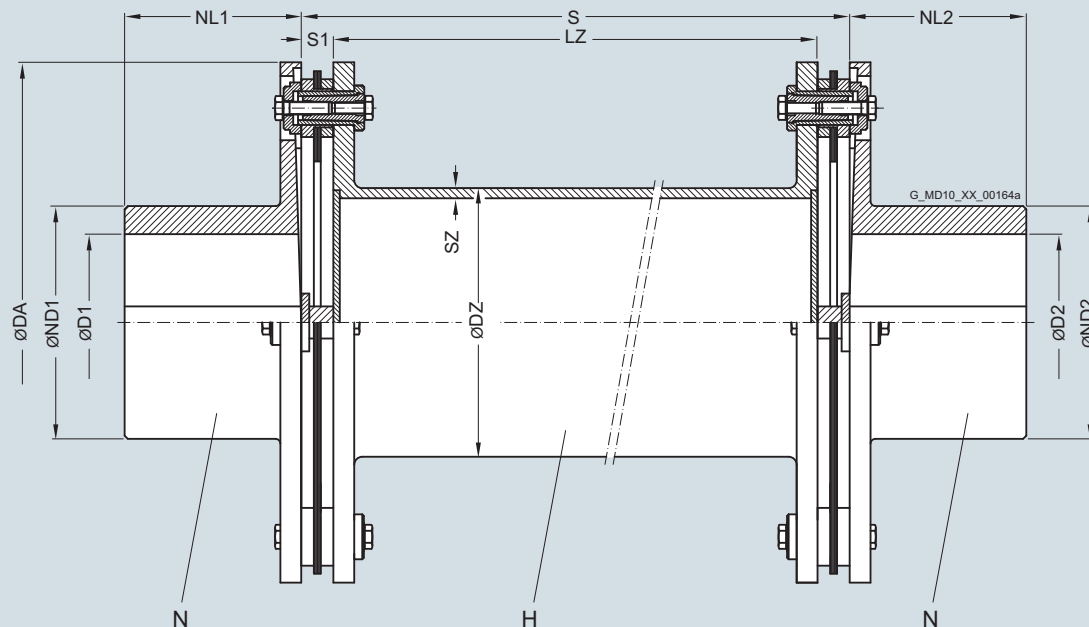
FLENDER Standard Couplings

Torsionally Rigid All-Steel Couplings – ARPEX ARW-4/-6 Series

Type NHN

Selection and ordering data

Torsionally rigid type NHN coupling with high angular misalignment capacity up to 3° and radially freely dismountable intermediate spacer and variable shaft distance S.



Size	Rated torque	Maximum speed	Dimensions in mm							Shaft distance	Mass moment of inertia	Article No.	Weight
DA	T_{KN}	n_{Kmax}	D1/D2 Keyway DIN 6885 max.	ND1/ ND2	DZ	SZ	NL1/ NL2	S1	LZ min.	S min.	J	Order codes for bore diameters and tolerances are specified in catalog section 3	m
mm	Nm	rpm									kgm ²		kg
101-4	92	10400	32	45	45	2.9	32	11	43	65	0.002	2LC0530-0AD ■ ■ -0AZ0	1.5
133-4	225	7850	45	60	48	2.9	45	13	59	85	0.008	2LC0530-1AD ■ ■ -0AZ0	3.9
167-4	450	6250	50	70	64	4.0	50	15	70	100	0.022	2LC0530-2AD ■ ■ -0AZ0	7.1
196-4	800	5350	60	80	89	4.0	60	16	83	115	0.056	2LC0530-3AD ■ ■ -0AZ0	12.1
230-4	1250	4550	75	100	102	5.0	75	16	83	115	0.109	2LC0530-4AD ■ ■ -0AZ0	17.9
260-4	2000	4000	90	120	133	5.0	90	17	96	130	0.189	2LC0530-5AD ■ ■ -0AZ0	24.6
292-4	2700	3550	100	130	152	5.0	100	19	92	130	0.359	2LC0530-6AD ■ ■ -0AZ0	35.1
324-4	3850	3200	110	145	168	6.3	110	20	120	160	0.520	2LC0530-7AD ■ ■ -0AZ0	43.7
355-4	5250	2950	120	160	178	7.1	120	20	125	165	0.856	2LC0530-8AD ■ ■ -0AZ0	59.8
389-4	6650	2700	130	175	194	7.1	130	20	130	170	1.09	2LC0531-0AD ■ ■ -0AZ0	68.9
439-4	9850	2350	150	200	219	7.1	150	22	166	210	2.23	2LC0531-1AD ■ ■ -0AZ0	106
499-4	13300	2100	165	220	245	7.1	165	30	170	230	3.81	2LC0531-2AD ■ ■ -0AZ0	142
547-4	19000	1900	190	250	299	8.8	190	32	176	240	6.24	2LC0531-3AD ■ ■ -0AZ0	191
600-4	25150	1750	205	275	324	8.8	205	34	182	250	10.2	2LC0531-4AD ■ ■ -0AZ0	257
647-4	32500	1600	225	300	343	10.0	225	35	220	290	16.5	2LC0531-5AD ■ ■ -0AZ0	348
695-6	41000	1500	240	325	368	10.0	240	33	224	290	23.7	2LC0540-0AD ■ ■ -0AZ0	441
756-6	52000	1350	255	340	394	12.5	255	34	232	300	33.2	2LC0540-1AD ■ ■ -0AZ0	525
817-6	65000	1250	270	360	406	12.5	270	36	238	310	49.1	2LC0540-2AD ■ ■ -0AZ0	659
880-6	80000	1150	300	400	419	12.5	300	37	256	330	72.8	2LC0540-3AD ■ ■ -0AZ0	849
ØD1:	<ul style="list-style-type: none"> Without finished bore – Without order codes With finished bore – With order codes for diameter and tolerance (article number without "-Z") 											1 9	
ØD2:	<ul style="list-style-type: none"> Without finished bore – Without order codes With finished bore – With order codes for diameter and tolerance (article number without "-Z") 											1 9	

The permitted length of the intermediate spacer depends on the maximum operating speed of the coupling (see following table).

In the case of individual order of the intermediate spacer, the length (LZ) must be specified.

Mass moments of inertia and weights apply to the entire NHN coupling with maximum bores D1/D2 and a shaft distance $S = S$ min.

FLENDER Standard Couplings

Torsionally Rigid All-Steel Couplings – ARPEX ARW-4/-6 Series

Type NHN

Permitted shaft distance S of type NHN relative to speed

Size	Speed n_N												
	rpm												
	500	600	700	800	900	1000	1200	1400	1500	2000	2500	3000	4000
	Permitted shaft distance S												
	mm												
101-4	2822	2577	2387	2233	2106	1999	1825	1691	1634	1416	1268	1159	1005
133-4	2949	2693	2494	2334	2201	2089	1908	1767	1708	1481	1326	1212	1051
167-4	3376	3083	2856	2672	2520	2392	2185	2024	1956	1696	1518	1387	1203
196-4	4029	3679	3407	3188	3007	2854	2606	2414	2333	2022	1811	1654	1435
230-4	4297	3924	3634	3400	3207	3043	2779	2574	2488	2156	1930	1764	1530
260-4	4943	4514	4181	3912	3689	3500	3197	2961	2861	2480	2220	2028	1759
292-4	5305	4844	4487	4198	3959	3757	3431	3178	3071	2662	2383	2177	
324-4	5562	5079	4704	4401	4151	3939	3597	3332	3220	2791	2499	2283	
355-4	5709	5214	4828	4518	4261	4043	3692	3420	3305	2865	2564		
389-4	5968	5450	5047	4722	4453	4226	3859	3575	3454	2994	2680		
439-4	6361	5809	5380	5034	4747	4505	4114	3811	3682	3192			
499-4	6738	6154	5699	5333	5030	4773	4360	4039	3903	3384			
547-4	7442	6797	6295	5890	5555	5272	4815	4460	4310				
600-4	7762	7089	6565	6144	5794	5499	5022	4652	4496				
647-4	7980	7287	6750	6316	5957	5653	5163	4783	4622	Outside the permitted speed range			
695-6	8000	7553	6995	6545	6173	5858	5350	4956	4789				
756-6	8000	7797	7221	6757	6372	6047	5523						
817-6	8000	7920	7335	6864	6473	6143	5611						
880-6	8000	8000	7456	6977	6580	6244							

Ordering example:

ARPEX ARW-4 NHN coupling, size 133-4, with shaft distance
 S = 1000 mm,
 Bore \varnothing D1 40H7 mm, with keyway to DIN 6885 and set screw,
 Bore \varnothing D2 45K7 mm, with keyway to DIN 6885 and set screw.

Article No.:

2LC0530-1AD99-0AZ0-Z**L0W+M1A+Q0Y+M13**Plain text to Q0Y: **S = 1000 mm**

FLENDER Standard Couplings

Torsionally Rigid All-Steel Couplings – ARPEX ARW-4/-6 Series

Spare and wear parts
Plate pack ARW-4/-6

Selection and ordering data

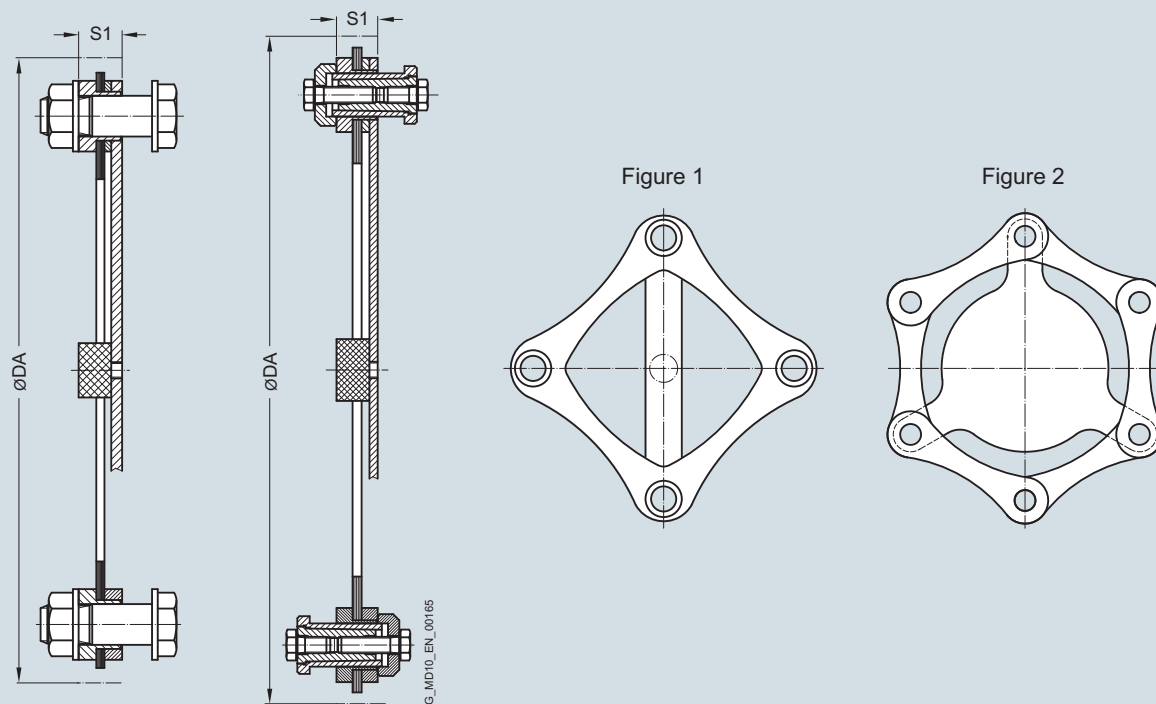


Plate packs of the ARW-4 series comprise ring plates (Fig. 1), those of the ARW-6 series side-bar plates (Fig. 2).

Dimensions in mm		Mass moment of inertia	Article No.	Weight
Size	S1	J		m
DA		kgm ²		kg
101-4	11	0.0001	2LC0530-0AB00-0AA0	0.1
133-4	13	0.0005	2LC0530-1AB00-0AA0	0.2
167-4	15	0.0017	2LC0530-2AB00-0AA0	0.5
196-4	16	0.0037	2LC0530-3AB00-0AA0	0.7
230-4	16	0.0068	2LC0530-4AB00-0AA0	1.0
260-4	17	0.0136	2LC0530-5AB00-0AA0	1.5
292-4	19	0.0227	2LC0530-6AB00-0AA0	1.9
324-4	20	0.0288	2LC0530-7AB00-0AA0	2.1
355-4	20	0.0452	2LC0530-8AB00-0AA0	2.7
389-4	20	0.0645	2LC0531-0AB00-0AA0	3.2
439-4	22	0.1147	2LC0531-1AB00-0AA0	4.5
499-4	30	0.2235	2LC0531-2AB00-0AA0	6.9
547-4	32	0.3658	2LC0531-3AB00-0AA0	9.5
600-4	34	0.5355	2LC0531-4AB00-0AA0	11.4
647-4	35	0.7939	2LC0531-5AB00-0AA0	14.6
695-6	33	1.4624	2LC0540-0AB00-0AA0	24.6
756-6	34	1.2250	2LC0540-1AB00-0AA0	20.2
817-6	36	1.7497	2LC0540-2AB00-0AA0	23.9
880-6	37	2.5460	2LC0540-3AB00-0AA0	28.9

The plate pack of the ARW-4/-6 series is readily available as a spare part.

The plate pack is delivered with screw connection.

Up to size 292-4 close-fitting bolts with collar nuts, from size 324-4 patented ¹⁾ conical screw connections are used.

Ordering example:
ARPEX ARW-4 plate pack, size 133-4,
complete with screw connection.

Article No.:
2LC0530-1AB00-0AA0

¹⁾ Protected by patent in a number of countries on the date of creation of this catalog.

FLENDER Standard Couplings

Torsionally Rigid All-Steel Couplings – ARPEX ARF-6 Series

General information

Overview



Coupling can be designed for use in potentially explosive atmospheres in accordance with the current ATEX Directive.

Benefits

ARPEX couplings of the ARF-6 series are extremely short and so suitable for drives with short shaft distances. They also serve as self-aligning couplings for axial, angular and radial misalignment. The hubs are available both as pure clamping hubs for smooth shafts and with parallel keyway for shafts with parallel

key. The variant with slit clamping hubs enables the delivery of fully preassembled couplings. This means that the entire coupling can be dismantled and fitted without moving the connected units.

Application

ARPEX couplings of the ARF-6 series are designed for minimum fitting spaces without having to sacrifice the advantages of the two-joint coupling. It is thus possible to compensate for both axial and angular as well as radial misalignment. By using half-shell clamping hubs, the coupling can be radially freely dismantled. Power is transmitted via hexagon socket head cap screws and close-fitting bolts with nuts and ring plate packs in

hexagonal design. Torques of between 120 and 6100 Nm can be transmitted at a permitted angular misalignment of 0.7°.

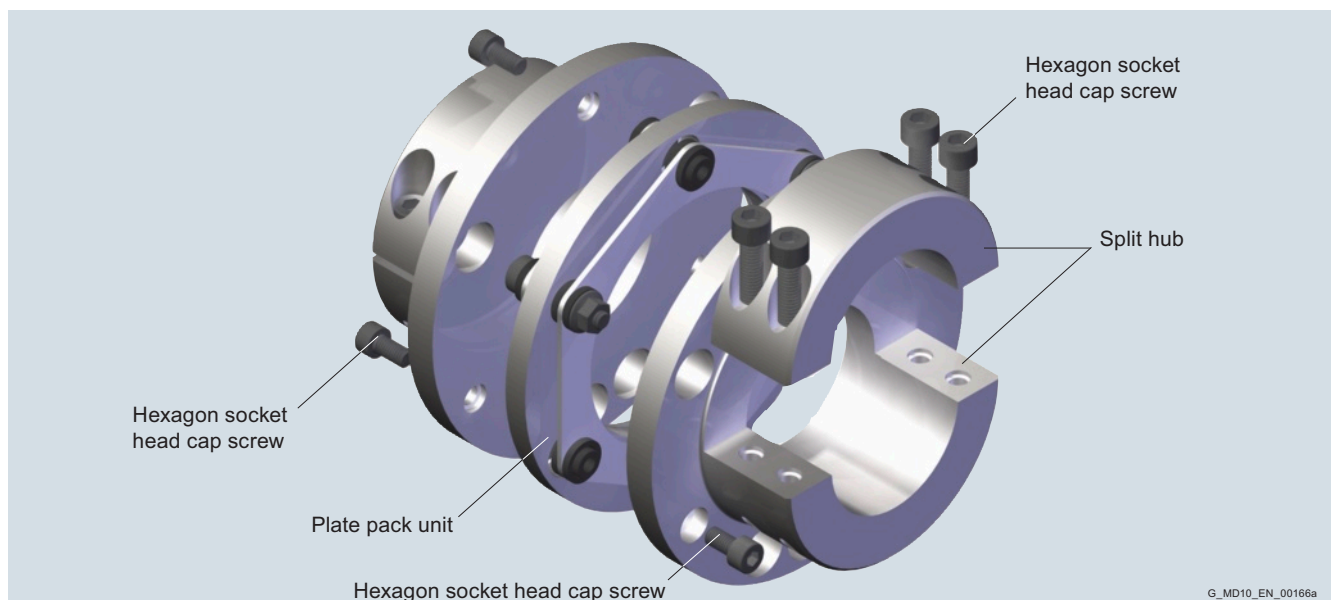
Main areas of application for the ARF-6 series:

- Film stretching machines
- Machines in the cellulose industry
- Machines in confined fitting situations

Design

The two plate packs form a unit with the adapter disk and are screwed together with close-fitting bolts and nuts at three points. The alternate connection of this intermediate unit with the flanges of the split coupling hubs is achieved by means of short

hexagon socket head cap screws at further three points. The hubs are designed as axially slit clamping hubs with a half-shell. For larger bores these can be manufactured as jumbo hubs. Optionally, the hubs are also available without parallel keyway.



G_MD10_EN_00166a

Design of the ARPEX coupling, ARF series

FLENDER Standard Couplings

Torsionally Rigid All-Steel Couplings – ARPEX ARF-6 Series

General information

Design of the ARF coupling

Types	
GG	Variant with 2 standard clamping hubs
GJ	Variant with 1 jumbo clamping hub for large bore diameters

Further application-specific coupling types are available in selection module **X.CAT NG** at www.siemens.com/couplings. Dimension sheets and further information are available on request.

Technical data

Power ratings, types GG and GJ

Size	Rated torque	Maximum torque	Overload torque	Fatigue torque	Maximum speed	Maximum permitted shaft misalignment			Torsional stiffness
	T_{KN} Nm	T_{Kmax} Nm	T_{KOL} Nm	T_{KW} Nm	n_{Kmax} rpm	$\pm\Delta K_a$ mm	$\pm\Delta K_w$	$\pm\Delta K_r$ mm	C_{Tdyn} MNm/rad
84-6	120	220	330	55	12500	1.10	0.7°	0.16	0.07
111-6	190	350	520	90	9450	1.80		0.16	0.13
132-6	350	650	950	160	7950	2.02		0.20	0.20
147-6	500	900	1350	230	7100	2.40		0.20	0.28
171-6	900	1700	2450	400	6100	2.74		0.24	0.57
182-6	1450	2600	4000	650	5750	2.86		0.29	0.66
202-6	2150	3900	5800	980	5200	3.06		0.29	0.77
218-6	3200	5800	8700	1450	4800	3.14		0.37	1.25
252-6	4500	8100	12000	2000	4150	3.70		0.45	1.55
267-6	6100	11000	16500	2800	3900	3.84		0.46	1.80

The permitted shaft misalignments ΔK_a , ΔK_r and ΔK_w are maximum values and must not occur at the same time (see following table).

T_{Kmax} permitted only five times per hour.

Permitted shaft misalignments

Size	Permitted angular misalignment $\pm\Delta K_w$								
	0.0°	0.1°	0.2°	0.3°	0.4°	0.5°	0.6°	0.7°	
	Permitted axial misalignment $\pm\Delta K_a$ in mm								
84-6	1.10	0.94	0.79	0.63	0.47	0.31	0.16	0.00	
111-6	1.80	1.54	1.29	1.03	0.77	0.51	0.26	0.00	
132-6	2.02	1.73	1.44	1.15	0.87	0.58	0.29	0.00	
147-6	2.40	2.06	1.71	1.37	1.03	0.69	0.34	0.00	
171-6	2.74	2.35	1.96	1.57	1.17	0.78	0.39	0.00	
182-6	2.86	2.45	2.04	1.63	1.23	0.82	0.41	0.00	
202-6	3.06	2.62	2.19	1.75	1.31	0.87	0.44	0.00	
218-6	3.14	2.69	2.24	1.79	1.35	0.90	0.45	0.00	
252-6	3.70	3.17	2.64	2.11	1.59	1.06	0.53	0.00	
267-6	3.84	3.29	2.74	2.19	1.65	1.10	0.55	0.00	

The values for torsional stiffness apply to the complete coupling. The torsional stiffness of the plate packs applies to the rated coupling torque T_{KN} . To determine the torsional stiffness for a specific operating point, e.g. for calculating torsional vibration, the manufacturer must be consulted.

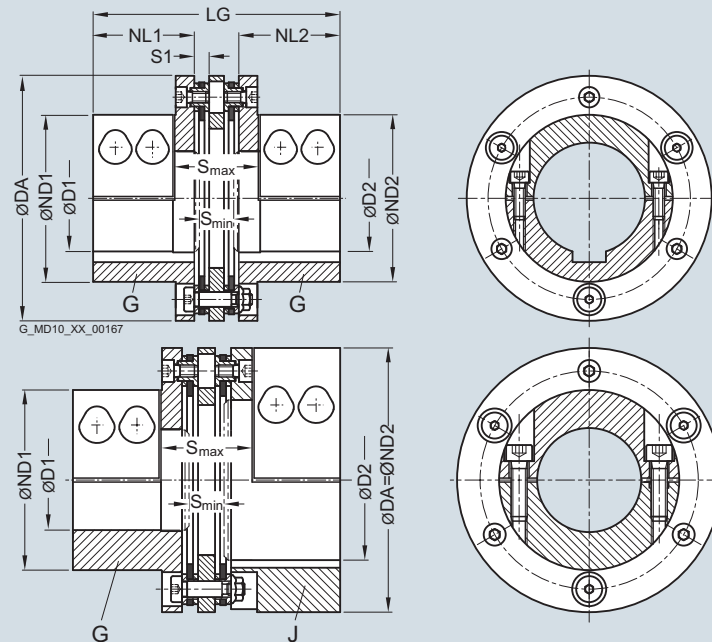
FLENDER Standard Couplings

Torsionally Rigid All-Steel Couplings – ARPEX ARF-6 Series

Types GG and GJ

Selection and ordering data

Radially freely dismountable, torsionally rigid coupling, available as types GG and GJ.
Complete dismounting without moving the units with extremely short shaft distances.



The shaft tolerance must be specified in the order. To specify, "-Z" must be added to the article number and the order codes "Y26" and "Y27" with plain text specification of the shaft tolerance for D1 and D2 must be added as well.

Size	Rated torque	Maximum speed	Type	Dimensions in mm										Mass moment of inertia	Article No.	Weight
				D1	D2	ND1	ND2	NL1/ NL2	S1	S	LG	J				
DA	T_{KN}	n_{Kmax}		Keyway DIN 6885		Shaft distance								Order codes for bore diameters and tolerances are specified in catalog section 3	m	
mm	Nm	rpm		max. Parallel key/ clamping seat	max. Parallel key	min.	max.					kgm ²	kg			
84-6	120	12500	GG	25	25	25	50	50	40	6	16	39	99	0.0013	2LC0420-0AB99-0AA0	1.7
			GJ		40	48			84						0.0021	2LC0420-0AC99-0AA0
111-6	190	9450	GG	48	48	48	76	76	40	6	16	39	99	0.0043	2LC0420-1AB99-0AA0	2.9
			GJ		65	65			111						0.0067	2LC0420-1AC99-0AA0
132-6	350	7950	GG	52	52	52	90	90	55	8	18.5	45	134	0.0110	2LC0420-2AB99-0AA0	5.7
			GJ		75	80			132						0.0177	2LC0420-2AC99-0AA0
147-6	500	7100	GG	60	60	60	105	105	65	8	18.5	45	154	0.0199	2LC0420-3AB99-0AA0	8.3
			GJ		85	85			147						0.0324	2LC0420-3AC99-0AA0
171-6	900	6100	GG	70	70	70	122	122	75	9	22.5	56	179	0.0439	2LC0420-4AB99-0AA0	13.3
			GJ		100	100			171						0.0695	2LC0420-4AC99-0AA0
182-6	1450	5750	GG	70	70	70	126	126	85	11	29	71	205	0.0649	2LC0420-5AB99-0AA0	17.5
			GJ		100	110			182						0.1005	2LC0420-5AC99-0AA0
202-6	2150	5200	GG	75	75	75	138	138	85	11	29	71	205	0.0986	2LC0420-6AB99-0AA0	21.9
			GJ		115	125			202						0.1519	2LC0420-6AC99-0AA0
218-6	3200	4800	GG	90	90	90	149	149	95	14	35	86	234	0.1499	2LC0420-7AB99-0AA0	27.2
			GJ		130	130			218						0.2345	2LC0420-7AC99-0AA0
252-6	4500	4150	GG	100	100	100	166	166	105	17	40.5	101	264	0.2924	2LC0420-8AB99-0AA0	39.9
			GJ		140	150			252						0.4651	2LC0420-8AC99-0AA0
267-6	6100	3900	GG	110	110	100	177	177	110	17	40.5	102	275	0.3827	2LC0421-0AB99-0AA0	45.9
			GJ		150	160			267						0.6129	2LC0421-0AC99-0AA0

Jumbo hubs for larger shaft diameters.

G and J hubs in split clamping hub variant.

The hub variant with keyway rates as standard. Optionally, the shaft/hub connection can be implemented without keyway as a pure clamping seat.

For specification of plate pack, [see under spare parts](#).

Weights and mass moments of inertia apply to the entire coupling with maximum bores D1/D2.

Ordering example:

ARPEX ARF-6 GG coupling, size 132-6, for shaft diameter ØD1 45h6 mm, without keyway, for shaft diameter ØD2 50k6 mm, with keyway to DIN 6885-1, keyway width P9.

Article No.: **2LC0420-2AB99-0AA0-Z**
L1A+M1C+L45+Y26+Y27
 Plain text to Y26: **h6**
 Plain text to Y27: **k6**

FLENDER Standard Couplings

Torsionally Rigid All-Steel Couplings – ARPEX ARF-6 Series

Spare and wear parts
Plate pack ARF-6

Selection and ordering data

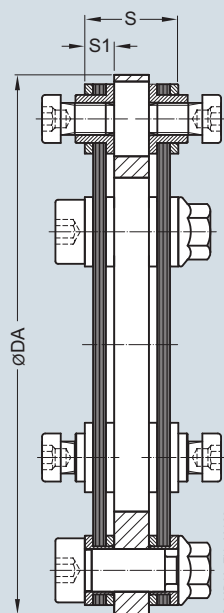
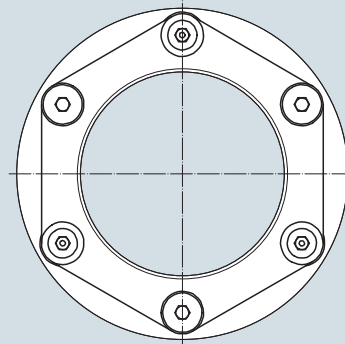


Figure 1



Ring plates (Fig. 1) are used for the plate packs.

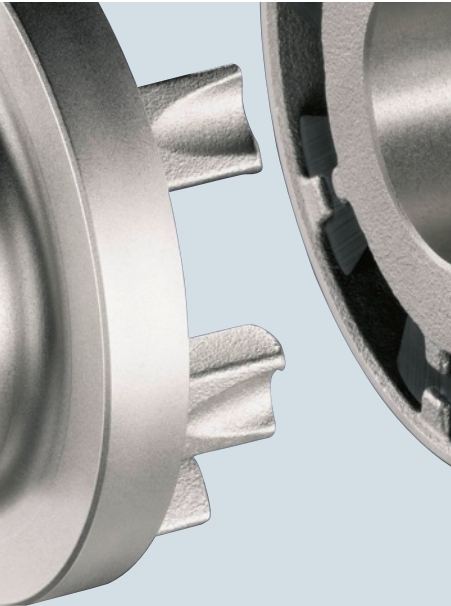
Dimensions in mm				Mass moment of inertia	Article No.	Weight
Size	Type	S	S1	J		m
DA				kgm ²		kg
84-6	GG	19	6	0.0003	<u>2LC0420-0AE00-0AA0</u>	0.30
	GJ				<u>2LC0420-0AH00-0AA0</u>	
111-6	GG	19	6	0.0009	<u>2LC0420-1AE00-0AA0</u>	0.46
	GJ				<u>2LC0420-1AH00-0AA0</u>	
132-6	GG	24	8	0.0026	<u>2LC0420-2AE00-0AA0</u>	0.90
	GJ				<u>2LC0420-2AH00-0AA0</u>	
147-6	GG	24	8	0.0038	<u>2LC0420-3AE00-0AA0</u>	1.07
	GJ				<u>2LC0420-3AH00-0AA0</u>	
171-6	GG	29	9	0.0097	<u>2LC0420-4AE00-0AA0</u>	1.96
	GJ				<u>2LC0420-4AH00-0AA0</u>	
182-6	GG	35	11	0.0143	<u>2LC0420-5AE00-0AA0</u>	2.58
	GJ				<u>2LC0420-5AH00-0AA0</u>	
202-6	GG	35	11	0.0240	<u>2LC0420-6AE00-0AA0</u>	3.53
	GJ				<u>2LC0420-6AH00-0AA0</u>	
218-6	GG	44	14	0.0383	<u>2LC0420-7AE00-0AA0</u>	4.89
	GJ				<u>2LC0420-7AH00-0AA0</u>	
252-6	GG	54	17	0.0812	<u>2LC0420-8AE00-0AA0</u>	7.90
	GJ				<u>2LC0420-8AH00-0AA0</u>	
267-6	GG	55	17	0.1152	<u>2LC0421-0AE00-0AA0</u>	9.60
	GJ				<u>2LC0421-0AH00-0AA0</u>	

The plate pack unit for the ARF-6 series is readily available as a spare part in most sizes.

The plate pack unit comprises two preassembled plate packs with adapter disk, including screw connection.
The standard screw connection comprises hexagon socket head cap screws and close-fitting bolts with nuts.

Flexible Couplings N-EUPEX Series

7



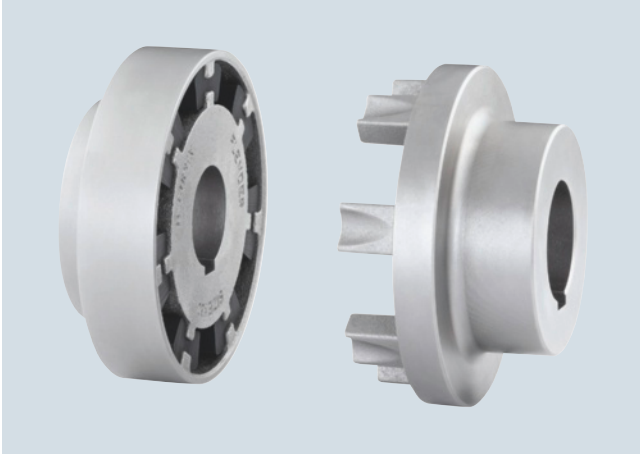
7/2	Overview
7/3	Benefits
7/3	Application
7/3	Function
7/4	Design
7/7	Technical data
7/10	Type A for easy elastomer flexible replacement
7/10	Selection and ordering data
7/11	Type B
7/11	Selection and ordering data
7/12	Type H
7/12	Selection and ordering data
7/14	Type D for easy elastomer flexible replacement
7/14	Selection and ordering data
7/16	Type E
7/16	Selection and ordering data
7/17	Type P with brake drum for easy elastomer flexible replacement
7/17	Selection and ordering data
7/18	Type O with brake drum
7/18	Selection and ordering data
7/19	Type DBDR with brake disk for easy elastomer flexible replacement
7/19	Selection and ordering data
7/20	Type DBD with brake disk for easy elastomer flexible replacement
7/20	Selection and ordering data
7/21	Type EBD with brake disk
7/21	Selection and ordering data
7/22	Type ADS for easy elastomer flexible replacement
7/22	Selection and ordering data
7/23	Type BDS
7/23	Selection and ordering data
7/24	Type HDS
7/24	Selection and ordering data
7/26	Spare and wear parts
7/26	Selection and ordering data

FLENDER Standard Couplings

Flexible Couplings – N-EUPEX and N-EUPEX DS Series

General information

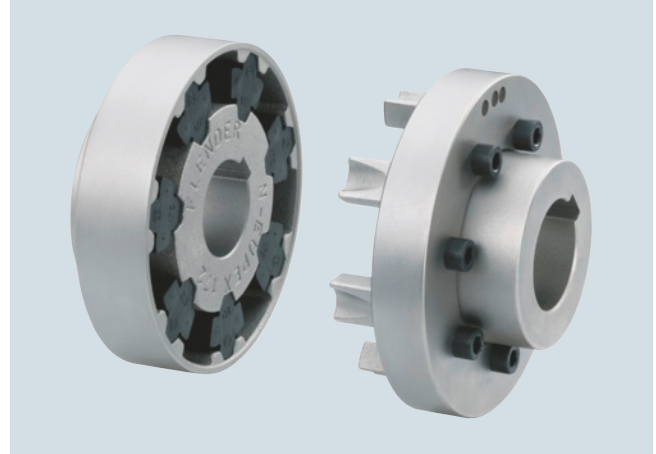
Overview



N-EUPEX as overload-holding, fail-safe series

N-EUPEX and N-EUPEX DS pin couplings connect machines. They compensate for shaft misalignment, generating only low restorative forces.

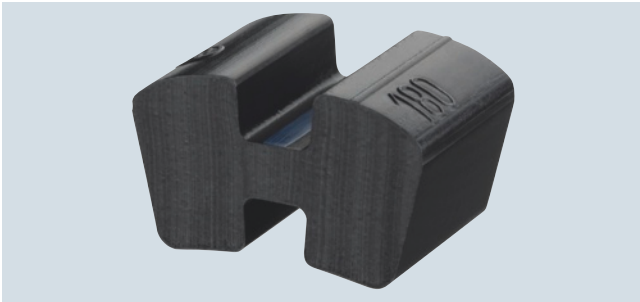
The torque is conducted through elastomer flexibles, so the coupling has typically flexible rubber properties.



N-EUPEX DS as overload-shedding, non-fail-safe series

N-EUPEX couplings are overload-holding. By contrast, the N-EUPEX DS series is designed so that overload or advanced wear causes irreparable damage to the elastomer flexibles. The metal parts of N-EUPEX DS couplings can then rotate freely against one another without contact.

Elastomer flexible of the N-EUPEX series

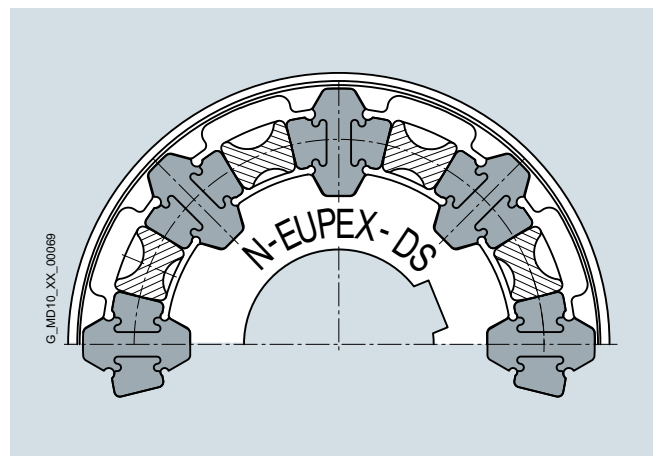
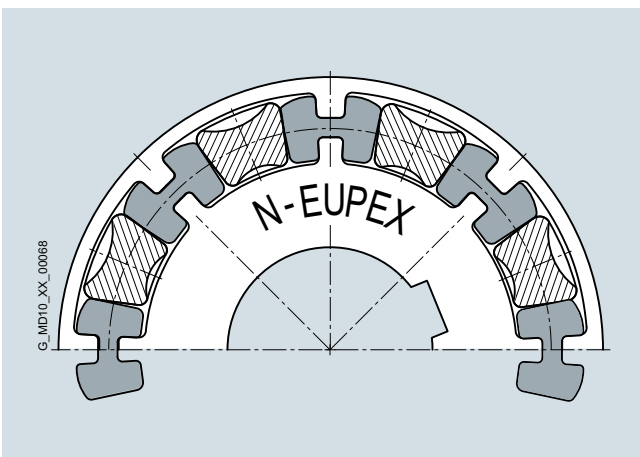


The flexibles of the N-EUPEX coupling are subjected to compression. If the flexibles are irreparably damaged, the hub parts come into contact with metal. This "emergency operation capability" is required, e.g., in the case of fire pump drives.

Elastomer flexible of the N-EUPEX DS series



The flexibles of the N-EUPEX DS series are subjected to compression and bending forces. If the flexibles are irreparably damaged, the metal parts turn against one another without contact, and the power transmission is separated. Fitting new flexibles will make the coupling once more usable. The capacity of the N-EUPEX DS series to shed overloads is especially in demand for highly sensitive machines.



FLENDER Standard Couplings

Flexible Couplings – N-EUPEX and N-EUPEX DS Series

General information

Benefits

N-EUPEX couplings are designed on the modular principle and have a very simple construction. N-EUPEX types are made up of subassemblies to suit requirements. The couplings are assembled by simply fitting the coupling halves together. Wear is restricted to the elastomer flexibles, which must be replaced at the end of their service life.

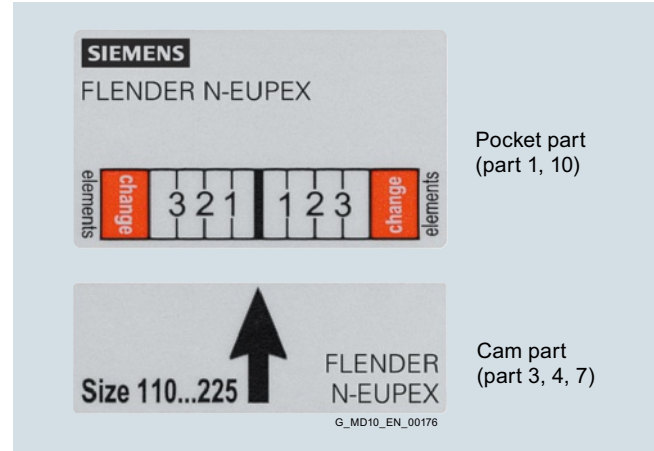
Depending on type, the elastomer flexibles can be changed without moving the coupled machines.

The coupling parts are readily available from stock and are mostly finish-machined, i.e. with finished bore, keyway, set screw and balancing.

Optionally:

The wear indicator for N-EUPEX couplings enables the condition of the flexible to be easily assessed. The wear condition can also be ascertained with the aid of a stroboscope while the coupling is rotating. The production process can thus continue undisturbed.

If the stroboscope is to be used in a potentially explosive environment, you can enquire about the equipment for this at Siemens.



The wear indicator must be attached to the outside diameter of the coupling after the coupling has been fitted.

Application

The N-EUPEX coupling is available as a catalog standard in 23 sizes with a rated torque of between 19 Nm and 62000 Nm. The coupling is suitable for use at ambient temperatures of between -30 °C and +80 °C. By using alternative elastomer buffers, the permissible ambient temperature range can be extended to between -50 °C and +100 °C.

Frequently, the coupling is used to connect the motor to the gear unit input shaft. The coupling is suitable especially for drives with uniform to average dynamic loads. Examples of applications are pump drives, ventilator drives or crane running gear. Furthermore, N-EUPEX couplings can be used as add-on couplings, particularly on FLUDEX fluid couplings or ARPEX AKR safety couplings. In the case of drives with a diesel engine, N-EUPEX couplings are suitable for driven machines with a low mass moment of inertia.

In the case of diesel engine drives, the actual dynamic coupling load should be checked by measurement or torsional vibration calculations.



Coupling suitable for use in potentially explosive atmospheres.

Complies with the current ATEX Directive for:

CE II 2 G T4 / T5 / T6 D120 °C
-30 °C ≤ T_a ≤ +80 °C / +50 °C / +40 °C

CE I M2

Function

The motor torque is transmitted to the hub at the drive end via the shaft-hub connection, which is mostly designed as a keyway connection. The torque is transmitted to the hub on the output side with the aid of elastomer flexibles. The hub on the output side further transmits the torque to the driven machine or a gear unit placed in between. Because of the primarily compression-loaded elastomer flexibles, the coupling has a progressive torsional stiffness.

In the case of the N-EUPEX DS coupling series, the elastomer flexible is subjected to bending and compression loads. In the event of overload or advanced wear, the coupling disconnects positively and the flexibles are irreparably damaged. The metal parts then rotate without touching one another. After new elastomer flexibles are fitted, the N-EUPEX DS coupling is once more operable.

N-EUPEX DS couplings are maintenance-free, even in potentially explosive environments, so long as the possible torque interruption does not lead to an unacceptable disruption of the production process.

FLENDER Standard Couplings

Flexible Couplings – N-EUPEX and N-EUPEX DS Series

General information

Design

N-EUPEX and N-EUPEX DS couplings consist of two hub parts mounted on the machine shafts. The coupling parts are connected positively by means of elastomer flexibles. On the two-part variant, the elastomer flexibles can be changed only if one

of the coupled machines is moved. On the three-part variants, the bolted cam ring can be released and moved to enable the flexible to be changed without moving the coupled machines.

Materials

Cam parts, pocket parts, adapters and hubs

Grey cast iron EN-GJL-250

Flexible materials

• N-EUPEX series

Material/description	Hardness	Identification	Ambient temperature
NBR standard type	80 ShoreA	Flexible black with blue stripe	-30 °C ... +80 °C
NBR electrically insulating	80 ShoreA	Flexible green	-30 °C ... +80 °C
NBR soft	65 ShoreA	Flexible black with green stripe	-30 °C ... +80 °C
NBR hard	90 ShoreA	Flexible black with magenta stripe	-30 °C ... +80 °C
NBR normal low-backlash	80 ShoreA	Flexible black with yellow stripe	-30 °C ... +80 °C
NBR soft low-backlash	65 ShoreA	Flexible black with white stripe	-30 °C ... +80 °C
NR for low temperature	80 ShoreA	Flexible black with orange stripe	-50 °C ... +50 °C
HNBR high temperature	80 ShoreA	Flexible black with red stripe	-10 °C ... +100 °C

• N-EUPEX DS series

Material/description	Hardness	Identification	Ambient temperature
NBR compound flexibles for sizes 66 ... 272	80/90 ShoreA	Flexible black	-30 °C ... +80 °C
NBR hard for sizes 305 ... 556	90 ShoreA	Flexible black	-30 °C ... +80 °C
PU electrically insulating	95 ShoreA	Flexible blue	-30 °C ... +50 °C

PU elastomer flexibles in special design on request.

The technical data and article numbers do not include the flexible variants NBR low-backlash, HNBR high temperature and NR low temperature and the DS flexibles polyurethane electrically insulating.

Technical data, prices and article numbers on request.

Brake disks

EN-GJS-400 spheroidal graphite cast iron or S355J2G3 steel

Brake drums

Grey cast iron EN-GJL-250

Types of N-EUPEX pin coupling

Type	Description
A	Fail-safe, 3-part
B	Fail-safe, 2-part
D	Fail-safe, 3-part, flange variant
E	Fail-safe, 2-part, flange variant
H	Fail-safe, with adapter
O	Fail-safe, 2-part, with brake drum
P	Fail-safe, 3-part, with brake drum
EBD	Fail-safe, 2-part, with brake disk
DBD	Fail-safe, 3-part, with brake disk
DBDR	Fail-safe, 3-part, with brake disk, brake disk radially dismountable
ADS	Non-fail-safe, 3-part
BDS	Non-fail-safe, 2-part
HDS	Non-fail-safe, with adapter

Further application-related coupling types are available. Dimension sheets for and information on these are available on request.

Low-temperature application

Shock loads in the drive caused by e.g. starting of drives with large masses to be accelerated (e.g. in fan drives) result in high component loads, particularly at low temperatures. For such applications a particularly robust coupling series must be selected. Of the flexible couplings, the RUPEX pin-and-bush coupling is especially suited for this.

Types of N-EUPEX pin coupling on request

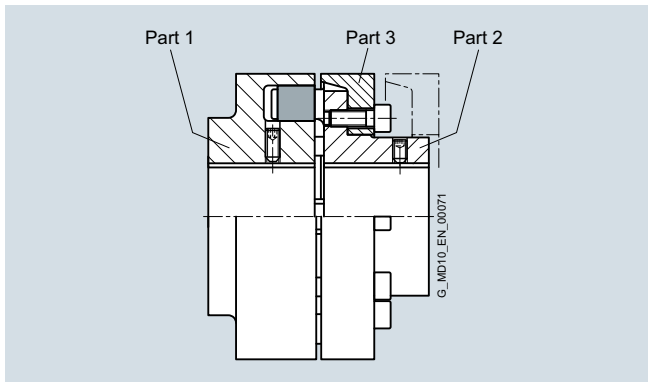
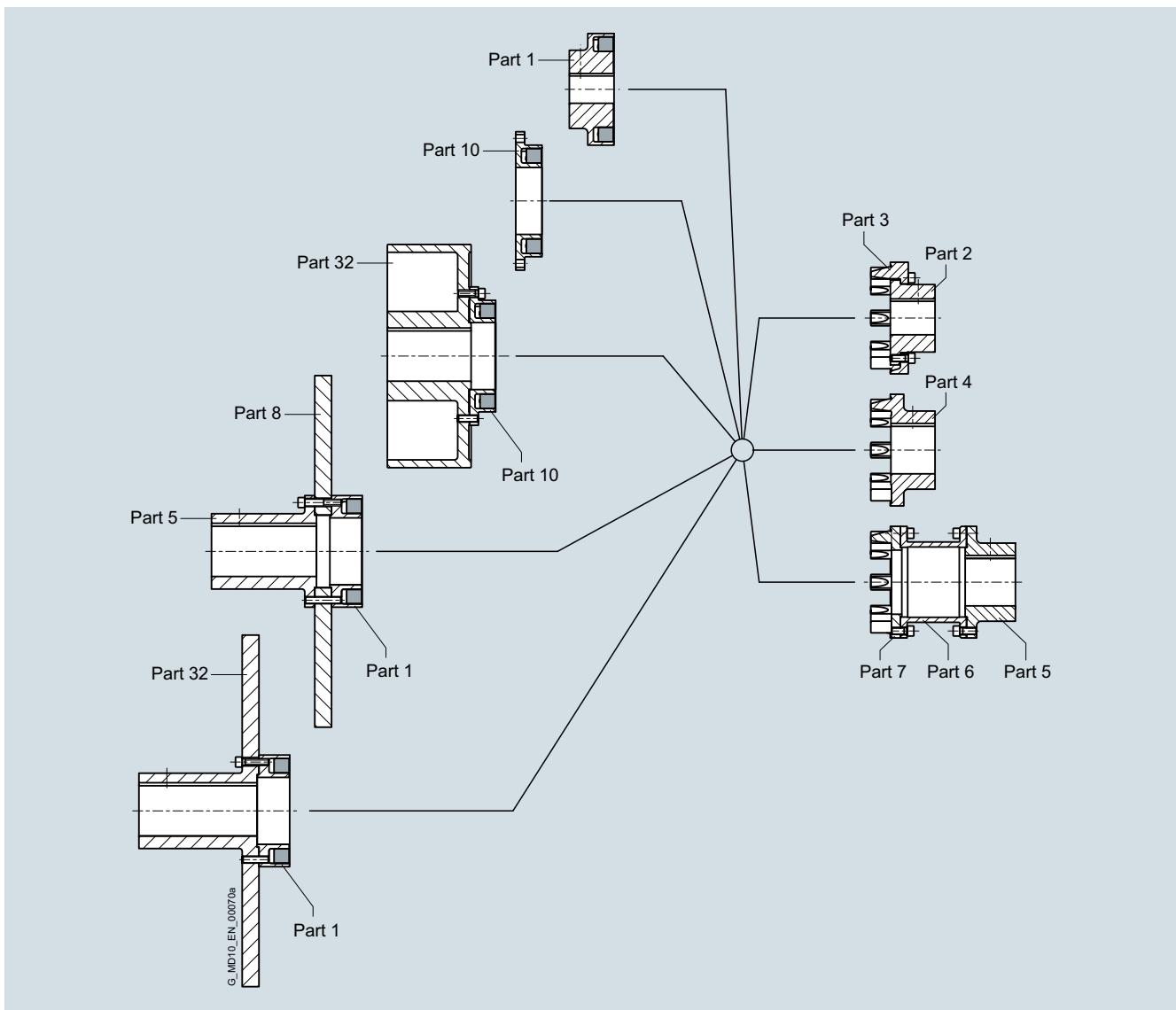
Type	Description
AT	Fail-safe, 3-part, with Taper clamping bush
BT	Fail-safe, 2-part, with Taper clamping bush
G	Fail-safe, 2-part, with intermediate shaft
F	Fail-safe, 3-part, with intermediate shaft
K	Fail-safe, 3-part, with brake drum to customer's requirement
L	Fail-safe, 2-part, with brake drum to customer's requirement
M	Fail-safe, 2-part, with flange dimensions to SAE J620d

FLENDER Standard Couplings

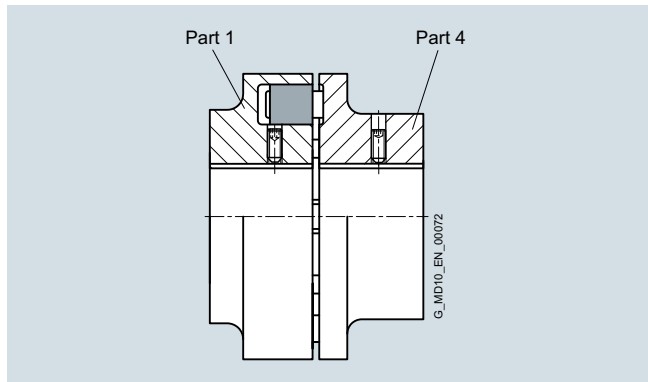
Flexible Couplings – N-EUPEX and N-EUPEX DS Series

General information

Modular principle of N-EUPEX types



Types A and ADS

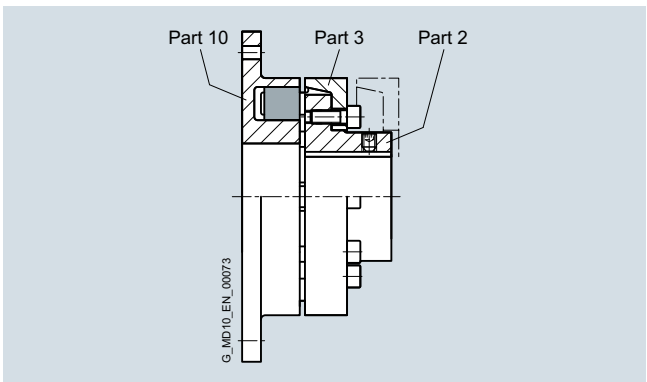


Types B and BDS

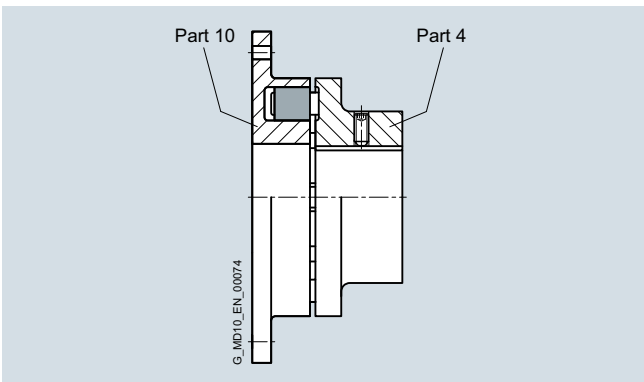
FLENDER Standard Couplings

Flexible Couplings – N-EUPEX and N-EUPEX DS Series

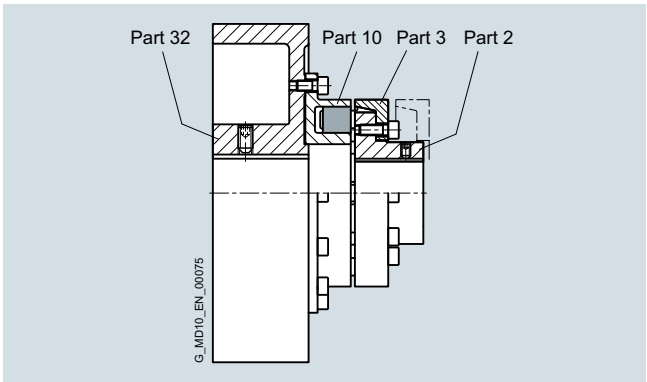
General information



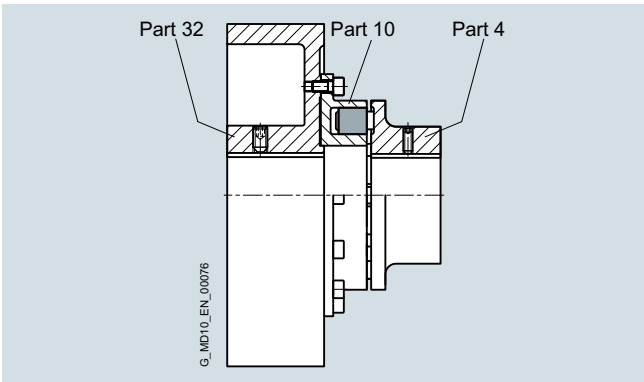
Type D



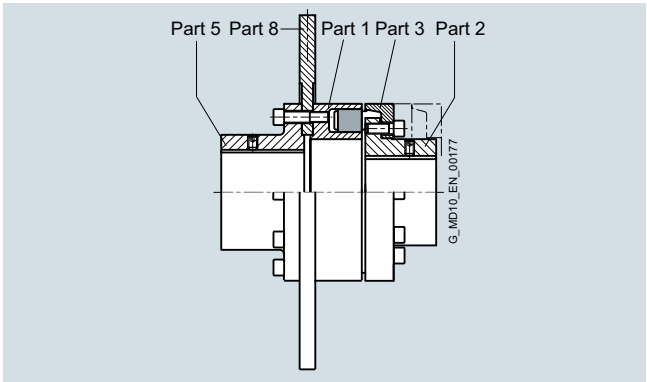
Type E



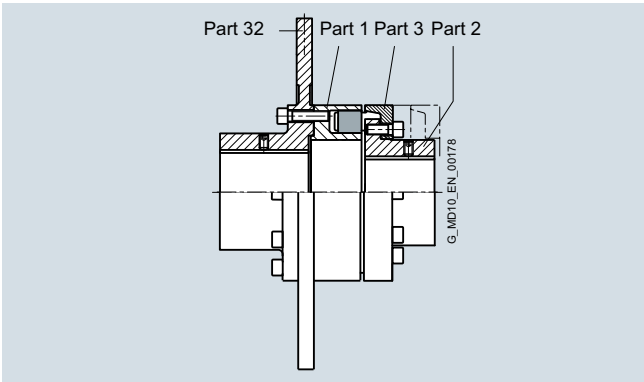
Type P



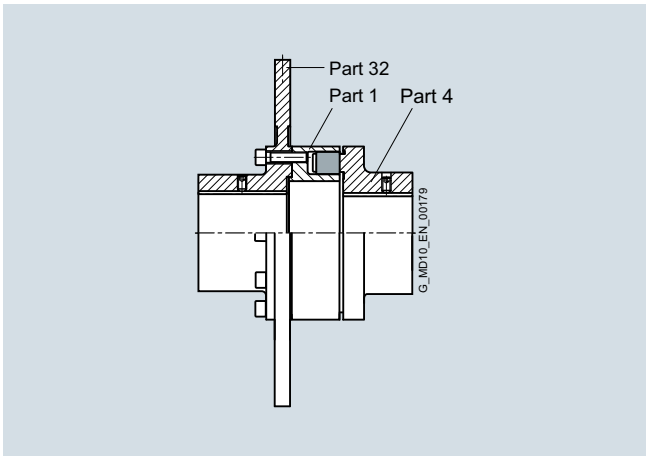
Type O



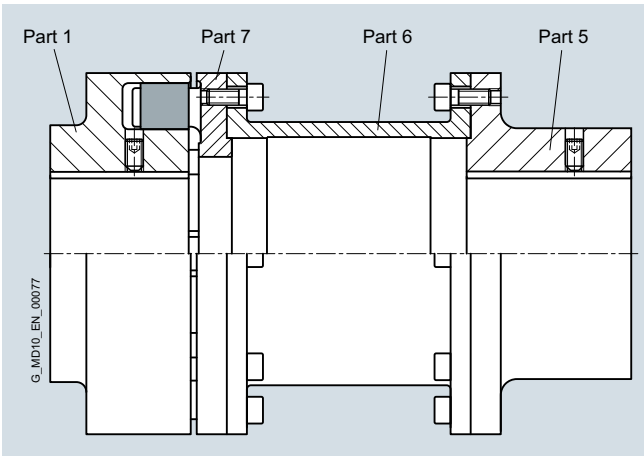
Type DBDR



Type DBD



Type EBD



Types H and HDS

Further application-related coupling types are available. Dimension sheets for and information on these are available on request.

7

FLENDER Standard Couplings

Flexible Couplings – N-EUPEX and N-EUPEX DS Series

General information

Technical data

Power ratings of the N-EUPEX series

Size	Rated torque for flexible type			Torsional stiffness at 50 % capacity utilization for flexible type			Assembly Gap dimension ²⁾ ΔS mm	Permitted shaft misalignment at $n = 1500 \text{ rpm}$ ¹⁾	
	65 ShoreA	80 ShoreA	90 ShoreA	65 ShoreA	80 ShoreA	90 ShoreA		Radial	Angle
	T_{KN} Nm	T_{KN} Nm	T_{KN} Nm	$C_{Tdyn} 50 \%$ kNm/rad	$C_{Tdyn} 50 \%$ kNm/rad	$C_{Tdyn} 50 \%$ kNm/rad		ΔK_r mm	ΔK_w °
58	11	19	19	0.21	0.50	0.93	1.0	0.2	0.15
68	21	34	34	0.39	0.90	1.80	1.0	0.2	0.15
80	37	60	60	1.05	2.40	4.50	1.0	0.2	0.12
95	63	100	100	1.64	4.00	7.40	1.0	0.2	0.12
110	100	160	160	2.49	6.00	11.4	1.0	0.2	0.10
125	150	240	240	3.70	9.00	17	1.0	0.25	0.10
140	230	360	360	5.60	13.2	25	1.0	0.25	0.10
160	350	560	560	11.2	26.7	51	2.0	0.3	0.10
180	550	880	880	19.2	46	88	2.0	0.3	0.10
200	850	1340	1340	31.6	75	139	2.0	0.3	0.09
225	1260	2000	2000	48	115	212	2.0	0.35	0.09
250	1760	2800	2800	68	162	302	2.5	0.35	0.08
280	2460	3900	3900	95	226	420	2.5	0.4	0.08
315	3500	5500	5500	171	370	730	2.5	0.4	0.08
350	4850	7700	7700	235	520	950	2.5	0.5	0.08
400	6500	10300	10300	316	750	1420	2.5	0.5	0.08
440	8500	13500	13500	390	930	1920	2.5	0.6	0.08
480	10500	16600	16600	510	1200	2300	2.5	0.6	0.07
520	13300	21200	21200	600	1410	2710	2.5	0.65	0.07
560	18300	29000	29000	1000	2340	4400	3.0	0.65	0.07
610	24000	38000	38000	1300	3030	5700	3.0	0.75	0.07
660	30900	49000	49000	1640	3800	7100	3.0	0.8	0.07
710	39000	62000	62000	2140	4900	9100	3.0	0.9	0.07

For maximum coupling torque:

$$T_{Kmax} = 3.0 \cdot T_{KN}$$

For coupling overload torque:

$$T_{KOL} = 3.5 \cdot T_{KN}$$

For coupling fatigue torque: $T_{KW} = 0.15 \cdot T_{KN}$, where $T_N > T_W$ must be adhered to.

Torsional stiffness and damping

The values stated in the above table apply to a capacity utilization of 50 %, an excitation amplitude of 10 % T_{KN} with the frequency 10 Hz and an ambient temperature of 20 °C. Dynamic torsional stiffness is dependent on load and increases in proportion to capacity utilization. The following table shows the correction factors for different nominal loads.

$$C_{Tdyn} = C_{Tdyn 50 \%} \cdot FKC$$

Correction factor FKC 65/80/90 ShoreA	Capacity utilization T_N / T_{KN}						
	20 %	40 %	50 %	60 %	70 %	80 %	100 %
	0.54	0.84	1.00	1.18	1.36	1.55	1.97

The damping coefficient is $\Psi = 1.4$

Furthermore, torsional stiffness and damping depend on the ambient temperature and the frequency and amplitude of the torsional vibration excitation. More precise torsional stiffness and damping parameters on request.

With elastic couplings the manufacturing process of the rubber elements and their aging primarily influence the rigidity value C_{Tdyn} . For this reason calculation must be made with a tolerance for the dynamic rigidity of $\pm 20 \%$. The specified damping coefficient Ψ is a minimum value with the result that the damping performance of the coupling corresponds at least to the specified value.

Permitted shaft misalignment

The permitted shaft misalignment depends on the operating speed. As the speed increases, lower shaft misalignment values are permitted. The following table shows the correction factors for different speeds.

The maximum speed for the respective coupling size must be observed!

$$\Delta K_{perm} = \Delta K_{1500} \cdot FKV$$

Correction factor FKV	Speed in rpm			
	500	1000	1500	3000
	1.7	1.2	1.0	0.7

For fitting, a maximum gap dimension of $S_{max.} = S + \Delta S$ and a minimum gap dimension of $S_{min.} = S - \Delta S$ are permitted.

Shaft misalignments ΔK_r and ΔK_w may occur simultaneously.

¹⁾ The maximum speed of the respective type must be noted. For further information on permissible shaft misalignment, please see the operating instructions.

²⁾ Does not apply to type H.
Gap dimension ΔS for types DBDR and DBD coupling sizes 250, 280, 315 and 350 as well as for type EBD coupling sizes 250 and 280 is $\pm 2/-3 \text{ mm}$.

FLENDER Standard Couplings

Flexible Couplings – N-EUPEX and N-EUPEX DS Series

General information

Power ratings of the N-EUPEX DS series

Size	Rated torque	Torsional stiffness at 50 % capacity utilization	Assembly	Permitted shaft misalignment at speed $n = 1500$ rpm	
	T_{KN} Nm	C_{Tdyn} kNm/rad	Gap dimension ¹⁾ ΔS mm	Radial ΔK_r mm	Angle ΔK_w °
66	19	0.73	1.0	0.2	0.15
76	34	1.36	1.0	0.2	0.15
88	60	2.62	1.0	0.2	0.12
103	100	4.00	1.0	0.2	0.12
118	160	6.30	1.0	0.2	0.10
135	240	10.5	1.0	0.25	0.10
152	360	13.6	1.0	0.25	0.10
172	560	27.2	2.0	0.3	0.10
194	880	47.0	2.0	0.3	0.10
218	1340	70.0	2.0	0.3	0.09
245	2000	106	2.0	0.35	0.09
272	2800	149	2.5	0.35	0.08
305	3900	214	2.5	0.4	0.08
340	5500	350	2.5	0.4	0.08
380	7700	480	2.5	0.5	0.08
430	10300	730	2.5	0.5	0.08
472	13500	990	2.5	0.6	0.08
514	16600	1270	2.5	0.6	0.07
556	21200	1540	2.5	0.65	0.07

Flexibles of sizes 66 to 272 are of the compound type with a hard core and soft thrust pieces. Sizes 305 to 556 are completely made of 90 ShoreA NBR material.

For maximum coupling torque:

$$T_{Kmax} = 2.0 \cdot T_{KN}$$

For coupling overload torque:

$$T_{KOL} = 3.0 \cdot T_{KN}$$

For coupling fatigue torque:

$$T_{KW} = 0.15 \cdot T_{KN}$$

Torsional stiffness and damping

The values stated in the above table apply to a capacity utilization of 50 %, an excitation amplitude of 10 % T_{KN} with the frequency 10 Hz and an ambient temperature of 20 °C. Dynamic torsional stiffness is dependent on load and increases in proportion to capacity utilization. The following table shows the correction factors for different rated loads.

$$C_{Tdyn} = C_{Tdyn\ 50\%} \cdot FKC$$

Correction factor FKC	Capacity utilization T_N / T_{KN}						
	20 %	40 %	50 %	60 %	70 %	80 %	100 %
	0.7	0.9	1	1.1	1.2	1.3	1.5

Permitted shaft misalignment

The permitted shaft misalignment depends on the operating speed. As the speed increases, lower shaft misalignment values are permitted. The following table shows the correction factors for different speeds.

The maximum speed for the respective coupling size must be noted!

$$\Delta K_{perm} = \Delta K_{1500} \cdot FKV$$

Correction factor FKV	Speed in rpm			
	500	1000	1500	3000
	1.7	1.2	1.0	0.7

For fitting, a maximum gap dimension of $S_{max.} = S + \Delta S$ and a minimum gap dimension of $S_{min.} = S - \Delta S$ are permitted.

Shaft misalignments ΔK_r and ΔK_w may occur simultaneously.

The damping coefficient is $\Psi = 1.4$

Torsional stiffness and damping is further dependent on the ambient temperature and the frequency and amplitude of the torsional vibration excitation. More precise torsional stiffness and damping parameters on request.

With elastic couplings the manufacturing process of the rubber elements and their aging primarily influence the rigidity value C_{Tdyn} . For this reason calculation must be made with a tolerance for the dynamic rigidity of ± 20 %. The specified damping coefficient Ψ is a minimum value with the result that the damping performance of the coupling corresponds at least to the specified value.

¹⁾ Does not apply to type HDS.

FLENDER Standard Couplings

Flexible Couplings – N-EUPEX and N-EUPEX DS Series

General information

Assignment of N-EUPEX sizes to IEC standard motors

The assignment applies to an application factor of 1.25.

Outputs P_M of IEC motors and assigned N-EUPEX couplings

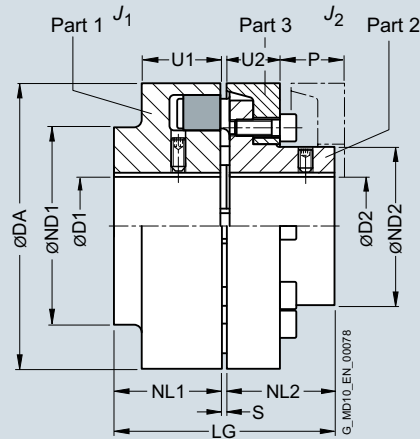
Three-phase motor Size	Output at ≈ 3000 rpm	N-EUPEX coupling Size	Output at ≈ 1500 rpm	N-EUPEX coupling Size	Output at ≈ 1000 rpm	N-EUPEX coupling Size	Output at ≈ 750 rpm	N-EUPEX coupling Size	DE shaft end D x E to IEC	
	P_M kW		P_M kW		P_M kW		P_M kW		D mm	E mm
56	0.09	58	0.06	58					9	20
	0.12		0.09							
63	0.18	58	0.12	58					11	23
	0.25		0.18							
71	0.37	58	0.25	58					14	30
	0.55		0.37							
80	0.75	58	0.55	58	0.37	58			19	40
	1.1		0.75		0.55					
90 S	1.5	68	1.1	68	0.75	68			24	50
90 L	2.2	68	1.5	68	1.1	68			24	50
100 L	3	80	2.2	80	1.5	80	0.75	80	28	60
			3				80		1.1	80
112 M	4	80	4	80	2.2	80	1.5	80	28	60
132 S	5.5	95	5.5	95	3	95	2.2	95	38	80
	7.5		95							
132 M			7.5	95	4	95	3	95	38	80
					5.5		95			
160 M	11	95	11	95	7.5	95	4	95	42	110
	15		95		5.5		95			
160 L	18.5	95	15	110	11	110	7.5	110	42	110
180 M	22	110	18.5	110					48	110
180 L			22	125	15	125	11	125	48	110
200 L	30	125	30	125	18.5	125	15	125	55	110
	37		125		22		140			
225 S			37	140			18.5	140	55	110
										60
225 M	45	125	45	140	30	140	22	140	55	110
									60	140
250 M	55	140	55	160	37	160	30	160	60	140
									65	140
280 S	75	160	75	180	45	180	37	180	65	140
									75	140
280 M	90	160	90	180	55	180	45	180	65	140
									75	140
315 S	110	160	110	200	75	200	55	200	65	140
									80	170
315 M	132	160	132	200	90	200	75	200	65	140
									80	170

FLENDER Standard Couplings

Flexible Couplings – N-EUPEX and N-EUPEX DS Series

Type A for easy elastomer flexible replacement

Selection and ordering data



Size	Rated torque flexible type 80 ShoreA T_{KN} Nm	Speed n_{Kmax} rpm	Dimensions in mm Bore with keyway to DIN 6885											Mass moment of inertia J_1/J_2 kgm ²	Article No. Order codes for bore diameters and tolerances are specified in catalog section 3	Weight m kg		
			D1 min.	D1 max.	D2 min.	D2 max.	DA	ND1	ND2	NL1/ NL2	S	U1	U2				P	LG
110	160	5300	-	48	-	38	110	86	62	40	3	34	20	33	83	0.003	2LC0100-4AB ■ ■ -0AA0	3
125	240	5100	-	55	-	45	125	100	75	50	3	36	23	38	103	0.005	2LC0100-5AB ■ ■ -0AA0	4.8
140	360	4900	-	60	-	50	140	100	82	55	3	34	28	43	113	0.008	2LC0100-6AB ■ ■ -0AA0	6
160	560	4250	-	65	-	58	160	108	95	60	4	39	28	47	124	0.014	2LC0100-7AB ■ ■ -0AA0	8.4
180	880	3800	-	75	-	65	180	125	108	70	4	42	30	50	144	0.025	2LC0100-8AB ■ ■ -0AA0	12
200	1340	3400	-	85	-	75	200	140	122	80	4	47	32	53	164	0.04	2LC0101-0AB ■ ■ -0AA0	17
225	2000	3000	-	90	-	85	225	150	138	90	4	52	38	61	184	0.08	2LC0101-1AB ■ ■ -0AA0	23
250	2800	2750	46	100	-	95	250	165	155	100	5.5	60	42	69	205.5	0.13	2LC0101-2AB ■ ■ -0AA0	31
280	3900	2450	49	110	54	105	280	180	172	110	5.5	65	42	73	225.5	0.20	2LC0101-3AB ■ ■ -0AA0	41
315	5500	2150	49	100	46	100	315	165	165	125	5.5	70	47	78	255.5	0.32	2LC0101-4AB ■ ■ -0AA0	57
			90	120	90	120		200	200							0.35		61
350	7700	2000	61	110	61	110	350	180	180	140	5.5	74	51	83	285.5	0.54	2LC0101-5AB ■ ■ -0AA0	78
			90	140	90	140		230	230							0.61		82
400	10300	1700	66	120	66	120	400	200	200	160	5.5	78	56	88	325.5	1.0	2LC0101-6AB ■ ■ -0AA0	112
			100	150	100	150		250	250							1.1		117
440	13500	1550	80	130	80	130	440	215	215	180	7.5	86	64	99	367.5	1.5	2LC0101-7AB ■ ■ -0AA0	147
			120	160	120	160		265	265							1.7		155
480	16600	1400	90	145	90	145	480	240	240	190	7.5	90	65	104	387.5	2.3	2LC0101-8AB ■ ■ -0AA0	184
			136	180	136	180		300	300							2.6		200
520	21200	1300	100	150	100	150	520	250	250	210	7.5	102	68	115	427.5	3.3	2LC0102-0AB ■ ■ -0AA0	234
			140	190	140	190		315	315							3.7		254
560	29000	1200	120	200	120	200	560	320	320	220	9	115	80	125	449	6.0	2LC0102-1AB ■ ■ -0AA0	329
610	38000	1100	130	220	130	220	610	352	352	240	9	121	88	135	489	9.0	2LC0102-2AB ■ ■ -0AA0	416
660	49000	1000	140	240	140	240	660	384	384	260	9	132	96	145	529	13.5	2LC0102-3AB ■ ■ -0AA0	546
710	62000	1000	140	260	140	260	710	416	416	290	9	138	102	155	589	19	2LC0102-4AB ■ ■ -0AA0	680

- ØD1:
- Without finished bore – Without order codes
 - Without finished bore sizes 315 to 520 for 2nd diameter range D1 – Without order codes
 - With finished bore – With order codes for diameter and tolerance (article number without "-Z")
- ØD2:
- Without finished bore – Without order codes
 - Without finished bore sizes 315 to 520 for 2nd diameter range D2 – Without order codes
 - With finished bore – With order codes for diameter and tolerance (article number without "-Z")

1
2
9
1
2
9

The hub diameter of the component part is assigned according to the diameter of the finished bore. Where bore diameters overlap, the component with the smaller hub diameter is always selected.

Weights and mass moments of inertia apply to maximum bore diameters.

The article number applies to standard flexibles of 80 ShoreA; the article number for alternative flexible types is available on request.

Ordering example:
N-EUPEX A coupling, size 200,
Part 1: Bore D1 65H7 mm, keyway to DIN 6885-1 and set screw,
Part 2: Bore D2 50H7 mm, keyway to DIN 6885-1 and set screw.

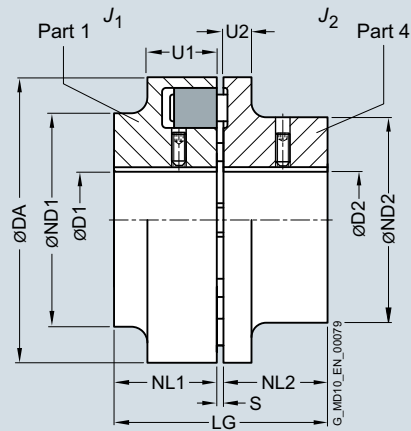
Article No.:
2LC0101-0AB99-0AA0
L1F+M1C

FLENDER Standard Couplings

Flexible Couplings – N-EUPEX and N-EUPEX DS Series

Type B

Selection and ordering data



Size	Rated torque flexible type 80 ShoreA T_{KN} Nm	Speed n_{Kmax} rpm	Dimensions in mm Bore with keyway to DIN 6885											Mass moment of inertia J_1/J_2 kgm ²	Article No. Order codes for bore diameters and tolerances are specified in catalog section 3	Weight m kg	
			D1 min.	D2 min.	DA	ND1	ND2	NL1/ NL2	S	U1	U2	LG					
58	19	7500	-	19	-	24	58	58	40	20	3	20	8	43	0.0001	2LC0100-0AA ■ ■ ■ -0AA0	0.4
68	34	7000	-	24	-	28	68	68	50	20	3	20	8	43	0.0002	2LC0100-1AA ■ ■ ■ -0AA0	0.54
80	60	6000	-	30	-	38	80	80	68	30	3	30	10	63	0.0006	2LC0100-2AA ■ ■ ■ -0AA0	1.3
95	100	5500	-	42	-	42	95	76	76	35	3	30	12	73	0.0013	2LC0100-3AA ■ ■ ■ -0AA0	2.2
110	160	5300	-	48	-	48	110	86	86	40	3	34	14	83	0.003	2LC0100-4AA ■ ■ ■ -0AA0	3.3
125	240	5100	-	55	-	55	125	100	100	50	3	36	18	103	0.006	2LC0100-5AA ■ ■ ■ -0AA0	5.2
140	360	4900	-	60	-	60	140	100	100	55	3	34	20	113	0.007	2LC0100-6AA ■ ■ ■ -0AA0	5.6
160	560	4250	-	65	-	65	160	108	108	60	4	39	20	124	0.01	2LC0100-7AA ■ ■ ■ -0AA0	7.8
180	880	3800	-	75	-	75	180	125	125	70	4	42	20	144	0.02	2LC0100-8AA ■ ■ ■ -0AA0	11.5
200	1340	3400	-	85	-	85	200	140	140	80	4	47	24	164	0.04	2LC0101-0AA ■ ■ ■ -0AA0	16
225	2000	3000	-	90	-	90	225	150	150	90	4	52	18	184	0.07	2LC0101-1AA ■ ■ ■ -0AA0	20
250	2800	2750	46	100	46	100	250	165	165	100	5.5	60	18	205.5	0.12	2LC0101-2AA ■ ■ ■ -0AA0	29
280	3900	2450	49	110	54	110	280	180	180	110	5.5	65	20	225.5	0.18	2LC0101-3AA ■ ■ ■ -0AA0	38
ØD1:																	
• Without finished bore – Without order codes																	
• With finished bore – With order codes for diameter and tolerance (article number without "-Z")																	
1																	
9																	
ØD2:																	
• Without finished bore – Without order codes																	
• With finished bore – With order codes for diameter and tolerance (article number without "-Z")																	
1																	
9																	

Weights and mass moments of inertia apply to maximum bore diameters.

Ordering example:

N-EUPEX B coupling, size 95,

Part 1: Bore D1 42H7 mm, keyway to DIN 6885-1 and set screw,

Part 2: Bore D2 32H7 mm, keyway to DIN 6885-1 and set screw.

Article No.:

2LC0100-3AA99-0AA0

LOX+M0T

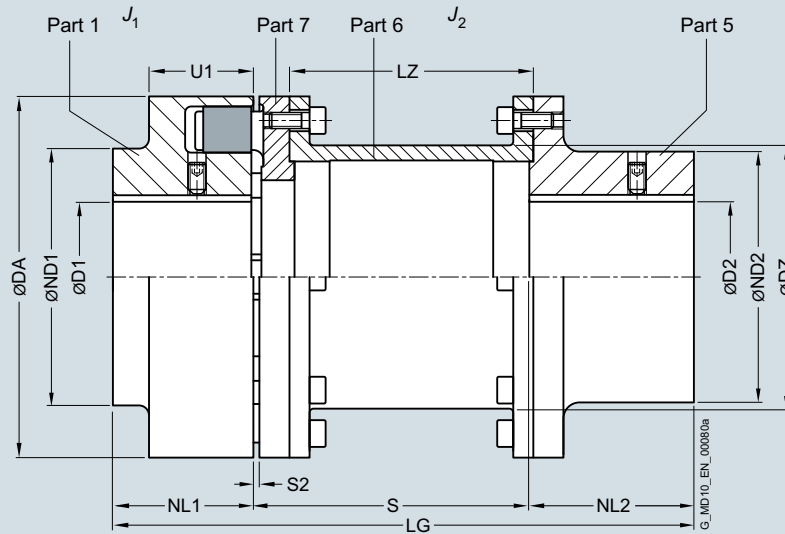
The article number applies to standard flexibles of 80 ShoreA; the article number for alternative flexible types is available on request.

FLENDER Standard Couplings

Flexible Couplings – N-EUPEX and N-EUPEX DS Series

Type H

Selection and ordering data



For dimension U1, see type A

Size	Rated torque flexible type 80 ShoreA T_{KN} Nm	Speed n_{Kmax} rpm	Dimensions in mm													Mass moment of inertia		Article No. Order codes for bore diameters and tolerances are specified in catalog section 3	Weight m kg																	
			Bore with keyway to DIN 6885		D1		D2		DA		ND1		ND2		NL1		NL2			S2		S		LZ		DZ		LG		J_1		J_2				
			min.	max.	min.	max.	min.	max.	min.	max.	min.	max.	min.	max.	min.	max.	min.	max.	min.	max.	min.	max.	min.	max.	min.	max.	min.	max.	min.	max.	min.	max.	min.	max.	min.	max.
80	60	6000	-	30	-	32	80	80	55	30	45	5	100	87	51	175	0.0006	0.001	2LC0100-2AG ■ ■ -0AA0	2.6																
													140	127	215	0.001	2LC0100-2AG ■ ■ -0AB0	2.7																		
95	100	5500	-	42	-	42	95	76	70	35	45	5	100	87	63	180	0.001	0.003	2LC0100-3AG ■ ■ -0AA0	3.5																
													140	127	220	0.003	2LC0100-3AG ■ ■ -0AB0	3.8																		
110	160	5300	-	48	-	48	110	86	80	40	50	5	100	85	73	190	0.003	0.005	2LC0100-4AG ■ ■ -0AA0	5.2																
													140	125	230	0.006	2LC0100-4AG ■ ■ -0AB0	5.4																		
													180	165	280	0.006	2LC0100-4AG ■ ■ -0AC0	6.0																		
125	240	5100	-	55	-	55	125	100	90	50	5	5	100	85	85	200	0.005	0.01	2LC0100-5AG ■ ■ -0AA0	7.2																
													140	125	240	0.01	2LC0100-5AG ■ ■ -0AB0	7.7																		
													180	165	290	0.011	2LC0100-5AG ■ ■ -0AC0	8.2																		
													200	185	320	0.012	2LC0100-5AG ■ ■ -0AD0	8.5																		
													250	235	380	0.012	2LC0100-5AG ■ ■ -0AE0	9																		
140	360	4900	-	60	-	60	140	100	100	55	65	5	100	82	91	220	0.007	0.018	2LC0100-6AG ■ ■ -0AA0	10.0																
													140	122	260	0.019	2LC0100-6AG ■ ■ -0AB0	10.5																		
													180	162	300	0.02	2LC0100-6AG ■ ■ -0AC0	11.0																		
													200	182	320	0.021	2LC0100-6AG ■ ■ -0AD0	11.3																		
													250	232	385	0.022	2LC0100-6AG ■ ■ -0AE0	12.0																		
160	560	4250	-	65	-	65	160	108	108	60	70	6	100	81.5	111	230	0.013	0.03	2LC0100-7AG ■ ■ -0AA0	13																
													140	121.5	270	0.032	2LC0100-7AG ■ ■ -0AB0	13.7																		
													180	161.5	310	0.034	2LC0100-7AG ■ ■ -0AC0	14.5																		
													200	181.5	330	0.035	2LC0100-7AG ■ ■ -0AD0	14.9																		
													250	231.5	390	0.037	2LC0100-7AG ■ ■ -0AE0	15.9																		
180	880	3800	-	75	-	75	180	125	125	70	80	6	140	121.5	131	290	0.023	0.054	2LC0100-8AG ■ ■ -0AB0	18.5																
													180	161.5	330	0.058	2LC0100-8AG ■ ■ -0AC0	19.4																		
													200	181.5	350	0.060	2LC0100-8AG ■ ■ -0AD0	21																		
													250	231.5	400	0.065	2LC0100-8AG ■ ■ -0AE0	22																		

ØD1: • Without finished bore – Without order codes

• With finished bore – With order codes for diameter and tolerance (article number without "-Z")

1

9

ØD2: • Without finished bore – Without order codes

• With finished bore – With order codes for diameter and tolerance (article number without "-Z")

1

9

FLENDER Standard Couplings

Flexible Couplings – N-EUPEX and N-EUPEX DS Series

Type H

Size	Rated torque flexible type 80 ShoreA T_{KN} Nm	Speed n_{Kmax} rpm	Dimensions in mm														Mass moment of inertia		Article No. Order codes for bore diameters and tolerances are specified in catalog section 3	Weight m kg	
			Bore with keyway to DIN 6885		D1	D2	DA	ND1	ND2	NL1	NL2	S2	S	LZ	DZ	LG	J_1	J_2			
			min.	max.																	min.
200	1340	3400	-	85	-	85	200	140	140	80	90	6	140	118.5	144	310	0.04	0.095	2LC0101-0AG ■ ■ ■ -0AB0	25.6	
													180	158.5	350	0.1				2LC0101-0AG ■ ■ ■ -0AC0	26.5
													200	178.5	370	0.105				2LC0101-0AG ■ ■ ■ -0AD0	27.2
													250	228.5	420	0.11				2LC0101-0AG ■ ■ ■ -0AE0	28.5
225	2000	3000	-	90	-	90	225	150	150	90	100	6	140	118.5	169	330	0.07	0.158	2LC0101-1AG ■ ■ ■ -0AB0	34	
													180	158.5	370	0.16				2LC0101-1AG ■ ■ ■ -0AC0	35
													200	178.5	390	0.17				2LC0101-1AG ■ ■ ■ -0AD0	36
													250	228.5	440	0.18				2LC0101-1AG ■ ■ ■ -0AE0	38
250	2800	2750	46	100	46	100	250	165	165	100	110	8	180	152.5	185	390	0.12	0.27	2LC0101-2AG ■ ■ ■ -0AC0	48	
													200	172.5	410	0.28				2LC0101-2AG ■ ■ ■ -0AD0	50
													250	222.5	460	0.3				2LC0101-2AG ■ ■ ■ -0AE0	52
280	3900	2450	49	110	51	110	280	180	180	110	120	8	250	222.5	215	480	0.20	0.52	2LC0101-3AG ■ ■ ■ -0AE0	70	
315	5500	2150	49	100	51	120	315	165	200	125	140	8	250	222.5	250	515	0.32	0.87	2LC0101-4AG ■ ■ ■ -0AE0	98	
			90	120	200	0.35	2LC0101-4AG ■ ■ ■ -0AE0	100													
350	7700	2000	61	110	51	140	350	180	230	140	150	8	250	220.5	272	540	0.54	1.4	2LC0101-5AG ■ ■ ■ -0AE0	120	
			90	140	230	0.61	2LC0101-5AG ■ ■ ■ -0AE0	125													
400	10300	1700	66	120	51	150	400	200	250	160	180	8	250	185.5	310	590	1.0	2.9	2LC0101-6AG ■ ■ ■ -0AE0	195	
			100	150	250	1.1	2LC0101-6AG ■ ■ ■ -0AE0	200													
440	13500	1550	80	130	51	160	440	215	265	180	180	10	250	182	354	610	1.5	4.1	2LC0101-7AG ■ ■ ■ -0AE0	225	
			120	160	265	1.7	2LC0101-7AG ■ ■ ■ -0AE0	230													
∅D1:		<ul style="list-style-type: none"> Without finished bore – Without order codes Without finished bore sizes 315 to 440 for 2nd diameter range D1 – Without order codes With finished bore – With order codes for diameter and tolerance (article number without "-Z") 																	1		
∅D2:		<ul style="list-style-type: none"> Without finished bore – Without order codes Without finished bore sizes 315 to 440 for 2nd diameter range D2 – Without order codes With finished bore – With order codes for diameter and tolerance (article number without "-Z") 																	1		
																			2		
																			9		
																			9		

During assembly, the gap dimension S2 must not exceed the permissible tolerance of +1 mm.

The hub diameter of the component part is assigned according to the diameter of the finished bore. Where bore diameters overlap, the component with the smaller hub diameter is always selected.

Weights and mass moments of inertia apply to maximum bore diameters.

Ordering example:

N-EUPEX H coupling, size 160, S = 200 mm,

Part 1: Bore D1 60H7 mm, keyway to DIN 6885-1 and set screw,

Part 2: Bore D2 55H7 mm, keyway to DIN 6885-1 and set screw.

Article No.:

2LC0100-7AG99-0AD0

L1E+M1D

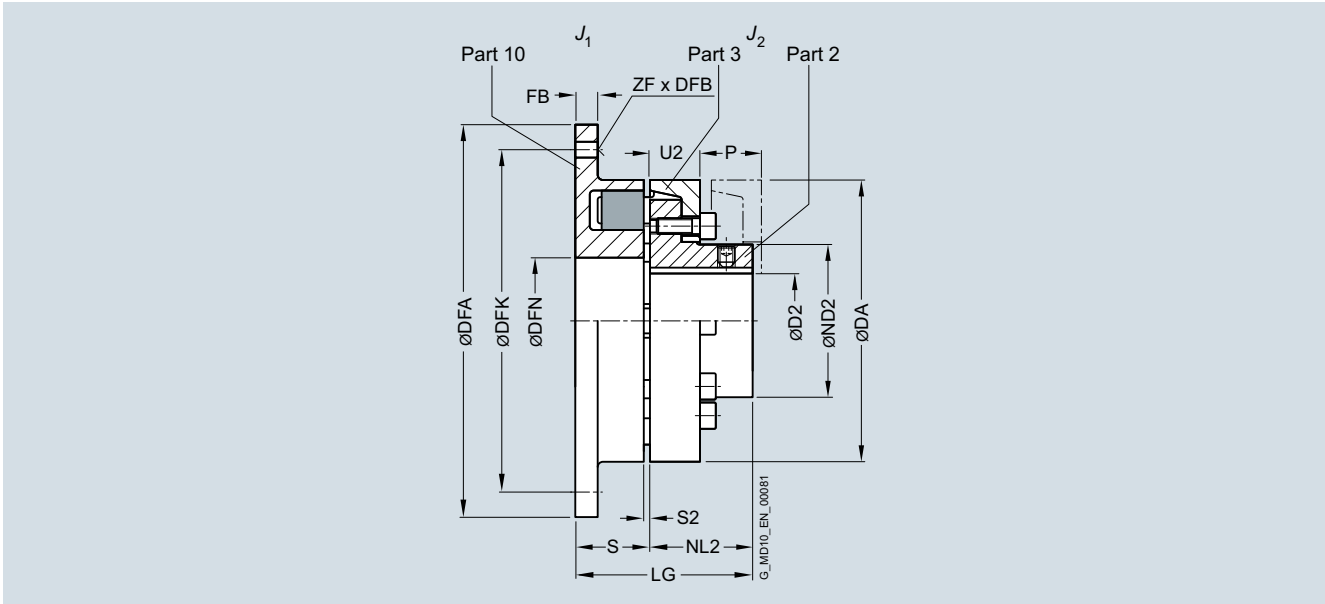
The article number applies to standard flexibles of 80 ShoreA; the article number for alternative flexible types is available on request.

FLENDER Standard Couplings

Flexible Couplings – N-EUPEX and N-EUPEX DS Series

Type D for easy elastomer replacement

Selection and ordering data



For dimensions U2 and P, see type A

Size	Rated torque flexible type 80 ShoreA T_{KN} Nm	Speed n_{Kmax} rpm	Dimensions in mm										Mass moment of inertia		Article No. Order codes for bore diameters and tolerances are specified in catalog section 3	Weight m kg				
			Bore with keyway to DIN 6885 D2 min. max.		DA	ND2	NL2	S2	S	LG	Flange connection dimensions DFA h8 DFN H7 DFK FB ZF DFB		J_1	J_2						
110	160	5300	-	38	110	62	40	3	30	70	144	62	128	10	6	9	0.0034	0.003	2LC0100-4AD1 ■ -0AA0	2.7
125	240	5100	-	45	125	75	50	3	34	84	158	75	142	10	6	9	0.0052	0.005	2LC0100-5AD1 ■ -0AA0	3.9
140	360	4900	-	50	140	82	55	3	37	92	180	82	160	13	6	11	0.011	0.008	2LC0100-6AD1 ■ -0AA0	5.6
160	560	4250	-	58	160	95	60	4	43	103	200	95	180	13	7	11	0.017	0.014	2LC0100-7AD1 ■ -0AA0	7.5
180	880	3800	-	65	180	108	70	4	46	116	220	110	200	13	8	11	0.026	0.025	2LC0100-8AD1 ■ -0AA0	10.3
200	1340	3400	-	75	200	122	80	4	51	131	248	120	224	16	8	14	0.051	0.04	2LC0101-0AD1 ■ -0AA0	14.7
225	2000	3000	-	85	225	138	90	4	56	146	274	135	250	16	8	14	0.085	0.08	2LC0101-1AD1 ■ -0AA0	19.5
250	2800	2750	-	95	250	155	100	5.5	65.5	165.5	314	150	282	20	8	18	0.16	0.13	2LC0101-2AD1 ■ -0AA0	28.0
280	3900	2450	54	105	280	172	110	5.5	70.5	180.5	344	170	312	20	8	18	0.24	0.2	2LC0101-3AD1 ■ -0AA0	35.0
315	5500	2150	46	100	315	165	125	5.5	75.5	200.5	380	200	348	22	9	18	0.4	0.32	2LC0101-4AD1 ■ -0AA0	47
	5500	2150	46	100	315	165	125	5.5	75.5	200.5	380	200	348	22	9	M16	0.4	0.32	2LC0101-4AD1 ■ -0AA0	47
7700	2000	61	110	350	180	140	5.5	79.5	219.5	430	225	390	25	9	22	0.7	0.54	2LC0101-5AD1 ■ -0AA0	64	
																				90
7700	2000	61	110	350	180	140	5.5	79.5	219.5	430	225	390	25	9	M20	0.7	0.54	2LC0101-5AD1 ■ -0AA0	64	
																				90
10300	1700	66	120	400	200	160	5.5	83.5	243.5	480	265	440	25	10	22	1.1	1.0	2LC0101-6AD1 ■ -0AA0	86	
																				100
10300	1700	66	120	400	200	160	5.5	83.5	243.5	480	265	440	25	10	M20	1.1	1.0	2LC0101-6AD1 ■ -0AA0	86	
																				100

- ∅D2:
- Without finished bore – Without order codes
 - Without finished bore – Only for sizes 315 to 520 in each case with a larger diameter D2 – Without order codes
 - With finished bore – With order codes for diameter and tolerance (article number without "-Z")

1
2
9

FLENDER Standard Couplings

Flexible Couplings – N-EUPEX and N-EUPEX DS Series

Type D for easy elastomer replacement

Size	Rated torque flexible type 80 ShoreA T_{KN} Nm	Speed n_{Kmax} rpm	Dimensions in mm													Mass moment of inertia		Article No. Order codes for bore diameters and tolerances are specified in catalog section 3	Weight m kg	
			Bore with keyway to DIN 6885		Flange connection dimensions											J_1	J_2			
			D2 min.	D2 max.	DA	ND2	NL2	S2	S	LG	DFA h8	DFN H7	DFK	FB	ZF	DFB	kgm ²			kgm ²
440	13500	1550	80	130	440	215	180	7.5	93.5	273.5	520	295	480	25	10	22	1.7	1.5	2LC0101-7AD1 ■ -0AA0	114
			120	160		265														1.7
440	13500	1550	80	130	440	215	180	7.5	93.5	273.5	520	295	480	25	10	M20	1.7	1.5	2LC0101-7AD2 ■ -0AA0	114
			120	160		265														1.7
480	16600	1400	90	145	480	240	190	7.5	97.5	287.5	575	325	528	30	10	26	2.7	2.3	2LC0101-8AD1 ■ -0AA0	146
			136	180		300														2.6
480	16600	1400	90	145	480	240	190	7.5	97.5	287.5	575	325	528	30	10	M24	2.7	2.3	2LC0101-8AD2 ■ -0AA0	146
			136	180		300														2.6
520	21200	1300	100	150	520	250	210	7.5	109.5	319.5	615	355	568	30	10	26	3.8	3.3	2LC0102-0AD1 ■ -0AA0	177
			140	190		315														3.7
520	21200	1300	100	150	520	250	210	7.5	109.5	319.5	615	355	568	30	10	M24	3.8	3.3	2LC0102-0AD2 ■ -0AA0	177
			140	190		315														3.7

- ∅D2:
- Without finished bore – Without order codes
 - Without finished bore – Only for sizes 315 to 520 in each case with a larger diameter D2 – Without order codes
 - With finished bore – With order codes for diameter and tolerance (article number without "-Z")

1
2
9

The hub diameter of the component part is assigned according to the diameter of the finished bore. Where bore diameters overlap, the component with the smaller hub diameter is always selected.

Weights and mass moments of inertia apply to maximum bore diameters.

Ordering example:

N-EUPEX D coupling, size 125,

Part 10: with through bores,

Part 2: Bore D2 38H7 mm, with keyway to DIN 6885-1 and set screw.

Article No.:

2LC0100-5AD19-0AA0

MOV

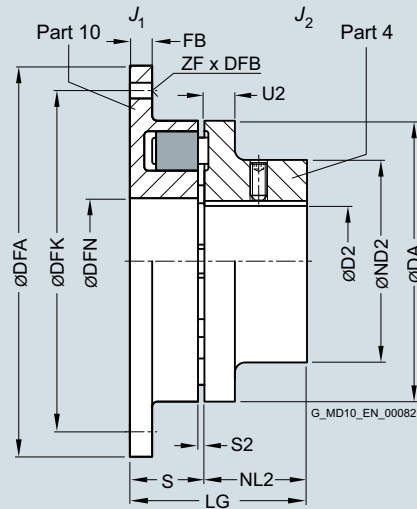
The article number applies to standard flexibles of 80 ShoreA; the article number for alternative flexible types is available on request.

FLENDER Standard Couplings

Flexible Couplings – N-EUPEX and N-EUPEX DS Series

Type E

Selection and ordering data



For dimension U2, see type B

Size	Rated torque flexible type 80 ShoreA T_{KN} Nm	Speed n_{Kmax} rpm	Dimensions in mm										Mass moment of inertia		Article No. Order codes for bore diameters and tolerances are specified in catalog section 3	Weight m kg				
			Bore with keyway to DIN 6885			Flange connection dimensions							J_1	J_2						
			D2 min.	DA	ND2	NL2	S2	S	LG	DFA h8	DFN H7	DFK	FB	ZF	DFB	kgm ²	kgm ²			
68	34	7000	–	28	68	50	20	3	23	43	90	34	80	7	6	5.5 M5	0.0004	0.0002	2LC0100-1AC1 ■ -0AA0 2LC0100-1AC2 ■ -0AA0	0.63
80	60	6000	–	38	80	68	30	3	24	54	106	42	94	8	6	6.6 M6	0.0008	0.0006	2LC0100-2AC1 ■ -0AA0 2LC0100-2AC2 ■ -0AA0	1.35
95	100	5500	–	42	95	76	35	3	27	62	120	52	108	8	6	6.6 M6	0.0014	0.0013	2LC0100-3AC1 ■ -0AA0 2LC0100-3AC2 ■ -0AA0	2.0
110	160	5300	–	48	110	86	40	3	30	70	144	62	128	10	6	9 M8	0.0034	0.0030	2LC0100-4AC1 ■ -0AA0 2LC0100-4AC2 ■ -0AA0	3.0
125	240	5100	–	55	125	100	50	3	34	84	158	75	142	10	6	9 M8	0.0052	0.0060	2LC0100-5AC1 ■ -0AA0 2LC0100-5AC2 ■ -0AA0	4.5
140	360	4900	–	60	140	100	55	3	37	92	180	82	160	13	6	11 M10	0.011	0.007	2LC0100-6AC1 ■ -0AA0 2LC0100-6AC2 ■ -0AA0	5.6
160	560	4250	–	65	160	108	60	4	43	103	200	95	180	13	7	11 M10	0.017	0.01	2LC0100-7AC1 ■ -0AA0 2LC0100-7AC2 ■ -0AA0	7.2
180	880	3800	–	75	180	125	70	4	46	116	220	110	200	13	8	11 M10	0.026	0.02	2LC0100-8AC1 ■ -0AA0 2LC0100-8AC2 ■ -0AA0	10.3
200	1340	3400	–	85	200	140	80	4	51	131	248	120	224	16	8	14 M12	0.051	0.04	2LC0101-0AC1 ■ -0AA0 2LC0101-0AC2 ■ -0AA0	14
225	2000	3000	–	90	225	150	90	4	56	146	274	135	250	16	8	14 M12	0.085	0.07	2LC0101-1AC1 ■ -0AA0 2LC0101-1AC2 ■ -0AA0	17
250	2800	2750	46	100	250	165	100	5.5	65.5	165.5	314	150	282	20	8	18 M16	0.16	0.12	2LC0101-2AC1 ■ -0AA0 2LC0101-2AC2 ■ -0AA0	26
280	3900	2450	54	110	280	180	110	5.5	70.5	180.5	344	170	312	20	8	18 M16	0.24	0.18	2LC0101-3AC1 ■ -0AA0 2LC0101-3AC2 ■ -0AA0	32

- ØD2:
- Without finished bore – Without order codes
 - With finished bore – With order codes for diameter and tolerance (article number without "-Z")

1
9

Weights and mass moments of inertia apply to maximum bore diameters.

Ordering example:

N-EUPEX E coupling, size 125,
Part 10 with through bores,
Part 4: Bore D2 38H7 mm, keyway to DIN 6885-1 and set screw.

Article No.:
2LC0100-5AC19-0AA0
MOV

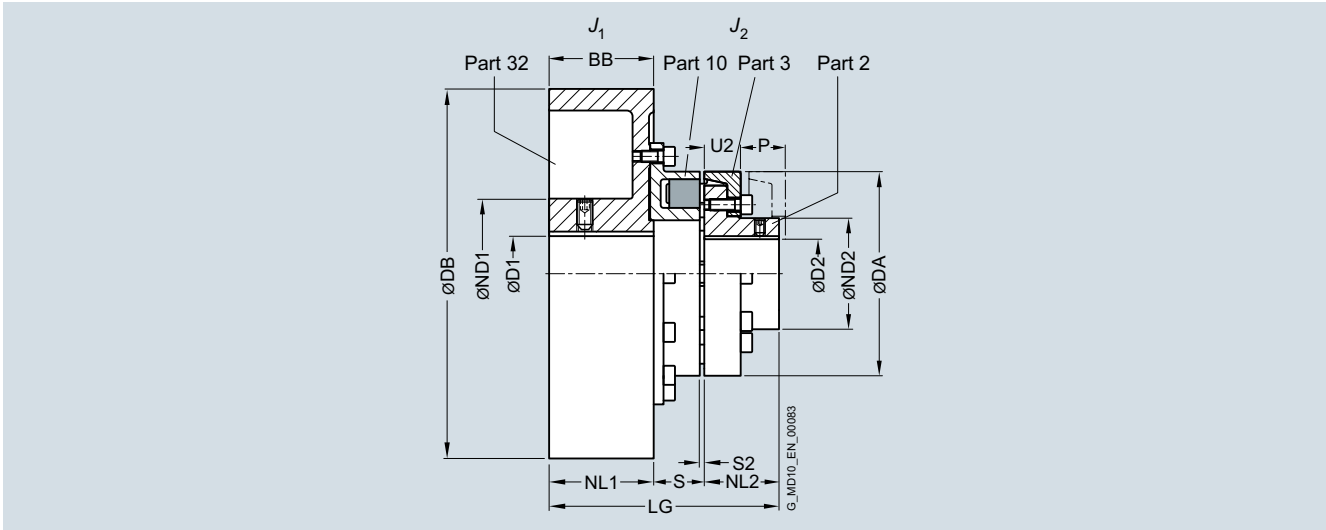
The article number applies to standard flexibles of 80 ShoreA; the article number for alternative flexible types is available on request.

FLENDER Standard Couplings

Flexible Couplings – N-EUPEX and N-EUPEX DS Series

Type P with brake drum
for easy elastomer replacement

Selection and ordering data



For dimensions U2 and P, see type A

Size	Rated torque flexible type 80 ShoreA T_{KN} Nm	Speed n_{Kmax} rpm	Dimensions in mm Bore with keyway to DIN 6885													Mass moment of inertia		Article No. Order codes for bore diameters and tolerances are specified in catalog section 3	Weight m kg										
			D1		D2		DA		ND1		ND2		NL1/ NL2		S2		DB			U2		LG		J_1	J_2				
			min.	max.	min.	max.	min.	max.	min.	max.	min.	max.	min.	max.	min.	max.	min.			max.	min.	max.	min.	max.	kgm ²	kgm ²			
125	240	3400	-	55	-	45	125	84	75	75	50	3	31	200	23	156	0.043	0.004	2LC0100-5AF	-0BA0	10,9								
140	360	2750	-	60	-	50	140	128	82	95	55	3	34	250	28	184	0.13	0.008	2LC0100-6AF	-0CA0	21								
160	560	2750	-	70	-	58	160	128	95	95	60	4	40	250	28	195	0.14	0.014	2LC0100-7AF	-0CA0	22								
180	880	2750	-	80	-	65	180	128	108	95	70	4	41	250	30	206	0.16	0.025	2LC0100-8AF	-0CA0	28								
200	1340	2150	-	80	-	75	200	128	122	118	80	4	48	315	32	246	0.37	0.04	2LC0101-0AF	-0DA0	40								
225	2000	1700	-	90	-	85	225	128	138	118	90	4	51	315	38	259	0.39	0.08	2LC0101-1AF	-0DA0	47								
250	2800	1400	-	100	-	95	250	160	155	150	100	5.5	63.5	400	42	313.5	1.16	0.13	2LC0101-2AF	-0FA0	76								
280	3900	1100	-	100	54	105	280	160	172	150	110	5.5	65.5	400	42	325.5	1.24	0.2	2LC0101-3AF	-0FA0	85								
315	5500	1400	-	100	46	100	315	160	165	150	125	5.5	73.5	400	47	348.5	1.4	0.32	2LC0101-4AF	-0FA0	96								
315	5500	1100	-	100	90	120	315	160	200	150	125	5.5	73.5	400	47	348.5	1.4	0.35	2LC0101-4AF	-0FA0	97								
350	7700	1000	-	110	61	110	350	175	180	236	140	5.5	76.5	630	51	452.5	8.5	0.54	2LC0101-5AF	-0KA0	200								
350	7700	1000	-	110	90	140	350	175	230	236	140	5.5	76.5	630	51	452.5	8.5	0.61	2LC0101-5AF	-0KA0	203								

øD1:	• Without finished bore – Without order codes	1
	• With finished bore – With order codes for diameter and tolerance (article number without "-Z")	9
øD2:	• Without finished bore – Without order codes	1
	• With finished bore – With order codes for diameter and tolerance (article number without "-Z")	9

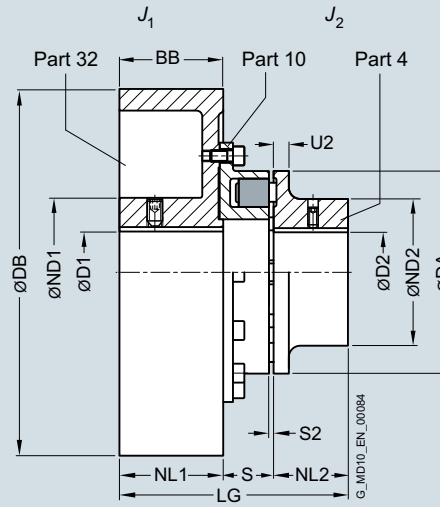
Weights and mass moments of inertia apply to maximum bore diameters.

FLENDER Standard Couplings

Flexible Couplings – N-EUPEX and N-EUPEX DS Series

Type O with brake drum

Selection and ordering data



Size	Rated torque flexible type 80 ShoreA T_{KN} Nm	Speed n_{Kmax} rpm	Dimensions in mm Bore with keyway to DIN 6885													Mass moment of inertia		Article No. Order codes for bore diameters and tolerances are specified in catalog section 3	Weight m kg	
			D1		D2		DA	ND1	ND2	NL1	NL2	S2	S	DB	U2	LG	J_1			J_2
			min.	max.	min.	max.				BB							kgm ²			kgm ²
125	240	3400	–	55	–	55	125	84	100	75	50	3	31	200	18	156	0.043	0.006	2LC0100-5AE ■ ■ ■ -0BA0	11.3
140	360	2750	–	60	–	60	140	128	100	95	55	3	34	250	20	184	0.13	0.007	2LC0100-6AE ■ ■ ■ -0CA0	22.3
160	560	2750	–	70	–	65	160	128	108	95	60	4	40	250	20	195	0.14	0.01	2LC0100-7AE ■ ■ ■ -0CA0	24
180	880	2750	–	80	–	75	180	128	125	95	70	4	41	250	20	206	0.16	0.02	2LC0100-8AE ■ ■ ■ -0CA0	28
		2150	–	80						118				43	315	231	0.35		2LC0100-8AE ■ ■ ■ -0DA0	35
200	1340	2150	–	80	–	85	200	128	140	118	80	4	48	315	24	246	0.37	0.04	2LC0101-0AE ■ ■ ■ -0DA0	40
		1700	–	90				160	150					48	400	278	1.10		2LC0101-0AE ■ ■ ■ -0FA0	60
		1400	–	110				175	190					48	500	318	2.80		2LC0101-0AE ■ ■ ■ -0HA0	98
225	2000	2150	–	80	–	90	225	128	150	118	90	4	51	315	18	259	0.39	0.07	2LC0101-1AE ■ ■ ■ -0DA0	45
		1700	–	90				160	150					53	400	293	1.10		2LC0101-1AE ■ ■ ■ -0FA0	63
		1400	38	110				175	190					53	500	333	3.10		2LC0101-1AE ■ ■ ■ -0HA0	102
250	2800	1700	–	100	46	100	250	160	165	150	100	5.5	63.5	400	18	313.5	1.16	0.12	2LC0101-2AE ■ ■ ■ -0FA0	73
		1400	38	110				175	190					63.5	500	353.5	2.90		2LC0101-2AE ■ ■ ■ -0HA0	108
280	3900	1700	–	100	54	110	280	160	180	150	110	5.5	65.5	400	20	325.5	1.24	0.18	2LC0101-3AE ■ ■ ■ -0FA0	82
		1400	48	110				175	190					68.5	500	368.5	3.10		2LC0101-3AE ■ ■ ■ -0HA0	115
		1100	48	110				175	236					68.5	630	414.5	8.0		2LC0101-3AE ■ ■ ■ -0KA0	168
ØD1:		<ul style="list-style-type: none"> Without finished bore – Without order codes With finished bore – With order codes for diameter and tolerance (article number without "-Z") 																	1 9	
ØD2:		<ul style="list-style-type: none"> Without finished bore – Without order codes With finished bore – With order codes for diameter and tolerance (article number without "-Z") 																	1 9	

Weights and mass moments of inertia apply to maximum bore diameters.

Ordering example:

N-EUPEX O coupling, size 200,
brake drum 315 x 118 mm,
Part 32: Bore D1 55H7 mm, keyway to DIN 6885 P9 and set screw,
Part 4: Bore D2 60H7 mm, keyway to DIN 6885 and set screw.

Coupling micro-balanced G6.3 at 1500 rpm in accordance with half parallel key standard.

Article No.:

**2LC0101-0AE99-0DA0-Z
L1D+M1E+W02**

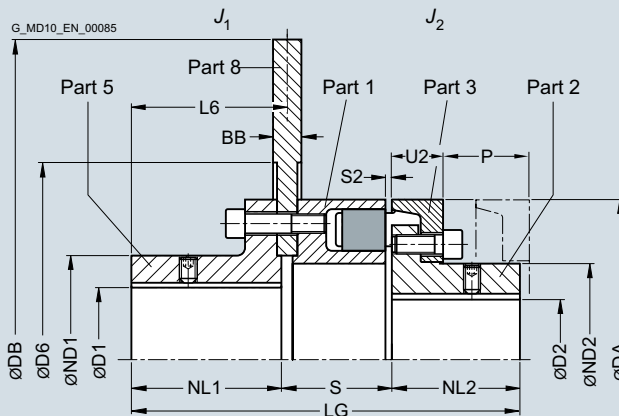
The article number applies to standard flexibles of 80 ShoreA; the article number for alternative flexible types is available on request.

FLENDER Standard Couplings

Flexible Couplings – N-EUPEX and N-EUPEX DS Series

Type DBDR with brake disk for easy elastomer flexible replacement

Selection and ordering data



For dimensions U2 and P, see type A

Size	Rated torque flexible type 80 ShoreA T_{KN} Nm	Dimensions in mm														Mass moment of inertia		Article No. Plain text specification DB; BB; D6; NL1 required for order code P0Y Order codes for bore diameters and tolerances are specified in catalog section 3	Weight m min. kg														
		Bore with keyway to DIN 6885			DA		ND1		ND2		NL1		NL2		S		S2			DB		D6		BB		L6		LG		J_1	J_2		
		D1	D2	DA	ND1	ND2	NL1	NL2	S	S2	DB	D6	BB	L6	LG	J_1	J_2																
140	360	55	-	50	140	85	82	72	55	54.35	3	315	175	12.7	74	181.35	0.11	0.008	2LC0100-6AV	■ ■ -OZA0	15.5												
								72	57.5	15	76			184.5	0.13	P0Y	17																
								188	73	30	200			316	0.24	28.5																	
160	560	70	-	58	160	105	95	90	60	58.35	4	315	175	12.7	91	208.35	0.12	0.014	2LC0100-7AV	■ ■ -OZA0	19												
								90	62.5	15	94			212.5	0.14	P0Y	20.5																
								188	78	30	200			326	0.26	32																	
180	880	80	-	65	180	125	108	90	70	60.35	4	355	200	12.7	91	220.35	0.35	0.025	2LC0100-8AV	■ ■ -OZA0	25.5												
								90	64.5	15	94			224.5	0.37	P0Y	27																
								188	80	30	200			338	0.57	43																	
200	1340	90	-	75	200	135	122	95	80	67.35	4	400	220	12.7	97	242.35	0.32	0.04	2LC0101-0AV	■ ■ -OZA0	33												
								95	70.5	15	99			245.5	0.36	P0Y	36																
								188	86	30	200			354	0.67	55																	
225	2000	105	-	85	225	160	138	100	90	72.35	4	450	250	12.7	103	262.35	0.52	0.08	2LC0101-1AV	■ ■ -OZA0	44												
								100	74.5	15	104			264.5	0.59	P0Y	47																
								188	90	30	200			368	1.1	72																	
250	2800	110	-	95	250	170	155	105	100	83.35	6	500	280	12.7	107	288.35	1.6	0.13	2LC0101-2AV	■ ■ -OZA0	58												
								105	86.5	15	109			291.5	1.7	P0Y	61																
								188	102	30	200			390	2.5	90																	
280	3900	130	54	105	280	200	172	120	110	87.35	6	560	310	12.7	122	317.35	1.3	0.20	2LC0101-3AV	■ ■ -OZA0	76												
								120	90.5	15	124			320.5	1.5	P0Y	80																
								188	106	30	200			404	2.7	115																	
315	5500	130	46	100	315	200	165	130	125	87.35	6	630	350	12.7	130	342.35	2.1	0.32	2LC0101-4AV	■ ■ -OZA0	98												
								130	92.5	15	134			347.5	2.3	P0Y	100																
								188	108	30	200			421	4.2	140																	
315	5500	130	90	120	315	200	200	130	125	87.35	6	630	350	12.7	130	342.35	2.1	0.35	2LC0101-4AV	■ ■ -OZA0	100												
								130	92.5	15	134			347.5	2.3	P0Y	105																
								188	108	30	200			421	4.2	145																	
350	7700	140	61	110	350	230	180	135	140	97.35	6	710	390	12.7	136	372.35	3.3	0.54	2LC0101-5AV	■ ■ -OZA0	130												
								135	101.5	15	139			376.5	3.8	P0Y	135																
								188	117	30	200			445	6.7	190																	
350	7700	140	90	140	350	230	230	135	140	97.35	6	710	390	12.7	136	372.35	3.3	0.61	2LC0101-5AV	■ ■ -OZA0	135												
								135	101.5	15	139			376.5	3.8	P0Y	140																
								188	117	30	200			445	6.7	190																	

ØD1: • Without finished bore – Without order codes
• With finished bore – With order codes for diameter and tolerance (article number without "-Z")

ØD2: • Without finished bore – Without order codes
• With finished bore – With order codes for diameter and tolerance (article number without "-Z")

Weights and mass moments of inertia apply to maximum bore diameters.

Maximum speed in rpm: $n_{max} = 1146/DB$ DB in m

Other brake disk diameters DB and brake disk widths BB on request.

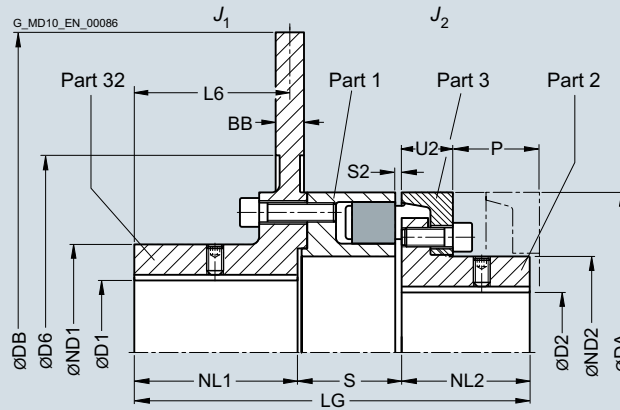
1) Gap dimension ΔS for coupling sizes 250, 280, 315 and 350 is +2/-3 mm.

FLENDER Standard Couplings

Flexible Couplings – N-EUPEX and N-EUPEX DS Series

Type DBD with brake disk
for easy elastomer replacement

Selection and ordering data



For dimensions U2 and P, see type A

Size	Rated torque flexible type 80 ShoreA T_{KN} Nm	Dimensions in mm														Mass moment of inertia		Article No. Plain text specification DB ; BB ; D6 ; NL1 required for order code P0Y Order codes for bore diameters and tolerances are specified in catalog section 3	Weight m min. kg						
		Bore with keyway to DIN 6885														J_1	J_2			m					
		D1 max.	D2 min.	DA max.	ND1	ND2	NL1	NL2	S ¹⁾	S2 ¹⁾	DB min.	D6 min.	BB	L6	LG	min. kgm ²	kgm ²	m kg							
140	360	55	-	50	140	85	82	81.5	55	49.5	3	315	175	12.7	74	186	0.10	0.008	2LC0100-6AU ■ ■ -OZA0 P0Y	15					
								81.5																16	
								211.5																	26
160	560	70	-	58	160	105	95	98.5	60	54.5	4	315	175	12.7	91	213	0.11	0.014	2LC0100-7AU ■ ■ -OZA0 P0Y	18					
								98.5																	19
								211.5																	30
180	880	80	-	65	180	125	108	98.5	70	56.5	4	355	200	12.7	91	225	0.33	0.025	2LC0100-8AU ■ ■ -OZA0 P0Y	24					
								98.5																	25.5
								211.5																	40
200	1340	90	-	75	200	135	122	104.5	80	62.5	4	400	220	12.7	97	247	0.30	0.04	2LC0101-0AU ■ ■ -OZA0 P0Y	32.5					
								104.5																	34
								211.5																	51
225	2000	105	-	85	225	160	138	111.5	90	66.5	4	450	250	12.7	103	268	0.48	0.08	2LC0101-1AU ■ ■ -OZA0 P0Y	43					
								111.5																	45
								211.5																	66
250	2800	110	-	95	250	170	155	116.5	100	78.5	6	500	280	12.7	107	295	1.5	0.13	2LC0101-2AU ■ ■ -OZA0 P0Y	56					
								116.5																	58
								211.5																	83
280	3900	130	54	105	280	200	172	131.5	110	82.5	6	560	310	12.7	122	324	1.2	0.20	2LC0101-3AU ■ ■ -OZA0 P0Y	73					
								131.5																	76
								211.5																	107
315	5500	130	46	100	315	200	165	141.5	125	84.5	6	630	350	12.7	130	351	1.9	0.32	2LC0101-4AU ■ ■ -OZA0 P0Y	93					
								141.5																	97
								211.5																	130
315	5500	130	90	120	315	200	200	141.5	125	84.5	6	630	350	12.7	130	351	1.9	0.35	2LC0101-4AU ■ ■ -OZA0 P0Y	96					
								141.5																	100
								211.5																	135
350	7700	140	61	110	350	220	180	146.5	140	93.5	6	710	390	12.7	135	380	3.8	0.54	2LC0101-5AU ■ ■ -OZA0 P0Y	145					
								146.5																	150
								211.5																	170
350	7700	140	90	140	350	220	230	146.5	140	93.5	6	710	390	12.7	135	380	3.8	0.61	2LC0101-5AU ■ ■ -OZA0 P0Y	150					
								146.5																	155
								211.5																	175

ØD1: • Without finished bore – Without order codes
• With finished bore – With order codes for diameter and tolerance (article number without "-Z")

ØD2: • Without finished bore – Without order codes
• With finished bore – With order codes for diameter and tolerance (article number without "-Z")

1
9

1
9

Weights and mass moments of inertia apply to maximum bore diameters.

Maximum speed in rpm: $n_{max} = 1146/DB$ DB in m

Other brake disk diameters DB and brake disk widths BB on request.

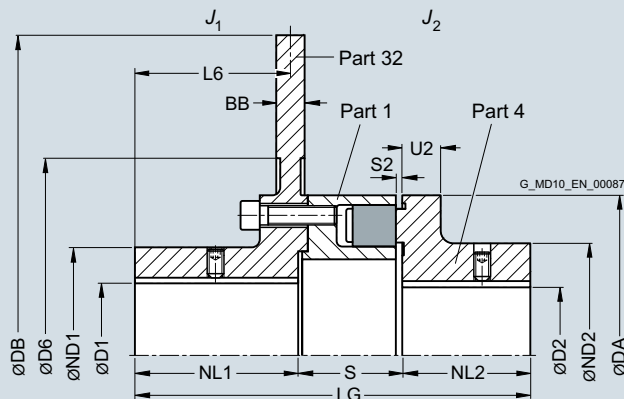
¹⁾ Gap dimension ΔS for coupling sizes 250, 280, 315 and 350 is +2/-3 mm.

FLENDER Standard Couplings

Flexible Couplings – N-EUPEX and N-EUPEX DS Series

Type EBD with brake disk

Selection and ordering data



For dimension U2, see type B

Size	Rated torque flexible type 80 ShoreA T_{KN} Nm	Dimensions in mm														Mass moment of inertia		Article No. Plain text specification DB ; BB ; D6 ; NL1 required for order code POY Order codes for bore diameters and tolerances are specified in catalog section 3	Weight m min. kg							
		Bore with keyway to DIN 6885 D1 D2 max. min. max.		DA	ND1	ND2	NL1	NL2	S	S2	DB	D6	BB	L6	LG	J_1 min. kgm ²	J_2 kgm ²									
140	360	55	-	60	140	85	100	81.5	55	49.5	3	315	175	12.7	74	186	0.10	0.007	2LC0100-6AW ■ ■ -OZA0 POY	15						
								81.5																16		
								211.5																	26	
160	560	70	-	65	160	105	108	98.5	60	54.5	4	315	175	12.7	91	213	0.11	0.01	2LC0100-7AW ■ ■ -OZA0 POY	18						
								98.5																	19	
								211.5																	30	
180	880	80	-	75	180	125	125	98.5	70	56.5	4	355	200	12.7	91	225	0.33	0.02	2LC0100-8AW ■ ■ -OZA0 POY	24						
								98.5																		25.5
								211.5																		40
200	1340	90	-	85	200	135	140	104.5	80	62.5	4	400	220	12.7	97	247	0.30	0.04	2LC0101-0AW ■ ■ -OZA0 POY	32.5						
								104.5																		34
								211.5																		51
225	2000	105	-	90	225	160	150	111.5	90	66.5	4	450	250	12.7	103	268	0.48	0.07	2LC0101-1AW ■ ■ -OZA0 POY	43						
								111.5																		45
								211.5																		66
250	2800	110	46	100	250	170	165	116.5	100	78.5	6	500	280	12.7	107	295	1.5	0.12	2LC0101-2AW ■ ■ -OZA0 POY	56						
								116.5																		58
								211.5																		83
280	3900	130	54	110	280	200	180	131.5	110	82.5	6	560	310	12.7	122	324	1.2	0.18	2LC0101-3AW ■ ■ -OZA0 POY	73						
								131.5																		76
								211.5																		107

ØD1: • Without finished bore – Without order codes

• With finished bore – With order codes for diameter and tolerance (article number without "-Z")

1

9

ØD2: • Without finished bore – Without order codes

• With finished bore – With order codes for diameter and tolerance (article number without "-Z")

1

9

Weights and mass moments of inertia apply to maximum bore diameters.

Ordering example:

N-EUPEX EBD coupling, size 200,
brake disk DIN 15432-AM-400 mm x 30 mm,
Bore D1 55H7 mm, with keyway to DIN 6885 P9 and set screw,
Bore D2 60H7 mm, with keyway to DIN 6885 and set screw.
Coupling micro-balanced G6.3 at 1500 rpm in accordance with
the half parallel key standard.

Article No.:

2LC0101-0AW99-OZA0-Z**L1D+M1E+POY+W02**

Plain text to POY:

DB = 400 mm; BB = 30 mm; D6 = 220 mm; NL1 = 211.5 mm

The article number applies to standard flexibles of 80 ShoreA; the article number for alternative flexible types is available on request.

Other brake disk diameters DB and brake disk widths BB on request.

Maximum speed in rpm:

$$n_{\max} = 1146/DB \quad DB \text{ in m}$$

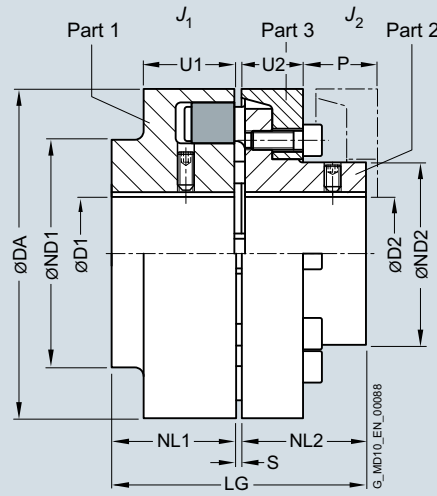
1) Gap dimension ΔS for coupling sizes 250 and 280 is $+2/-3$ mm.

FLENDER Standard Couplings

Flexible Couplings – N-EUPEX and N-EUPEX DS Series

Type ADS
for easy elastomer flexible replacement

Selection and ordering data



Size	Rated torque T_{KN} Nm	Speed n_{Kmax} rpm	Dimensions in mm Bore with keyway to DIN 6885											Mass moment of inertia J_1/J_2 kgm ²	Article No. Order codes for bore diameters and tolerances are specified in catalog section 3	Weight m kg		
			D1 min.	D2 max.	DA	ND1	ND2	NL1/ S NL2	U1	U2	P	LG						
118	160	5300	-	48	-	38	118	86	62	40	3	34	20	33	83	0.003	2LC0110-4AB ■ ■ -0AA0	3.5
135	240	5100	-	55	-	45	135	100	75	50	3	36	23	38	103	0.006	2LC0110-5AB ■ ■ -0AA0	5.5
152	360	4900	-	60	-	50	152	108	82	55	3	36	28	43	113	0.011	2LC0110-6AB ■ ■ -0AA0	7.7
172	560	4250	-	65	-	58	172	118	95	60	4	41	28	47	124	0.019	2LC0110-7AB ■ ■ -0AA0	10.5
194	880	3800	-	75	-	65	194	135	108	70	4	44	30	50	144	0.036	2LC0110-8AB ■ ■ -0AA0	15
218	1340	3400	-	85	-	75	218	150	122	80	4	47	32	53	164	0.062	2LC0111-0AB ■ ■ -0AA0	21
245	2000	3000	-	90	-	85	245	150	138	90	4	52	38	61	184	0.10	2LC0111-1AB ■ ■ -0AA0	28
272	2800	2750	46	100	-	95	272	165	155	100	5.5	60	42	69	205.5	0.18	2LC0111-2AB ■ ■ -0AA0	40
305	3900	2450	49	110	54	105	305	180	172	110	5.5	65	42	73	225.5	0.28	2LC0111-3AB ■ ■ -0AA0	50
340	5500	2150	49	120	46	100	340	200	165	125	5.5	70	47	78	255.5	0.45	2LC0111-4AB ■ ■ -0AA0	72
					90	120			200							0.50		73
380	7700	2000	61	140	61	110	380	230	180	140	5.5	74	51	83	285.5	0.75	2LC0111-5AB ■ ■ -0AA0	100
					90	140			230							0.80		104
430	10300	1700	66	150	66	120	430	250	200	160	5.5	78	56	88	325.5	1.2	2LC0111-6AB ■ ■ -0AA0	135
					100	150			250							1.4		140
472	13500	1550	80	160	80	130	472	265	215	180	7.5	86	64	99	367.5	2.0	2LC0111-7AB ■ ■ -0AA0	174
					120	160			265							2.1		180
514	16600	1400	90	180	90	145	514	300	240	190	7.5	90	65	104	387.5	2.9	2LC0111-8AB ■ ■ -0AA0	220
					136	180			300							3.2		237
556	21200	1300	100	190	100	150	556	315	250	210	7.5	102	68	115	427.5	4.3	2LC0112-0AB ■ ■ -0AA0	281
					140	190			315							4.7		290

øD1:	• Without finished bore – Without order codes	1
	• With finished bore – With order codes for diameter and tolerance (article number without "-Z")	9
øD2:	• Without finished bore – Without order codes	1
	• Without finished bore from size 340 for 2nd diameter range D2 – Without order codes	2
	• With finished bore – With order codes for diameter and tolerance (article number without "-Z")	9

The hub diameter of the component part is assigned according to the diameter of the finished bore. Where bore diameters overlap, the component with the smaller hub diameter is always selected.

Weights and mass moments of inertia apply to maximum bore diameters.

Ordering example:

N-EUPEX ADS coupling, size 135,
Part 1: Bore D1 42H7 mm, keyway to DIN 6885 and set screw,
Part 2: Bore D2 32H7 mm, keyway to DIN 6885 and set screw.

Article No.:
2LC0110-5AB99-0AA0
LOX+MOT

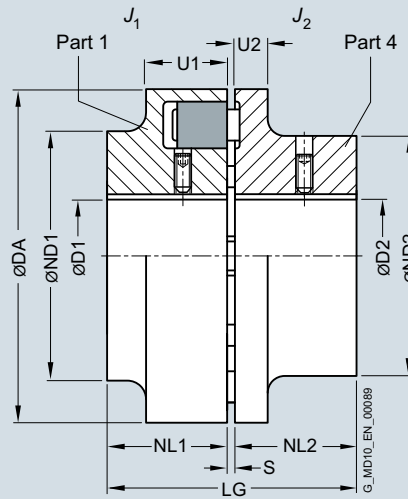
The article number applies to NBR standard flexibles; the article number for alternative flexible type is available on request.

FLENDER Standard Couplings

Flexible Couplings – N-EUPEX and N-EUPEX DS Series

Type BDS

Selection and ordering data



Size	Rated torque	Speed	Dimensions in mm										Mass moment of inertia	Article No. Order codes for bore diameters and tolerances are specified in catalog section 3	Weight		
	T_{KN}	n_{Kmax}	Bore with keyway to DIN 6885		DA	ND1	ND2	NL1/ NL2	S	U1	U2	LG			J_1/J_2	m	
	Nm	rpm	D1 min.	D2 max.									kgm ²		kg		
66	19	7500	–	19	–	24	66	66	40	20	3	20	8	43	0.0001	2LC0110-0AA ■ ■ ■ -0AA0	0.50
76	34	7000	–	24	–	28	76	76	50	20	3	20	8	43	0.0002	2LC0110-1AA ■ ■ ■ -0AA0	0.65
88	60	6000	–	30	–	38	88	88	68	30	3	30	10	63	0.0006	2LC0110-2AA ■ ■ ■ -0AA0	1.8
103	100	5500	–	42	–	42	103	76	76	35	3	30	12	73	0.0015	2LC0110-3AA ■ ■ ■ -0AA0	3
118	160	5300	–	48	–	48	118	86	86	40	3	34	14	83	0.003	2LC0110-4AA ■ ■ ■ -0AA0	3.7
135	240	5100	–	55	–	55	135	100	100	50	3	36	18	103	0.007	2LC0110-5AA ■ ■ ■ -0AA0	6.1
152	360	4900	–	60	–	60	152	108	100	55	3	36	20	113	0.011	2LC0110-6AA ■ ■ ■ -0AA0	7.0
172	560	4250	–	65	–	65	172	118	108	60	4	41	20	124	0.019	2LC0110-7AA ■ ■ ■ -0AA0	11
194	880	3800	–	75	–	75	194	135	125	70	4	44	20	144	0.035	2LC0110-8AA ■ ■ ■ -0AA0	17
218	1340	3400	–	85	–	85	218	150	140	80	4	47	24	164	0.06	2LC0111-0AA ■ ■ ■ -0AA0	23
245	2000	3000	–	90	–	90	245	150	150	90	4	52	18	184	0.085	2LC0111-1AA ■ ■ ■ -0AA0	27
272	2800	2750	46	100	46	100	272	165	165	100	5.5	60	18	205.5	0.15	2LC0111-2AA ■ ■ ■ -0AA0	36
305	3900	2450	49	110	49	110	305	180	180	110	5.5	65	20	225.5	0.25	2LC0111-3AA ■ ■ ■ -0AA0	47
øD1:	<ul style="list-style-type: none"> Without finished bore – Without order codes With finished bore – With order codes for diameter and tolerance (article number without "-Z") 															1 9	
øD2:	<ul style="list-style-type: none"> Without finished bore – Without order codes With finished bore – With order codes for diameter and tolerance (article number without "-Z") 															1 9	

Weights and mass moments of inertia apply to maximum bore diameters.

Ordering example:

N-EUPEX BDS coupling, size 103,

Part 1: Bore D1 42H7 mm, keyway to DIN 6885 and set screw,

Part 4: Bore D2 32H7 mm, keyway to DIN 6885 and set screw.

Article No.:

2LC0110-3AA99-0AA0

L0X+M0T

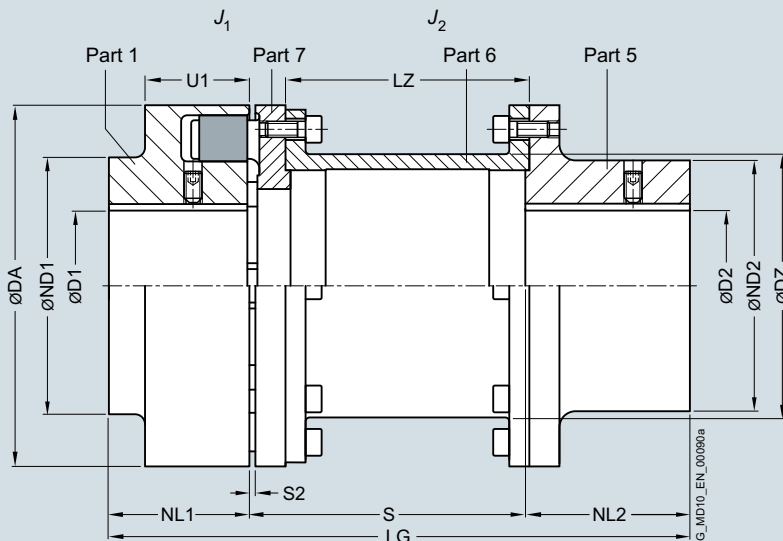
The article number applies to NBR standard flexibles; the article number for alternative flexible type is available on request.

FLENDER Standard Couplings

Flexible Couplings – N-EUPEX and N-EUPEX DS Series

Type HDS

Selection and ordering data



For dimension U1, see type A

Size	Rated torque T_{KN} Nm	Speed n_{Kmax} rpm	Dimensions in mm													Mass moment of inertia		Article No. Order codes for bore diameters and tolerances are specified in catalog section 3	Weight m kg			
			Bore with keyway to DIN 6885		DA		ND1	ND2	NL1	NL2	S2	S	LZ	DZ	LG	J_1	J_2					
			D1 min.	D1 max.	D2 min.	D2 max.																
88	60	6000	-	30	-	32	88	88	55	30	45	5	100	87	51	175	0.0007	0.0014	2LC0110-2AC	-0AA0	2.8	
													140	127		215	0.0015	2LC0110-2AC			-0AB0	2.9
103	100	5500	-	42	-	42	103	76	70	35	45	5	100	87	63	180	0.001	0.003	2LC0110-3AC	-0AA0	4.0	
													140	127		220	0.0033	2LC0110-3AC			-0AB0	4.3
118	160	5300	-	48	-	48	118	86	80	40	50	5	100	85	73	190	0.003	0.006	2LC0110-4AC	-0AA0	5.3	
													140	125		230	0.0064	2LC0110-4AC			-0AB0	5.7
													180	165		280	0.0068	2LC0110-4AC			-0AC0	6.1
135	240	5100	-	55	-	55	135	100	90	50	5	100	85	85	200	0.006	0.01	2LC0110-5AC	-0AA0	7.6		
												140	125		240	0.01	2LC0110-5AC			-0AB0	8.1	
												180	165		290	0.012	2LC0110-5AC			-0AC0	8.6	
												200	185		320	0.012	2LC0110-5AC			-0AD0	8.9	
												250	235		380	0.013	2LC0110-5AC			-0AE0	9.4	
152	360	4900	-	60	-	60	152	108	100	55	65	5	100	82	91	220	0.011	0.02	2LC0110-6AC	-0AA0	11.2	
													140	122		260	0.02	2LC0110-6AC			-0AB0	11.7
													180	162		300	0.022	2LC0110-6AC			-0AC0	12.2
													200	182		320	0.023	2LC0110-6AC			-0AD0	12.5
													250	232		385	0.024	2LC0110-6AC			-0AE0	13.1
172	560	4250	-	65	-	65	172	118	108	60	70	6	100	81.5	111	230	0.019	0.03	2LC0110-7AC	-0AA0	14.3	
													140	121.5		270	0.034	2LC0110-7AC			-0AB0	15.0
													180	161.5		310	0.036	2LC0110-7AC			-0AC0	15.9
													200	181.5		330	0.037	2LC0110-7AC			-0AD0	16.2
													250	231.5		390	0.039	2LC0110-7AC			-0AE0	17.2
194	880	3800	-	75	-	75	194	135	125	70	80	6	140	121.5	131	290	0.037	0.058	2LC0110-8AC	-0AB0	21	
													180	161.5		330	0.062	2LC0110-8AC			-0AC0	22
													200	181.5		350	0.064	2LC0110-8AC			-0AD0	23
													250	231.5		400	0.069	2LC0110-8AC			-0AE0	24
218	1340	3400	-	85	-	85	218	150	140	80	90	6	140	118.5	144	310	0.062	0.10	2LC0111-0AC	-0AB0	30	
													180	158.5		350	0.11	2LC0111-0AC			-0AC0	31
													200	178.5		370	0.11	2LC0111-0AC			-0AD0	32
													250	228.5		420	0.12	2LC0111-0AC			-0AE0	33

- ØD1:
 - Without finished bore – Without order codes
 - With finished bore – With order codes for diameter and tolerance (article number without "-Z")
- ØD2:
 - Without finished bore – Without order codes
 - With finished bore – With order codes for diameter and tolerance (article number without "-Z")

FLENDER Standard Couplings

Flexible Couplings – N-EUPEX and N-EUPEX DS Series

Type HDS

Size	Rated torque T_{KN} Nm	Speed n_{Kmax} rpm	Dimensions in mm Bore with keyway to DIN 6885														Mass moment of inertia		Article No. Order codes for bore diameters and tolerances are specified in catalog section 3	Weight m kg
			D1		D2		DA	ND1	ND2	NL1	NL2	S2	S	LZ	DZ	LG	J_1	J_2		
			min.	max.	min.	max.														
245	2000	3000	–	90	–	90	245	150	150	90	100	6	140	118.5	169	330	0.09	0.16	2LC0111-1AC ■ ■ ■ -0AB0	35
													180	158.5		370		0.17	2LC0111-1AC ■ ■ ■ -0AC0	36
													200	178.5		390		0.18	2LC0111-1AC ■ ■ ■ -0AD0	37
													250	228.5		430		0.19	2LC0111-1AC ■ ■ ■ -0AE0	39
272	2800	2750	46	100	46	100	272	165	165	100	110	8	180	152.5	185	390	0.16	0.3	2LC0111-2AC ■ ■ ■ -0AC0	51
													200	172.5		410		0.31	2LC0111-2AC ■ ■ ■ -0AD0	52
													250	222.5		460		0.33	2LC0111-2AC ■ ■ ■ -0AE0	55
305	3900	2450	49	110	51	110	305	180	180	110	120	8	250	222.5	215	480	0.28	0.52	2LC0111-3AC ■ ■ ■ -0AE0	74
340	5500	2150	49	120	51	120	340	200	200	125	140	8	250	222.5	250	515	0.50	0.87	2LC0111-4AC ■ ■ ■ -0AE0	105
380	7700	2000	61	140	51	140	380	230	230	140	150	8	250	220.5	272	540	0.80	1.4	2LC0111-5AC ■ ■ ■ -0AE0	130
430	10300	1700	66	150	51	150	430	250	250	160	180	8	250	185.5	310	590	1.4	2.5	2LC0111-6AC ■ ■ ■ -0AE0	205
472	13500	1550	80	160	51	160	472	265	265	180	180	10	250	182	354	610	2.1	4.1	2LC0111-7AC ■ ■ ■ -0AE0	235
ØD1:		<ul style="list-style-type: none"> Without finished bore – Without order codes With finished bore – With order codes for diameter and tolerance (article number without "-Z") 																	1	
ØD2:		<ul style="list-style-type: none"> Without finished bore – Without order codes With finished bore – With order codes for diameter and tolerance (article number without "-Z") 																	1	
																			9	

During assembly, the gap dimension S2 must not exceed the permissible tolerance of +1 mm.

For sizes 305 to 472 the outer diameter of part 5 and part 7 is smaller than ØDA.

Weights and mass moments of inertia apply to maximum bore diameters.

Ordering example:

N-EUPEX HDS coupling, size 103, S3 = 100

Part 1: Bore D1 42H7 mm, keyway to DIN 6885-1 and set screw,

Part 5: Bore D2 32H7 mm, keyway to DIN 6885-1 and set screw.

Coupling micro-balanced G6.3 at 1500 rpm in accordance with the half parallel key standard.

Article No.:

2LC0110-3AC99-0AA0-Z

LOX+MOT+W02

The article number applies to NBR standard flexibles; the article number for alternative flexible type is available on request.

FLENDER Standard Couplings

Flexible Couplings – N-EUPEX and N-EUPEX DS Series

Spare and wear parts

Selection and ordering data

Elastomer flexibles

The elastomer flexibles are wear parts. The service life depends on the operating conditions.

Elastomer flexibles of the N-EUPEX series

Size	Article No. flexible set for one coupling NBR elastomer flexibles 80 ShoreA standard type	Number of flexibles per set	Weight per set kg
58	2LC0100-0WA00-0AA0	4	0.012
68	2LC0100-1WA00-0AA0	5	0.015
80	2LC0100-2WA00-0AA0	6	0.02
95	2LC0100-3WA00-0AA0	6	0.03
110	2LC0100-4WA00-0AA0	6	0.045
125	2LC0100-5WA00-0AA0	6	0.06
140	2LC0100-6WA00-0AA0	6	0.09
160	2LC0100-7WA00-0AA0	7	0.12
180	2LC0100-8WA00-0AA0	8	0.17
200	2LC0101-0WA00-0AA0	8	0.23
225	2LC0101-1WA00-0AA0	8	0.3
250	2LC0101-2WA00-0AA0	8	0.38
280	2LC0101-3WA00-0AA0	8	0.55
315	2LC0101-4WA00-0AA0	9	0.7
350	2LC0101-5WA00-0AA0	9	0.85
400	2LC0101-6WA00-0AA0	10	1.2
440	2LC0101-7WA00-0AA0	10	1.5
480	2LC0101-8WA00-0AA0	10	2.1
520	2LC0102-0WA00-0AA0	10	2.6
560	2LC0102-1WA00-0AA0	10	3.6
610	2LC0102-2WA00-0AA0	10	4.9
660	2LC0102-3WA00-0AA0	10	6.3
710	2LC0102-4WA00-0AA0	10	7.6

Elastomer flexibles of the N-EUPEX DS series

Size	Article No. flexible set for one coupling NBR elastomer flexibles standard type	Number of flexibles per set	Weight per set kg
66	2LC0110-0WA00-0AA0	4	0.012
76	2LC0110-1WA00-0AA0	5	0.015
88	2LC0110-2WA00-0AA0	6	0.021
103	2LC0110-3WA00-0AA0	6	0.033
118	2LC0110-4WA00-0AA0	6	0.048
135	2LC0110-5WA00-0AA0	6	0.072
152	2LC0110-6WA00-0AA0	6	0.1
172	2LC0110-7WA00-0AA0	7	0.16
194	2LC0110-8WA00-0AA0	8	0.21
218	2LC0111-0WA00-0AA0	8	0.28
245	2LC0111-1WA00-0AA0	8	0.45
272	2LC0111-2WA00-0AA0	8	0.64
305	2LC0111-3WA00-0AA0	8	0.72
340	2LC0111-4WA00-0AA0	9	0.92
380	2LC0111-5WA00-0AA0	9	1.2
430	2LC0111-6WA00-0AA0	10	1.6
472	2LC0111-7WA00-0AA0	10	2.0
514	2LC0111-8WA00-0AA0	10	2.5
556	2LC0112-0WA00-0AA0	10	3.2

Flexibles of sizes 66 to 272 are of the compound type with a hard core and soft thrust pieces. Sizes 305 to 556 are completely made of 90 ShoreA NBR material.

Flexible Couplings RUPEX Series



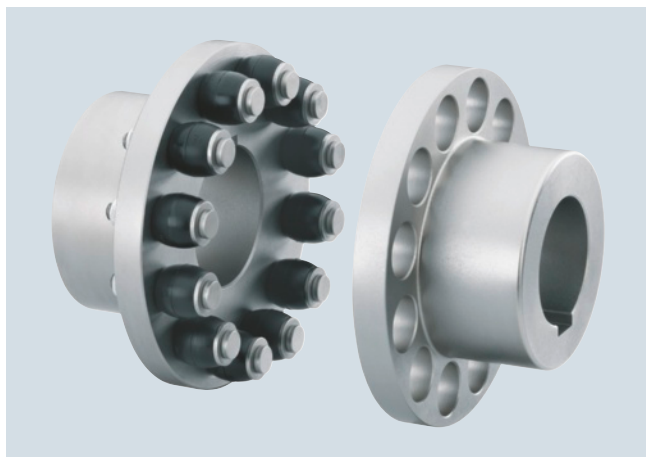
8/2	Overview
8/2	Benefits
8/2	Application
8/2	Design
8/4	Function
8/4	Technical data
8/6	Type RWN hub material grey cast iron 8/6 Selection and ordering data
8/8	Type RWS hub material steel 8/8 Selection and ordering data
8/10	Type RFN with hub in grey cast iron 8/10 Selection and ordering data
8/11	Type RFS in steel 8/11 Selection and ordering data
8/12	Type RWB with brake disk to DIN 15432 8/12 Selection and ordering data
8/14	Type RBS with brake disk to DIN 15432 Sizes 144 to 360 8/14 Selection and ordering data
8/16	Type RBS with brake disk to DIN 15432 Sizes 400 to 1000 8/16 Selection and ordering data
8/18	Type RWB with brake drum to DIN 15431 8/18 Selection and ordering data
8/19	Type RBS with brake drum to DIN 15431 8/19 Selection and ordering data
8/20	Spare and wear parts 8/20 Selection and ordering data

FLENDER Standard Couplings

Flexible Couplings – RUPEX Series

General information

Overview



Coupling suitable for use in potentially explosive atmospheres.

Complies with the current ATEX Directive for:

CE **Ex** II 2 G T4 / T5 / T6 D120 °C
-30 °C ≤ T_a ≤ +80 °C / +50 °C / +40 °C

CE **Ex** I M2

RUPEX pin and bush couplings link machine shafts and compensate for shaft misalignment with weak restorative forces. The torque is conducted through elastomer buffers, so the coupling has typically flexible rubber properties. Thanks to their robust design, RUPEX couplings are also suitable for rough operating conditions.

Benefits

RUPEX couplings can also hold loads when overloaded and are therefore especially suitable for drives for special safety and reliability requirements.

Torque shock loads and changing loads are no problem for robust, compact flexible RUPEX couplings.

The steel variant is also especially suitable for high-speed drives.

RUPEX couplings are fitted by putting together the coupling halves. Fitting with low torsional backlash is simplified by the barrel-shaped geometry of the buffers.

RUPEX couplings require little maintenance. Only the elastomer buffers, as wear parts, need be replaced and the coupled machines need not be moved to do so.

RUPEX couplings are suitable for reversing operation and horizontal and vertical fitting or fitting at any required angle.

Application

RUPEX couplings are available as a catalog standard in 26 sizes with a rated torque of between 200 Nm and 1300000 Nm.

The coupling is suitable for use at ambient temperatures of between -30 °C and +80 °C. By using alternative elastomer buffers, the permissible ambient temperature range can be extended to between -50 °C and +100 °C.

Frequently, the coupling is used to connect the gear shaft to the driven machine. In the case of drives without gear units, the cou-

pling is particularly suitable for operation in rough conditions or heavy-duty drives with electric motor drive. Ventilator drives with high ventilator mass and drives in the cement industry are typical applications.

Examples of particularly safety-relevant areas of application are cable railway drives, lifting gear for crane drives or escalator drives.

Design

A RUPEX coupling comprises two hub sections which are mounted on the machine shafts. The hub parts are connected positively by steel pins and elastomer buffers. The coupling can be fitted with add-on parts such as brake disks or brake drums. Up to size 360, the pins and buffers are fitted on one side. From size 400 up, the pins and buffers are fitted in the hubs on alternate sides.

Materials

Hubs

- Types RWN and RWB made of grey cast iron EN-GJL-250
- Types RWS and RBS made of steel

Flange

- Types RFN, RFS made of steel

Pin

Material steel 42CrMo4, surface fine-machined

Buffer material

Material/description	Hardness	Identification	Ambient temperature
NBR standard type	80 ShoreA	Buffer black	-30 °C ... +80 °C
NBR electrically insulating	80 ShoreA	Buffer green	-30 °C ... +80 °C
NBR soft	65 ShoreA	Buffer black with green dot	-30 °C ... +80 °C
NBR hard	90 ShoreA	Buffer black with magenta dot	-30 °C ... +80 °C
NR for low temperature	80 ShoreA	Buffer black with white dot	-50 °C ... +50 °C
HNBR high temperature	80 ShoreA	Buffer black with red dot	-10 °C ... +100 °C

Brake disks

- Type RWB made of EN-GJS-400 spheroidal graphite cast iron
- Type RBS made of steel

Brake drums

- Type RWB made of EN-GJL-250 grey cast iron
- Type RBS made of steel

FLENDER Standard Couplings

Flexible Couplings – RUPEX Series

General information

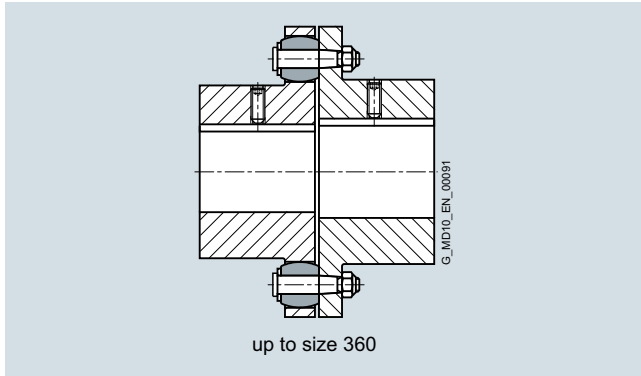
RUPEX pin and bush coupling types

Type	Description
RWN	Coupling made of grey cast iron
RWS	Coupling made of steel
RWB	Coupling made of grey cast iron with brake drum or brake disk
RBS	Coupling made of steel with brake drum or brake disk
RFN	Coupling made of grey cast iron in flange-shaft variant
RFS	Coupling made of steel in flange-shaft variant

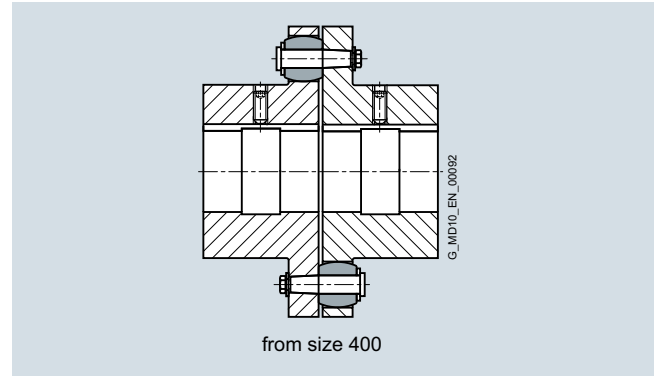
Further application-related coupling types are available. Dimension sheets for and information on these are available on request.

RUPEX pin and bush coupling types on request

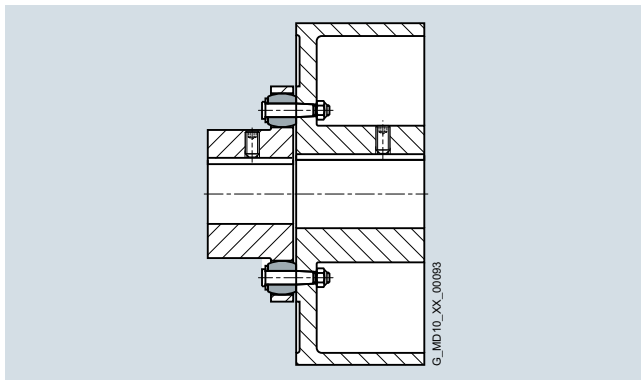
Type	Description
All	Coupling with axial backlash limitation
All	Coupling with pretensioned buffers
All	Coupling with lengthened pins and spacer sleeves
RKS	Coupling for engaging/disengaging during standstill
RWNH, RWSH	Coupling with extension piece
RBM	Coupling with lengthened pins for sliding rotor motors
RAK	Coupling combination RUPEX with ARPEX all-steel membrane coupling



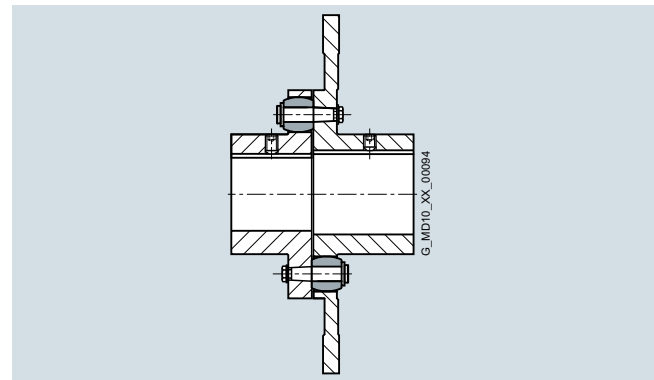
Types RWN/RWS – One-sided arrangement of pins and buffers



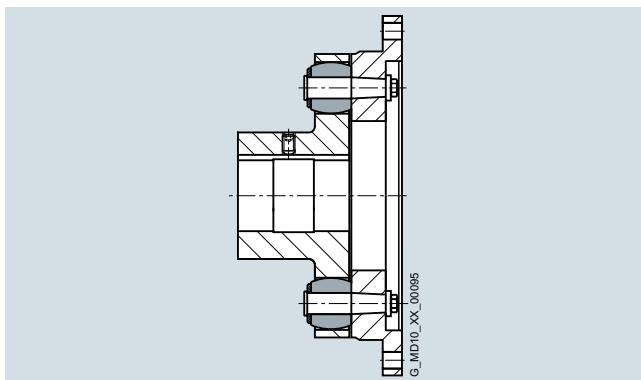
Types RWN/RWS – Alternate-sided arrangement of pins and buffers



Types RWB/RBS with brake drum



Types RWB/RBS with brake disk



Types RFN, RFS

FLENDER Standard Couplings

Flexible Couplings – RUPEX Series

General information

Function

The motor torque is transmitted to the hub on the drive side via the shaft-hub connection, which is mostly designed as a keyway connection. With the aid of elastomer buffers mounted on steel pins, the torque is conducted to the hub on the output side.

The hub on the output side further transmits the torque to the driven machine or a gear unit located in between. Because of the primarily compression-loaded buffers, the coupling has a progressive torsional stiffness.

Technical data

Power ratings

Size	Rated torque for buffer type			Torsional stiffness at 50 % capacity utilization for buffer type			Assembly Gap dimension ΔS mm	Permitted shaft misalignment at speed $n = 1500$ rpm ¹⁾	
	65 ShoreA	80 ShoreA	90 ShoreA	65 ShoreA	80 ShoreA	90 ShoreA		Radial ΔK_r mm	Angle ΔK_w Degree
	T_{KN} Nm	T_{KN} Nm	T_{KN} Nm	$C_{Tdyn 50 \%}$ kNm/rad	$C_{Tdyn 50 \%}$ kNm/rad	$C_{Tdyn 50 \%}$ kNm/rad			
105	120	200	200	5	13	21	1.0	0.21	0.12
125	210	350	350	9	25	37	1.0	0.23	0.11
144	300	500	500	15	43	64	1.0	0.25	0.10
162	450	750	750	20	55	83	1.5	0.27	0.10
178	570	950	950	31	85	130	1.5	0.29	0.09
198	780	1300	1300	43	123	187	1.5	0.30	0.09
228	1300	2200	2200	65	184	270	1.5	0.34	0.09
252	1650	2750	2750	92	256	380	1.5	0.36	0.08
285	2600	4300	4300	141	390	560	1.5	0.40	0.08
320	3300	5500	5500	195	540	790	1.5	0.43	0.08
360	4700	7800	7800	276	610	940	1.5	0.48	0.08
400	7500	12500	12500	410	1130	1710	1.5	0.52	0.07
450	11000	18500	18500	570	1600	2380	1.5	0.57	0.07
500	15000	25000	25000	860	2350	3600	1.5	0.62	0.07
560	23500	39000	39000	1130	3070	4700	2.0	0.68	0.07
630	31000	52000	52000	1640	4600	7400	2.0	0.75	0.07
710	50000	84000	84000	2560	7200	10900	2.0	0.84	0.07
800	66000	110000	110000	3900	10700	16700	2.0	0.93	0.07
900	90000	150000	150000	5200	14300	22500	2.5	1.03	0.07
1000	115000	195000	195000	7700	21300	33000	2.5	1.14	0.07
1120	160000	270000	270000	9800	27300	44000	2.5	1.26	0.06
1250	205000	345000	345000	14000	39000	62000	2.5	1.39	0.06
1400	320000	530000	530000	22800	62000	97000	3.0	1.55	0.06
1600	450000	750000	750000	37000	103000	160000	3.0	1.76	0.06
1800	585000	975000	975000	48000	133000	208000	4.0	1.96	0.06
2000	780000	1300000	1300000	73000	201000	314000	4.0	2.17	0.06

All article numbers listed below apply to standard buffers of NBR material in the 80 ShoreA variant.

¹⁾ The maximum speed of the respective type must be noted. For further information on permissible shaft misalignment, please see the operating instructions.

FLENDER Standard Couplings

Flexible Couplings – RUPEX Series

General information

For maximum coupling torque:

$$T_{Kmax} = 3.0 \cdot T_{KN}$$

For overload torque:

$$T_{KOL} = 4 \cdot T_{KN}$$

For coupling fatigue torque:

$$T_{KW} = 0.20 \cdot T_{KN}$$

For fitting, a maximum gap dimension of S max. = S + ΔS and a minimum gap dimension of S min. = S – ΔS are permitted.

Torsional stiffness and damping

The values stated in the above table apply to a capacity utilization of 50 %, an excitation amplitude of 10 % T_{KN} with the frequency 10 Hz and an ambient temperature of 20 °C. Dynamic torsional stiffness is dependent on load and increases in proportion to capacity utilization. The following table shows the correction factors for different nominal loads.

$$C_{Tdyn} = C_{Tdyn 50\%} \cdot FKC$$

Correction factor FKC	Capacity utilization T_N / T_{KN}								
	20 %	40 %	50 %	60 %	70 %	80 %	90 %	100 %	
65/80/90 ShoreA	0.51	0.83	1.00	1.18	1.38	1.58	1.80	2.03	

The damping coefficient is $\Psi = 1.4$

Furthermore, torsional stiffness and damping depend on the ambient temperature and the frequency and amplitude of the torsional vibration excitation. More precise torsional stiffness and damping parameters on request.

With elastic couplings the manufacturing process of the rubber elements and their aging primarily influence the rigidity value C_{Tdyn} . For this reason calculation must be made with a tolerance for the dynamic rigidity of $\pm 20\%$. The specified damping coefficient Ψ is a minimum value with the result that the damping performance of the coupling corresponds at least to the specified value.

Permitted shaft misalignment

The permitted shaft misalignment depends on the operating speed. As the speed increases, lower shaft misalignment values are permitted. The following table shows the correction factors for different speeds.

The maximum speed for the respective coupling size and type must be observed!

$$\Delta K_{perm} = \Delta K_{1500} \cdot FKV$$

	Speed in rpm			
	500	1000	1500	3000
Correction factor FKV	1.7	1.2	1.0	0.7

For fitting, a maximum gap dimension of S max. = S + ΔS and a minimum gap dimension of S min. = S – ΔS are permitted.

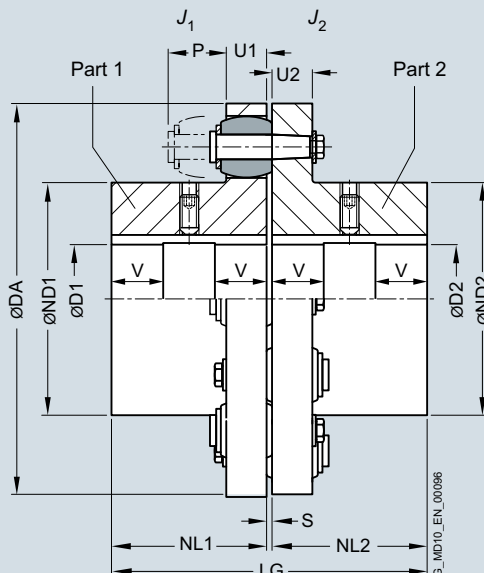
Shaft misalignments ΔK_r and ΔK_w may occur simultaneously.

FLENDER Standard Couplings

Flexible Couplings – RUPEX Series

Type RWN - hub material grey cast iron

Selection and ordering data



Size	Rated torque buffer 80 ShoreA	Speed	Dimensions in mm											Mass moment of inertia		Article No. Order codes for bore diameters and tolerances are specified in catalog section 3	Weight			
			Bore with keyway to DIN 6885		DA	ND1	ND2	NL1/ S		U1	U2	P	LG	J ₁	J ₂			m		
T _{KN}	n _{Kmax}	D1 min.	D2 max.	D1 max.				D2 max.	NL1							S	kgm ²		kgm ²	kg
105 ¹⁾	200	7000	-	32	-	38	105	53	59	45	3	13	12	30	93	0.001	0.001	2LC0130-1AA	■ ■ -0AA0	1.9
125 ¹⁾	350	6000	-	40	-	48	125	65	68	50	3	16	15	35	103	0.003	0.003	2LC0130-2AA	■ ■ -0AA0	3.2
144	500	5250	-	45	-	55	144	76	84	55	3	16	15	35	113	0.004	0.006	2LC0130-3AA	■ ■ -0AA0	4.5
162	750	4650	-	50	-	60	162	85	92	60	3.5	20	18	40	123.5	0.007	0.013	2LC0130-4AA	■ ■ -0AA0	6.7
178	950	4200	-	60	-	70	178	102	108	70	3.5	20	18	40	143.5	0.014	0.022	2LC0130-5AA	■ ■ -0AA0	9.7
198	1300	3750	-	70	-	80	198	120	128	80	3.5	20	18	40	163.5	0.022	0.030	2LC0130-6AA	■ ■ -0AA0	12.9
228	2200	3300	-	80	-	90	228	129	140	90	3.5	26	24	50	183.5	0.038	0.071	2LC0130-7AA	■ ■ -0AA0	19
252	2750	3000	-	90	-	100	252	150	160	100	3.5	26	24	50	203.5	0.07	0.12	2LC0130-8AA	■ ■ -0AA0	26.3
285	4300	2650	48	100	48	110	285	164	175	110	4.5	32	30	60	224.5	0.13	0.22	2LC0131-0AA	■ ■ -0AA0	39
320	5500	2350	55	110	55	120	320	180	192	125	4.5	32	30	60	254.5	0.23	0.30	2LC0131-1AA	■ ■ -0AA0	53
360	7800	2100	65	120	65	130	360	200	210	140	4.5	42	42	75	284.5	0.41	0.70	2LC0131-2AA	■ ■ -0AA0	78
400	12500	2050	75	140	75	140	400	230	230	160	4.5	42	42	75	324.5	0.87	0.87	2LC0131-3AA	■ ■ -0AA0	105
450	18500	1800	85	160	85	160	450	260	260	180	5.5	52	52	90	365.5	1.7	1.7	2LC0131-4AA	■ ■ -0AA0	156
500	25000	1600	95	180	95	180	500	290	290	200	5.5	52	52	90	405.5	2.8	2.8	2LC0131-5AA	■ ■ -0AA0	200
560	39000	1450	100	140	100	140	560	250	250	220	6	68	68	120	446	4.6	4.6	2LC0131-6AA	■ ■ -0AA0	280
			140	180	140	180	300	300	5	5	2LC0131-6AA	■ ■ -0AA0	290							
			180	200	180	200	320	320	5.1	5.1	2LC0131-6AA	■ ■ -0AA0	295							
630	52000	1280	100	140	100	140	630	250	250	240	6	68	68	120	486	7.2	7.2	2LC0131-7AA	■ ■ -0AA0	345
			140	180	140	180	300	300	7.7	7.7	2LC0131-7AA	■ ■ -0AA0	370							
			180	220	180	220	355	355	8.4	8.4	2LC0131-7AA	■ ■ -0AA0	400							
710	84000	1150	110	160	110	160	710	290	290	260	7	80	80	140	527	13	13	2LC0131-8AA	■ ■ -0AA0	510
			160	200	160	200	330	330	14	14	2LC0131-8AA	■ ■ -0AA0	515							
			200	240	200	240	385	385	15	15	2LC0131-8AA	■ ■ -0AA0	540							

- | | | |
|------|---|---|
| ØD1: | • Without finished bore up to size 500, from size 560 for 1st diameter range D1 – Without order codes | 1 |
| | • Without finished bore from size 560 for 2nd diameter range D1 – Without order codes | 2 |
| | • Without finished bore from size 560 for 3rd diameter range D1 – Without order codes | 3 |
| | • With finished bore – With order codes for diameter and tolerance (article number without "-Z") | 9 |
| ØD2: | • Without finished bore up to size 500, from size 560 for 1st diameter range D1 – Without order codes | 1 |
| | • Without finished bore from size 560 for 2nd diameter range D2 – Without order codes | 2 |
| | • Without finished bore from size 560 for 3rd diameter range D2 – Without order codes | 3 |
| | • With finished bore – With order codes for diameter and tolerance (article number without "-Z") | 9 |

¹⁾ Hub material EN-GJS 400 spheroidal graphite cast iron.

FLENDER Standard Couplings

Flexible Couplings – RUPEX Series

Type RWN - hub material grey cast iron

Size	Rated torque buffer 80 ShoreA T_{KN} Nm	Speed n_{Kmax} rpm	Dimensions in mm												Mass moment of inertia		Article No. Order codes for bore diameters and tolerances are specified in catalog section 3	Weight m kg	
			Bore with keyway to DIN 6885				DA	ND1	ND2	NL1/ S NL2	U1	U2	P	LG	J_1	J_2			
			D1 min.	D1 max.	D2 min.	D2 max.													
800	110000	1000	125	180	125	180	800	320	320	290	7	80	80	140	587	22	22	2LC0132-0AA ■ ■ ■ -0AA0	670
			180	220	180	220		360	360	23	23					2LC0132-0AA ■ ■ ■ -0AA0			
			220	260	220	260		420	420	24.5	24.5						2LC0132-0AA ■ ■ ■ -0AA0		
900	150000	900	140	220	140	220	900	360	360	320	7.5	90	90	160	647.5	39		39	2LC0132-1AA ■ ■ ■ -0AA0
			220	260	220	260		425	425	41	41					2LC0132-1AA ■ ■ ■ -0AA0			
			260	290	260	290		465	465	43	43						2LC0132-1AA ■ ■ ■ -0AA0		
1000	195000	810	150	240	150	240	1000	395	395	350	7.5	90	90	160	707.5	60		60	2LC0132-2AA ■ ■ ■ -0AA0
			240	280	240	280		460	460	63	63					2LC0132-2AA ■ ■ ■ -0AA0			
			280	320	280	320		515	515	68	68						2LC0132-2AA ■ ■ ■ -0AA0		
1120	270000	700	160	200	160	200	1120	360	360	380	8.5	100	100	180	768.5	98		98	2LC0132-3AA ■ ■ ■ -0AA0
			200	250	200	250		410	410	100	100					2LC0132-3AA ■ ■ ■ -0AA0			
			250	300	250	300		495	495	105	105						2LC0132-3AA ■ ■ ■ -0AA0		
			300	350	300	350		560	560	110	110					2LC0132-3AA ■ ■ ■ -0AA0			
1250	345000	650	180	230	180	230	1250	410	410	420	8.5	100	100	180	848.5		150	150	2LC0132-4AA ■ ■ ■ -0AA0
			230	280	230	280		460	460	155	155					2LC0132-4AA ■ ■ ■ -0AA0			
			280	330	280	330		540	540	165	165						2LC0132-4AA ■ ■ ■ -0AA0		
			330	380	330	380		610	610	175	175					2LC0132-4AA ■ ■ ■ -0AA0			
1400	530000	570	200	260	200	260	1400	465	465	480	9	120	120	210	969		290	290	2LC0132-5AA ■ ■ ■ -0AA0
			260	320	260	320		525	525	300	300					2LC0132-5AA ■ ■ ■ -0AA0			
			320	380	320	380		620	620	310	310						2LC0132-5AA ■ ■ ■ -0AA0		
			380	440	380	440		700	700	330	330					2LC0132-5AA ■ ■ ■ -0AA0			
1600	750000	500	260	320	260	320	1600	565	565	540	9	120	120	210	1089		490	490	2LC0132-6AA ■ ■ ■ -0AA0
			320	380	320	380		625	625	500	500					2LC0132-6AA ■ ■ ■ -0AA0			
			380	440	380	440		720	720	530	530						2LC0132-6AA ■ ■ ■ -0AA0		
			440	480	440	480		770	770	550	550					2LC0132-6AA ■ ■ ■ -0AA0			
1800	975000	450	320	380	320	380	1800	660	660	600	12	140	140	240	1212		850	850	2LC0132-7AA ■ ■ ■ -0AA0
			380	440	380	440		720	720	930	930					2LC0132-7AA ■ ■ ■ -0AA0			
			440	500	440	500		820	820	980	980						2LC0132-7AA ■ ■ ■ -0AA0		
			500	540	500	540		870	870	1050	1050					2LC0132-7AA ■ ■ ■ -0AA0			
2000	1300000	400	380	440	380	440	2000	760	760	660	12	140	140	240	1332		1350	1350	2LC0132-8AA ■ ■ ■ -0AA0
			440	500	440	500		820	820	1400	1400					2LC0132-8AA ■ ■ ■ -0AA0			
			500	560	500	560		920	920	1500	1500						2LC0132-8AA ■ ■ ■ -0AA0		
			560	600	560	600		960	960	1550	1550					2LC0132-8AA ■ ■ ■ -0AA0			

- | | | |
|------|---|---|
| ∅D1: | • Without finished bore up to size 500, from size 560 for 1st diameter range D1 – Without order codes | 1 |
| | • Without finished bore from size 560 for 2nd diameter range D1 – Without order codes | 2 |
| | • Without finished bore from size 560 for 3rd diameter range D1 – Without order codes | 3 |
| | • Without finished bore from size 1120 for 4th diameter range D1 – Without order codes | 4 |
| | • With finished bore – With order codes for diameter and tolerance (article number without "-Z") | 9 |
| ∅D2: | • Without finished bore up to size 500, from size 560 for 1st diameter range D1 – Without order codes | 1 |
| | • Without finished bore from size 560 for 2nd diameter range D2 – Without order codes | 2 |
| | • Without finished bore from size 560 for 3rd diameter range D2 – Without order codes | 3 |
| | • Without finished bore from size 1120 for 4th diameter range D2 – Without order codes | 4 |
| | • With finished bore – With order codes for diameter and tolerance (article number without "-Z") | 9 |

From size 560 bores D1 and D2 are each provided with a recess of $D = +1$ mm halfway along the hub. $V \approx 1/3$ NL

The hub diameter of the component part is assigned according to the diameter of the finished bore. Where bore diameters overlap, the component with the smaller hub diameter is always selected.

Weight and mass moments of inertia apply to maximum bore diameters.

Ordering example:
 RUPEX RWN coupling, size 710,
 Part 1: hub left with bore 180H7 mm, with keyway to DIN 6885 and set screw,
 Part 2: hub right with bore 200H7 mm, with keyway to DIN 6885 and set screw.

Article No.:
2LC0131-8AA99-0AA0
L2B+M2D

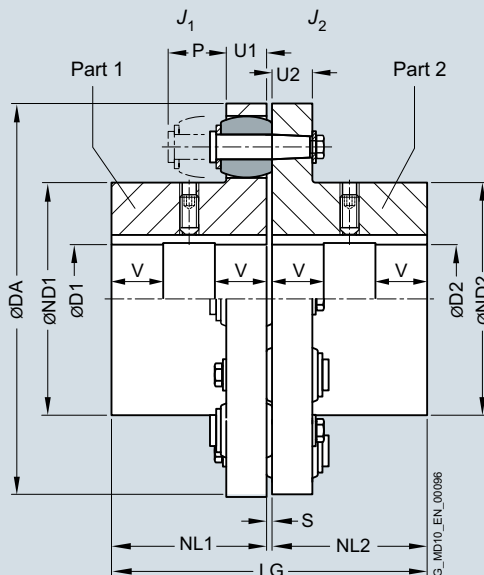
The article number applies to standard buffers of 80 ShoreA; the article number for alternative buffer types is available on request.

FLENDER Standard Couplings

Flexible Couplings – RUPEX Series

Type RWS - hub material steel

Selection and ordering data



Size	Rated torque buffer 80 ShoreA T_{KN} Nm	Speed n_{Kmax} rpm	Dimensions in mm													Mass moment of inertia		Article No. Order codes for bore diameters and tolerances are specified in catalog section 3	Weight m kg	
			Bore with keyway to DIN 6885				DA	ND1	ND2	NL1/ NL2	S	U1	U2	P	LG	J_1	J_2			
			D1 min.	D1 max.	D2 min.	D2 max.														
105	200	10000	-	32	-	38	105	53	59	45	3	13	12	30	93	0.001	0.001	2LC0130-1AB	-0AA0	1.9
125	350	9000	-	42	-	48	125	65	68	50	3	16	15	35	103	0.003	0.003	2LC0130-2AB	-0AA0	3.2
144	500	7800	-	50	-	60	144	76	84	55	3	16	15	35	113	0.004	0.006	2LC0130-3AB	-0AA0	4.5
162	750	6900	-	55	-	65	162	85	92	60	3.5	20	18	40	123.5	0.007	0.013	2LC0130-4AB	-0AA0	6.7
178	950	6300	-	70	-	75	178	102	108	70	3.5	20	18	40	143.5	0.014	0.022	2LC0130-5AB	-0AA0	9.7
198	1300	5600	-	80	-	85	198	120	128	80	3.5	20	18	40	163.5	0.022	0.030	2LC0130-6AB	-0AA0	12.9
228	2200	4900	-	85	-	95	228	129	140	90	3.5	26	24	50	183.5	0.038	0.071	2LC0130-7AB	-0AA0	19
252	2750	4400	-	100	-	110	252	150	160	100	3.5	26	24	50	203.5	0.07	0.12	2LC0130-8AB	-0AA0	26.3
285	4300	3900	48	110	48	120	285	164	175	110	4.5	32	30	60	224.5	0.13	0.21	2LC0131-0AB	-0AA0	39
320	5500	3500	55	125	55	130	320	180	192	125	4.5	32	30	60	254.5	0.23	0.32	2LC0131-1AB	-0AA0	53
360	7800	3100	65	135	65	140	360	200	210	140	4.5	42	42	75	284.5	0.41	0.69	2LC0131-2AB	-0AA0	78
400	12500	2800	75	150	75	150	400	230	230	160	4.5	42	42	75	324.5	0.92	0.92	2LC0131-3AB	-0AA0	110
450	18500	2500	85	170	85	170	450	260	260	180	5.5	52	52	90	365.5	1.7	1.7	2LC0131-4AB	-0AA0	163
500	25000	2200	95	190	95	190	500	290	290	200	5.5	52	52	90	405.5	2.8	2.8	2LC0131-5AB	-0AA0	217
560	39000	2000	100	165	100	165	560	250	250	220	6	68	68	120	446	4.8	4.8	2LC0131-6AB	-0AA0	274
			165	200	165	200	300	300	5.2	5.2	2LC0131-6AB	-0AA0	292							
			200	210	200	210	320	320	5.4	5.4	2LC0131-6AB	-0AA0	305							
630	52000	1800	100	165	100	165	630	250	250	240	6	68	68	120	486	7.6	7.6	2LC0131-7AB	-0AA0	352
			165	200	165	200	300	300	7.9	7.9	2LC0131-7AB	-0AA0	370							
			200	235	200	235	355	355	8.7	8.7	2LC0131-7AB	-0AA0	400							
710	84000	1600	110	190	110	190	710	290	290	260	7	80	80	140	527	14.4	14.4	2LC0131-8AB	-0AA0	507
			190	220	190	220	330	330	14.6	14.6	2LC0131-8AB	-0AA0	530							
			220	250	220	250	385	385	15.9	15.9	2LC0131-8AB	-0AA0	560							

- ØD1:
- Without finished bore up to size 500, from size 560 for 1st diameter range D1 – Without order codes **1**
 - Without finished bore from size 560 for 2nd diameter range D1 – Without order codes **2**
 - Without finished bore from size 560 for 3rd diameter range D1 – Without order codes **3**
 - With finished bore – With order codes for diameter and tolerance (article number without "-Z") **9**
- ØD2:
- Without finished bore up to size 500, from size 560 for 1st diameter range D1 – Without order codes **1**
 - Without finished bore from size 560 for 2nd diameter range D2 – Without order codes **2**
 - Without finished bore from size 560 for 3rd diameter range D2 – Without order codes **3**
 - With finished bore – With order codes for diameter and tolerance (article number without "-Z") **9**

FLENDER Standard Couplings

Flexible Couplings – RUPEX Series

Type RWS - hub material steel

Size	Rated torque buffer 80 ShoreA T_{KN} Nm	Speed n_{Kmax} rpm	Dimensions in mm											Mass moment of inertia		Article No. Order codes for bore diameters and tolerances are specified in catalog section 3	Weight m kg	
			Bore with keyway to DIN 6885				DA	ND1	ND2	NL1 NL2	S	U1 U2	P	LG	J_1			J_2
			D1 min.	D2 max.	D1 min.	D2 max.												
800	110000	1400	125	210	125	210	800	320	320	290	7	80	140	587	23.1	23.1	2LC0132-0AB ■ ■ ■ -0AA0	683
			210	240	210	240		360	360	23.3					23.3	2LC0132-0AB ■ ■ ■ -0AA0		715
			240	280	240	280		420	420	25.7					25.7	2LC0132-0AB ■ ■ ■ -0AA0		762
900	150000	1250	140	210	140	210	900	320	320	320	7.5	90	160	647.5	40	40	2LC0132-1AB ■ ■ ■ -0AA0	907
			210	240	210	240		360	360	41					41	2LC0132-1AB ■ ■ ■ -0AA0		933
			240	280	240	280		425	425	44					44	2LC0132-1AB ■ ■ ■ -0AA0		1000
			280	310	280	310		465	465	45					45	2LC0132-1AB ■ ■ ■ -0AA0		1025
1000	195000	1100	150	230	150	230	1000	355	355	350	7.5	90	160	707.5	63	63	2LC0132-2AB ■ ■ ■ -0AA0	1170
			230	260	230	260		395	395	64					64	2LC0132-2AB ■ ■ ■ -0AA0		1208
			260	300	260	300		460	460	68					68	2LC0132-2AB ■ ■ ■ -0AA0		1290
			300	340	300	340		515	515	70					70	2LC0132-2AB ■ ■ ■ -0AA0		1343
1120	270000	1000	160	240	160	240	1120	360	360	380	8.5	100	180	768.5	105	105	2LC0132-3AB ■ ■ ■ -0AA0	1560
			240	270	240	270		410	410	106					106	2LC0132-3AB ■ ■ ■ -0AA0		1660
			270	330	270	330		495	495	109					109	2LC0132-3AB ■ ■ ■ -0AA0		1730
			330	370	330	370		560	560	119					119	2LC0132-3AB ■ ■ ■ -0AA0		1870
1250	345000	900	180	270	180	270	1250	410	410	420	8.5	100	180	848.5	168	168	2LC0132-4AB ■ ■ ■ -0AA0	2000
			270	300	270	300		460	460	172					172	2LC0132-4AB ■ ■ ■ -0AA0		2150
			300	360	300	360		540	540	179					179	2LC0132-4AB ■ ■ ■ -0AA0		2200
			360	400	360	400		610	610	189					189	2LC0132-4AB ■ ■ ■ -0AA0		2420
1400	530000	800	200	310	200	310	1400	465	465	480	9	120	210	969	316	316	2LC0132-5AB ■ ■ ■ -0AA0	3020
			310	350	310	350		525	525	322					322	2LC0132-5AB ■ ■ ■ -0AA0		3120
			350	410	350	410		620	620	337					337	2LC0132-5AB ■ ■ ■ -0AA0		3350
			410	460	410	460		700	700	357					357	2LC0132-5AB ■ ■ ■ -0AA0		3570
1600	750000	700	260	370	260	370	1600	565	565	540	9	120	210	1089	540	540	2LC0132-6AB ■ ■ ■ -0AA0	3890
			370	410	370	410		625	625	554					554	2LC0132-6AB ■ ■ ■ -0AA0		4270
			410	480	410	480		720	720	587					587	2LC0132-6AB ■ ■ ■ -0AA0		4300
			480	510	480	510		770	770	611					611	2LC0132-6AB ■ ■ ■ -0AA0		4630
1800	975000	600	320	440	320	440	1800	660	660	600	12	140	240	1212	1043	1043	2LC0132-7AB ■ ■ ■ -0AA0	6230
			440	480	440	480		720	720	1072					1072	2LC0132-7AB ■ ■ ■ -0AA0		6460
			480	540	480	540		820	820	1122					1122	2LC0132-7AB ■ ■ ■ -0AA0		6770
			540	580	540	580		870	870	1143					1143	2LC0132-7AB ■ ■ ■ -0AA0		7030
2000	1300000	550	380	500	380	500	2000	760	760	660	12	140	240	1332	1628	1628	2LC0132-8AB ■ ■ ■ -0AA0	8140
			500	540	500	540		820	820	1664					1664	2LC0132-8AB ■ ■ ■ -0AA0		8430
			540	610	540	610		920	920	1735					1735	2LC0132-8AB ■ ■ ■ -0AA0		8860
			610	640	610	640		960	960	1793					1793	2LC0132-8AB ■ ■ ■ -0AA0		9050

- ∅D1:
- Without finished bore up to size 500, from size 560 for 1st diameter range D1 – Without order codes
 - Without finished bore from size 560 for 2nd diameter range D1 – Without order codes
 - Without finished bore from size 560 for 3rd diameter range D1 – Without order codes
 - Without finished bore from size 900 for 4th diameter range D1 – Without order codes
 - With finished bore – With order codes for diameter and tolerance (article number without "-Z")
- ∅D2:
- Without finished bore up to size 500, from size 560 for 1st diameter range D1 – Without order codes
 - Without finished bore from size 560 for 2nd diameter range D2 – Without order codes
 - Without finished bore from size 560 for 3rd diameter range D2 – Without order codes
 - Without finished bore from size 900 for 4th diameter range D2 – Without order codes
 - With finished bore – With order codes for diameter and tolerance (article number without "-Z")

From size 560 bores D1 and D2 are each provided with a recess of D = +1 mm half way along the hub. $V \approx 1/3 NL$

The hub diameter of the component part is assigned according to the diameter of the finished bore. Where bore diameters overlap, the component with the smaller hub diameter is always selected.

Weight and mass moments of inertia apply to maximum bore diameters.

Ordering example:

RUPEX RWS coupling, size 710,
 Part 1: Hub left with bore 180H7 mm, with keyway to DIN 6885 and set screw,
 Part 2: Hub right with bore 200H7 mm, with keyway to DIN 6885 and set screw.

Coupling balanced G6.3 in accordance with the half parallel key standard.

Article No.:
2LC0131-8AB99-0AA0-Z
L2B+M2D+W02

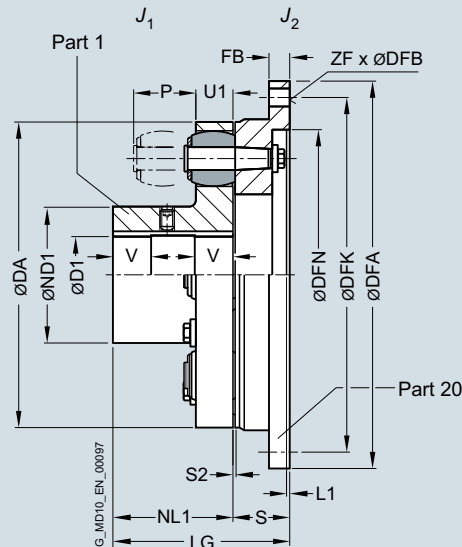
The article number applies to standard buffers of 80 ShoreA; the article number for alternative buffer types is available on request.

FLENDER Standard Couplings

Flexible Couplings – RUPEX Series

Type RFN with hub in grey cast iron

Selection and ordering data



For dimensions U1, P and S2, see type RWN.

Size	Rated torque buffer 80 ShoreA T_{KN} Nm	Speed n_{Kmax} rpm	Dimensions in mm													Mass moment of inertia		Article No. Order codes for bore diameters and tolerances are specified in catalog section 3	Weight m kg			
			Bore with keyway to DIN 6885			Flange connection										J_1	J_2					
			D1 min.	DA	ND1	NL1	S	LG	DFA h8	FB	DFN H7	L1	DFK	ZF	DFB	kgm ²	kgm ²					
105	200	7000	–	32	105	53	45	26	71	158	10		142	6	9	0.001	0.005	2LC0130-1AJ	1-0AA0	2.3		
125	350	6000	–	42	125	65	50	31	81	180	13		160	6	11	0.003	0.012	2LC0130-2AJ	1-0AA0	4.2		
144	500	5250	–	45	144	76	55	31	86	200	13		180	7	11	0.004	0.018	2LC0130-3AJ	1-0AA0	5.0		
162	750	4650	–	50	162	85	60	37.5	97.5	220	13		200	8	11	0.007	0.032	2LC0130-4AJ	1-0AA0	7.3		
178	950	4200	–	60	178	102	70	37.5	107.5	248	16		224	8	14	0.014	0.055	2LC0130-5AJ	1-0AA0	10		
198	1300	3750	–	70	198	120	80	37.5	117.5	274	16		250	8	14	0.022	0.080	2LC0130-6AJ	1-0AA0	13		
228	2200	3300	–	80	228	129	90	45.5	135.5	314	20		282	8	18	0.038	0.18	2LC0130-7AJ	1-0AA0	20		
252	2750	3000	–	90	252	150	100	45.5	145.5	344	20		312	8	18	0.07	0.26	2LC0130-8AJ	1-0AA0	25		
285	4300	2650	48	100	285	164	110	55.5	165.5	380	22		348	9	18	0.13	0.46	2LC0131-0AJ	1-0AA0	38		
320	5500	2350	55	110	320	180	125	55.5	175.5	430	25		390	9	22	0.23	0.76	2LC0131-1AJ	1-0AA0	50		
360	7800	2100	65	120	360	200	140	70.5	210.5	480	25		440	10	22	0.41	1.4	2LC0131-2AJ	1-0AA0	76		
400	12500	2050	75	140	400	230	160	74.5	234.5	520	50	380	4	480	10	22	0.87	1.8	2LC0131-3AJ	1-0AA0	125	
450	18500	1800	85	160	450	260	180	85.5	265.5	575	45	428	6	528	12	26	1.7	3.2	2LC0131-4AJ	1-0AA0	170	
500	25000	1600	95	180	500	290	200	85.5	285.5	620	45	475	6	570	12	26	2.8	4.3	2LC0131-5AJ	1-0AA0	205	
560	39000	1450	100	140	560	250	220	106	326	700	65	532	8	650	16	26	4.6	8.2	2LC0131-6AJ	1-0AA0	330	
			140	180	300													5		2LC0131-6AJ	1-0AA0	330
			180	200	320													5.1		2LC0131-6AJ	1-0AA0	340
630	52000	1280	100	140	630	250	240	106	346	785	60	602	8	725	16	33	7.2	13.8	2LC0131-7AJ	1-0AA0	390	
			140	180	300													7.7		2LC0131-7AJ	1-0AA0	400
			180	220	355													8.4		2LC0131-7AJ	1-0AA0	420
710	84000	1150	110	160	710	290	260	127	387	875	80	675	10	815	18	33	13	26	2LC0131-8AJ	1-0AA0	550	
			160	200	330													14		2LC0131-8AJ	1-0AA0	550
			200	240	385													15		2LC0131-8AJ	1-0AA0	570
800	110000	1000	125	180	800	320	290	127	417	1000	70	765	10	930	16	39	22	45	2LC0131-9AJ	1-0AA0	680	
			180	220	360													23		2LC0131-9AJ	1-0AA0	690
			220	260	420													24.5		2LC0131-9AJ	1-0AA0	710

- ØD1:
- Without finished bore up to size 500, from size 560 for 1st diameter range D1 – Without order codes
 - Without finished bore from size 560 for 2nd diameter range D1 – Without order codes
 - Without finished bore from size 560 for 3rd diameter range D1 – Without order codes
 - With finished bore – With order codes for diameter and tolerance (article number without "-Z")

1
2
3
9

From size 560 bore D1 is provided with a recess of $D = +1$ mm halfway along the hub. $V \approx 1/3$ NL

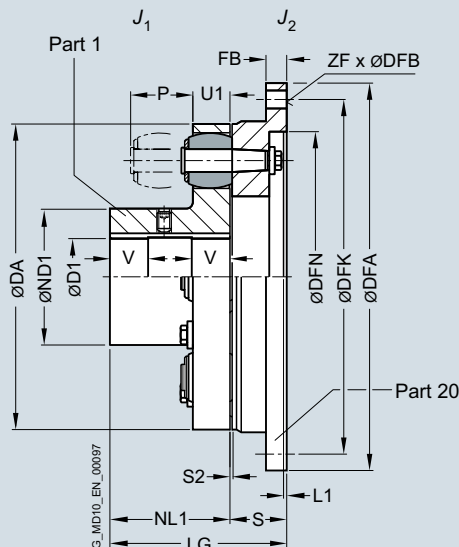
Weight and mass moments of inertia apply to maximum bore diameters.

The article number applies to standard buffers of 80 ShoreA; the article number for alternative buffer types is available on request.

FLENDER Standard Couplings Flexible Couplings – RUPEX Series

Type RFS in steel

Selection and ordering data



For dimensions U1, P and S2, see type RWS.

Size	Rated torque buffer 80 ShoreA T_{KN} Nm	Speed n_{Kmax} rpm	Dimensions in mm										Mass moment of inertia		Article No. Order codes for bore diameters and tolerances are specified in catalog section 3	Weight m kg				
			Bore with keyway to DIN 6885		Flange connection								J_1	J_2						
			D1 min.	DA	ND1	NL1	S	LG	DFA h8	FB	DFN H7	L1	DFK	ZF	DFB					
105	200	10000	-	32	105	53	45	26	71	158	10		142	6	9	0.001	0.005	2LC0130-1AK ■ 1-0AA0	2.3	
125	350	9000	-	42	125	65	50	31	81	180	13		160	6	11	0.003	0.012	2LC0130-2AK ■ 1-0AA0	4.2	
144	500	7800	-	50	144	76	55	31	86	200	13		180	7	11	0.004	0.018	2LC0130-3AK ■ 1-0AA0	5.0	
162	750	6900	-	55	162	85	60	37.5	97.5	220	13		200	8	11	0.007	0.032	2LC0130-4AK ■ 1-0AA0	7.3	
178	950	6300	-	70	178	102	70	37.5	107.5	248	16		224	8	14	0.014	0.055	2LC0130-5AK ■ 1-0AA0	10.0	
198	1300	5600	-	80	198	120	80	37.5	117.5	274	16		250	8	14	0.022	0.080	2LC0130-6AK ■ 1-0AA0	13	
228	2200	4900	-	85	228	129	90	45.5	135.5	314	20		282	8	18	0.038	0.18	2LC0130-7AK ■ 1-0AA0	20	
252	2750	4400	-	100	252	150	100	45.5	145.5	344	20		312	8	18	0.07	0.26	2LC0130-8AK ■ 1-0AA0	25	
285	4300	3900	48	110	285	164	110	55.5	165.5	380	22		348	9	18	0.13	0.46	2LC0131-0AK ■ 1-0AA0	38	
320	5500	3500	55	125	320	180	125	55.5	175.5	430	25		390	9	22	0.23	0.76	2LC0131-1AK ■ 1-0AA0	50	
360	7800	3100	65	135	360	200	140	70.5	210.5	480	25		440	10	22	0.41	1.4	2LC0131-2AK ■ 1-0AA0	76	
400	12500	2800	75	150	400	230	160	74.5	234.5	520	50	380	4	480	10	22	0.92	1.8	2LC0131-3AK ■ 1-0AA0	125
450	18500	2500	85	170	450	260	180	85.5	265.5	575	45	428	6	528	12	26	1.7	3.2	2LC0131-4AK ■ 1-0AA0	175
500	25000	2200	95	190	500	290	200	85.5	285.5	620	45	475	6	570	12	26	2.8	4.3	2LC0131-5AK ■ 1-0AA0	210
560	39000	2000	100	165	560	250	220	106	326	700	65	532	8	650	16	26	4.8	8.2	2LC0131-6AK ■ 1-0AA0	330
			165	200		300											5.2		2LC0131-6AK ■ 1-0AA0	340
			200	210		320											5.4		2LC0131-6AK ■ 1-0AA0	340
630	52000	1800	100	165	630	250	240	106	346	785	60	602	8	725	16	33	7.6	13.8	2LC0131-7AK ■ 1-0AA0	390
			165	200		300											7.9		2LC0131-7AK ■ 1-0AA0	400
			200	235		355											8.7		2LC0131-7AK ■ 1-0AA0	420
710	84000	1600	110	190	710	290	260	127	387	875	80	675	10	815	18	33	14.4	26	2LC0131-8AK ■ 1-0AA0	550
			190	220		330											14.6		2LC0131-8AK ■ 1-0AA0	560
			220	250		385											15.9		2LC0131-8AK ■ 1-0AA0	580
800	110000	1400	125	210	800	320	290	127	417	1000	70	765	10	930	16	39	23.1	45	2LC0131-9AK ■ 1-0AA0	690
			210	240		360											23.3		2LC0131-9AK ■ 1-0AA0	710
			240	280		420											25.7		2LC0131-9AK ■ 1-0AA0	730

- ØD1:
- Without finished bore up to size 500, from size 560 for 1st diameter range D1 – Without order codes 1
 - Without finished bore from size 560 for 2nd diameter range D1 – Without order codes 2
 - Without finished bore from size 560 for 3rd diameter range D1 – Without order codes 3
 - With finished bore – With order codes for diameter and tolerance (article number without "-Z") 9

From size 560 bore D1 is provided with a recess of $D = +1$ mm halfway along the hub. $V \approx 1/3$ NL

Weight and mass moments of inertia apply to maximum bore diameters.

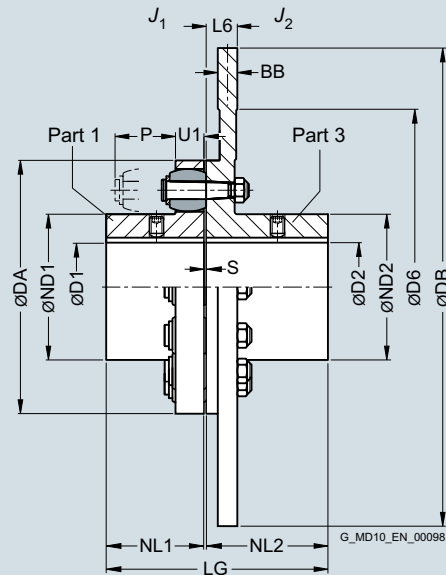
The article number applies to standard buffers of 80 ShoreA; the article number for alternative buffer types is available on request.

FLENDER Standard Couplings

Flexible Couplings – RUPEX Series

Type RWB with brake disk to DIN 15432

Selection and ordering data



Size	Rated torque buffer 80 ShoreA T_{KN} Nm	Dimensions in mm													Brake disk				Article No. Plain text specification DB; BB; D6; NL2 required for order code P0Y Order codes for bore diameters and tolerances are specified in catalog section 3	
		Bore with keyway to DIN 6885																		
		D1 min.	D2 max.	DA	ND1	ND2	NL1	NL2 max.	S	U1	P	LG max.	DB max.	DB min.	D6 min.	BB	L6			
144	500	–	45	–	45	144	76	84	55	219	3	16	35	277	500	315	175	30	34	2LC0130-3AE ■ ■ ■ -0ZA0 P0Y
162	750	–	50	–	50	162	85	92	60	219	3.5	20	40	282.5	560	315	175	30	34	2LC0130-4AE ■ ■ ■ -0ZA0 P0Y
178	950	–	60	–	60	178	102	108	70	219	3.5	20	40	292.5	560	355	200	30	34	2LC0130-5AE ■ ■ ■ -0ZA0 P0Y
198	1300	–	70	–	70	198	120	128	80	219	3.5	20	40	302.5	560	355	200	30	34	2LC0130-6AE ■ ■ ■ -0ZA0 P0Y
228	2200	–	80	–	80	228	129	140	90	219	3.5	26	50	312.5	800	450	250	30	34	2LC0130-7AE ■ ■ ■ -0ZA0 P0Y
252	2750	–	90	38	100	252	150	160	100	219	3.5	26	50	322.5	800	500	280	30	34	2LC0130-8AE ■ ■ ■ -0ZA0 P0Y
285	4300	48	100	48	110	285	164	175	110	219	4.5	32	60	333.5	800	560	310	30	34	2LC0131-0AE ■ ■ ■ -0ZA0 P0Y
320	5500	55	110	55	120	320	180	192	125	219	4.5	32	60	348.5	1000	630	350	30	34	2LC0131-1AE ■ ■ ■ -0ZA0 P0Y

∅D1:	• Without finished bore – Without order codes	1
	• With finished bore – With order codes for diameter and tolerance (article number without "-Z")	9
∅D2:	• Without finished bore – Without order codes	1
	• With finished bore – With order codes for diameter and tolerance (article number without "-Z")	9

Brake disk diameter DB in accordance with customer specification.

Additional sizes are available on request. Further dimensions for part 3 on request.

Maximum speed in rpm:

$$n_{Kmax} = 1146/DB \quad DB \text{ in m}$$

Observe maximum speed of type RWN!

Mass moments of inertia and weights can be sufficiently precisely determined as follows:

- Mass moments of inertia in kgm^2 :
 $J_1 = J_1$ from type RWN
 $J_2 = J_2$ from type RWN + $710 \cdot BB \cdot DB^4$ BB and DB in m
- Weight in kg:
 $m = m$ from type RWN + $5700 \cdot BB \cdot DB^2$ BB and DB in m

Ordering example:

RUPEX RWB coupling, size 252,

Part 1: Bore D1 = 48H7 mm, keyway to DIN 6885-1 and set screw,

Part 3: Brake disk DB = 630; BB = 30 mm; D6 = 350 mm, bore 42H7 mm, keyway to DIN 6885-1 P9 and set screw.

Hub reduced to NL2 = 200 mm

Coupling micro-balanced G6.3 at 1500 rpm in accordance with the half parallel key standard.

Mass moment of inertia:

$$J_1 = 0.07 \text{ kgm}^2$$

$$J_2 = 0.12 \text{ kgm}^2 + 3.3 \text{ kgm}^2 = 3.42 \text{ kgm}^2$$

Weight:

$$m = 26.3 \text{ kg} + 68 \text{ kg} = 94.3 \text{ kg}$$

Article No.:

2LC0130-8AE99-0ZA0-Z

L1B+M0X+P0Y+W02

Plain text to P0Y:

DB = 630 mm; BB = 30 mm;

D6 = 350 mm; NL2 = 200 mm

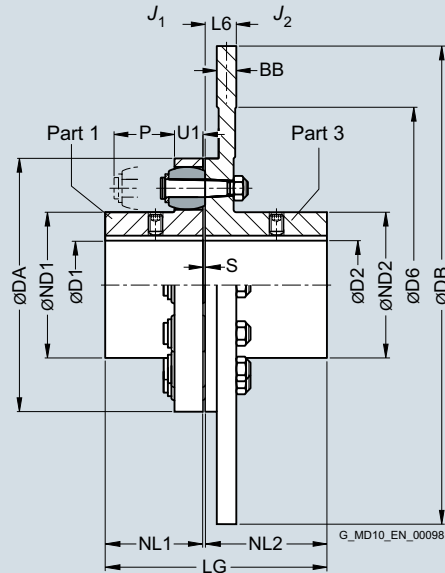
The article number applies to standard buffers of 80 ShoreA; the article number for alternative buffer types is available on request.

FLENDER Standard Couplings

Flexible Couplings – RUPEX Series

Type RBS with brake disk to DIN 15432
Sizes 144 to 360

Selection and ordering data



Size	Rated torque buffer 80 ShoreA T_{KN} Nm	Dimensions in mm														Article No. Plain text specification DB ; BB ; D6 ; NL2 required for order code P0Y Order codes for bore diameters and tolerances are specified in catalog section 3			
		Bore with keyway to DIN 6885				Brake disk													
		D1 min.	D2 max.	DA	ND1	ND2	NL1	NL2 max.	S	U1	P	LG max.	DB min.	D6 min.	BB	L6			
144	500	–	50	–	45	144	76	84	55	219	3	16	35	277	315	175	30	34	2LC0130-3AH ■ ■ ■ -0ZA0 P0Y
162	750	–	55	–	50	162	85	92	60	219	3.5	20	40	282.5	315	175	30	34	2LC0130-4AH ■ ■ ■ -0ZA0 P0Y
178	950	–	70	–	60	178	102	108	70	219	3.5	20	40	292.5	355	200	30	34	2LC0130-5AH ■ ■ ■ -0ZA0 P0Y
198	1300	–	80	–	70	198	120	128	80	219	3.5	20	40	302.5	355	200	30	34	2LC0130-6AH ■ ■ ■ -0ZA0 P0Y
228	2200	–	85	–	80	228	129	140	90	219	3.5	26	50	312.5	450	250	30	34	2LC0130-7AH ■ ■ ■ -0ZA0 P0Y
252	2750	–	100	38	100	252	150	160	100	219	3.5	26	50	322.5	500	280	30	34	2LC0130-8AH ■ ■ ■ -0ZA0 P0Y
285	4300	48	110	48	120	285	164	175	110	219	4.5	32	60	333.5	560	310	30	34	2LC0131-0AH ■ ■ ■ -0ZA0 P0Y
320	5500	55	125	55	130	320	180	192	125	219	4.5	32	60	348.5	630	350	30	34	2LC0131-1AH ■ ■ ■ -0ZA0 P0Y
360	7800	65	135	65	140	360	200	210	140	221	4.5	42	75	365.5	710	390	30	36	2LC0131-2AE ■ ■ ■ -0ZA0 P0Y
ØD1:		<ul style="list-style-type: none"> Without finished bore – Without order codes With finished bore – With order codes for diameter and tolerance (article number without "-Z") 																1 9	
ØD2:		<ul style="list-style-type: none"> Without finished bore – Without order codes With finished bore – With order codes for diameter and tolerance (article number without "-Z") 																1 9	

FLENDER Standard Couplings

Flexible Couplings – RUPEX Series

Type RBS with brake disk to DIN 15432
Sizes 144 to 360

Brake disk diameter DB in accordance with customer specification.

Additional sizes are available on request. Further dimensions for part 3 on request.

Maximum speed in rpm:

$$n_{Kmax} = 1528/DB \quad DB \text{ in m}$$

Observe maximum speed of type RWS!

Mass moments of inertia and weights can be sufficiently precisely determined as follows:

- Mass moments of inertia in kgm^2 :
 $J_1 = J_1$ from type RWS
 $J_2 = J_2$ from type RWS + $770 \cdot BB \cdot DB^4$ BB and DB in m
- Weight in kg:
 $m = m$ from type RWS + $6160 \cdot BB \cdot DB^2$ BB and DB in m

Ordering example:

RUPEX RBS coupling, size 252,

Part 1: Bore D1 = 48H7 mm, keyway to DIN 6885-1 and set screw,

Part 3: Brake disk DB = 630 x BB = 30 mm, D6 = 350 mm, bore 42H7 mm, keyway to DIN 6885-1 P9 and set screw.

Hub reduced to NL2 = 200 mm

Coupling micro-balanced G6.3 at 1500 rpm in accordance with the half parallel key standard.

Mass moment of inertia:

$$J_1 = 0.07 \text{ kgm}^2$$

$$J_2 = 0.12 \text{ kgm}^2 + 3.6 \text{ kgm}^2 = 3.72 \text{ kgm}^2$$

Weight:

$$m = 25.8 \text{ kg} + 73 \text{ kg} = 98.8 \text{ kg}$$

Article No.:

2LC0130-8AH99-0ZA0-Z

L1B+M0X+P0Y+W02

Plain text to P0Y:

DB = 630 mm; BB = 30 mm;

D6 = 350 mm; NL2 = 200 mm

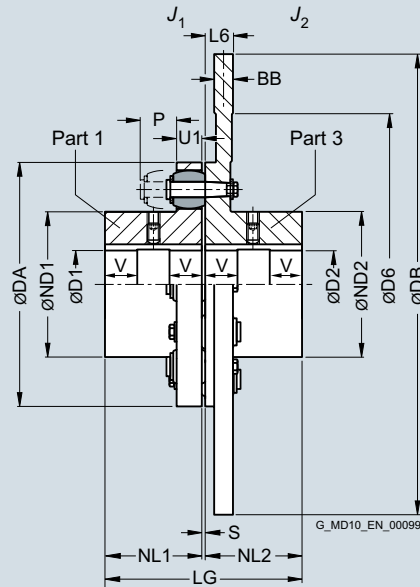
The article number applies to standard buffers of 80 ShoreA; the article number for alternative buffer types is available on request.

FLENDER Standard Couplings

Flexible Couplings – RUPEX Series

Type RBS with brake disk to DIN 15432
Sizes 400 to 1000

Selection and ordering data



Size	Rated torque buffer 80 ShoreA T_{KN} Nm	Dimensions in mm														Brake disk			Article No. Plain text specification DB ; BB ; D6 ; NL2 required for order code P0Y Order codes for bore diameters and tolerances are specified in catalog section 3
		Bore with keyway to DIN 6885				DA	ND1	ND2	NL1	NL2	S	U1	P	LG	D6 min.	BB	L6		
D1 min.	D1 max.	D2 min.	D2 max.																
400	12500	75	150	75	150	400	230	230	160	225	4.5	42	75	389.5	440	30	40	2LC0131-3AH ■ ■ -0ZA0 P0Y	
450	18500	85	170	85	170	450	260	260	180	225	5.5	52	90	410.5	500	30	40	2LC0131-4AH ■ ■ -0ZA0 P0Y	
500	25000	95	190	95	190	500	290	290	200	225	5.5	52	90	430.5	500	30	40	2LC0131-5AH ■ ■ -0ZA0 P0Y	
560	39000	100	165	100	210	560	250	320	220	225	6	68	120	451	600	30	40	2LC0131-6AH ■ ■ -0ZA0 P0Y	
		165	200				300											2LC0131-6AH ■ ■ -0ZA0 P0Y	
		200	210				320												2LC0131-6AH ■ ■ -0ZA0 P0Y
630	52000	100	165	100	235	630	250	355	240	240	6	68	120	486	670	30	55	2LC0131-7AH ■ ■ -0ZA0 P0Y	
		165	200				300												2LC0131-7AH ■ ■ -0ZA0 P0Y
		200	235				355												2LC0131-7AH ■ ■ -0ZA0 P0Y
710	84000	110	190	110	250	710	290	385	260	260	7	80	140	527	760	30	75	2LC0131-8AH ■ ■ -0ZA0 P0Y	
		190	220				330												2LC0131-8AH ■ ■ -0ZA0 P0Y
		220	250				385												2LC0131-8AH ■ ■ -0ZA0 P0Y
800	110000	125	210	125	280	800	320	420	290	290	7	80	140	587	840	30	75	2LC0132-0AH ■ ■ -0ZA0 P0Y	
		210	240				360												2LC0132-0AH ■ ■ -0ZA0 P0Y
		240	280				420												2LC0132-0AH ■ ■ -0ZA0 P0Y

ØD1: • Without finished bore up to size 500, from size 560 for 1st diameter range D1 – Without order codes

• Without finished bore from size 560 for 2nd diameter range D1 – Without order codes

• Without finished bore from size 560 for 3rd diameter range D1 – Without order codes

• With finished bore – With order codes for diameter and tolerance (article number without "-Z")

1
2
3
9

ØD2: • Without finished bore up to size 500, from size 560 for 1st diameter range D1 – Without order codes

• Without finished bore from size 560 for 2nd diameter range D2 – Without order codes

• Without finished bore from size 560 for 3rd diameter range D2 – Without order codes

• With finished bore – With order codes for diameter and tolerance (article number without "-Z")

1
2
3
9

FLENDER Standard Couplings

Flexible Couplings – RUPEX Series

Type RBS with brake disk to DIN 15432
Sizes 400 to 1000

Size	Rated torque buffer 80 ShoreA T_{KN} Nm	Dimensions in mm													Brake disk			Article No. Plain text specification DB ; BB ; D6 ; NL2 required for order code P0Y Order codes for bore diameters and tolerances are specified in catalog section 3	
		Bore with keyway to DIN 6885		D1		D2		DA	ND1	ND2	NL1	NL2	S	U1	P	LG	D6 min.		BB
		min.	max.	min.	max.														
900	150000	140	210	140	310	900	320	465	320	–	7.5	90	160	647.5	950	30	75	2LC0132-1AH ■ ■ -0ZA0 P0Y	
		210	240				360											2LC0132-1AH ■ ■ -0ZA0 P0Y	
		240	280				425											2LC0132-1AH ■ ■ -0ZA0 P0Y	
		280	310				465											2LC0132-1AH ■ ■ -0ZA0 P0Y	
1000	195000	150	230	150	340	1000	355	515	350	–	7.5	90	160	707.5	1050	30	75	2LC0132-2AH ■ ■ -0ZA0 P0Y	
		230	260				395											2LC0132-2AH ■ ■ -0ZA0 P0Y	
		260	300				460											2LC0132-2AH ■ ■ -0ZA0 P0Y	
		300	340				515											2LC0132-2AH ■ ■ -0ZA0 P0Y	

∅D1:

- Without finished bore up to size 500, from size 560 for 1st diameter range D1 – Without order codes
- Without finished bore from size 560 for 2nd diameter range D1 – Without order codes
- Without finished bore from size 560 for 3rd diameter range D1 – Without order codes
- Without finished bore from size 900 for 4th diameter range D1 – Without order codes
- With finished bore – With order codes for diameter and tolerance (article number without "-Z")

1
2
3
4
9

∅D2:

- Without finished bore up to size 500, from size 560 for 1st diameter range D1 – Without order codes
- Without finished bore from size 560 for 2nd diameter range D2 – Without order codes
- Without finished bore from size 560 for 3rd diameter range D2 – Without order codes
- Without finished bore from size 900 for 4th diameter range D2 – Without order codes
- With finished bore – With order codes for diameter and tolerance (article number without "-Z")

1
2
3
4
9

From size 560 bore D1 is provided with a recess of $D = +1$ mm halfway along the hub.
 $V \approx 1/3$ NL

Brake disk diameter DB in accordance with customer specification.

Additional sizes are available on request. Further dimensions for part 3 on request.

Maximum speed in rpm:

$$n_{Kmax} = 1528/DB \quad DB \text{ in m}$$

Observe maximum speed of type RWS!

Mass moments of inertia and weights can be sufficiently precisely determined as follows:

- Mass moments of inertia in kgm^2 :
 $J_1 = J_1$ from type RWS
 $J_2 = J_2$ from type RWS + $770 \cdot BB \cdot DB^4$ BB and DB in m
- Weight in kg:
 $m = m$ from type RWS + $6160 \cdot BB \cdot DB^2$ BB and DB in m

Ordering example:

RUPEX RBS coupling, size 450,
Part 1: Bore D1 = 130H7 mm, keyway to DIN 6885-1 and set screw,
Part 3: Brake disk DB = 900; BB = 30 mm; D6 = 500 mm; bore 120H7 mm, keyway to DIN 6885-1 P9 and set screw.

Coupling micro-balanced G6.3 at 1500 rpm in accordance with the half parallel key standard.

Mass moment of inertia:

$$J_1 = 1.74 \text{ kgm}^2$$

$$J_2 = 1.74 \text{ kgm}^2 + 15 \text{ kgm}^2 = 16.74 \text{ kgm}^2$$

Weight:

$$m = 25.8 \text{ kg} + 149 \text{ kg} = 174.8 \text{ kg}$$

Article No.:

2LC0131-4AH99-0ZA0-Z

L1U+M1S+P0Y+W02

Plain text to P0Y:

DB = 900 mm; BB = 30 mm;

D6 = 500 mm; NL2 = 322 mm

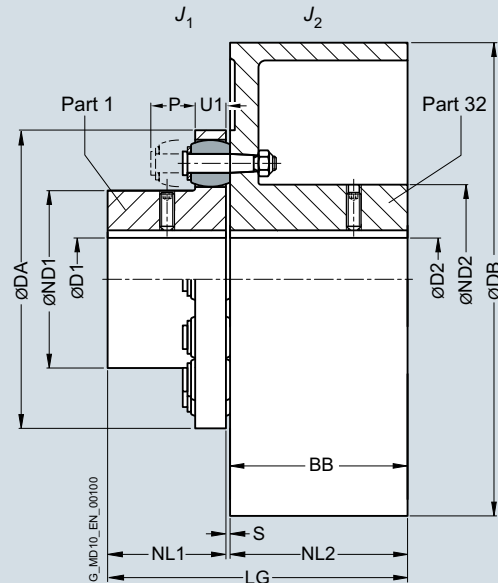
The article number applies to standard buffers of 80 ShoreA; the article number for alternative buffer types is available on request.

FLENDER Standard Couplings

Flexible Couplings – RUPEX Series

Type RWB with brake drum to DIN 15431

Selection and ordering data



For dimensions U1 and P, see type RWN.

Size	Rated torque buffer 80 ShoreA T_{KN} Nm	Speed n_{Kmax} rpm	Dimensions in mm Bore with keyway to DIN 6885											Mass moment of inertia		Article No. Order codes for bore diameters and tolerances are specified in catalog section 3	Weight m kg	
			D1 min.	D2 max.	DA	ND1	ND2	NL1	NL2/ S BB	DB	LG	J_1	J_2					
144	500	3400	–	45	–	55	144	76	84	55	75	3	200	133	0.004	0.04	2LC0130-3AC ■ ■ ■ -0BA0	9.5
162	750	2750	–	50	–	60	162	85	92	60	95	3.5	250	158.5	0.007	0.11	2LC0130-4AC ■ ■ ■ -0CA0	17
178	950	2750	–	60	–	70	178	102	108	70	95	3.5	250	168.5	0.014	0.12	2LC0130-5AC ■ ■ ■ -0CA0	20
		2150	–	70	–	80	198	120	128	80	118	3.5	315	191.5	0.014	0.31	2LC0130-5AC ■ ■ ■ -0DA0	28
198	1300	2750	–	70	–	80	198	120	128	80	95	3.5	250	178.5	0.022	0.13	2LC0130-6AC ■ ■ ■ -0CA0	24
		2150	–	80	–	90	228	129	140	90	118	3.5	315	201.5	0.022	0.32	2LC0130-6AC ■ ■ ■ -0DA0	32
228	2200	1700	–	80	–	90	228	129	140	90	150	3.5	400	243.5	0.038	1.0	2LC0130-7AC ■ ■ ■ -0EA0	54
252	2750	1700	–	90	38	100	252	150	160	100	150	3.5	400	253.5	0.07	1.0	2LC0130-8AC ■ ■ ■ -0EA0	63
		1400	–	100	48	110	285	164	175	110	190	4.5	500	293.5	0.07	2.8	2LC0130-8AC ■ ■ ■ -0FA0	93
285	4300	1400	48	100	48	110	285	164	175	110	190	4.5	500	304.5	0.13	2.8	2LC0131-0AC ■ ■ ■ -0FA0	104
		1100	–	110	55	120	320	180	192	125	236	4.5	630	350.5	0.13	7.8	2LC0131-0AC ■ ■ ■ -0GA0	157
320	5500	1100	55	110	55	120	320	180	192	125	236	4.5	630	365.5	0.23	7.9	2LC0131-1AC ■ ■ ■ -0GA0	172
		950	–	120	65	130	360	200	210	140	265	4.5	710	394.5	0.23	13.9	2LC0131-1AC ■ ■ ■ -0HA0	217
360	7800	1100	65	120	65	130	360	200	210	140	236	4.5	630	380.5	0.41	8.1	2LC0131-2AC ■ ■ ■ -0GA0	191
		950	–	130	75	140	400	220	230	150	265	4.5	710	409.5	0.41	14.0	2LC0131-2AC ■ ■ ■ -0HA0	236

ØD1: • Without finished bore – Without order codes
• With finished bore – With order codes for diameter and tolerance (article number without "-Z")

ØD2: • Without finished bore – Without order codes
• With finished bore – With order codes for diameter and tolerance (article number without "-Z")

Weight and mass moments of inertia apply to maximum bore diameters.

Ordering example:

RUPEX RWB coupling, size 252,
Part 1: Bore 48H7 mm, keyway to DIN 6885-1 and set screw,
Part 3: 500 x 190, bore 42H7 mm, keyway to DIN 6885-1 P9 and set screw.

Coupling micro-balanced G6.3 at 1500 rpm in accordance with the half parallel key standard.

Article No.:
2LC0130-8AC99-0FA0-Z
L1B+M0X+W02

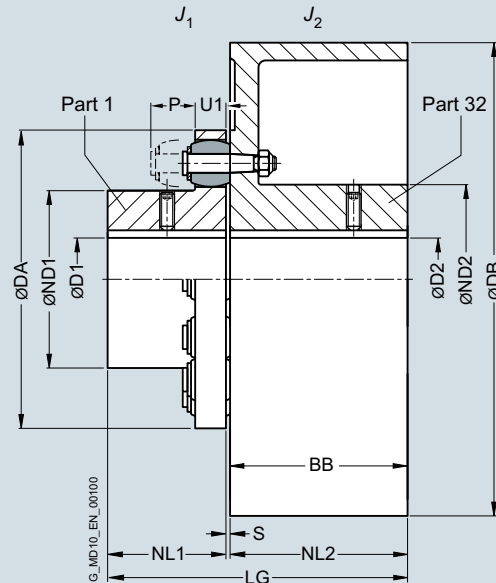
The article number applies to standard buffers of 80 ShoreA; the article number for alternative buffer types is available on request.

FLENDER Standard Couplings

Flexible Couplings – RUPEX Series

Type RBS with brake drum to DIN 15431

Selection and ordering data



For dimensions U1 and P, see type RWS

Size	Rated torque buffer 80 ShoreA T_{KN} Nm	Speed n_{Kmax} rpm	Dimensions in mm Bore with keyway to DIN 6885											Mass moment of inertia		Article No. Order codes for bore diameters and tolerances are specified in catalog section 3	Weight m kg	
			D1 min.	D2 max.	DA	ND1	ND2	NL1	NL2 BB	S	DB	LG	J_1	J_2				
144	500	5000	-	50	-	60	144	76	84	55	75	3	200	133	0.004	0.04	2LC0130-3AD ■ ■ ■ -0BA0	10
162	750	5000	-	55	-	65	162	85	92	60	95	3.5	250	158.5	0.007	0.13	2LC0130-4AD ■ ■ ■ -0CA0	18
178	950	4900	-	70	-	75	178	102	108	70	95	3.5	250	168.5	0.014	0.13	2LC0130-5AD ■ ■ ■ -0CA0	22
		4350									118		315	191.5		0.34	2LC0130-5AD ■ ■ ■ -0DA0	30
198	1300	4600	-	80	-	85	198	120	128	80	95	3.5	250	178.5	0.022	0.14	2LC0130-6AD ■ ■ ■ -0CA0	26
		4350									118		315	201.5		0.35	2LC0130-6AD ■ ■ ■ -0DA0	35
228	2200	3400	-	85	-	95	228	129	140	90	150	3.5	400	243.5	0.038	1.1	2LC0130-7AD ■ ■ ■ -0EA0	60
252	2750	3400	-	100	38	110	252	150	160	100	150	3.5	400	253.5	0.067	1.1	2LC0130-8AD ■ ■ ■ -0EA0	68
		2750				100					190		500	293.5		3.1	2LC0130-8AD ■ ■ ■ -0FA0	103
285	4300	2750	48	110	48	110	285	164	175	110	190	4.5	500	304.5	0.13	3.1	2LC0131-0AD ■ ■ ■ -0FA0	115
		2150									236		630	350.5		8.5	2LC0131-0AD ■ ■ ■ -0GA0	171
320	5500	2150	55	125	55	125	320	180	192	125	236	4.5	630	365.5	0.23	8.6	2LC0131-1AD ■ ■ ■ -0GA0	185
		1900									265		710	394.5		14.8	2LC0131-1AD ■ ■ ■ -0HA0	230
360	7800	2150	65	135	65	135	360	200	210	140	236	4.5	630	380.5	0.41	8.9	2LC0131-2AD ■ ■ ■ -0GA0	210
		1900									265		710	409.5		15.1	2LC0131-2AD ■ ■ ■ -0HA0	255

ØD1: • Without finished bore – Without order codes

• With finished bore – With order codes for diameter and tolerance (article number without "-Z")

1

9

ØD2: • Without finished bore – Without order codes

• With finished bore – With order codes for diameter and tolerance (article number without "-Z")

1

9

Weight and mass moments of inertia apply to maximum bore diameters.

Ordering example:

RUPEX RBS coupling, size 252,

Part 1: Bore 48H7 mm, keyway to DIN 6885-1 and set screw,
Part 3: 500 x 190, bore 42H7 mm, keyway to DIN 6885-1 P9 and set screw.

Coupling micro-balanced.

Article No.:

2LC0130-8AD99-0FA0-Z
L1B+M0X+W02

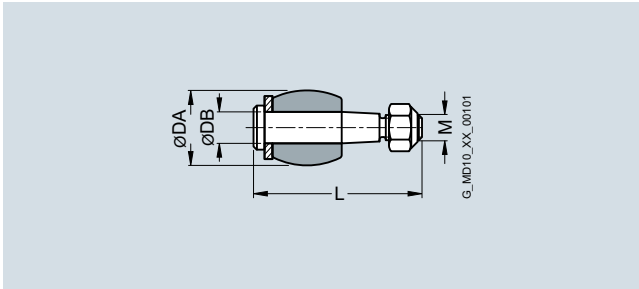
The article number applies to standard buffers of 80 ShoreA; the article number for alternative buffer types is available on request.

FLENDER Standard Couplings

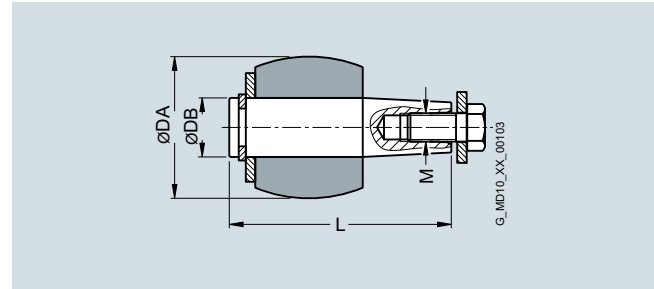
Flexible Couplings – RUPEX Series

Spare and wear parts

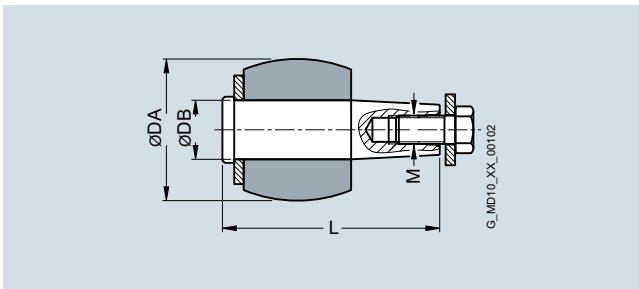
Selection and ordering data



Sizes 105 ... 400



Sizes 710 ... 2000



Sizes 450 ... 630

Buffers and pins

The buffers of RUPEX couplings are wear parts. The service life depends on the operating conditions.

Size	Identification	Number per set	DA	DB	L	M	Article No. for a set of buffers Buffer Perbunan 80 ShoreA	Weight <i>m</i> kg	Article No. for a set of pins	Weight <i>m</i> kg
			mm	mm					mm	
105	105	8	20	8	45	M6	2LC0130-1WA00-0AA0	0.043	2LC0130-1WB00-0AA0	0.14
125	125	8	24	10	53.5	M8	2LC0130-2WA00-0AA0	0.098	2LC0130-2WB00-0AA0	0.28
144	125	10	24	10	53.5	M8	2LC0130-3WA00-0AA0	0.12	2LC0130-3WB00-0AA0	0.35
*)	125				59.5				2LC0130-3WB00-0AA0-Z Y99	0.4
162	162	9	30	12	64.5	M10	2LC0130-4WA00-0AA0	0.17	2LC0130-4WB00-0AA0	0.57
*)	162				67.5				2LC0130-4WB00-0AA0-Z Y99	0.60
178	162	10	30	12	64.5	M10	2LC0130-5WA00-0AA0	0.19	2LC0130-5WB00-0AA0	0.65
*)	162				67.5				2LC0130-5WB00-0AA0-Z Y99	0.67
198	162	12	30	12	64.5	M10	2LC0130-6WA00-0AA0	0.23	2LC0130-6WB00-0AA0	0.76
*)	162				67.5				2LC0130-6WB00-0AA0-Z Y99	0.80
228	228	11	40	16	79	M12	2LC0130-7WA00-0AA0	0.42	2LC0130-7WB00-0AA0	1.40
252	228	12	40	16	79	M12	2LC0130-8WA00-0AA0	0.45	2LC0130-8WB00-0AA0	1.50
285	285	11	48	20	98	M16	2LC0131-0WA00-0AA0	0.81	2LC0131-0WB00-0AA0	2.50
320	285	12	48	20	98	M16	2LC0131-1WA00-0AA0	0.88	2LC0131-1WB00-0AA0	2.80
360	360	10	64	25	123	M18	2LC0131-2WA00-0AA0	1.6	2LC0131-2WB00-0AA0	4.4
400	360	14	64	25	123	M18	2LC0131-3WA00-0AA0	2.2	2LC0131-3WB00-0AA0	6.1
450	450	12	78	32	123	M16	2LC0131-4WA00-0AA0	3.5	2LC0131-4WB00-0AA0	11
500	450	14	78	32	123	M16	2LC0131-5WA00-0AA0	4.0	2LC0131-5WB00-0AA0	13
560	560	12	101	42	158	M20	2LC0131-6WA00-0AA0	7.1	2LC0131-6WB00-0AA0	25
630	560	14	101	42	158	M20	2LC0131-7WA00-0AA0	8.3	2LC0131-7WB00-0AA0	29
710	710	14	120	50	185.5	M24	2LC0131-8WA00-0AA0	14	2LC0131-8WB00-0AA0	49
800	710	16	120	50	185.5	M24	2LC0132-0WA00-0AA0	16	2LC0132-0WB00-0AA0	56
900	900	16	136	55	207.5	M24	2LC0132-1WA00-0AA0	24	2LC0132-1WB00-0AA0	71
1000	900	18	136	55	207.5	M24	2LC0132-2WA00-0AA0	27	2LC0132-2WB00-0AA0	80
1120	1120	18	155	60	232.5	M30	2LC0132-3WA00-0AA0	41	2LC0132-3WB00-0AA0	110
1250	1120	20	155	60	232.5	M30	2LC0132-4WA00-0AA0	45	2LC0132-4WB00-0AA0	125
1400	1400	20	175	70	274	M30	2LC0132-5WA00-0AA0	65	2LC0132-5WB00-0AA0	185
1600	1400	24	175	70	274	M30	2LC0132-6WA00-0AA0	78	2LC0132-6WB00-0AA0	225
1800	1800	22	200	80	327	M36	2LC0132-7WA00-0AA0	115	2LC0132-7WB00-0AA0	320
2000	1800	26	200	80	327	M36	2LC0132-8WA00-0AA0	135	2LC0132-8WB00-0AA0	380

*) Only for type RWB with brake disk and type RBS with brake disk.
Plain text to Y99: *Types RWB/RBS with brake disk*

Flexible Couplings N-BIPEX Series



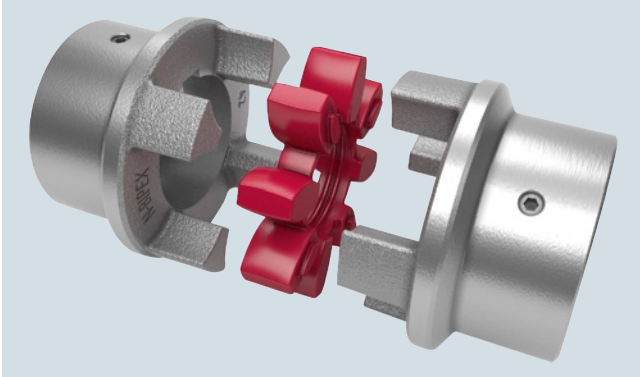
9/2	Overview
9/2	Benefits
9/2	Application
9/3	Function
9/3	Design
9/4	Technical specifications
9/6	Type BWN
9/6	Selection and ordering data
9/7	Spare and wear parts
9/7	Selection and ordering data

FLENDER Standard Couplings

Flexible Couplings – N-BIPEX Series

General

Overview



N-BIPEX couplings are torsionally flexible and are outstanding for their particularly compact design and low weight.

N-BIPEX couplings are used in many areas of mechanical engineering.

Their main area of use is in electric motor drives which are well aligned and have uniform torque loads, such as in hydraulic applications and in combinations with geared motors.

Benefits

N-BIPEX couplings are suitable for horizontal, vertical and freely selectable mounting positions. They are able to absorb axial, radial and angular misalignment.

N-BIPEX couplings consist of two identical hub parts which can be arranged as required on the shaft extensions to be connected. N-BIPEX couplings transmit the torque positively and are thus fail-safe. The curved design of the cast cams ensures that the N-BIPEX couplings have a perfect pressure distribution and this increases the elastomer lifetime.

The flexible cam rings responsible for torque transmission and misalignment compensation are available in different Shore hardnesses. As a result of the good damping capability and by selecting the suitable stiffness, torque shock loads can thus be absorbed and the torsional vibration behavior of the drive can be positively influenced. Different cam ring versions and ready-to-install hub parts are available from stock.

Application



The N-BIPEX coupling is available as a catalog standard in 10 sizes with rated torques of between 12 Nm and 4650 Nm and is made of high-grade spheroidal graphite cast iron.

The extremely high-performance cam ring materials are available from stock in three different Shore hardnesses with the following colors:

- 92 ShoreA – red
- 95 ShoreA – green
- 64 ShoreD – blue


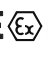



An additional size marking has been provided on the outer surface of the cam ring to be able to determine the size of the N-BIPEX even when it is in the assembled state without having to use any additional aids.

The coupling is suitable for use at ambient temperatures between -50 °C and $+100\text{ °C}$ without any restrictions on the rated torque as a result of temperature factors.

Coupling suitable for use in potentially explosive atmospheres.

Complies with the current ATEX Directive for:


 II 2 G IIB T4/T5/T6
 $-50\text{ °C} \leq T_a \leq +100\text{ °C}/+70\text{ °C}/+55\text{ °C}$

 II 2D T 120 °C
 $-50\text{ °C} \leq T_a \leq +90\text{ °C}$

 I M2

FLENDER Standard Couplings Flexible Couplings – N-BIPEX Series

General

Function

The torque is transmitted to the hub at the drive end via the shaft-hub connection, which is mostly designed as a keyway connection, and is transmitted to the hub on the output side via the cam ring. This hub then further transmits the torque to the driven machine or a gear unit placed in between. The special cam design helps to keep the compression-loaded cam ring elements in

their defined position under all operating conditions and to keep them evenly loaded. This results in a long lifetime of the flexible elements. A long lifetime is also guaranteed by the hub parts which ensure maximum operational reliability even under harsh operating conditions.

Design

The N-BIPEX coupling of type BWN comprises two identical hub parts connected by a cam ring of elastomer material.

The hubs are connected to the respective shafts via finished bores with parallel keyway connection.

N-BIPEX couplings are positive-locking and torsionally flexible thanks to the thermoplastic polyurethane cam ring.

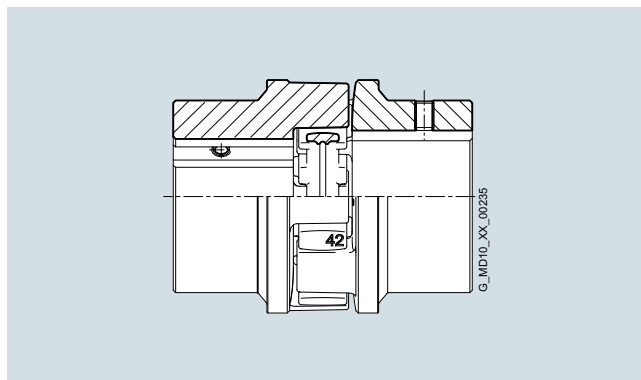
Coupling materials

Hubs:

EN-GJS-400-15

Cam ring:

- TPU 92 ShoreA -50 °C to +100 °C without any restrictions
- TPU 95 ShoreA -50 °C to +100 °C without any restrictions
- TPU 64 ShoreD -50 °C to +100 °C without any restrictions



Size	Un-drilled	Preferred bores from stock with cylindrical finished bores \varnothing in mm H7, parallel keyway according to DIN 6885-1 JS9																																				
		10	11	12	14	15	16	17	18	19	20	22	24	25	28	30	32	35	38	40	42	45	48	50	55	60	65	70	75	80	85	90	100	110	120			
19																																						
24																																						
28																																						
38																																						
42																																						
48																																						
55																																						
65																																						
75																																						
90																																						

Preferred bores



FLENDER Standard Couplings

Flexible Couplings – N-BIPEX Series

General

Technical specifications

Cam rings

Cam rings of polyurethane 92 ShoreA (standard)

Size	Rated torque	Maximum torque	Fatigue torque	Maximum speed $V \leq 45 \text{ m/s}$	Damping coefficient Ψ	Torsional stiffness at 50 % capacity utilization $C_{Tdyn} 50 \%$	Permitted shaft misalignment at ¹⁾		
	T_{KN} Nm	T_{Kmax} Nm	T_{KW} Nm	n_{max} rpm			< 10 Hz ΔK_a mm	n = 1500 rpm ΔK_r mm	ΔK_w degrees
19	12	36	2	19500	1.4	530	0.30	0.17	0.5
24	45	135	7	14500	1.4	1790	0.40	0.23	0.5
28	95	285	14	12500	1.4	3060	0.50	0.25	0.5
38	190	570	29	10000	1.4	6500	0.60	0.29	0.5
42	265	795	40	8500	1.4	8200	0.70	0.34	0.5
48	330	990	50	7500	1.4	10000	0.80	0.38	0.5
55	460	1380	70	6500	1.4	14500	0.90	0.40	0.5
65	670	2010	100	6000	1.4	25600	1.00	0.45	0.5
75	1400	4200	210	5000	1.4	37400	1.20	0.52	0.5
90	2500	7500	375	4000	1.4	62700	1.40	0.60	0.5

Cam rings of polyurethane 95 ShoreA (ordering option **-Z** and order code **K01**)

Size	Rated torque	Maximum torque	Fatigue torque	Maximum speed $V \leq 45 \text{ m/s}$	Damping coefficient Ψ	Torsional stiffness at 50 % capacity utilization $C_{Tdyn} 50 \%$	Permitted shaft misalignment at ¹⁾		
	T_{KN} Nm	T_{Kmax} Nm	T_{KW} Nm	n_{max} rpm			< 10 Hz ΔK_a mm	n = 1500 rpm ΔK_r mm	ΔK_w degrees
19	18	54	3	19500	1.4	1130	0.27	0.15	0.4
24	65	195	10	14500	1.4	4240	0.36	0.21	0.4
28	160	480	25	12500	1.4	8050	0.45	0.23	0.4
38	325	975	50	10000	1.4	14100	0.54	0.26	0.4
42	450	1350	70	8500	1.4	16200	0.63	0.31	0.4
48	550	1650	85	7500	1.4	23300	0.72	0.34	0.4
55	700	2100	105	6500	1.4	28500	0.81	0.36	0.4
65	1000	3000	150	6000	1.4	35000	0.90	0.41	0.4
75	2000	6000	300	5000	1.4	66300	1.08	0.47	0.4
90	3700	11100	555	4000	1.4	105000	1.26	0.54	0.4

Cam rings of polyurethane 64 ShoreD (ordering option **-Z** and order code **K04**)

Size	Rated torque	Maximum torque	Fatigue torque	Maximum speed $V \leq 45 \text{ m/s}$	Damping coefficient Ψ	Torsional stiffness at 50 % capacity utilization $C_{Tdyn} 50 \%$	Permitted shaft misalignment at ¹⁾		
	T_{KN} Nm	T_{Kmax} Nm	T_{KW} Nm	n_{max} rpm			< 10 Hz ΔK_a mm	n = 1500 rpm ΔK_r mm	ΔK_w degrees
19	25	75	5	19500	1.4	2010	0.24	0.14	0.3
24	90	270	15	14500	1.4	7680	0.32	0.18	0.3
28	200	600	30	12500	1.4	12200	0.40	0.20	0.3
38	405	1215	60	10000	1.4	25100	0.48	0.23	0.3
42	560	1680	84	8500	1.4	32000	0.56	0.27	0.3
48	700	2100	105	7500	1.4	41200	0.64	0.30	0.3
55	925	2775	140	6500	1.4	52600	0.72	0.32	0.3
65	1200	3600	180	6000	1.4	86700	0.80	0.36	0.3
75	2600	7800	390	5000	1.4	143000	0.96	0.42	0.3
90	4650	13950	700	4000	1.4	234000	1.12	0.48	0.3

Torsional stiffness and damping

The values stated in the above table apply to a capacity utilization of 50 %, an excitation amplitude of 10 % T_{KN} with frequency 10 Hz and an ambient temperature of 20 °C. The dynamic torsional stiffness (C_{Tdyn}) is load-dependent and increases in proportion to capacity utilization. The following table shows the correction factors for different nominal load.

$$C_{Tdyn} = C_{Tdyn} 50 \% \cdot FKC$$

Correction factor FKC	Capacity utilization T_N / T_{KN}						
	20 %	40 %	50 %	60 %	70 %	80 %	100 %
92/95 ShoreA and 64 ShoreD	0.56	0.85	1.00	1.17	1.35	1.53	1.92

Furthermore, torsional stiffness and damping depend on the ambient temperature, the frequency and the amplitude of the torsional vibration excitation. More precise torsional stiffness and damping parameters on request.

With flexible couplings the manufacturing process of the rubber elements and their aging primarily influence the stiffness value C_{Tdyn} . For this reason calculation must be made with a tolerance for the dynamic stiffness of $\pm 20 \%$. The specified damping coefficient Ψ is a minimum value with the result that the damping performance of the coupling corresponds at least to the specified value.

¹⁾ The maximum speed must be observed. Please refer to the Operating Instructions for further information on permitted shaft misalignment.

FLENDER Standard Couplings

Flexible Couplings – N-BIPEX Series

General

Permitted shaft misalignment

The permitted shaft misalignment depends on the operating speed. As the speed increases, lower shaft misalignment values are permitted. The following table shows the correction factors for different speeds. The maximum speed depending on the respective coupling size and type must be observed!

$$\Delta K_{\text{perm}} = \Delta K_{1500} \cdot \text{FKV}$$

	Speed in rpm			
	500	1000	1500	3000
Correction factor FKV	1.20	1.10	1.00	0.70

The axial misalignment may occur dynamically at frequencies up to 10 Hz. For fitting, the maximum gap dimension of $S2 \text{ max.} = S2 + \Delta S2$ and the minimum gap dimension of $S2 \text{ min.} = S2 - \Delta S2$ are permitted.

The shaft misalignments ΔK_a , ΔK_r and ΔK_w may occur simultaneously (see page 2/2).

Assignment of N-BIPEX sizes to output P_M of IEC standard motors

The assignment applies for a service factor of 1.25 and the use of a standard cam ring (92 ShoreA).

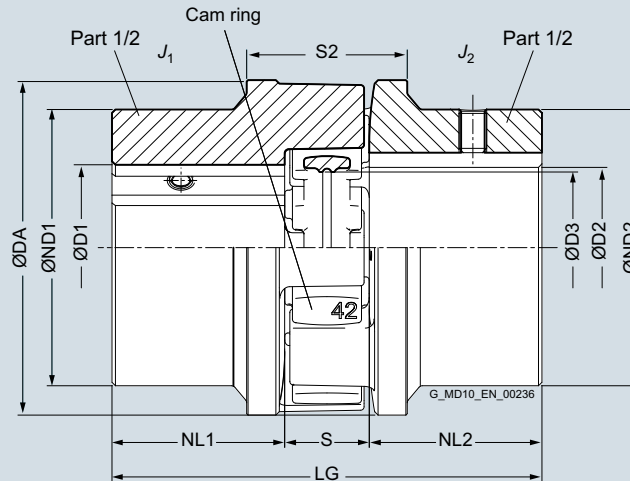
Three-phase motor Size	Motor		N-BIPEX coupling Size	Motor		N-BIPEX coupling Size	Motor		N-BIPEX coupling Size	Motor		N-BIPEX coupling Size	DE shaft end D x E acc. to IEC	
	Output at ≈ 3000 rpm			Output at ≈ 1500 rpm			Output at ≈ 1000 rpm			Output at ≈ 750 rpm				
	P_M kW	T Nm	P_M kW	T Nm	P_M kW	T Nm	P_M kW	T Nm	P_M kW	T Nm	D mm	E mm		
80	0.75	2.5	19	0.55	3.7	19	0.37	3.9	19	0.18	2.5	19	19	40
	1.1	3.7	19	0.75	5.1	19	0.55	5.8	19	0.25	3.5	19	19	40
90S	1.5	5	19	1.1	7.5	19	0.75	8	19	0.37	5.3	19	19	40
	1.5	5	19	1.1	7.5	19	0.75	8	19	0.37	5.3	19	24	50
90L	2.2	7.4	19	1.5	10	24	1.1	12	24	0.55	7.9	24	19	40
	2.2	7.4	19	1.5	10	24	1.1	12	24	0.55	7.9	24	24	50
100L	3	9.8	24	2.2	15	24	1.5	15	24	0.75	11	24	28	60
				3	20	24	1.5	15	24	1.1	16	24	28	60
112M	4	13	24	4	27	24	2.2	22	24	1.5	21	24	28	60
132S	5.5	18	28	5.5	36	28	3	30	28	2.2	30	28	38	80
	7.5	25	28										38	80
132M				7.5	49	28	4	40	28	3	40	28	38	80
							5.5	55	28				38	80
160M	11	36	38	11	72	38	7.5	75	38	4	54	38	42	110
	15	49	38							5.5	74	38	42	110
160L	18.5	60	38	15	98	38	11	109	38	7.5	100	38	42	110
180M	22	71	38	18.5	121	38							48	110
180L				22	144	38	15	148	42	11	145	42	48	110
200L	30	97	42	30	196	42	18.5	181	42	15	198	42	55	110
	37	120	42				22	215	42				55	110
225S				37	240	48				18.5	244	48	60	140
225M	45	145	42										55	110
250M				45	292	55	30	293	55	22	290	55	60	140
	55	177	48	55	356	55	37	361	55	30	392	65	65	140
280S				75	484	65	45	438	65	37	483	65	75	140
	75	241	55										65	140
280M				90	581	75	55	535	75	45	587	75	75	140
	90	289	55										65	140
315S				110	707	75	75	727	75	55	712	75	80	170
	110	353	55										65	140
315M				132	849	75	90	873	75	75	971	75	80	170
	132	423	65										65	140
315L	160	513	65										65	140
	200	641	75										65	140
				160	1030	75	110	1070	75	90	1170	90	80	170
				200	1290	90	132	1280	90	110	1420	90	80	170
315							160	1550	90	132	1710	90	85	170
	250	802	75										65	140
	315	1010	90										65	140
355				250	1600	90	200	1930	90				85	170
	355	1140	90										75	140
	400	1280	90										75	140
400	500	1600	90										75	140
	560	1790	90										80	170

FLENDER Standard Couplings

Flexible Couplings – N-BIPEX Series

Type BWN

Selection and ordering data



Size	Rated torque	Rated torque	Rated torque	Speed	Dimensions in mm										Mass moment of inertia ¹⁾	Article No. Order codes for bore diameter and tolerances (see page 3/10)	Weight ²⁾
	T_{KN}	T_{KN}	T_{KN}		n_{max}	Bore with keyway to DIN 6885-1		DA	ND1/ND2	NL1/NL2	D3	S	S2	ΔS2			
	92 ShoreA	95 ShoreA	64 ShoreD	rpm	min ... max	D1/D2									kgm ²		kg
19	12	18	25	19500	0 ... 25	42	38	25	17	16	31	1.0	66	0.000045	2LC0160-0AA	1	0.3
24	45	65	90	14500	0 ... 35	57	50	30	25	18	37	1.5	78	0.00015	2LC0160-1AA	9	0.6
28	95	160	200	12500	0 ... 39	67	58	35	28	20	41	1.0	90	0.00033	2LC0160-2AA	1	1
38	190	325	405	10000	0 ... 48	82	68	45	36	24	45	1.5	114	0.0009	2LC0160-3AA	9	1.7
42	265	450	560	8500	0 ... 55	97	80	50	43	26	48	1.5	126	0.0019	2LC0160-4AA	1	2.6
48	330	550	700	7500	0 ... 62	107	90	56	48	28	50	2.0	140	0.0031	2LC0160-5AA	9	3.6
55	460	700	925	6500	0 ... 74	123	105	65	57	30	60	2.0	160	0.006	2LC0160-6AA	1	5.2
65	670	1000	1200	6000	0 ... 82	138	115	75	64	35	65	2.5	185	0.011	2LC0160-7AA	9	7.5
75	1400	2000	2600	5000	0 ... 96	163	135	85	76	40	75	2.5	210	0.023	2LC0160-8AA	1	11.5
90	2500	3700	4650	4000	0 ... 120	203	170	100	95	45	85	3.0	245	0.065	2LC0161-0AA	9	21.4
ØD1: • Without finished bore – Without order codes for diameter and tolerance • With finished bore – With order codes for diameter and tolerance (Article No. without "-Z")																1	
ØD2: • Without finished bore – Without order codes for diameter and tolerance • With finished bore – With order codes for diameter and tolerance (Article No. without "-Z")																1	
Cam ring: • 92 ShoreA (red) • 95 ShoreA (green) • 64 ShoreD (blue)																	-Z K01 -Z K04

Ordering example:

N-BIPEX coupling BWN, size 42,
 Part 1/2: Bore D1 42 H7 mm, with keyway to DIN 6885-1 and set screw,
 Part 1/2: Bore D2 32 H7 mm, with keyway to DIN 6885-1 and set screw.

Article No.:
2LC0160-4AA99-0AA0
LOX+M0T

The Article No. applies to standard cam rings of 92 ShoreA.

¹⁾ Mass moments of inertia apply to a coupling half with maximum bore diameter.

²⁾ Weights apply to the entire coupling in version with maximum bore.

FLENDER Standard Couplings

Flexible Couplings – N-BIPEX Series

Spare and wear parts

Selection and ordering data

Size	Article No. N-BIPEX cam ring			Weight kg
	92 ShoreA	95 ShoreA	64 ShoreD	
19	2LC0160-0WA00-0AA0	2LC0160-0WA00-0AA0-Z K01	2LC0160-0WA00-0AA0-Z K04	0.006
24	2LC0160-1WA00-0AA0	2LC0160-1WA00-0AA0-Z K01	2LC0160-1WA00-0AA0-Z K04	0.02
28	2LC0160-2WA00-0AA0	2LC0160-2WA00-0AA0-Z K01	2LC0160-2WA00-0AA0-Z K04	0.03
38	2LC0160-3WA00-0AA0	2LC0160-3WA00-0AA0-Z K01	2LC0160-3WA00-0AA0-Z K04	0.04
42	2LC0160-4WA00-0AA0	2LC0160-4WA00-0AA0-Z K01	2LC0160-4WA00-0AA0-Z K04	0.07
48	2LC0160-5WA00-0AA0	2LC0160-5WA00-0AA0-Z K01	2LC0160-5WA00-0AA0-Z K04	0.09
55	2LC0160-6WA00-0AA0	2LC0160-6WA00-0AA0-Z K01	2LC0160-6WA00-0AA0-Z K04	0.1
65	2LC0160-7WA00-0AA0	2LC0160-7WA00-0AA0-Z K01	2LC0160-7WA00-0AA0-Z K04	0.2
75	2LC0160-8WA00-0AA0	2LC0160-8WA00-0AA0-Z K01	2LC0160-8WA00-0AA0-Z K04	0.4
90	2LC0161-0WA00-0AA0	2LC0161-0WA00-0AA0-Z K01	2LC0161-0WA00-0AA0-Z K04	0.6

The cam rings of the N-BIPEX coupling are wear parts.
The service life depends on the operating conditions.

FLENDER Standard Couplings

Flexible Couplings – N-BIPEX Series

Notes

Highly Flexible Couplings ELPEX-B Series



10/2	Overview
10/2	Benefits
10/2	Application
10/2	Design
10/4	Technical data
10/5	Type EBWN
10/5	Selection and ordering data
10/6	Type EBWT
10/6	Selection and ordering data
10/8	Type EBWZ
10/8	Selection and ordering data
10/10	Spare and wear parts
10/10	Selection and ordering data

FLENDER Standard Couplings

Highly Flexible Couplings – ELPEX-B Series

General information

Overview



ELPEX-B couplings are highly flexible and free of torsional backlash. Because of their low torsional stiffness and damping capacity, ELPEX-B couplings are especially suitable for coupling machines with a highly non uniform torque pattern. ELPEX-B couplings are also suitable for connecting machines with high shaft misalignment.

Standard ELPEX-B coupling types are designed as shaft-shaft connections. Application-related types can be manufactured on request.

Benefits

The ELPEX-B coupling is suitable for horizontal and vertical mounting positions or mounting positions at any required angle.

The elastic tire is slit at the circumference and can be changed without having to move the coupled machines.

The elastic tire is fitted without backlash and gives the coupling linear torsional stiffness, thus the torsional rigidity remains constant as the load on the coupling increases.

The ELPEX-B coupling is especially suitable for reversing operation or operation with changing directions of load.

The coupling parts can be arranged as required on the shaft ends to be connected.

If the elastic tire is irreparably damaged or worn, the metal parts can rotate freely against one another because they are not in contact with one another.

Application

The ELPEX-B coupling is available as a catalog standard in 15 sizes with a rated torque of between 24 Nm and 14500 Nm. The coupling can be fitted with elastic tires made of natural rubber for ambient temperatures of -50 °C to +50 °C and with elastic

tires made of chloroprene rubber for -15 °C to +70 °C. The chloroprene rubber tire is marked FRAS, "Fire-resistant and Anti-static".

Design

The ELPEX-B coupling's transmission characteristic is determined essentially by the elastic tire. The elastic tire is manufactured from a natural rubber or a chloroprene rubber mixture with a multiply fabric insert. The elastic tire is fastened to the hubs with bolts and two clamping rings.

In type EBWT, the shaft-hub connection is achieved with Taper clamping bushes, in type EBWN with finish-drilled hubs and parallel keys. The type EBWZ connects the machine shafts additionally via a detachable adapter.

Materials

Metal part materials

EN-GJL-250 grey cast iron or steel.

Elastic tire material

Material	Hardness	Identification	Ambient temperature
Natural rubber	70 ShoreA	048	-50 °C ... +50 °C
Chloroprene rubber	70 ShoreA	068 FRAS	-15 °C ... +70 °C

FLENDER Standard Couplings

Highly Flexible Couplings – ELPEX-B Series

General information

ELPEX-B coupling types

Type	Description
EBWN	Coupling as a shaft-shaft connection with drilled and grooved hubs
EBWT	Coupling as a shaft-shaft connection with Taper clamping bushes
EBWZ	Coupling as shaft-shaft connection with detachable adapter

Further application-specific coupling types are available; dimension sheets for and information on these are available on request.

The coupling types set up for shaft-hub connections with Taper clamping bushes are designated as follows:

- Variant A: Coupling with part 3 – part 3
- Variant B: Coupling with part 4 – part 4
- Variant AB: Coupling with part 3 – part 4

In the case of part 3, the Taper clamping bush is screwed in from the shaft end face side. The coupling half must be fitted before the machines to be connected are pushed together.

In the case of part 4, the Taper clamping bush is screwed in from the machine-housing side. If there is insufficient room, the Taper clamping bushes cannot be fitted from this side. Besides fitting space for the Taper clamping bush bolts, space for the fitting tool (offset screwdriver) must be taken into account.

In the case of coupling type EBWT, part 3 and part 4 can be combined as required. Furthermore, the variant with a Taper clamping bush can be combined with the finish-drilled hub.



Unfitted coupling

The elastic tire can simply be slipped over the hub parts. The elastic tire is held firmly in place by fitting the clamping ring. The connection transmits the torque by frictional engagement.



Fitted coupling, shown without connecting shafts.



Fitted elastic tire

FLENDER Standard Couplings

Highly Flexible Couplings – ELPEX-B Series

General information

Technical data

Power ratings

Size	Rated torque	Maximum torque	Overload torque	Fatigue torque	Maximum speed	Dynamic torsional stiffness for 100 % load	Permitted shaft misalignment at speed $n = 1500 \text{ rpm}^{1)}$		
	T_{KN} Nm	T_{Kmax} Nm	T_{KOL} Nm	T_{KW} Nm	n_{Kmax} rpm	C_{Tdyn} Nm/rad	ΔK_a mm	ΔK_r mm	Angle ΔK_w Degrees
105	24	48	72	7	4500	285	1.3	1.1	4
135	66	132	200	20	4500	745	1.7	1.3	4
165	125	250	375	38	4000	1500	2.0	1.6	4
190	250	500	750	75	3600	2350	2.3	1.9	4
210	380	760	1140	114	3100	3600	2.6	2.1	4
235	500	1000	1500	150	3000	5200	3.0	2.4	4
255	680	1360	2040	204	2600	7200	3.3	2.6	4
280	880	1760	2640	264	2300	10000	3.7	2.9	4
315	1350	2700	4050	405	2050	17000	4.0	3.2	4
360	2350	4700	7050	705	1800	28000	4.6	3.7	4
400	3800	7600	11400	1140	1600	44500	5.3	4.2	4
470	6300	12600	18900	1890	1500	78500	6.0	4.8	4
510	9300	18600	27900	2790	1300	110000	6.6	5.3	4
560	11500	23000	34500	3450	1100	160000	7.3	5.8	4
630	14500	29000	43500	4350	1000	200000	8.2	6.6	4

Torsional stiffness and damping

The damping coefficient is $\Psi = 0.9$

The technical data for the elastic tires made of natural rubber and chloroprene rubber are virtually identical.

Torsional stiffness depends on the ambient temperature and the frequency and amplitude of the torsional vibration excitation. More precise torsional stiffness and damping parameters on request.

With elastic couplings the manufacturing process of the rubber elements and their aging primarily influence the rigidity value C_{Tdyn} . For this reason calculation must be made with a tolerance for the dynamic rigidity of $\pm 20\%$. The specified damping coefficient Ψ is a minimum value with the result that the damping performance of the coupling corresponds at least to the specified value.

Permitted shaft misalignment

The permitted shaft misalignment depends on the operating speed. As the speed increases, lower shaft misalignment values are permitted. The correction factors for different speeds are specified in the following table.

The maximum speed for the respective coupling size must be observed!

$$\Delta K_{perm} = \Delta K_{1500} \cdot FKV$$

	Speed in rpm			
	500	1000	1500	3000
Correction factor FKV	1.2	1.1	1.0	0.7

The restorative force (including in the axial direction) depends on speed, system torque and shaft misalignment. Restorative forces on request.

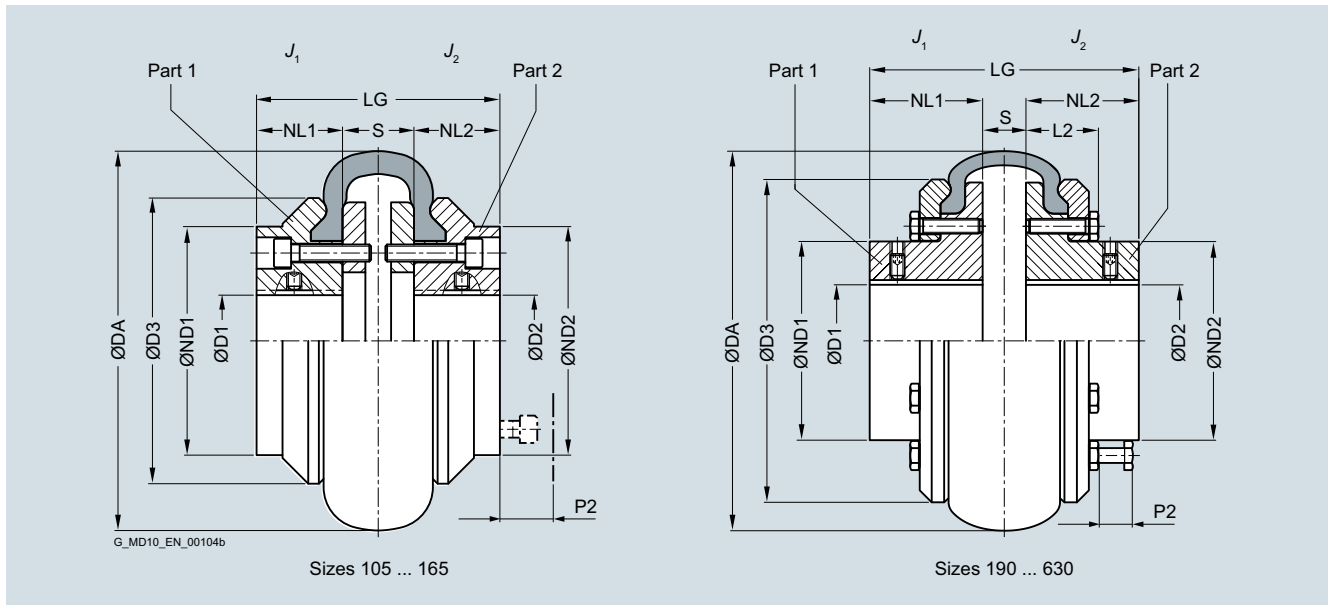
¹⁾ The maximum speed of the respective type must be noted. For further information on permissible shaft misalignment, please see the operating instructions.

FLENDER Standard Couplings

Highly Flexible Couplings – ELPEX-B Series

Type EBWN

Selection and ordering data



Size	Rated torque T_{KN} Nm	Dimensions in mm										Mass moment of inertia J_1/J_2 kgm ²	Article No. Order codes for bore diameters and tolerances are specified in catalog section 3	Weight m kg
		Bore with keyway to DIN 6885-1 D1, D2		DA	ND1 ND2	NL1 NL2	D3	L2	S	LG	P2			
		min.	max.											
105	24	–	30	104	70	30	82	–	22	82	35	0.0011	2LC0210-0AA ■■ -0AA0	2.2
135	66	–	38	134	80	40	100	–	25	105	35	0.0025	2LC0210-1AA ■■ -0AA0	3.6
165	125	–	45	165	70	50	125	–	33	133	35	0.0056	2LC0210-2AA ■■ -0AA0	5.4
190	250	–	50	187	80	55	145	36	23	133	35	0.0095	2LC0210-3AA ■■ -0AA0	6.9
210	380	–	60	211	98	65	168	40	25	155	35	0.020	2LC0210-4AA ■■ -0AA0	11
235	500	–	70	235	111	70	188	45	27	167	35	0.023	2LC0210-5AA ■■ -0AA0	14.8
255	680	–	80	254	130	75	216	44	27	177	35	0.060	2LC0210-6AA ■■ -0AA0	20
280	880	–	90	280	145	80	233	45	25	185	35	0.083	2LC0210-7AA ■■ -0AA0	24.5
315	1350	–	95	314	155	90	264	50	29	209	35	0.129	2LC0210-8AA ■■ -0AA0	35
360	2350	–	125	359	200	100	311	50	32	232	35	0.32	2LC0211-0AA ■■ -0AA0	54
		–	140	380	216	125	345	59	30	280	35	0.55	2LC0211-1AA ■■ -0AA0	78
400	3800	–	135	402	216	125	345	59	30	280	35	0.55	2LC0211-1AA ■■ -0AA0	78
		–	140	420	225	140	398	67	46	326	35	1.12	2LC0211-2AA ■■ -0AA0	120
510	9300	–	140	508	250	150	429	73	48	348	35	1.6	2LC0211-3AA ■■ -0AA0	146
		–	180	562	290	165	474	82	55	385	35	1.7	2LC0211-3AA ■■ -0AA0	154
560	11500	–	140	562	250	165	474	82	55	385	35	2.5	2LC0211-4AA ■■ -0AA0	200
		–	180	629	300	195	532	82	59	449	35	2.7	2LC0211-4AA ■■ -0AA0	206
630	14500	80	140	629	250	195	532	82	59	449	35	4.1	2LC0211-5AA ■■ -0AA0	258
		140	180	700	300	230	600	82	63	511	35	4.4	2LC0211-5AA ■■ -0AA0	265

- ØD1:
- Without finished bore – Without order codes
 - Without finished bore from size 510 for 2nd diameter range D1 – Without order codes
 - With finished bore – With order codes for diameter and tolerance (article number without "-Z")
- ØD2:
- Without finished bore – Without order codes
 - Without finished bore from size 510 for 2nd diameter range D2 – Without order codes
 - With finished bore – With order codes for diameter and tolerance (article number without "-Z")

Weight and mass moments of inertia apply to maximum bore diameters.

The article number applies to elastic tires made of natural rubber.

Article number with "-Z" and order code "K01" for variant of the elastic tire made of chloroprene rubber.

P2 = fitting space for dismounting the elastic tire.

Ordering example:

ELPEX-B EBWN coupling, size 210,
Part 1: Bore 40H7 mm, keyway to DIN 6885-1 and set screw,
Part 2: Bore 45H7 mm, keyway to DIN 6885-1 and set screw.

Article No.:
2LC0210-4AA99-0AA0
LOW+M1A

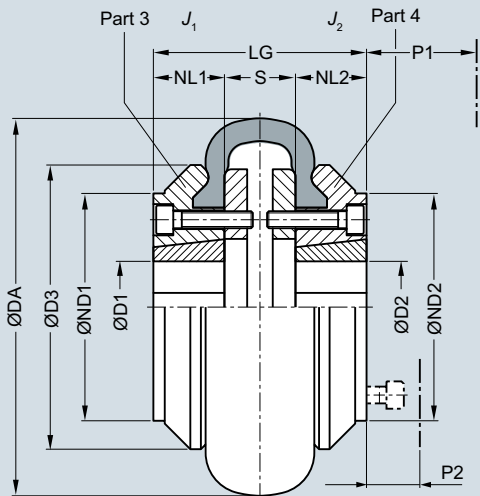
FLENDER Standard Couplings

Highly Flexible Couplings – ELPEX-B Series

Type EBWT

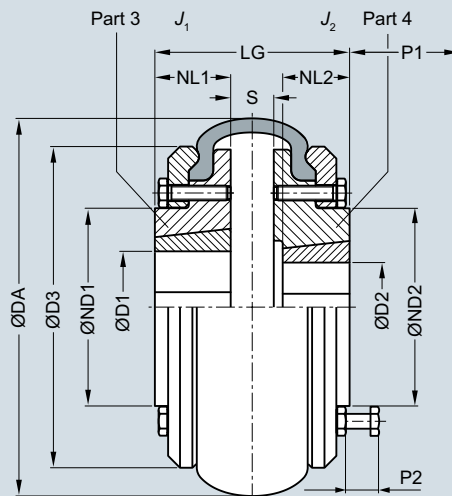
Selection and ordering data

Sizes 105 ... 165



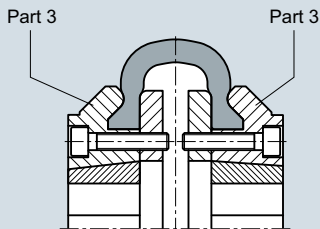
Variant AB

Sizes 190 ... 560

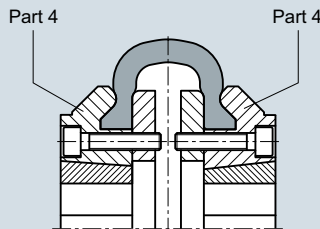


Variant AB

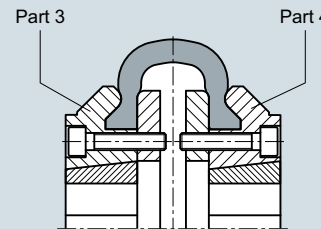
Sizes 105 ... 165



Variant A

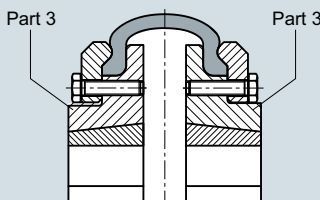


Variant B

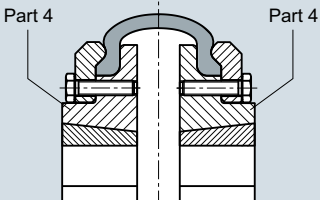


Variant AB

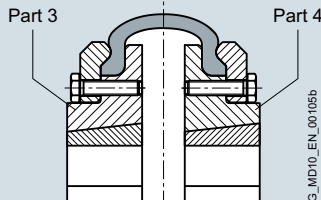
Sizes 190 ... 560



Variant A



Variant B



Variant AB

G_MD10_EN_001055b

Part 3: Screw connection for Taper clamping bush from the shaft end face side
 Part 4: Screw connection for Taper clamping bush from the machine-housing side

10

FLENDER Standard Couplings

Highly Flexible Couplings – ELPEX-B Series

Type EBWT

Size	Rated torque T_{KN} Nm	Part no.	Taper clamping bush Size	Dimensions in mm										Mass moment of inertia J_1/J_2 kgm ²	Article No. Order codes for bore diameters and tolerances are specified in catalog section 3	Weight m kg
				Bore with keyway to DIN 6885-1		DA	ND1/ND2	NL1/NL2	D3	S	LG	P1	P2			
				min.	max.											
105	24	3	1008	10	25 ¹⁾	104	–	22	82	22	66	29	35	0.0009	2LC0210-0A ■■■■-0AA0	1.8
		4														
135	66	3	1210	11	32	134	80	25	100	25	75	38	35	0.0019	2LC0210-1A ■■■■-0AA0	2.4
		4														
165	125	3	1610	14	42 ¹⁾	165	103	25	125	33	83	38	35	0.0049	2LC0210-2A ■■■■-0AA0	4
		4														
190	250	3	2012	14	50	187	80	32	145	23	87	42	35	0.0085	2LC0210-3A ■■■■-0AA0	5.4
		4	1610													
210	380	3	2517	16	60	211	98	45	168	25	115	48	35	0.017	2LC0210-4A ■■■■-0AA0	8
		4	2012													
235	500	3	2517	16	60	235	108	45	188	27	119	48	35	0.019	2LC0210-5A ■■■■-0AA0	12
		4														
255	680	3	3020	25	75	254	120	51	216	27	129	55	35	0.050	2LC0210-6A ■■■■-0AA0	14
		4	2517													
280	880	3	3020	25	75	280	134	51	233	25	129	55	35	0.075	2LC0210-7A ■■■■-0AA0	22
		4														
315	1350	3	3525	35	100 ¹⁾	314	140	65	264	29	161	67	35	0.11	2LC0210-8A ■■■■-0AA0	23
		4	3020													
360	2350	3	3525	35	100 ¹⁾	359	178	65	311	32	162	67	35	0.26	2LC0211-0A ■■■■-0AA0	38
		4														
400	3800	3	4030	40	115 ¹⁾	402	200	77	345	30	184	80	53	0.44	2LC0211-1A ■■■■-0AA0	54
		4														
470	6300	3	4535	55	125	470	210	89	398	46	224	89	35	0.8	2LC0211-2A ■■■■-0AA0	72
		4														
510	9300	3	4535	55	125	508	208	89	429	48	226	89	35	1.5	2LC0211-3A ■■■■-0AA0	120
		4														
560	11500	3	5040	70	125	562	224	102	474	55	259	92	35	2.0	2LC0211-4A ■■■■-0AA0	120
		4														

Variant: • A
• B
• AB

∅D1: • Without finished bore – Without order codes
• With finished bore – With order codes for diameter and tolerance (article number without "-Z")

∅D2: • Without finished bore – Without order codes
• With finished bore – With order codes for diameter and tolerance (article number without "-Z")

B
C
D
1
9
1
9

Weights and mass moments of inertia apply to couplings with Taper clamping bushes with maximum bore diameter.

The article number applies to elastic tires made of natural rubber.

Article number with "-Z" and order code "K01" for variant of the elastic tire made of chloroprene rubber.

P1 = fitting space for offset screwdriver and ejector bolt for dismounting the Taper clamping bush.

P2 = fitting space for dismounting the elastic tire.

Ordering example:

ELPEX-B EBWT coupling, size 210, variant AB, including Taper bushes, Part 3: with Taper clamping bush, bore 60 mm; Part 4: with Taper clamping bush, bore 40 mm.

Article No.:
2LC0210-4AD99-0AA0
L1E+MOW

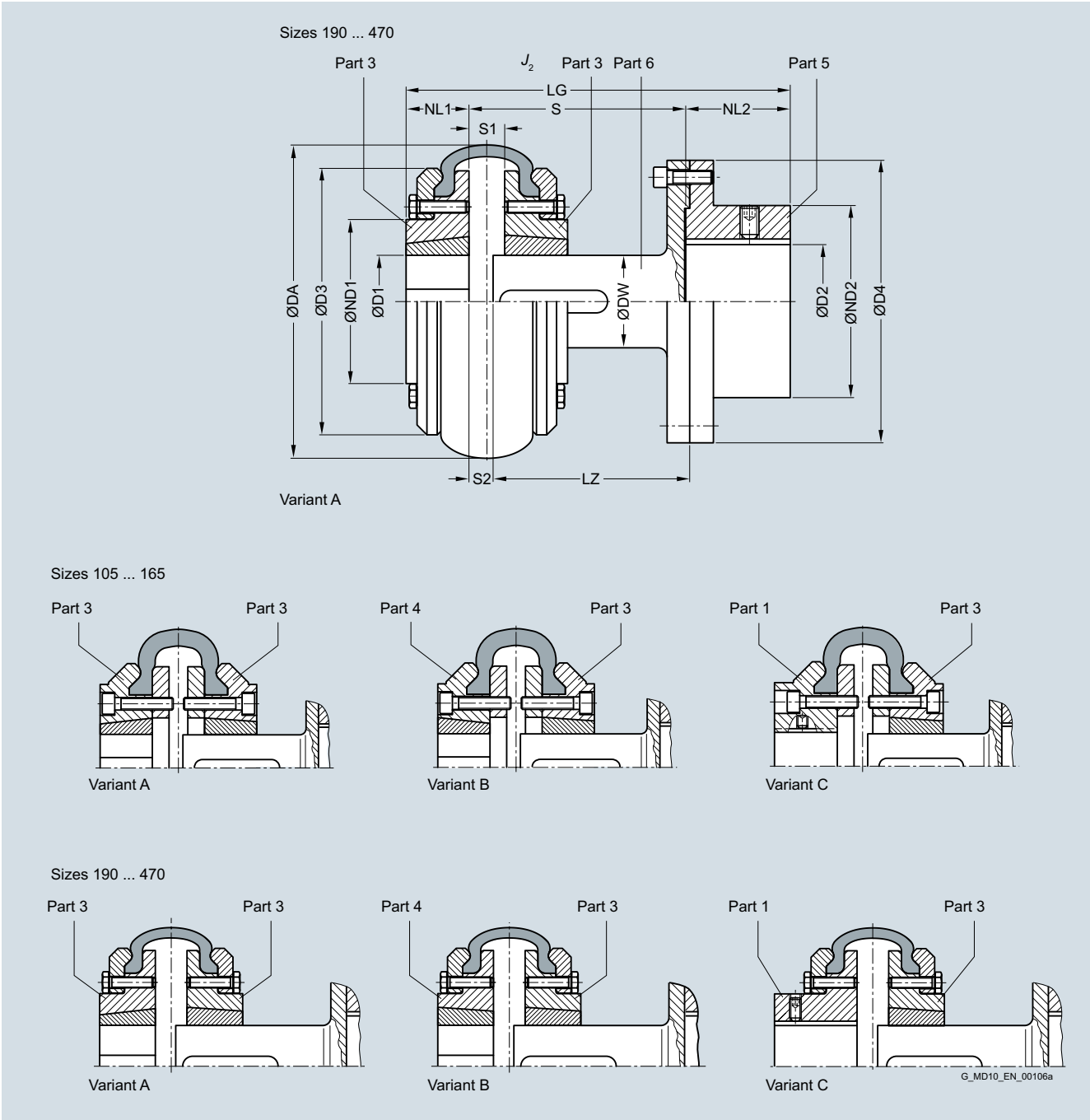
¹⁾ Maximum bore with shallow keyway, see catalog section 14.

FLENDER Standard Couplings

Highly Flexible Couplings – ELPEX-B Series

Type EBWZ

Selection and ordering data



Part 3: Screw connection for Taper clamping bush from the shaft end face side
 Part 4: Screw connection for Taper clamping bush from the machine-housing side

10

FLENDER Standard Couplings

Highly Flexible Couplings – ELPEX-B Series

Type EBWZ

Size	Rated torque T_{KN} Nm	Dimensions in mm											Mass moment of inertia J_2 kgm ²	Article No. Order codes for bore diameters and tolerances are specified in catalog section 3	Weight m kg			
		Bore with keyway to DIN 6885-1		DA	ND2	D4	DW	NL2	LZ	S	S1	S2						
		D2 min.	D2 max.							min.	max.	min.						
105	24	–	42	104	70	95	25	45	96	100	116	22	6	0.0027	2LC0210-0A	■ ■ ■ ■ -0A	■ 0	3.3
									133	140	156							
135	66	–	55	134	90	125	32	50	93	100	116	25	9	0.0085	2LC0210-1A	■ ■ ■ ■ -0A	■ 0	5.4
									133	140	156							
165	125	–	55	165	90	125	32	50	93	100	124	33	9	0.012	2LC0210-2A	■ ■ ■ ■ -0A	■ 0	6.2
									133	140	164							
190	250	–	75	187	125	180	48	80	93.5	100	114	23	9	0.046	2LC0210-3A	■ ■ ■ ■ -0A	■ 0	16.0
									133.5	140	154							
									173.5	180	194							
210	380	–	75	211	125	180	48	80	133.5	140	156	25	9	0.053	2LC0210-4A	■ ■ ■ ■ -0A	■ 0	17
									173.5	180	196							
235	500	–	75	235	125	180	48	80	133.5	140	158	27	9	0.056	2LC0210-5A	■ ■ ■ ■ -0A	■ 0	25
									173.5	180	198							
255	680	–	90	254	150	225	60	100	133.5	140	158	27	9	0.15	2LC0210-6A	■ ■ ■ ■ -0A	■ 0	29
									173.5	180	198							
280	880	–	90	280	150	225	60	100	133.5	140	156	25	9	0.17	2LC0210-7A	■ ■ ■ ■ -0A	■ 0	33
									173.5	180	196							
315	1350	46	100	314	165	250	80	110	134.5	140	160	29	9	0.28	2LC0210-8A	■ ■ ■ ■ -0A	■ 0	40
									174.5	180	200							
360	2350	46	100	359	165	250	80	110	134.5	140	163	32	9	0.43	2LC0211-0A	■ ■ ■ ■ -0A	■ 0	48
									174.5	180	203							
400	3800	51	110	402	180	280	90	120	223.5	230	250	30	10	0.88	2LC0211-1A	■ ■ ■ ■ -0A	E 0	73
470	6300	51	120	470	200	315	100	140	207.5	214	250	46	10	0.97	2LC0211-2A	■ ■ ■ ■ -0A	E 0	104

Variant:

- A
- B
- C

ØD1:

- Without finished bore (for variant C only) – Without order codes
- With finished bore/Taper clamping bush – With order codes for diameter and tolerance in the case of finished bore (article number without "-Z")

ØD2:

- Without finished bore – Without order codes
- With finished bore – With order codes for diameter and tolerance (article number without "-Z")

S min.

- 100 mm
- 140 mm
- 180 mm

G
H
J
1
9
1
9
A
B
C

Dimensions D1, ND1, NL1, J1 and fitting space for dismounting elastic tire and Taper clamping bush, see types EBWN or EBWT.

The article number applies to elastic tires made of natural rubber.

Article number with "-Z" and order code "K01" for variant of the elastic tire made of chloroprene rubber.

Mass moment of inertia J_2 and weight m as total of part 3, part 5 and part 6 with maximum bore diameter.

Ordering example:

ELPEX-B EBWZ coupling, size 360,
variant C, for fitting length S min. = 190 mm,
Part 1: Bore 65H7 mm, keyway to DIN 6885-1 and set screw,
Part 5: Bore 70H7 mm, keyway to DIN 6885-1 and set screw

Article No.:

2LC0211-0AJ99-0AC0
L1F+M1G

FLENDER Standard Couplings

Highly Flexible Couplings – ELPEX-B Series

Spare and wear parts

Selection and ordering data

The elastic tires are wear parts. The service life depends on the operating conditions.

Size	Article No.		Weight	
	Natural rubber Identification 048	kg	Chloroprene rubber Identification 068 FRAS	kg
105	2LC0210-0WA00-0AA0	0.1	2LC0210-0WA00-0AA0-Z K01	0.1
135	2LC0210-1WA00-0AA0	0.2	2LC0210-1WA00-0AA0-Z K01	0.2
165	2LC0210-2WA00-0AA0	0.4	2LC0210-2WA00-0AA0-Z K01	0.4
190	2LC0210-3WA00-0AA0	0.5	2LC0210-3WA00-0AA0-Z K01	0.5
210	2LC0210-4WA00-0AA0	0.8	2LC0210-4WA00-0AA0-Z K01	0.8
235	2LC0210-5WA00-0AA0	1.0	2LC0210-5WA00-0AA0-Z K01	1.0
255	2LC0210-6WA00-0AA0	1.2	2LC0210-6WA00-0AA0-Z K01	1.2
280	2LC0210-7WA00-0AA0	1.4	2LC0210-7WA00-0AA0-Z K01	1.4
315	2LC0210-8WA00-0AA0	2.6	2LC0210-8WA00-0AA0-Z K01	2.6
360	2LC0211-0WA00-0AA0	2.9	2LC0211-0WA00-0AA0-Z K01	2.9
400	2LC0211-1WA00-0AA0	3.1	2LC0211-1WA00-0AA0-Z K01	3.1
470	2LC0211-2WA00-0AA0	5.3	2LC0211-2WA00-0AA0-Z K01	5.3
510	2LC0211-3WA00-0AA0	7.8	2LC0211-3WA00-0AA0-Z K01	7.8
560	2LC0211-4WA00-0AA0	10.8	2LC0211-4WA00-0AA0-Z K01	10.8
630	2LC0211-5WA00-0AA0	12.4	2LC0211-5WA00-0AA0-Z K01	12.4

Highly Flexible Couplings ELPEX-S Series



11/2	Overview
11/2	Benefits
11/2	Application
11/2	Design
11/4	Function
11/4	Configuration
11/6	Technical data
11/9	Type ESN
11/9	Selection and ordering data
11/10	Type ESD
11/10	Selection and ordering data
11/11	Type ESNR
11/11	Selection and ordering data
11/12	Type ESDR
11/12	Selection and ordering data
11/13	Types ESNW and ESDW
11/13	Selection and ordering data
11/14	Type EST
11/14	Selection and ordering data
11/15	Spare and wear parts
11/15	Selection and ordering data

FLENDER Standard Couplings

Highly Flexible Couplings – ELPEX-S Series

General information

Overview



Coupling suitable for use in potentially explosive atmospheres.

Complies with the current ATEX Directive for:

CE Ex II 2 G T3 D160 °C X

CE Ex II 2 G T4 D120 °C X

(Type EST is not available in Ex version.)

ELPEX-S couplings are highly torsionally flexible and because of their low torsional stiffness and damping capacity are especially suitable for coupling machines with a highly non uniform torque pattern.

Standard ELPEX-S coupling types are designed as flange-shaft-connections or shaft-shaft connections. Application-related types can be implemented on request.

Benefits

The ELPEX-S coupling is suitable for horizontal and vertical mounting positions or mounting at any required angle. The coupling parts can be arranged as required on the shafts to be connected.

ELPEX-S couplings are especially suitable for reversing operation or operation with changing directions of load.

The rubber disk elements are fitted virtually without backlash and give the coupling linear torsional stiffness, i.e. the torsion stiffness remains constant even when the load on the coupling increases.

There are 4 different rubber element versions with different grades of torsional stiffness available for each size from stock.

On certain types the flexible rings can be changed without having to move the coupled machines.

If substantial overload occurs, the rubber disk element of the coupling is irreparably damaged, the coupling throws the load and thus limits the overload for particular operating conditions. The coupling can be inserted and fitted blind e.g. in a bell housing.

There are outer flanges with different connection dimensions available for each coupling size.

Application

The ELPEX-S coupling is available as a catalog standard in 12 sizes with rated torques of between 330 Nm and 63000 Nm.

The coupling is suitable for ambient temperatures of between -40 °C and +120 °C.

The ELPEX-S coupling is frequently used for diesel motor drives or reciprocating compressor drives. Because the different rubber versions enable the torsional stiffness to be adjusted to meet requirements, the coupling is also suitable for drives which require a specific and preferably precalculated torsional vibration behavior setting.

Design

The rubber disk element is vulcanized onto a flange on the inside diameter. The flange can mount e.g. a Taper clamping bush or a hub. On its outer diameter the rubber disk element has driving teeth, which are inserted into the outer flange. The torque is transmitted positively between the rubber disk element and the outer flange.

In the type for shaft-shaft connection the outer flange is screwed to a flange hub mounted on a machine shaft.

Materials

	Type EST	Types ESN. and ESD.
Rubber disk element	Grey cast iron EN-GJL-250/elastomer	Spheroidal graphite cast iron EN-GJL-400/elastomer
Hubs, part 1, part 2	Steel	Steel
Outer flange	Cast aluminum AlZnSi108.. Sizes 680 and 770 of spheroidal graphite cast iron EN-GJS-500	Cast aluminum AlZnSi108.. Sizes 680 and 770 of spheroidal graphite cast iron EN-GJS-500

Elastomer materials of the rubber disk element

Material / description	Hardness ShoreA	Identification	Ambient temperature
Natural-synthetic rubber mixture	50 ° ... 55 °	WN	-40 °C ... +80 °C
Natural-synthetic rubber mixture	60 ° ... 65 °	NN	-40 °C ... +80 °C
Natural-synthetic rubber mixture	70 ° ... 75 °	SN	-40 °C ... +80 °C
Silicone rubber	55 ° ... 65 °	NX	-40 °C ... +120 °C

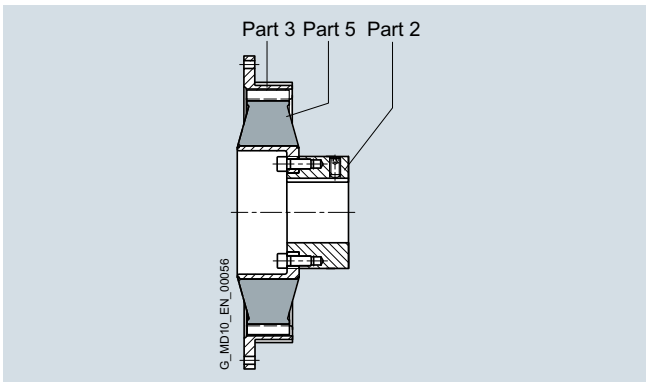
ELPEX-S coupling types

Type	Description
ESN	Coupling with hub, long or short version
ESD	Coupling with hub, with two rubber disk elements
ESNR	Coupling with hub, rubber disk element radially dismountable
ESDR	Coupling with hub with two rubber disk elements; rubber disk elements radially dismountable
ESNW	Coupling designed as a shaft-shaft connection with a rubber disk element; rubber disk element radially dismountable
ESDW	Coupling designed as a shaft-shaft connection with two rubber disk elements; rubber disk element radially dismountable
EST	Coupling suitable for mounting a Taper clamping bush

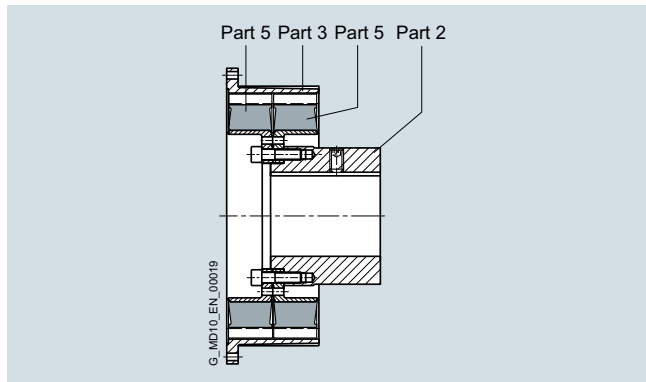
FLENDER Standard Couplings

Highly Flexible Couplings – ELPEX-S Series

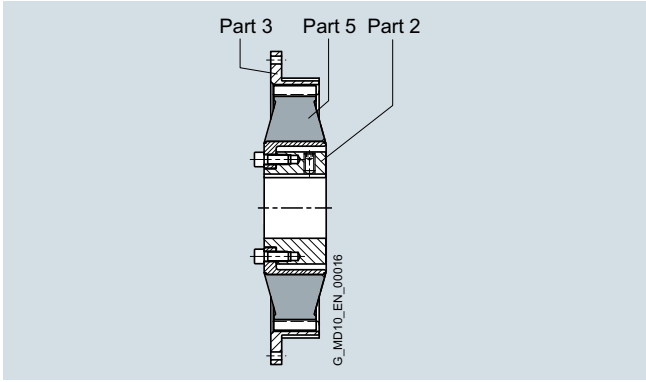
General information



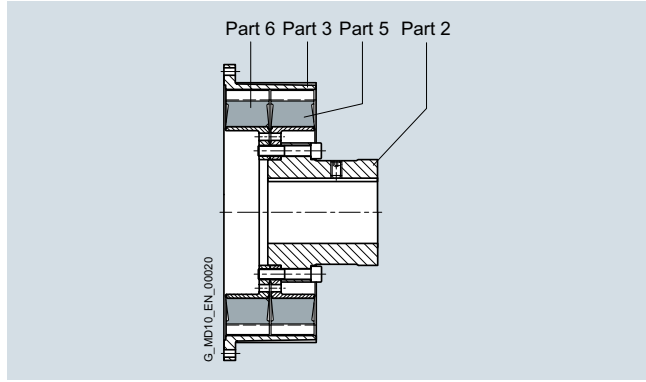
Type **ESN** – long version



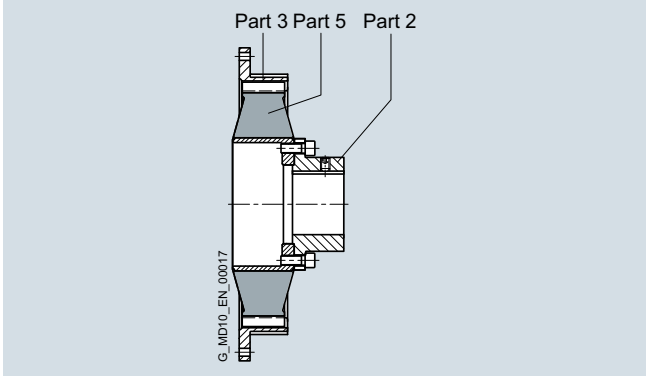
Type **ESD**



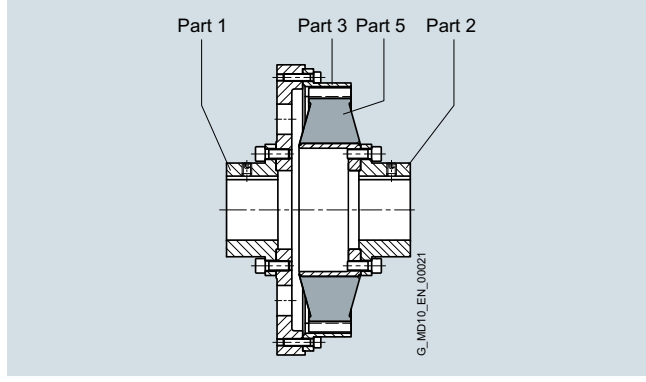
Type **ESN** – short version



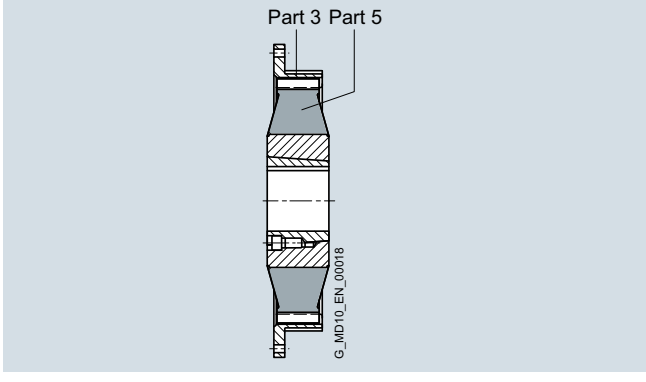
Type **ESDR**



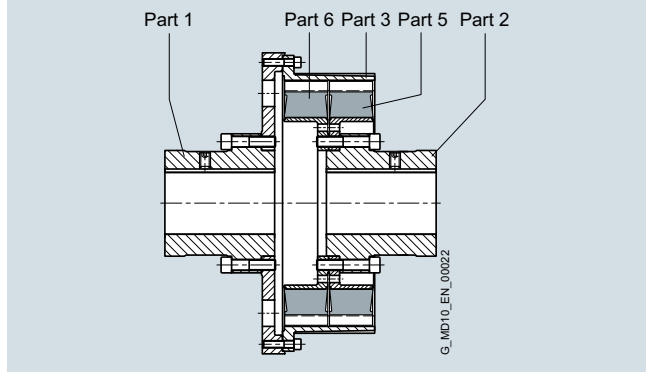
Type **ESNR**



Type **ESNW**



Type **EST**



Type **ESDW**

FLENDER Standard Couplings

Highly Flexible Couplings – ELPEX-S Series

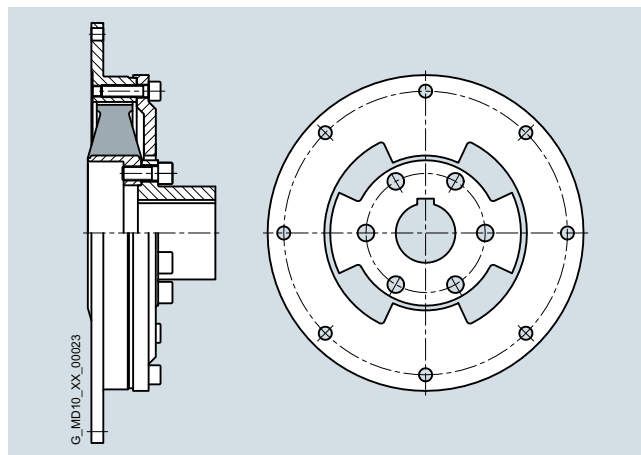
General information

Further application-related coupling types are available. Dimension sheets for and information on these are available on request.

The following versions have already been implemented a number of times:

- ELPEX-S coupling with brake drum, brake disk or flywheel mass
- ELPEX-S coupling with axial backlash limiter
- ELPEX-S coupling with adapter
- ELPEX-S coupling with bearing for mounting a cardan shaft
- ELPEX-S coupling for engaging/disengaging during standstill
- ELPEX-S coupling as part of a coupling combination
- ELPEX-S coupling with fail-safe device

Fail-safe device of ELPEX-S coupling



The ELPEX-S coupling can also be designed with a fail-safe device. If the rubber disk element fails, the coupling can continue operating in emergency mode for a short time. This option is frequently required e.g. in the case of marine drives.

If the rubber disk element fails, cams transmit the torque from the inner and outer parts of the fail-safe device.

In normal operation the torsion angle of the rubber disk element is smaller than the gap between the cams, so there is no metal-metal contact.

Function

The ELPEX-S coupling's transmission characteristic is determined essentially by the rubber disk element. The torque is transmitted positively between the rubber disk element and the outer flange. The outer flange can be bolted to e.g. a diesel motor or compressor flywheel.

Configuration

Coupling selection

The ELPEX-S coupling is especially suitable for rough operating environments. An application factor lower than that in catalog section 3 is therefore sufficient for all applications. In the case of machines which excite torsional vibration, Siemens urgently recommends carrying out a torsional vibration calculation or measuring the coupling load occurring in the drive.

Coupling load in continuous operation

Application factor FB	Torque characteristic of the driven machine		
	uniform with moderate shock loads	non uniform	very rough
Electric motors, hydraulic motors, gas and water turbines	1.0	1.3	1.4
Internal combustion engines	1.3	1.4	1.6

Examples of torque characteristic in driven machines:

- uniform with moderate shock loads: generators, fans, blowers
- non uniform: reciprocating compressors, mixers, conveyor systems
- very rough: crushers, excavators, presses, mills

Coupling	Temperature factor FT	Rubber version	Elastomer material	Temperature T_a on the coupling									
				-40 to -30 °C	-30 to +50 °C	to 60 °C	to 70 °C	to 80 °C	to 90 °C	to 100 °C	to 110 °C	to 120 °C	
ELPEX-S		SN, NN, WN	NR	1.1	1.0	1.25	1.40	1.60					
ELPEX-S		NX	VMQ	1.1	1.0	1.0	1.0	1.0	1.1	1.25	1.4	1.6	

NR = natural-synthetic rubber mixture
VMQ = silicone rubber

Select coupling size with: $T_{KN} \geq T_N \cdot FB \cdot FT$

FLENDER Standard Couplings

Highly Flexible Couplings – ELPEX-S Series

General information

Coupling load under maximum and overload conditions

The maximum torque is the highest load acting on the coupling in normal operation.

Maximum torques at a frequency of up to 25 times an hour are permitted and must be lower than the maximum coupling torque. Examples of maximum torque conditions are: Starting operations, stopping operations or usual operating conditions with maximum load.

$$T_{Kmax} \geq T_{max} \cdot FT$$

Overload torques are maximum loads which occur only in combination with special, infrequent operating conditions.

Examples of overload torque conditions are: Motor short circuit, emergency stop or blocking because of component breakage. Overload torques at a frequency of once a month are permitted and must be lower than the maximum overload torque of the coupling. The overload condition may last only a short while, i.e. fractions of a second.

$$T_{KOL} \geq T_{OL} \cdot FT$$

Coupling load due to dynamic torque load

Applying the frequency factor FF, the dynamic torque load must be lower than the coupling fatigue torque.

Dynamic torque load

$$T_{KW} \geq T_W \cdot FT \cdot FF \cdot \frac{0.6}{FB - 1.0}$$

Frequency of the dynamic torque load


$f_{err} \leq 10$ Hz frequency factor $FF = 1.0$

Frequency of the dynamic torque load


$f_{err} > 10$ Hz frequency factor $FF = \sqrt{(f_{err}/10 \text{ Hz})}$


 Operation in potentially explosive environments is subject to the following restriction:

Operation with low fatigue load

 The fatigue torque T_{KW} must be reduced by 70 %. In these particular operating conditions the coupling satisfies the requirements of temperature class T4 D120 °C.

Operation with medium fatigue load

 The fatigue torque T_{KW} must be reduced by 50 %. In these particular operating conditions the coupling satisfies the requirements of temperature class T3 D160 °C.

 Type EST is not permitted for application in potentially explosive environments.

Checking the maximum speed

The following must apply to all load situations: $n_{Kmax} \geq n_{max}$

The maximum speed of a size depends only on the size of the outer flange (part 3).

Checking permitted shaft misalignment and restorative forces

For all load situations, the actual shaft misalignment must be less than the permitted shaft misalignment.

Checking bore diameter, mounting geometry and coupling design

The check must be made on the basis of the dimension tables. On request, couplings with adapted geometry can be provided.

Checking shaft-hub connection

Please refer to catalog section 3 for instructions.

Checking temperature and chemically aggressive environment

The permitted coupling temperature is specified in the Temperature Factor FT table. In the case of chemically aggressive environments, please consult the manufacturer.

FLENDER Standard Couplings

Highly Flexible Couplings – ELPEX-S Series

General information

Technical data

Power ratings

Rubber disk elements made of a natural and synthetic rubber mixture									
Type	Size	Rubber element	Rated torque	Maximum torque	Overload torque	Fatigue torque	Dynamic torsional stiffness	Motor flange	Maximum speed
			T_{KN} Nm	T_{Kmax} Nm	T_{KOL} Nm	T_{KW} Nm	C_{Tdyn} Nm/rad	SAE J620d Size	n_{max} rpm
ESN . EST	220	WN	330	660	750	165	1100	6.5	4200
		NN	360	720	900	180	1700	7.5	4200
		SN	400	800	1000	200	2500	8 10	4200 3600
ESN . EST	265	WN	500	1000	1250	250	2100	8	4200
		NN	600	1200	1800	300	3100	10	3600
		SN	700	1400	2100	350	4500	11.5	3500
ESN . EST	290	WN	800	1600	2000	400	3600	10	3600
		NN	900	1800	2700	450	5000	11.5	3500
		SN	1000	2000	3000	500	7500		
ESN . EST	320	WN	1200	2400	3000	600	8000	11.5	3500
		NN	1350	2700	3600	650	10000	14	3000
		SN	1550	3100	4200	750	13500		
ESN . EST	360	WN	1800	3600	4500	900	8500	11.5	3200
		NN	2000	4000	5400	1000	13000	14	3000
		SN	2500	5000	7500	1250	22000		
ESN . EST	420	WN	3100	6200	7700	1500	16000	14	3000
		NN	3450	6900	10000	1700	30000	16	2600
		SN	4200	8400	12600	2100	45000	18	2300
ESN . EST	465	WN	4600	9200	10000	2300	35000	14	3000
		NN	5200	10400	15600	2600	56000	16	2600
		SN	6300	12600	18900	3100	100000	18	2300
ESN .	520	WN	6200	12400	14000	3100	38000	18	2300
		NN	7000	14000	21000	3500	75000	21	2000
		SN	7800	15600	23400	3900	110000		
ESD .	520	WN	12400	24800	28000	6200	76000	18	2300
		NN	14000	28000	42000	7000	150000	21	2000
		SN	15600	31200	46800	7800	220000		
ESN .	560	WN	8000	16000	18000	4200	55000	18	2300
		NN	9000	18000	27000	4800	100000	21	2000
		SN	10000	20000	30000	5500	190000		
ESD .	560	WN	16000	32000	36000	8400	110000	18	2300
		NN	18000	36000	54000	9600	200000	21	2000
		SN	20000	40000	60000	11000	380000		
ESN .	580	WN	11000	22000	28000	5500	75000	18	2300
		NN	12500	25000	37000	6250	120000	21	2000
		SN	14000	28000	42000	7000	210000		
ESD .	580	WN	22000	44000	56000	11000	150000	21	2000
		NN	25000	50000	74000	12500	240000	24	1800
		SN	28000	56000	84000	14000	420000		
ESN .	680	WN	16000	32000	40000	8000	150000	21	2000
		NN	18000	36000	54000	9000	250000	24	1800
		SN	20000	40000	60000	10000	450000		
ESD .	680	WN	32000	64000	80000	16000	300000	21	2000
		NN	36000	72000	108000	18000	500000	24	1800
		SN	40000	80000	120000	20000	900000		
ESN .	770	WN	25000	50000	75000	12500	250000	similar to DIN 6288	1500
		NN	28000	56000	84000	14000	400000		
		SN	31500	63000	94000	15000	700000		
ESD .	770	WN	50000	100000	150000	25000	500000	similar to DIN 6288	1300
		NN	56000	112000	168000	28000	800000		
		SN	63000	126000	189000	30000	1400000		

Torsional stiffness depends on the ambient temperature and the frequency and amplitude of the torsional vibration excitation. More precise torsional stiffness and damping parameters on request.

With elastic couplings the manufacturing process of the rubber elements and their aging primarily influence the rigidity value C_{Tdyn} . For this reason calculation must be made with a tolerance for the dynamic rigidity of $\pm 20\%$. The specified damping coefficient Ψ is a minimum value with the result that the damping performance of the coupling corresponds at least to the specified value.

FLENDER Standard Couplings

Highly Flexible Couplings – ELPEX-S Series

General information

Rubber disk elements made of silicone rubber

Type	Size	Rubber version	Rated torque	Maximum torque	Overload torque	Fatigue torque	Dynamic torsional stiffness for 100 % load
			T_{KN} Nm	T_{Kmax} Nm	T_{KOL} Nm	T_{KW} (10 Hz) Nm	C_{Tdyn} kNm/rad
ESN .	220	NX	200	300	400	87	1.70
ESN .	265	NX	300	450	600	133	3.10
ESN .	290	NX	500	750	1000	213	5.40
ESN .	320	NX	770	1150	1530	320	12.0
ESN .	360	NX	1200	1800	2400	480	12.7
ESN .	420	NX	2000	3000	4000	800	30.0
ESN .	465	NX	3000	4500	6000	1200	53.0
ESN .	520	NX	4100	6100	8200	1600	75.0
ESD .	520	NX	8200	12300	16400	3200	150
ESN .	560	NX	5000	7500	10000	2200	83
ESD .	560	NX	10000	15000	20000	4400	166
ESN .	580	NX	6500	9750	13000	2667	113
ESD .	580	NX	13000	19500	26000	5867	226
ESN .	680	NX	10000	15000	20000	4000	225
ESD .	680	NX	20000	30000	40000	8000	450
ESN .	770	NX	15000	22500	30000	6000	480
ESD .	770	NX	30000	45000	60000	12000	960

Torsional stiffness

The dynamic torsional stiffness of the silicone rubber elements is load-dependent and increases in proportion to the load. The values specified in the selection table represent 100 % loading. The following table shows the correction factors for different rated loads.

$$C_{Tdyn} = C_{Tdyn\ 100\%} \cdot FKC$$

Correction factor FKC	Load T_N / T_{KN}						
	20 %	50 %	60 %	70 %	80 %	100 %	150 %
	0.42	0.57	0.64	0.72	0.8	1	1.6

Torsional stiffness also depends on the ambient temperature and the frequency and amplitude of the torsional vibration excitation. More precise torsional stiffness and damping parameters on request.

With elastic couplings the manufacturing process of the rubber elements and their aging primarily influence the rigidity value C_{Tdyn} . For this reason calculation must be made with a tolerance for the dynamic rigidity of $\pm 20\%$. The specified damping coefficient Ψ is a minimum value with the result that the damping performance of the coupling corresponds at least to the specified value.

Damping coefficient of the rubber versions

Rubber version	Hardness ShoreA	Damping coefficient Ψ
WN	50° ... 55°	0.80
NN	60° ... 65°	1.15
SN	70° ... 75°	1.25
NX	55° ... 65°	1.15

Size	Assembly ΔS mm	Permitted shaft misalignment at $n = 1500$ rpm		
		Axial ΔK_a mm	Radial ΔK_r mm	Angle ΔK_w degrees
220	1.3	0.2	1.2	0.5
265	1.3	0.2	1.2	0.5
290	1.5	0.2	1.2	0.5
320	1.5	0.2	1.2	0.5
360	1.5	0.2	1.2	0.5
420	1.5	0.3	1.3	0.4
465	1.7	0.3	1.3	0.4
520	1.7	0.3	1.4	0.4
560	1.7	0.3	1.4	0.4
580	1.8	0.4	1.5	0.3
680	1.8	0.4	1.5	0.3
770	2.0	0.5	1.5	0.3

For fitting, a maximum gap dimension of $S_{max.} = S + \Delta S$ and a minimum gap dimension of $S_{min.} = S - \Delta S$ are permitted.

Permitted shaft misalignment

The permitted shaft misalignment depends on the operating speed. As the speed increases, lower shaft misalignment values are permitted. The following table shows the correction factors for different speeds.

The maximum speed for the respective coupling size and type must be noted!

$$\Delta K_{perm} = \Delta K_{1500} \cdot FKV$$

Correction factor FKV	Speed in rpm			
	500	1000	1500	3000
	1.2	1.1	1.0	0.7

FLENDER Standard Couplings

Highly Flexible Couplings – ELPEX-S Series

General information

Variants of the outer flange

The outer flange of sizes 220 to 680 is designed to fit the connection dimensions of the SAE J620d standard.

The centering depth on the connection flange of the machine should be between 4 mm and 6.4 mm as a maximum.

Type	Size	Flange connection size	Figure
ESN	220	6.5	1
ESN	220	7.5	2
ESN, ESNR	265	8	
ESN, ESNR	360	11.5	
ESN, ESNR	465	14	
ESN, ESNR	580	18	
ESN, ESNR	680	21	
ESN	220	8, 10	3
ESN, ESNR	265	10, 11.5	
ESN, ESNR	290	All	
ESN, ESNR	320	All	
ESN, ESNR	360	14	
ESN, ESNR	420	All	
ESN, ESNR	465	16, 18	
ESN, ESNR	520	All	
ESN, ESNR	560	All	
ESN, ESNR	580	21	
ESN, ESNR	680	24	
ESNR	770	All	
ESD, ESDR	520	All	4
ESD, ESDR	560	All	
ESD, ESDR	580	All	
ESD, ESDR	680	21	5
ESD, ESDR	680	24	6
ESDR	770	All	

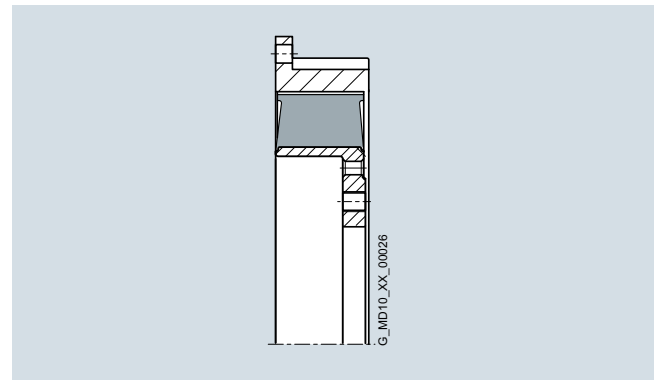


Figure 3

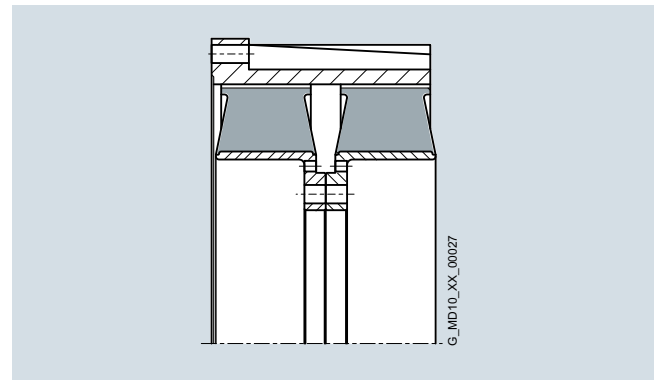


Figure 4

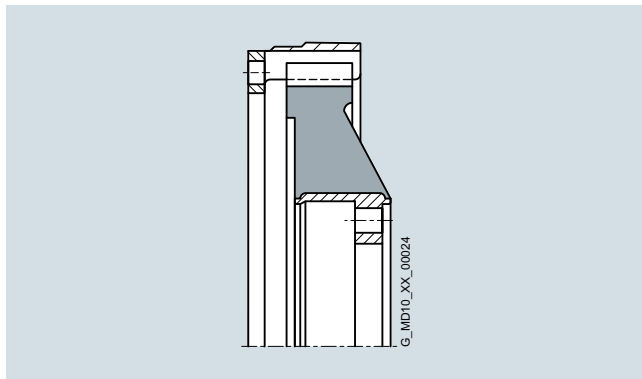


Figure 1

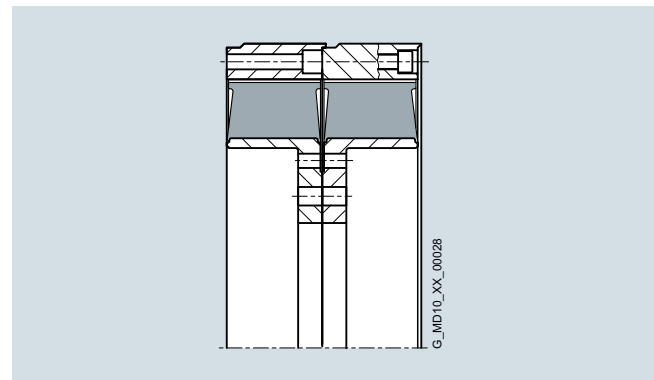


Figure 5

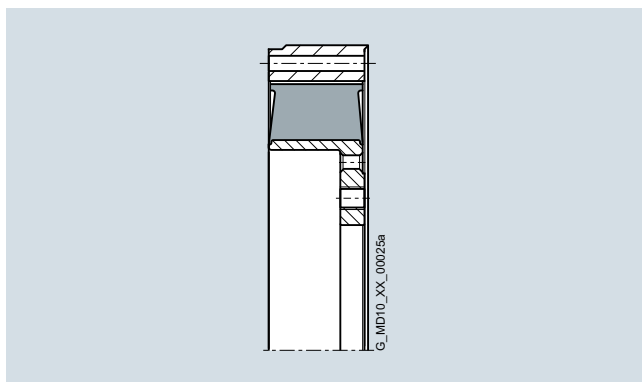


Figure 2

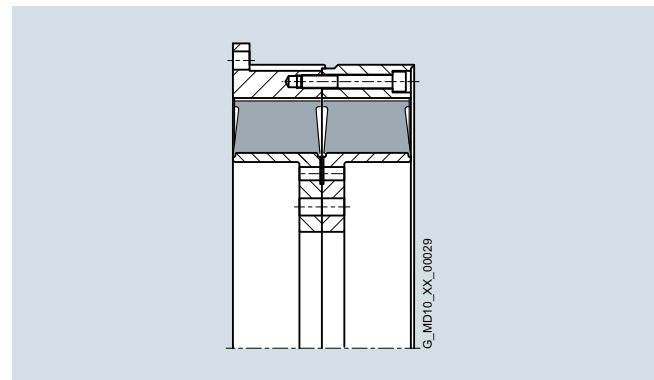
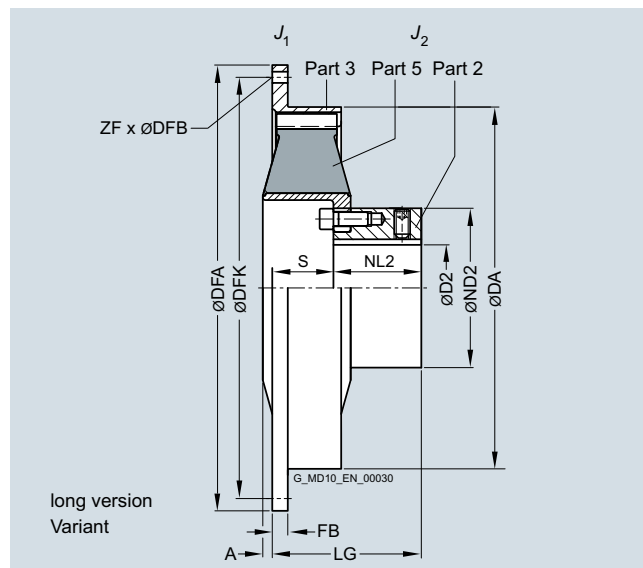
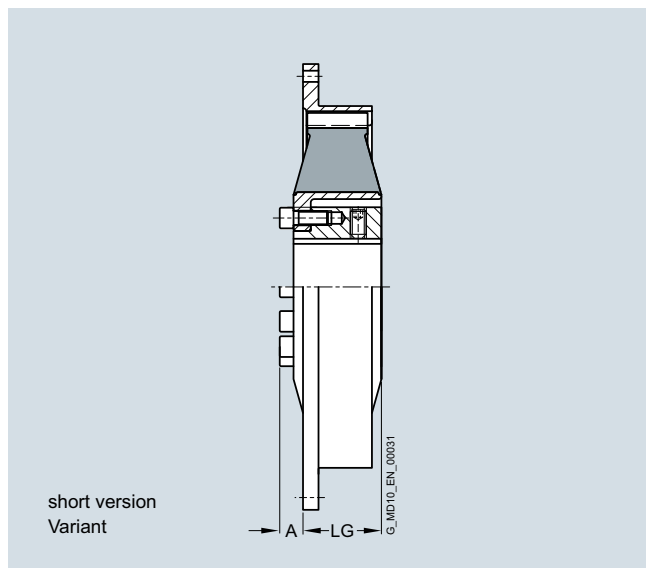


Figure 6

FLENDER Standard Couplings Highly Flexible Couplings – ELPEX-S Series

Type ESN

Selection and ordering data



The rubber disk element cannot be dismantled until the machines have been moved.

Size	Dimensions in mm										Flange connection dimensions					Mass moment of inertia		Article No. with order codes M.. for bore diameter ØD2 and tolerances (article number without "-Z") – selection in catalog part 3	Weight <i>m</i> kg
	D2 Keyway DIN 6885 max.	DA	ND2	NL2	A	LG	A	S	LG	SAE	DFA	DFK	FB	ZF	DFB	<i>J</i> ₁	<i>J</i> ₂		
						short version	long version								kgm ²	kgm ²			
220	60	222	98	54	-	-	0	49	103	6.5	215.9	200.0	6	6	8.5	0.008	0.01	2LC0220-0A B 0 ■ - ■ AA0	5.8
		237						40	94	7.5	241.3	222.3	33	8	8.5	0.011		2LC0220-0A B 0 ■ - ■ BA0	6.1
		222						40	94	8	263.5	244.5	8	6	10.5	0.011		2LC0220-0A B 0 ■ - ■ CA0	6.4
		222						40	94	10	314.3	295.3	8	8	10.5	0.017		2LC0220-0A B 0 ■ - ■ DA0	6.9
265	65	263	118	65	15	74	3	39	104	8	263.5	244.5	33	6	10.5	0.011	0.022	2LC0220-1A 0 ■ - ■ EA0	6.6
										10	314.3	295.3	10	8		0.017		2LC0220-1A 0 ■ - ■ DA0	6.9
										11.5	352.4	333.4	10	8		0.024		2LC0220-1A 0 ■ - ■ EA0	7.2
290	65	290	118	70	18	58	6	36	106	10	314.3	295.3	16	8	10.5	0.026	0.026	2LC0220-2A 0 ■ - ■ DA0	9.2
										11.5	352.4	333.4	16	8		0.036		2LC0220-2A 0 ■ - ■ EA0	10.5
320	80	318	140	87	15	96	2	70	157	11.5	352.4	333.4	16	8	10.5	0.062	0.061	2LC0220-3A 0 ■ - ■ EA0	19
										14	466.7	438.2	16	8	13	0.18		2LC0220-3A 0 ■ - ■ FA0	20.5
360	90	358	160	105	29	92	13	56	161	11.5	352.4	333.4	54	8	10.5	0.065	0.13	2LC0220-4A 0 ■ - ■ EA0	24.5
										14	466.7	438.2	15	8	13	0.18		2LC0220-4A 0 ■ - ■ FA0	27.5
420	100	420	185	102	26	92	10	72	174	14	466.7	438.2	18	8	13	0.22	0.32	2LC0220-5A 0 ■ - ■ EA0	36
										16	517.5	489.0	18	8	13	0.32		2LC0220-5A 0 ■ - ■ GA0	38
										18	571.5	542.9	18	6	17	0.47		2LC0220-5A 0 ■ - ■ HA0	40
465	120	465	222	125	33	92	2	39	164	14	466.7	438.2	85	8	13	0.31	0.58	2LC0220-6A 0 ■ - ■ FA0	56
										16	517.5	489.0	27	8	13	0.41		2LC0220-6A 0 ■ - ■ GA0	57
										18	571.5	542.9	18	6	17	0.52		2LC0220-6A 0 ■ - ■ HA0	61
520	165	514	250	142	16	159	0	83	225	18	571.5	542.9	18	12	17	0.48	0.93	2LC0220-7A 0 ■ - ■ HA0	55
										21	673.1	641.4	18	12		0.95		2LC0220-7A 0 ■ - ■ JA0	60
560	200	560	320	140	30	130	2.5	83	223	18	571.5	542.9	35	12	17	0.85	1.2	2LC0220-8A 0 ■ - ■ HA0	69
										21	673.1	641.4	20	12		1.8		2LC0220-8A 0 ■ - ■ JA0	78
580	200	580	316	200	23	215	0	100	300	18	571.5	542.9	104	12	17	0.77	1.8	2LC0221-0A 0 ■ - ■ HA0	100
										21	673.1	641.4	26	12		1.2		2LC0221-0A 0 ■ - ■ JA0	105
680	220	682	380	210	24	232	0	102	312	21	673.1	641.4	85	12	17	4.1	5.3	2LC0221-1A 0 ■ - ■ JA0	205
										24	733.4	692.2	20	12	21	5.3		2LC0221-1A 0 ■ - ■ KA0	215

Variant	<ul style="list-style-type: none"> • short version • long version 	A	1
ØD2	<ul style="list-style-type: none"> • Without finished bore – Without order codes • With finished bore – With order codes for diameter and tolerance (article number without "-Z") 	B	9
Rubber element	<ul style="list-style-type: none"> • WN • NN • SN • NX 		1 2 3 4

Weight and mass moments of inertia apply to maximum bore diameters.

Ordering example:

ELPEX-S ESN coupling, size 520, WN rubber element, hub with bore ØD2 = 150H7 mm, with keyway to DIN 6885 and set screw, outer flange to SAE J620d size 21.

Article No.:

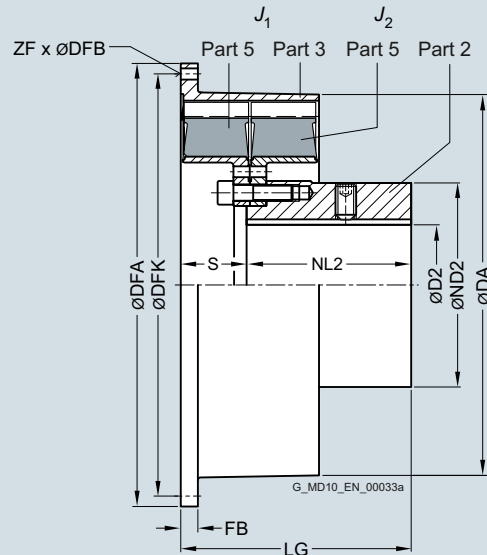
short version: **2LC0220-7AA09-1JA0 M1W**
long version: **2LC0220-7AB09-1JA0 M1W**

FLENDER Standard Couplings

Highly Flexible Couplings – ELPEX-S Series

Type ESD

Selection and ordering data



The rubber disk element cannot be dismantled until the machines have been moved.

Size	Dimensions in mm						Flange connection dimensions						Mass moment of inertia		Article No. with order codes M.. for bore diameter $\varnothing D2$ and tolerances (article number without "-Z") – selection in catalog part 3	Weight <i>m</i> kg	
	D2 Keyway DIN 6885 max.	DA	ND2	NL2	S	LG	SAE	DFA	DFK	FB	ZF	DFB	J_1	J_2			
520	165	525	250	174	81	255	18	571.5	542.9	25	12	17	1	1.6	2LC0220-7AD0 ■ - ■ HA0	85	
							21	673.1	641.4	18	12	17	1.5	2LC0220-7AD0 ■ - ■ JA0			90
560	170	560	316	210	60	270	18	571.5	542.9	35	12	17	1.7		2.8	2LC0220-8AD0 ■ - ■ HA0	
							21	673.1	641.4	25	12	17	2.6	2LC0220-8AD0 ■ - ■ JA0	150		
580	200	585	310	250	100	350	21	673.1	641.4	26	12	17	2			3.8	2LC0221-0AD0 ■ - ■ JA0
							24	733.4	692.2	26	12	21	2.6	2LC0221-0AD0 ■ - ■ KA0	175		
680	220	682	380	250	17	267	21	673.1	641.4	85	12	17	8.2			7	2LC0221-1AD0 ■ - ■ JA0
							24	733.4	692.2	20	12	21	9.4	2LC0221-1AD0 ■ - ■ KA0	275		
$\varnothing D2$		<ul style="list-style-type: none"> Without finished bore – Without order codes With finished bore – With order codes for diameter and tolerance (article number without "-Z") 														1	
Rubber element		<ul style="list-style-type: none"> WN NN SN NX 														1	
																2	
																3	
																4	

Weight and mass moments of inertia apply to maximum bore diameters.

Ordering example:

ELPEX-S ESD coupling, size 680, WN rubber element,
hub with bore $\varnothing D2 = 180H7$ mm, with keyway to DIN 6885 and
set screw, outer flange to SAE J620d size 24.

Article No.:

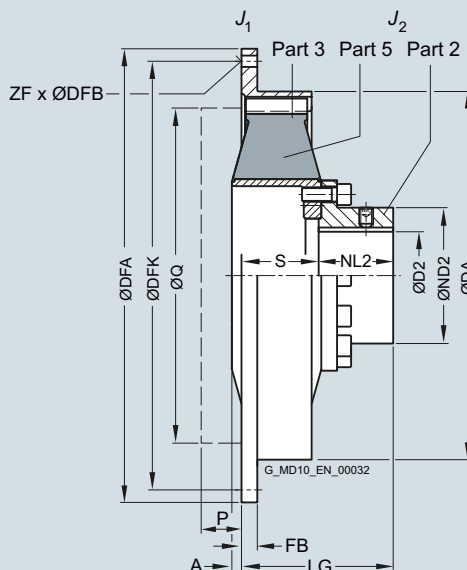
2LC0221-1AD09-1KA0
M2B

FLENDER Standard Couplings

Highly Flexible Couplings – ELPEX-S Series

Type ESNR

Selection and ordering data



Size	Dimensions in mm										Flange connection dimensions					Mass moment of inertia		Article No. with order codes M.. for bore diameter $\varnothing D2$ and tolerances (article number without "-Z") – selection in catalog part 3	Weight <i>m</i> kg
	D2 Keyway DIN 6885 max.	DA	ND2	NL2	S	A	P	Q	LG	SAE	DFA	DFK	FB	ZF	DFB	J_1	J_2		
265	50	263	78	65	42	–	10	225	107	Size					0.011	0.022	2LC0220-1AC0 ■ - ■ CA0	5.0	
										8	263.5	244.5	33	6	10.5	0.017		2LC0220-1AC0 ■ - ■ DA0	5.3
										11.5	352.4	333.4	10	8	0.024	2LC0220-1AC0 ■ - ■ EA0			5.6
290	50	290	78	65	59	2	15	276	124	10	314.3	295.3	16	8	10.5		0.026	0.026	2LC0220-2AC0 ■ - ■ DA0
										11.5	352.4	333.4	16	8	0.036	2LC0220-2AC0 ■ - ■ EA0	8.4		
320	65	318	98	87	74	0	20	310	161	11.5	352.4	333.4	16	8	10.5		0.062	0.061	2LC0220-3AC0 ■ - ■ EA0
										14	466.7	438.2	16	8	13	0.18	2LC0220-3AC0 ■ - ■ FA0	16	
360	85	358	123	88	77	9	28	314	165	11.5	352.4	333.4	54	8	10.5	0.065		0.13	2LC0220-4AC0 ■ - ■ EA0
										14	466.7	438.2	15	8	13	0.18	2LC0220-4AC0 ■ - ■ FA0	23	
420	100	420	155	85	93	6	28	409	178	14	466.7	438.2	18	8	13	0.22		0.32	2LC0220-5AC0 ■ - ■ FA0
										16	517.5	489.0	18	8	13	0.32	2LC0220-5AC0 ■ - ■ GA0	32	
										18	571.5	542.9	18	6	17	0.47		2LC0220-5AC0 ■ - ■ HA0	
465	130	465	190	119	88	–	15	409	207	14	466.7	438.2	85	8	13	0.31	0.58		2LC0220-6AC0 ■ - ■ FA0
										16	517.5	489.0	27	8	13	0.41	2LC0220-6AC0 ■ - ■ GA0	42	
										18	571.5	542.9	18	6	17	0.52		2LC0220-6AC0 ■ - ■ HA0	
520	150	514	227	162	85	–	10	498	247	18	571.5	542.9	18	12	17	0.48	0.93		2LC0220-7AC0 ■ - ■ HA0
										21	673.1	641.4	18	12	0.95	2LC0220-7AC0 ■ - ■ JA0	64		
560	150	560	240	180	99	–	10	498	279	18	571.5	542.9	35	12	17		0.85	1.2	2LC0220-8AC0 ■ - ■ HA0
										21	673.1	641.4	20	12	1.8	2LC0220-8AC0 ■ - ■ JA0	85		
580	160	580	240	200	102	–	10	498	302	18	571.5	542.9	104	12	17		0.77	1.8	2LC0221-0AC0 ■ - ■ HA0
										21	673.1	641.4	26	12	1.2	2LC0221-0AC0 ■ - ■ JA0	84		
680	200	682	300	210	102	–	10	584	312	21	673.1	641.4	85	12	17		4.1	5.3	2LC0221-1AC0 ■ - ■ JA0
										24	733.4	692.2	20	12	21	5.3	2LC0221-1AC0 ■ - ■ KA0	165	
770	260	780	390	255	134	–	10	750	389	–	860.0	820.0	26	32	21	10.7		12	2LC0221-2AC0 ■ - ■ LA0
										–	920.0	880.0	27	32	21	15.4	2LC0221-2AC0 ■ - ■ MA0	350	
										–	995.0	950.0	27	32	21	20.5		2LC0221-2AC0 ■ - ■ NA0	
$\varnothing D2$		<ul style="list-style-type: none"> Without finished bore – Without order codes With finished bore – With order codes for diameter and tolerance (article number without "-Z") 															1		
Rubber element		<ul style="list-style-type: none"> WN NN SN NX 															1		
																	2		
																	3		
																	4		

Weight and mass moments of inertia apply to maximum bore diameters.

P, Q = required space for radial dismounting of the rubber disk element

Ordering example:

ELPEX-S ESNR coupling, size 320, WN rubber element, hub with bore $\varnothing D2 = 50H7$ mm, with keyway to DIN 6885 and set screw, outer flange to SAE J620d size 14.

Article No.:

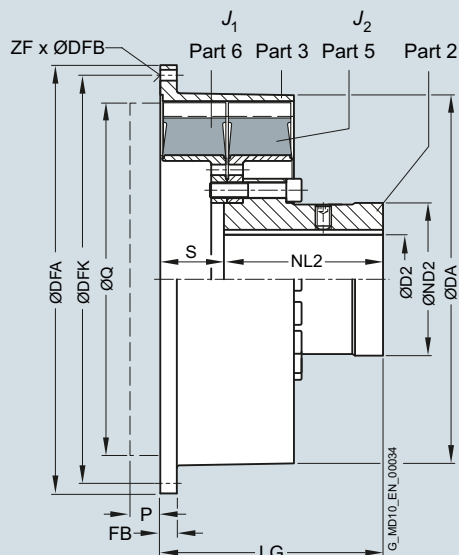
2LC0220-3AC09-1FA0
M1C

FLENDER Standard Couplings

Highly Flexible Couplings – ELPEX-S Series

Type ESDR

Selection and ordering data



Size	Dimensions in mm													Mass moment of inertia		Article No. with order codes M.. for bore diameter $\varnothing D2$ and tolerances (article number without "-Z") – selection in catalog part 3	Weight <i>m</i> kg	
	D2 Keyway DIN 6885 max.	DA	ND2	NL2	S	P	Q	LG	SAE	DFA	DFK	FB	ZF	DFB	J_1			J_2
520	150	525	227	226	83	10	498	309	18	571.5	542.9	25	12	17	1	1.8	2LC0220-7AE0 ■ - ■ HA0	105
									21	673.5	641.4	18	12	17	1.5	2LC0220-7AE0 ■ - ■ JA0	110	
560	160	560	240	240	100	10	498	340	18	571.5	542.9	35	12	17	1.7	2.5	2LC0220-8AE0 ■ - ■ HA0	135
									21	673.1	641.4	25	12	17	2.6	2LC0220-8AE0 ■ - ■ JA0	140	
580	160	585	240	250	100	10	560	350	21	673.1	641.4	26	12	17	2	3.2	2LC0221-0AE0 ■ - ■ JA0	145
									24	733.4	692.2	26	12	21	2.6	2LC0221-0AE0 ■ - ■ KA0	150	
680	200	682	300	250	102	10	584	352	21	673.1	641.4	85	12	17	8.2	6.5	2LC0221-1AE0 ■ - ■ JA0	260
									24	733.4	692.2	20	12	21	9.4	2LC0221-1AE0 ■ - ■ KA0	270	
770	260	780	390	300	200	10	750	500	860.0	820.0	19	32	21	22.3	20	2LC0221-2AE0 ■ - ■ LA0	540	
								500	920.0	880.0	27	32	26	2LC0221-2AE0 ■ - ■ MA0	555			
								500	995.0	950.0	27	32	31	2LC0221-2AE0 ■ - ■ NA0	600			
$\varnothing D2$	<ul style="list-style-type: none"> Without finished bore – Without order codes With finished bore – With order codes for diameter and tolerance (article number without "-Z") 													1	9			
Rubber element	<ul style="list-style-type: none"> WN NN SN NX 													1	2	3	4	

Weight and mass moments of inertia apply to maximum bore diameters.

P, Q = required space for radial dismounting of the rubber disk element

Ordering example:

ELPEX-S ESDR coupling, size 560, WN rubber element, hub with bore $\varnothing D2 = 120H7$ mm, with keyway to DIN 6885 and set screw, outer flange to SAE J620d size 21.

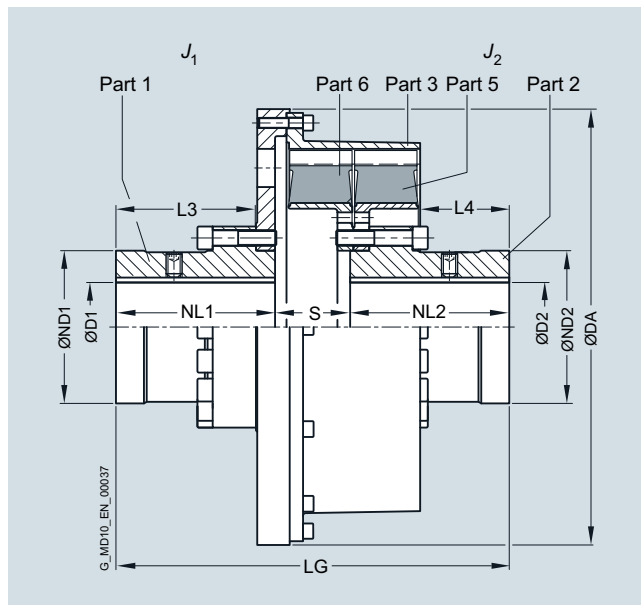
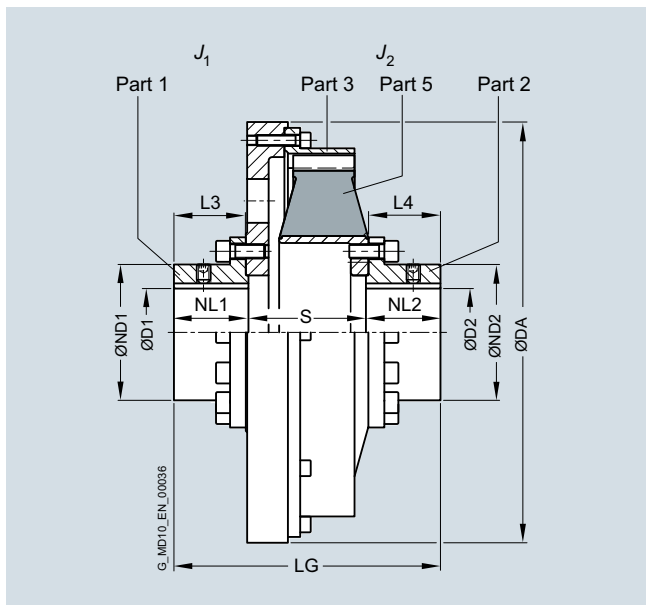
Article No.:

2LC0220-8AE09-1JA0
M1S

FLENDER Standard Couplings Highly Flexible Couplings – ELPEX-S Series

Types ESNW and ESDW

Selection and ordering data



Type ESNW

Type ESDW

Size	Dimensions in mm								Mass moment of inertia		Article No. with order codes M.. for bore diameter ØD2 and tolerances (article number without "-Z") – selection in catalog part 3	Weight <i>m</i> kg
	D1/D2 Keyway DIN 6885 max.	DA	ND1/ND2	NL1/NL2	L3	L4	S	LG	<i>J</i> ₁ kgm ²	<i>J</i> ₂ kgm ²		
Type ESNW												
265	50	275	78	65	62	66	68	198	0.11	0.017	2LC0220-1AG ■ ■ - ■ AA0	15
290	50	325	78	65	62	68	89	219	0.21	0.028	2LC0220-2AG ■ ■ - ■ AA0	22
320	65	365	98	87	84	92	105	279	0.37	0.042	2LC0220-3AG ■ ■ - ■ AA0	32
360	85	365	123	88	85	96	123	299	0.45	0.11	2LC0220-4AG ■ ■ - ■ AA0	43
420	100	480	155	85	82	94	134	304	1.5	0.3	2LC0220-5AG ■ ■ - ■ AA0	75
465	130	480	190	119	116	119	125	363	1.6	0.54	2LC0220-6AG ■ ■ - ■ AA0	89
520	150	585	227	162	159	161	123	447	4	0.94	2LC0220-7AG ■ ■ - ■ AA0	155
560	150	585	240	180	174	174	132	492	4.1	1.2	2LC0220-8AG ■ ■ - ■ AA0	160
580	160	685	240	200	195	198	145	545	5.5	1.6	2LC0221-0AG ■ ■ - ■ AA0	185
680	200	685	300	210	205	201	150	570	12	3.6	2LC0221-1AG ■ ■ - ■ AA0	315
770	260	870	390	255	250	253	180	690	27.2	12	2LC0221-2AG ■ ■ - ■ AA0	500
Type ESDW												
520	150	585	227	226	201	135	100	552	4.7	1.8	2LC0220-7AH ■ ■ - ■ AA0	215
560	160	585	240	240	215	133	114	594	5.4	2.5	2LC0220-8AH ■ ■ - ■ AA0	250
580	160	685	240	250	220	140	120	620	10.1	3.2	2LC0221-0AH ■ ■ - ■ AA0	300
680	200	685	300	250	218	134	125	625	14.5	6.5	2LC0221-1AH ■ ■ - ■ AA0	440
770	260	870	390	300	265	238	220	820	40	20	2LC0221-2AH ■ ■ - ■ AA0	720
ØD1	<ul style="list-style-type: none"> Without finished bore – Without order codes With finished bore – With order codes for diameter and tolerance (article number without "-Z") 											1 9
ØD2	<ul style="list-style-type: none"> Without finished bore – Without order codes With finished bore – With order codes for diameter and tolerance (article number without "-Z") 											1 9
Rubber element	<ul style="list-style-type: none"> WN NN SN NX 											1 2 3 4

Weight and mass moments of inertia apply to maximum bore diameters.

Ordering example:

ELPEX-S ESNW coupling, size 520, WN rubber element, hub with bore ØD1 = 140H7 mm, with keyway to DIN 6885 and set screw, bore ØD2 = 120H7 mm, with keyway to DIN 6885 and set screw.

Article No.:

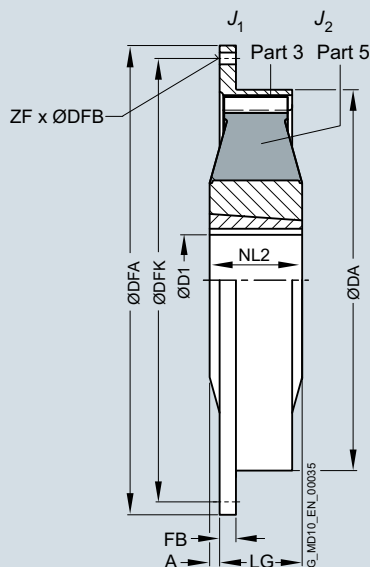
2LC0220-7AG99-1AA0
L1V+M1S

FLENDER Standard Couplings

Highly Flexible Couplings – ELPEX-S Series

Type EST

Selection and ordering data



The rubber disk element cannot be dismantled until the machines have been moved.

Size	Dimensions in mm							Flange connection dimensions					Mass moment of inertia		Article No. with order codes M.. for bore diameter $\varnothing D2$ and tolerances (article number without "-Z") – selection in catalog part 3	Weight <i>m</i> kg		
	Taper bush Size	D1 Keyway DIN 6885 min.	D1 Keyway DIN 6885 max.	DA	NL2	A	LG	SAE	DFA	DFK	FB	ZF	DFB	J_1 kgm ²			J_2 kgm ²	
220	2012	14	50	222	32	0	52	6.5	215.9	200.0	6	6	8.5	0.008	0.008	2LC0220-0AF0 ■ - ■ AA0	3.6	
								43	7.5	241.3	222.3	33	8	8.5	0.008		2LC0220-0AF0 ■ - ■ BA0	3.5
								43	8	263.5	244.5	8	6	10.5	0.011		2LC0220-0AF0 ■ - ■ CA0	3.7
								43	10	314.3	295.3	8	8	10.5	0.020		2LC0220-0AF0 ■ - ■ DA0	4.2
265	2517	16	60	263	45	3	42	8	263.5	244.5	33	6	10.5	0.011	0.019	2LC0220-1AF0 ■ - ■ CA0	5.9	
								10	314.3	295.3	10	8		0.017		2LC0220-1AF0 ■ - ■ DA0	6.2	
								11.5	352.4	333.4	10	8		0.024		2LC0220-1AF0 ■ - ■ EA0	6.5	
290	2517	16	60	290	64	6	58	10	314.3	295.3	16	8	10.5	0.026	0.026	2LC0220-2AF0 ■ - ■ DA0	8.5	
								11.5	352.4	333.4	16	8		0.036		2LC0220-2AF0 ■ - ■ EA0	8.8	
320	3030	35	75	318	76	2	73	11.5	352.4	333.4	16	8	10.5	0.062	0.06	2LC0220-3AF0 ■ - ■ EA0	14	
360	3535	35	90	358	89	13	76	11.5	352.4	333.4	54	8	10.5	0.065	0.13	2LC0220-4AF0 ■ - ■ EA0	21	
								14	466.7	438.2	15	8	13	0.18		2LC0220-4AF0 ■ - ■ FA0	24	
420	4040	40	100	420	102	10	92	14	466.7	438.2	18	8	13	0.22	0.33	2LC0220-5AF0 ■ - ■ FA0	37	
								16	517.5	489.0	18	8	13	0.32		2LC0220-5AF0 ■ - ■ GA0	38	
								18	571.5	542.9	18	6	17	0.47		2LC0220-5AF0 ■ - ■ HA0	41	
465	4545	55	110	465	115	28	87	14	466.7	438.2	85	8	13	0.31	0.76	2LC0220-6AF0 ■ - ■ FA0	63	
								16	517.5	489.0	27	8	13	0.41		2LC0220-6AF0 ■ - ■ GA0	64	
								18	571.5	542.9	18	6	17	0.52		2LC0220-6AF0 ■ - ■ HA0	68	
ØD1	<ul style="list-style-type: none"> Without Taper clamping bush With Taper clamping bush – With order code for diameter and tolerance (article number without "-Z") 															1		
Rubber element	<ul style="list-style-type: none"> WN NN SN NX 															1 2 3 4		

Weight and mass moments of inertia apply to maximum bore diameters.

Ordering example:

ELPEX-S EST coupling, size 265, WN rubber element, with Taper clamping bush size 2517, with bore $\varnothing D2 = 30$ mm, outer flange to SAE J620d size 10.

Article No.:

2LC0220-1AF99-1DA0
M0S

FLENDER Standard Couplings

Highly Flexible Couplings – ELPEX-S Series

Spare and wear parts

Selection and ordering data

Rubber disk elements

The rubber disk elements of the ELPEX-S coupling are wear parts. The service life depends on the operating conditions.

Size	Article No. set of rubber disk elements for a coupling				
Type	EST	ESN	ESNR, ESNW	ESD	ESDR, ESDW
220	2LC0220-0XL 0- AA0	2LC0220-0XJ00- AA0			
265	2LC0220-1XL 0- AA0	2LC0220-1XJ00- AA0	2LC0220-1XM00- AA0		
290	2LC0220-2XL 0- AA0	2LC0220-2XJ00- AA0	2LC0220-2XM00- AA0		
320	2LC0220-3XL 0- AA0	2LC0220-3XJ00- AA0	2LC0220-3XM00- AA0		
360	2LC0220-4XL 0- AA0	2LC0220-4XJ00- AA0	2LC0220-4XM00- AA0		
420	2LC0220-5XL 0- AA0	2LC0220-5XJ00- AA0	2LC0220-5XM00- AA0		
465	2LC0220-6XL 0- AA0	2LC0220-6XJ00- AA0	2LC0220-6XM00- AA0		
520		2LC0220-7XJ00- AA0	2LC0220-7XM00- AA0	2LC0220-7XK00- AA0	2LC0220-7XN00- AA0
560		2LC0220-8XJ00- AA0	2LC0220-8XM00- AA0	2LC0220-8XK00- AA0	2LC0220-8XN00- AA0
580		2LC0221-0XJ00- AA0	2LC0221-0XM00- AA0	2LC0221-0XK00- AA0	2LC0221-0XN00- AA0
680		2LC0221-1XJ00- AA0	2LC0221-1XM00- AA0	2LC0221-1XK00- AA0	2LC0221-1XN00- AA0
770			2LC0221-2XM00- AA0		2LC0221-2XN00- AA0
Without Taper clamping bush	1				
With Taper clamping bush	9				
Rubber element	• WN 1	1	1	1	1
	• NN 2	2	2	2	2
	• SN 3	3	3	3	3
	• NX 4	4	4	4	4

Ordering examples:

WN rubber element for ELPEX-S EST 265 coupling, including taper bush 2517 with bore $\varnothing D1 = 24$ mm, keyway to DIN 6885.

Article No.:

2LC0220-1XL90-1AA0
LOP

WN rubber element for ELPEX-S EST 265 coupling without Taper clamping bush.

Article No.:

2LC0220-1XL10-1AA0

FLENDER Standard Couplings

Highly Flexible Couplings – ELPEX-S Series

Notes

11

Highly Flexible Couplings ELPEX Series



12/2	Overview
12/2	Benefits
12/2	Application
12/2	Design
12/4	Configuration
12/5	Technical data
12/6	Types ENG/ENGS
12/6	Selection and ordering data
12/7	Types EFG/EFGS
12/7	Selection and ordering data
12/8	Spare and wear parts
12/8	Selection and ordering data

FLENDER Standard Couplings

Highly Flexible Couplings – ELPEX Series

General information

Overview



ELPEX couplings are highly torsionally flexible and free of torsional backlash. Because of their low torsional stiffness and damping capacity, ELPEX couplings are especially suitable for coupling machines with a very non uniform torque pattern. ELPEX couplings are also suitable for connecting machines with high shaft misalignment.

Standard ELPEX coupling types are designed as shaft-shaft connections or flange-shaft connections. Application-related types can be implemented on request.

Benefits

The ELPEX coupling is suitable for horizontal and vertical mounting positions or mounting at any required angle. The coupling parts can be arranged as required on the shafts to be connected.

The split flexible rings can be changed without having to move the coupled machines.

The flexible rings are mounted without backlash and give the coupling progressive torsional stiffness, i.e. torsional stiffness increases in proportion to coupling load.

The ELPEX coupling is especially suitable for reversing operation or operation with changing directions of load.

The coupling is delivered preassembled. The flexible rings are completely assembled. On the type ENG, the coupling halves have to be bolted together after the hub has been mounted. On the type EFG, after mounting the coupling hub, only the outer flange has to be connected to the machine.

Outer flanges with different connection dimensions are available for the type EFG.

If the flexible rings are irreparably damaged or worn, the metal parts can rotate freely against one another, they are not in contact with one another.

Application

The ELPEX coupling is available in 9 sizes with a nominal torque of between 1600 Nm and 90000 Nm. The coupling is suitable for ambient temperatures of between -40 °C and +80 °C.

The ELPEX coupling is frequently used for high-quality drives which have to guarantee very long service life in harsh operating conditions. Examples of applications are mill drives in the cement industry, marine main and secondary drives or drives on large excavators powered by an electric motor or diesel engine.

Design

Design and function

The ELPEX coupling's transmission characteristic is determined essentially by the flexible rings. The flexible rings are manufactured from a natural rubber mixture with a multiply fabric lining. The flexible rings are split so that they can be changed without having to move the coupled machines.

The flexible rings are fastened to the hub with a clamping ring and to the outer flange with a clamping ring, using pins and bolts.

On the type EFG, the outer flange is designed with connection dimensions for connection to e.g. a diesel engine flywheel. On ENG types, the outer flange is fitted to a second hub part, which then enables the shaft-shaft connection.

Materials:

	Type	
	Cast iron	Steel
Hub part 1	Grey cast iron EN-GJL-250	Steel
Hub part 2	Steel	Steel
Retaining ring, outer ENG, ENGS	Grey cast iron EN-GJL-250	Steel
Outer flange EFG, EFGS	Grey cast iron EN-GJL-250	Steel

Flexible ring materials:

Material/description	Hardness	Identification	Ambient temperature
Natural rubber	70 ShoreA	Size - 2	-40 °C ... +80 °C

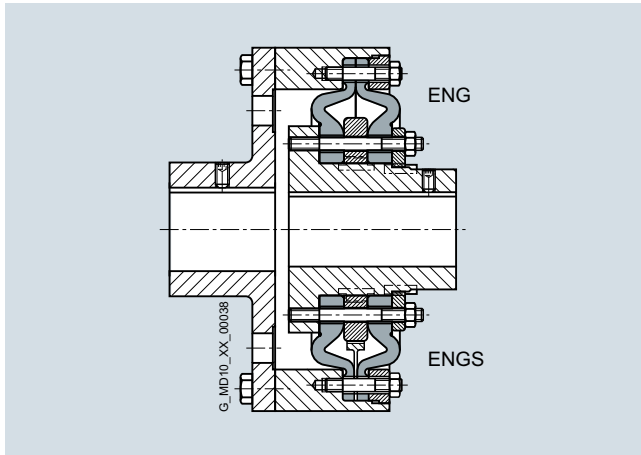
FLENDER Standard Couplings

Highly Flexible Couplings – ELPEX Series

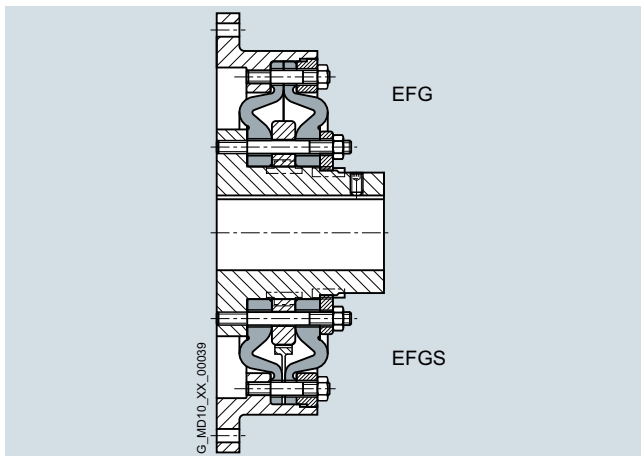
General information

ELPEX coupling types

Type	Description
ENG	Coupling as shaft-shaft connection
EFG	Coupling as flange-shaft connection
ENGs	as ENG with fail-safe device
EFGs	as EFG with fail-safe device



Types ENG/ENGs



Types EFG/EFGs

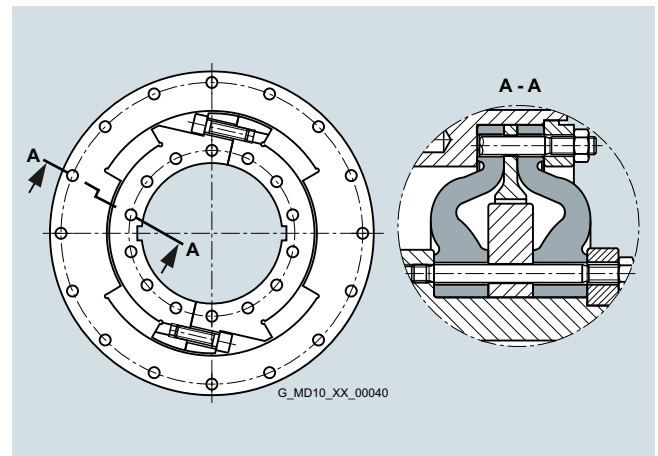
Further application-specific coupling types are available. Dimension sheets for and information on these are available on request. The following versions have already been implemented a number of times:

- ELPEX coupling with brake drum, brake disk or flywheel mass
- ELPEX coupling with axial backlash limiter
- ELPEX coupling with adapter
- ELPEX coupling in combination with a safety slip clutch
- ELPEX coupling for engaging/disengaging during standstill
- ELPEX coupling as part of a coupling combination

Fail-safe device of ELPEX coupling

Types ENGs and EFGs are provided with a fail-safe device. In normal operation the torsion angle of the flexible rings is smaller than the gap between the cams. In normal operation there is no metal-metal contact.

If the flexible rings fail, cams transmit the torque from the inner part and outer part. These enable the coupling to be used in emergency mode for a short time. This option is frequently required e.g. in the case of marine drives.



Fail-safe device

FLENDER Standard Couplings

Highly Flexible Couplings – ELPEX Series

General information

Configuration

The ELPEX coupling is especially suitable for rough operation. An application factor different from that in catalog section 3 is therefore sufficient for all applications. In the case of machines which excite torsional vibration, Siemens urgently recommends carrying out a torsional vibration calculation or measuring the coupling load occurring in the drive.

Coupling selection

Coupling load in continuous operation

The operating principles of the driving and driven machines are divided into categories and the application factor FB derived from these in accordance with DIN 3990-1.

Application factor FB Torque characteristic of the driving machine	Torque characteristic of the driven machine		
	uniform with moderate shock loads	non uniform	very rough
Electric motors, hydraulic motors, gas and water turbines	1.0	1.3	1.4
Internal combustion engines	1.3	1.4	1.6

Examples of torque characteristic in driven machines:

- uniform with moderate shock loads: generators, fans, blowers
- non uniform: reciprocating compressors, mixers, conveyor systems
- very rough: crushers, excavators, presses, mills

Coupling	Elastomer material	Temperature T_a on the coupling				
		-40 °C to -30 °C	-30 °C to +50 °C	to 60 °C	to 70 °C	to 80 °C
ELPEX	NR	1.1	1.0	1.25	1.40	1.60

NR: Natural rubber mixture

Select size with: $T_{KN} \geq T_N \cdot FB \cdot FT$

Coupling load at maximum and overload conditions

The maximum torque is the highest load acting on the coupling in normal operation.

Maximum torques at a frequency of up to 25 times an hour are permitted and must be lower than the maximum coupling torque. Examples of maximum torque conditions are: Starting operations, stopping operations or usual operating conditions with maximum load.

$$T_{Kmax} \geq T_{max} \cdot FT$$

Overload torques are maximum loads which occur only in combination with special, infrequent operating conditions.

Examples of overload torque conditions are: Motor short circuit, emergency stop or blocking because of component breakage. Overload torques at a frequency of once a month are permitted and must be lower than the maximum overload torque of the coupling. The overload condition may last only a short while, i.e. fractions of a second.

$$T_{KOL} \geq T_{OL} \cdot FT$$

Coupling load due to dynamic torque load

Applying the frequency factor FF, the dynamic torque load must be lower than the coupling fatigue torque.

Dynamic torque load

$$T_{KW} \geq T_W \cdot FT \cdot FF \cdot \frac{0.6}{FB - 1.0}$$

Frequency of the dynamic torque load

$f_{err} \leq 10$ Hz frequency factor FF = 1.0

Frequency of the dynamic torque load

$f_{err} > 10$ Hz frequency factor FF = $\sqrt{(f_{err} / 10 \text{ Hz})}$

Checking the maximum speed:

The following must apply to all load situations: $n_{Kmax} \geq n_{max}$

Checking permitted shaft misalignment and restorative forces

For all load situations the actual shaft misalignment must be less than the permitted shaft misalignment.

Checking bore diameter, mounting geometry and coupling design

The check must be made on the basis of the dimension tables. On request, couplings with adapted geometry can be provided.

Checking shaft-hub connection

Please refer to catalog section 3 for instructions.

Checking temperature and chemically aggressive environment

The permitted coupling temperature is specified in the Temperature Factor FT table. In the case of chemically aggressive environments, please consult the manufacturer.

Technical data

Power ratings

Size	Rated torque	Maximum torque	Overload torque	Fatigue torque	Dynamic torsional stiffness for 100 % capacity utilization	Stiffness		Permitted shaft misalignment at speed $n = 1500$ rpm		
						Axial	Radial	Axial	Radial	Angle
	T_{KN} Nm	T_{Kmax} Nm	T_{KOL} Nm	T_{KW} Nm	C_{Tdyn} kNm/rad	C_a N/mm	C_r N/mm	ΔK_a mm	ΔK_r mm	ΔK_w Degree
270	1600	4800	6400	640	22.0	660	770	2.2	2.2	0.2
320	2800	8400	11200	1120	38.0	780	910	2.6	2.6	0.2
375	4500	13500	18000	1800	63.0	970	1130	3	3	0.2
430	7100	21300	28400	2840	97.0	1160	1350	3.4	3.4	0.2
500	11200	33600	44800	4480	155	1410	1630	3.8	3.8	0.2
590	18000	54000	72000	7200	240	1710	1990	4.2	4.2	0.2
690	28000	84000	112000	11200	365	2060	2390	4.6	4.6	0.2
840	45000	135000	180000	18000	685	2570	2990	5	5	0.2
970	90000	270000	360000	36000	1100	3020	3510	5.5	5.5	0.2

The damping coefficient is $\Psi = 1.1$

Torsional stiffness

The dynamic torsional stiffness is load-dependent and increases in proportion to capacity utilization. The values specified in the selection table apply to a capacity utilization of 100 %. The following table shows the correction factors for different rated loads.

$$C_{Tdyn} = C_{Tdyn 100\%} \cdot FKC$$

Correction factor FKC	Capacity utilization T_N / T_{KN}						
	20 %	50 %	60 %	70 %	80 %	100 %	200 %
	0.3	0.56	0.65	0.74	0.82	1	1.9

Torsional stiffness also depends on the ambient temperature and the frequency and amplitude of the torsional vibration excitation. More precise torsional stiffness and damping parameters on request.

With elastic couplings the manufacturing process of the rubber elements and their aging primarily influence the rigidity value C_{Tdyn} . For this reason calculation must be made with a tolerance for the dynamic rigidity of $\pm 20\%$. The specified damping coefficient Ψ is a minimum value with the result that the damping performance of the coupling corresponds at least to the specified value.

Permitted shaft misalignment

The permitted shaft misalignment depends on the operating speed. As the speed increases, lower shaft misalignment values are permitted. The following table shows the correction factors for different speeds.

The maximum speed for the respective coupling size must be noted!

$$\Delta K_{perm} = \Delta K_{1500} \cdot FKV$$

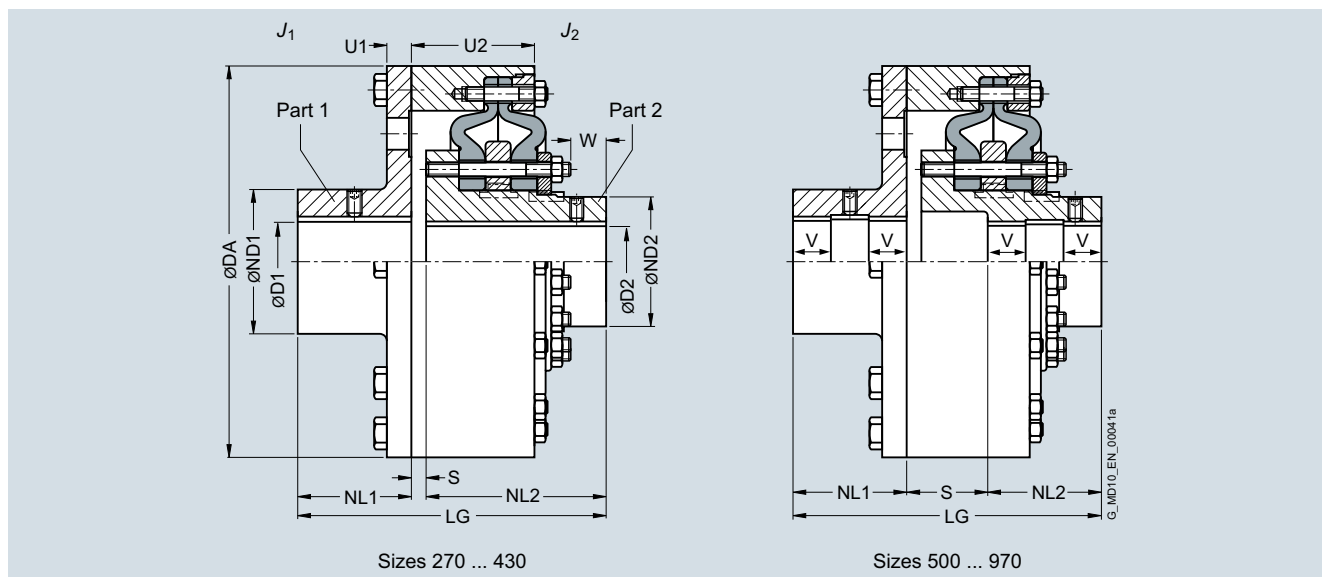
Correction factor FKV	Speed in rpm			
	500	1000	1500	3000
	1.6	1.25	1.0	0.7

FLENDER Standard Couplings

Highly Flexible Couplings – ELPEX Series

Types ENG/ENGs

Selection and ordering data



Size	Rated torque T_{KN} Nm	Max. speed n_{Kmax} rpm	Dimensions in mm													Mass moment of inertia		Article No. with order codes for bore diameter and tolerances (article number without "-Z") - selection in catalog part 3	Weight m kg					
			Keyway DIN 6885		D1		D2		DA	ND1	ND2	NL1	NL2	S	U1	U2	LG			W	J_1	J_2		
			min.	max.	min.	max.												kgm ²	kgm ²					
270	1600	3000	4250	45	80	45	70	270	128	94	80	155	10	14	86	245	42	0.21	0.037	2LC0200-3A	0AA0	29		
320	2800	2500	3600	55	100	55	85	320	160	115	100	180	6	16	97.5	286	48	0.49	0.082	2LC0200-4A	0AA0	50		
375	4500	2100	3100	65	115	65	105	375	184	143	120	205	10	18	111.8	335	62	1.0	0.21	2LC0200-5A	0AA0	80		
430	7100	1900	2650	75	130	75	120	430	208	165	140	235	8	22	126	383	68	2.0	0.37	2LC0200-6A	0AA0	113		
500	11200	1600	2300	90	150	90	150	500	240	202	160	160	112	25	139.7	432	80	3.9	0.85	2LC0200-7A	0AA0	174		
590	18000	1360	2000	100	140	100	170	590	224	230	190	190	130	28	162.7	510	95	8.2	1.7	2LC0200-8A	0AA0	254		
				140	180						288									8.4		2LC0200-8A	0AA0	284
690	28000	1200	1650	110	140	110	200	690	224	278	220	220	140	32	175.6	580	102	16.3	3.7	2LC0201-0A	0AA0	350		
				140	180						288									16.8		2LC0201-0A	0AA0	370
				180	210						336									16.9		2LC0201-0A	0AA0	385
840	45000	1000	1350	140	180	140	240	840	288	340	280	280	125	42	231	685	105	49	11	2LC0201-1A	0AA0	700		
				180	220						352									50		2LC0201-1A	0AA0	725
970	90000	850	1180	160	200	160	280	970	320	390	350	350	167	70	290	867	137	104	26	2LC0201-2A	0AA0	1265		
				200	240						384									106		2LC0201-2A	0AA0	1310
				240	280						448									110		2LC0201-2A	0AA0	1350
				280	320						512									115		2LC0201-2A	0AA0	1410

Type	<ul style="list-style-type: none"> • ENG cast iron • ENG steel • ENGs cast iron • ENGs steel 	F L G M
ØD1:	<ul style="list-style-type: none"> • Without finished bore – Without order codes • Without finished bore from size 590 for 2nd diameter range D1 – Without order codes • Without finished bore from size 690 for 3rd diameter range D1 – Without order codes • Without finished bore for size 970 for 4th diameter range D1 – Without order codes • With finished bore – With order codes for diameter and tolerance (article number without "-Z") 	1 2 3 4 9
ØD2:	<ul style="list-style-type: none"> • Without finished bore – Without order codes • With finished bore – With order codes for diameter and tolerance (article number without "-Z") 	1 9

The hub diameter of the component part is assigned according to the diameter of the finished bore. Where bore diameters overlap, the component with the smaller hub diameter is always selected.

Weights and mass moments of inertia apply to cast iron version with maximum bore.

From size 500, the bores D1 and D2 are each provided with a recess of D = +1 mm halfway along the hub. $V \approx 1/3 NL$

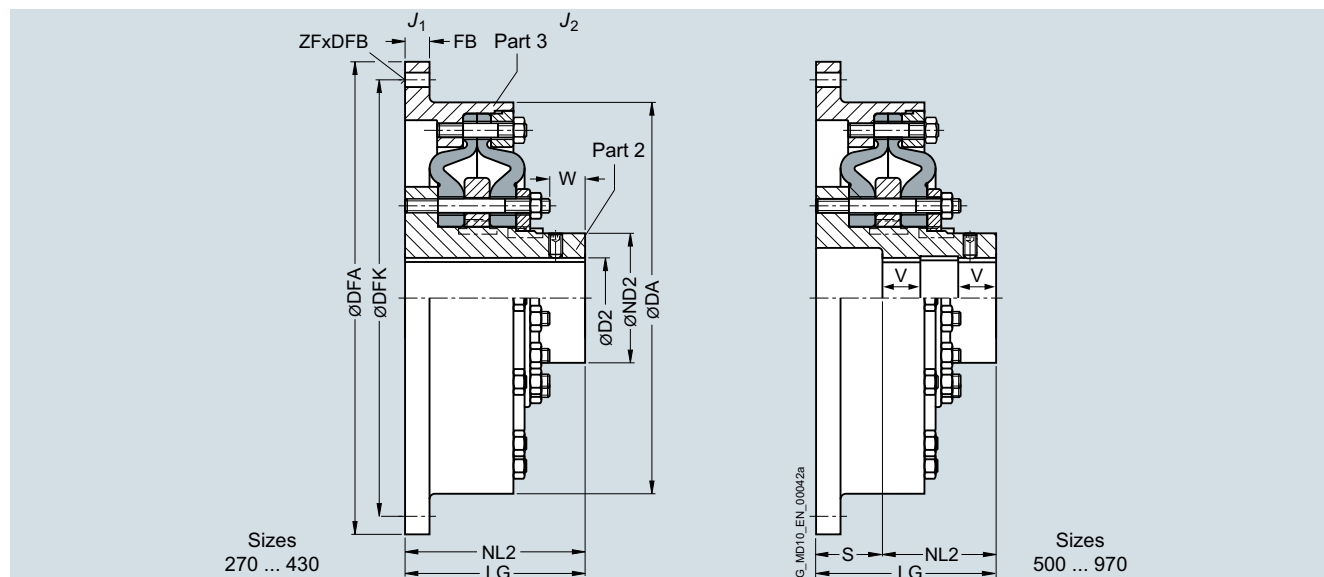
Ordering example:
ELPEX coupling ENG, size 690, cast iron version, bore ØD1 = 180H7 mm with keyway to DIN 6885 and set screw, the hub diameter ND1 = 288 mm is thus assigned; bore ØD2 200H7 mm, with keyway to DIN 6885 and set screw, the hub diameter ND2 = 278 mm is thus assigned.

Article No.:
2LC0201-0AF99-0AA0
L2B+M2D

FLENDER Standard Couplings Highly Flexible Couplings – ELPEX Series

Types EFG/EFGS

Selection and ordering data



Size	Rated torque T_{KN} Nm	Max. speed n_{kmax} rpm	Dimensions in mm		Flange connection dimensions ¹⁾										Mass moment of inertia J_1 J_2 kgm ²	Article No. with order codes for bore diameter and tolerances (article number without "-Z") – selection in catalog part 3	Weight m kg			
			Keyway DIN 6885		D2	DA	ND2	NL2	S	LG	W	DFA	DFK	FB				ZF	DFB	
		Type Cast iron Steel	min.	max.																
270	1600	3000	4250	45	70	270	94	155	-	155	42	466.7 _{0.7} ¹⁾	438.2 ¹⁾	12	8	13	0.47	0.037	2LC0200-3A 2 ■ -0AA0	27
												325 ₆	300	8	14	0.16	2LC0200-3A 1 ■ -0AA0	19		
320	2800	2500	3600	55	85	320	115	180	-	180	48	517.5 _{0.7} ¹⁾	489 ¹⁾	14	8	13	0.87	0.082	2LC0200-4A 2 ■ -0AA0	42
												392 ₆	360	8	18	0.39	2LC0200-4A 1 ■ -0AA0	33.5		
375	4500	2100	3100	65	105	375	143	205	-	205	62	571.5 _{0.7} ¹⁾	542.9 ¹⁾	16	6	17	1.5	0.21	2LC0200-5A 2 ■ -0AA0	65
												448 ₆	415	8	18	0.78	2LC0200-5A 1 ■ -0AA0	53		
430	7100	1900	2650	75	120	430	165	235	-	235	68	673.1 _{0.7} ¹⁾	641.4 ¹⁾	20	12	17	3.4	0.37	2LC0200-6A 2 ■ -0AA0	100
												515 ₆	475	8	22	1.5	2LC0200-6A 1 ■ -0AA0	78		
500	11200	1600	2300	90	150	500	202	160	100	260	80	673.1 _{0.7} ¹⁾	641.4 ¹⁾	20	12	17	4.0	0.85	2LC0200-7A 2 ■ -0AA0	150
												585 ₆	545	10	22	2.7	2LC0200-7A 1 ■ -0AA0	140		
590	18000	1350	2000	100	170	590	230	190	120	310	95	733.4 _{0.7} ¹⁾	692.2 ¹⁾	24	12	21	7.0	1.7	2LC0200-8A 2 ■ -0AA0	200
												692 ₆	645	10	26	6.0	2LC0200-8A 1 ■ -0AA0	190		
690	28000	1200	1650	110	200	690	278	220	130	350	102	890 _{0.7} ¹⁾	850 ¹⁾	24	32	17	15	3.7	2LC0201-0A 2 ■ -0AA0	270
												800 ₆	750	12	26	11	2LC0201-0A 1 ■ -0AA0	250		
840	45000	1000	1350	140	240	840	340	280	115	395	105	1105 _{0.7} ¹⁾	1060 ¹⁾	30	32	21	46	11	2LC0201-1A 2 ■ -0AA0	530
												960 ₆	908	16	30	32	2LC0201-1A 1 ■ -0AA0	470		
970	90000	850	1180	160	280	970	390	350	155	505	137	1385 _{0.7} ¹⁾	1320 ¹⁾	35	24	31	130	26	2LC0201-2A 2 ■ -0AA0	1050
												1112 ₆	1051	16	35	76	2LC0201-2A 1 ■ -0AA0	920		

Type	<ul style="list-style-type: none"> EFG cast iron EFG steel EFGS cast iron EFGS steel 	B
ØD2:	<ul style="list-style-type: none"> Without finished bore – Without order codes With finished bore – With order codes for diameter and tolerance (article number without "-Z") 	J
		C
		K
		1
		9

The hub diameter of the component part is assigned according to the diameter of the finished bore. Where bore diameters overlap, the component with the smaller hub diameter is always selected.

Weights and mass moments of inertia apply to cast iron version with maximum bore.

From size 500, the bores D1 and D2 are each provided with a recess of D = +1 mm halfway along the hub. $V \approx 1/3 NL$

Notice: The application factor FB in the coupling selection section must be noted.

Ordering example:
ELPEX EFG coupling, size 430, steel version, bore ØD1 = 100H7 mm with keyway to DIN 6885 and set screw, flange to SAE J620d size 21 with DFA = 673.5g7 mm.

Coupling balanced G6.3 in accordance with the half parallel key standard.

Article No.:
2LC0200-6AJ29-0AA0-Z
M1N+W02

¹⁾ The top line of the flange connection dimensions in accordance with the SAE J620d or DIN 6288 standards.

FLENDER Standard Couplings

Highly Flexible Couplings – ELPEX Series

Spare and wear parts

Selection and ordering data

Flexible rings

The flexible rings are wear parts. The service life depends on the operating conditions.

Size	Article No. Flexible rings for a coupling	Weight kg	Types EFG, ENG Flexible ring screw connection set of pins and bolts	Types EFGS, ENGS Flexible ring screw connection set of pins and bolts
270	2LC0200-3XV00-0AA0	1.6	2LC0200-3XU00-0AA0	2LC0200-3XW00-0AA0
320	2LC0200-4XV00-0AA0	2.6	2LC0200-4XU00-0AA0	2LC0200-4XW00-0AA0
375	2LC0200-5XV00-0AA0	4.4	2LC0200-5XU00-0AA0	2LC0200-5XW00-0AA0
430	2LC0200-6XV00-0AA0	6.8	2LC0200-6XU00-0AA0	2LC0200-6XW00-0AA0
500	2LC0200-7XV00-0AA0	9.4	2LC0200-7XU00-0AA0	2LC0200-7XW00-0AA0
590	2LC0200-8XV00-0AA0	18	2LC0200-8XU00-0AA0	2LC0200-8XW00-0AA0
690	2LC0201-0XV00-0AA0	36	2LC0201-0XU00-0AA0	2LC0201-0XW00-0AA0
840	2LC0201-1XV00-0AA0	68	2LC0201-1XU00-0AA0	2LC0201-1XW00-0AA0
970	2LC0201-2XV00-0AA0	120	2LC0201-2XU00-0AA0	2LC0201-2XW00-0AA0

Fluid Couplings FLUDEX Series



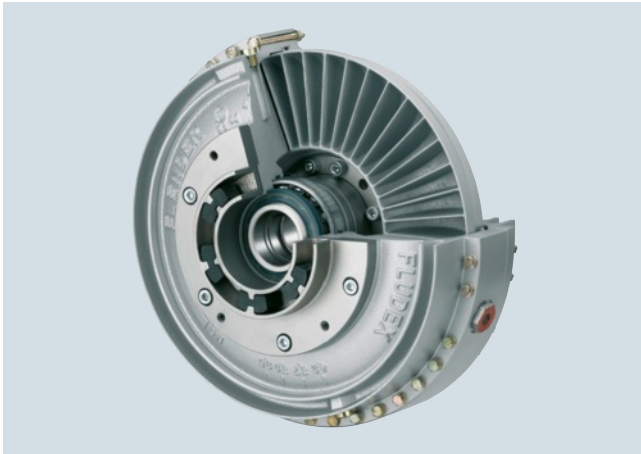
13/2	Overview	13/27	Types FGD/FVD Selection and ordering data
13/2	Benefits	13/27	
13/2	Application	13/28	Types FGE/FVE Selection and ordering data
13/2	Design	13/28	
13/5	Function	13/29	Types FGM/FVM Selection and ordering data
13/6	Technical data	13/29	
13/7	Configuration	13/30	Oil filling quantities for FG/FV series Selection and ordering data
13/7	Selection of coupling	13/30	
13/7	Selection of series	13/32	Type FNO Selection and ordering data
13/10	Selection of type	13/32	
13/11	Selection of size	13/33	Type FNA Selection and ordering data
13/12	FLUDEX coupling as aid to starting IEC motors	13/33	
13/12	Selection and ordering data	13/34	Type FND Selection and ordering data
13/12	Speed $n = 1500$ rpm	13/34	
13/14	Speed $n = 3000$ rpm	13/35	Type FNDB Selection and ordering data
13/16	Type FAO	13/35	
13/16	Selection and ordering data	13/37	Type FNDS SB Selection and ordering data
13/17	Type FAR with attached V-belt pulley	13/37	
13/17	Selection and ordering data	13/38	Type FNDS HB Selection and ordering data
13/18	Type FAD	13/38	
13/18	Selection and ordering data	13/39	Oil filling quantities for FN series Selection and ordering data
13/19	Type FAE	13/39	
13/19	Selection and ordering data	13/41	Spare parts Selection and ordering data
13/20	Type FAM	13/41	
13/20	Selection and ordering data	13/45	Mass moments of inertia and maximum oil filling quantities Technical data
13/21	Type FADB	13/45	
13/21	Selection and ordering data	13/48	Special types Selection and ordering data
13/22	Type FADS SB	13/48	
13/22	Selection and ordering data	13/50	Form Technical specifications for the selection of type and size for FLUDEX fluid couplings
13/23	Type FADS HB		
13/23	Selection and ordering data		
13/24	Oil filling quantities for FA series		
13/24	Selection and ordering data		
13/26	Types FGO/FVO		
13/26	Selection and ordering data		

FLENDER Standard Couplings

Fluid Couplings – FLUDEX Series

General information

Overview



Coupling suitable for use in potentially explosive atmospheres.

Complies with the current ATEX Directive for:

CE Ex II 2 G c T3 IIB -30 °C ≤ T_a ≤ +50 °C
II 2 D T160 °C -30 °C ≤ T_a ≤ +50 °C

CE Ex I M2

For Ex zones 2 and 22, device category 3 is available upon request:

CE Ex II 3 Gc T4 D120 °C II B

FLUDEX couplings marked with Ex are constructed with fusible safety plugs 110 °C.

Benefits

FLUDEX couplings are hydrodynamic fluid couplings which operate on the Föttinger principle. The coupling parts on the input and output sides are not mechanically connected to each other. Output is transmitted via the oil filling which rotates in the coupling and is conducted over radially arranged blades.

FLUDEX couplings limit starting and maximum torque in the drive train and, through the property of rotational slip, serve as an aid to starting the motor, as overload protection in the event of fault and for isolating torsional vibration.

When large masses are started up, the drive train is accelerated only at the torque determined by the coupling characteristic. The starting operation is spread over time, the driven machine started softly and smoothly.

In the case of special operating conditions, such as overload or blocking of the driven machine, the FLUDEX coupling limits the maximum torque load and prevents the inert effect of the rotating motor mass on the drive train.

The coupling then acts as a load-holding safety clutch until the drive is shut off by the motor control or coupling monitoring system.

The FLUDEX coupling further acts as a means of decoupling during torsional vibration excitation. Torsional vibration excitation with a frequency of > 5 Hz is virtually absorbed by the coupling.

To compensate for shaft misalignment, the FLUDEX coupling is combined with a displacement coupling e.g. of the N-EUPEX type.

All FLUDEX couplings are designed with radial unset blades and are therefore suitable for rotation in both directions and reversing operation. They can be fitted horizontally, at an angle or vertically. In the case of FLUDEX couplings with a delay chamber it must be ensured, when fitting at an angle or vertically, that the delay chamber is below the working chamber.

Application

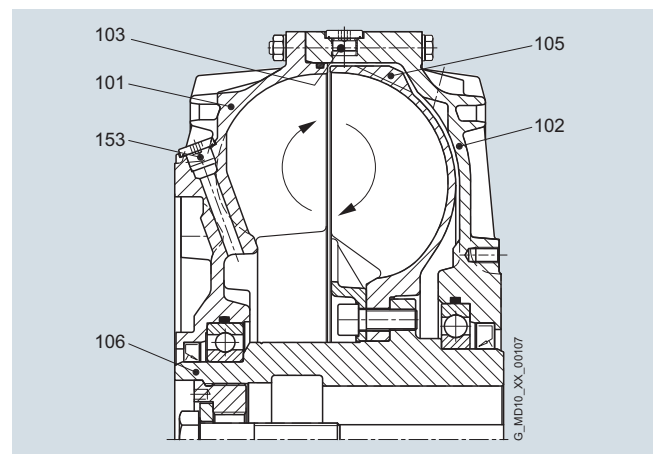
FLUDEX couplings are used in drives for conveyor systems such as belt conveyors, bucket elevators and chain conveyors. In heavy industry FLUDEX couplings are used for applications such as blade wheel drives, crushers, roller presses, mixers, large ventilators, boiler feed pumps, large compressors, centrifuges and auxiliary drives for mills.

Further applications are, for example, pump drives, PTO generator drives, windpower systems and door and gate drives.

In drives with diesel engine FLUDEX couplings are used on driven machines with a high mass moment of inertia.

Design

FLUDEX couplings are constructed of just a few, robust components. Internal components include the hollow shaft or solid shaft (106), to which the blade wheel (105) is connected. The outer housing comprises the cover (102) and the blade wheel housing (101). The joint is constructed as a bolted flange joint and sealed with an O ring. The outer housing and the shaft or hollow shaft have double bearing support and are sealed off to the outside with radial shaft seals. The coupling is provided with two filler plugs (153) with integral overflow protection and with one or two fusible safety plugs (103) in the coupling housing for protection against overheating. The fusible safety plug or a screw plug fitted in the same position also serves as a fluid drain plug and with the aid of a scale marking on the housing can be used as a level indicator.



G_MD10_XX_00107

FLENDER Standard Couplings Fluid Couplings – FLUDEX Series

General information

Materials

Blade wheel and housing

Cast aluminum AISi10Mg or AISi9Mg

Shaft and hollow shaft

Steel with a yield point higher than 400 N/mm²

Static seals and radial shaft seals

Perbunan NBR or Viton FPM

Add-on parts

Grey cast iron EN-GJL-250, spheroidal graphite cast iron EN-GJS-400 or steel

Fusible safety plugs

If a FLUDEX coupling is operated with an impermissibly high slip for a prolonged period, the oil filling and the coupling housing will overheat. Fusible safety plugs which release the oil filling into the environment upon reaching a preset temperature are therefore fitted in each coupling housing. These protect the coupling from irreparable damage through overheating or overpressure and disconnect the drive motor from the driven machine.

Thermal switching equipment

By adding thermal switching equipment leakage and loss of the hydraulic fluid as well as a risk to and contamination of the environment in the event that the coupling overheats can be avoided.

The thermal switching equipment does not work if a machine side is blocked and the coupling housing is connected to this side. If the coupling is stationary, the switching pin cannot actuate the switching equipment.

The thermal switching equipment comprises the thermal switch and the switchgear.

The switchgear comprises a limit switch with a make-and-break contact and a swiveling cam. Limit switch and cam are mounted on a common base plate. The thermal switch is screwed into the housing in place of a screw plug. The fusible safety plug (with a higher response temperature) remains in the coupling for additional safety.

If the set temperature is exceeded, the switching pin is released from the fusible element, emerges 10 mm from the housing and actuates the switchgear while the coupling is rotating. The switchgear can cut out the drive motor and/or trigger an optical or acoustic alarm signal.

The housing of the coupling remains closed and no operating fluid will escape.

Assignment

Continuous operating temperature	Thermal switch	Fusible safety plug
≤ 85 °C	110 °C	140 °C
> 85 ° ... 110 °C	140 °C	160 °C

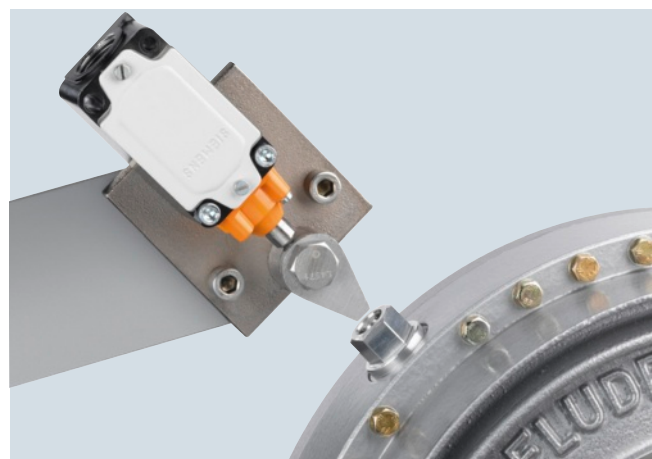
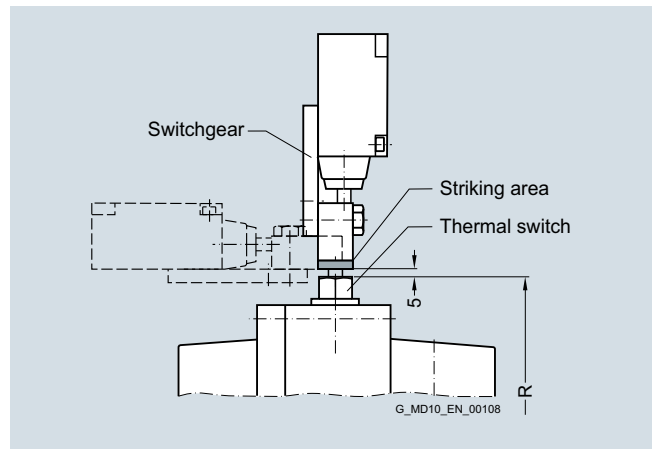
Thermal equipment

Equipment	Suitability	Fusible safety plug	Sealing material	Additional order info "-Z" with order code
	1	110 °C	NBR	F01
			FPM	F05
Standard	1	140 °C	NBR	–
			FPM	F07
	2	160 °C	FPM	F08
ATEX	1	110 °C ex	NBR	F02
			FPM	F06
With thermal switch ¹⁾	1	140 °C + thermal switch 110 °C	NBR	F03
			FPM	F10
	2	160 °C + thermal switch 140 °C	FPM	F11
With transmitter ¹⁾	1	160 °C + EOC transmitter (125 °C)	NBR	F04
			FPM	F12
				F25
Incl. sensor and evaluation instrument				F26

¹⁾ Not available for size 222.

Suitability:

- 1** = Suitable for continuous coupling operation temperatures up to 85 °C
- 2** = Suitable for continuous coupling operation temperatures up to 110 °C



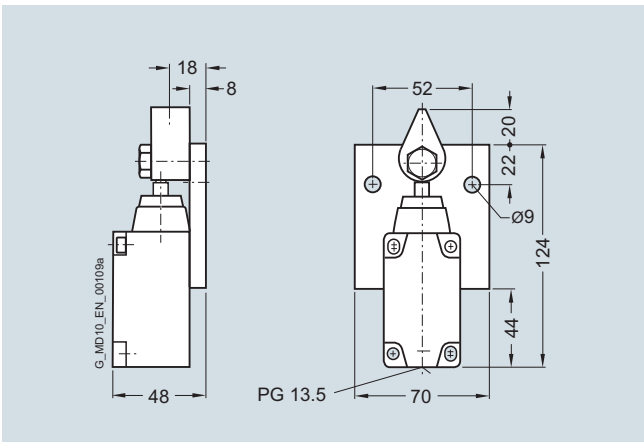
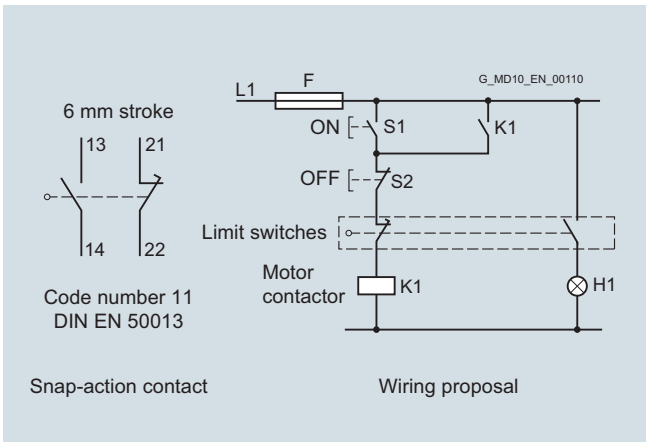
	Size												
	297	342	370	395	425	450	490	516	565	590	655	755	887
Perm. speed in rpm	2500	2240	2100	2000	1900	1800	1650	1600	1500	1450	1250	1100	1000
Radius of travel R in mm	188	215	226	239	251	271	292	307	330	346	383	435	507

From coupling size 297, the thermal switching equipment can be used up to a peripheral speed of 50 m/s. At higher speeds, an EOC system should be provided.

FLENDER Standard Couplings

Fluid Couplings – FLUDEX Series

General information

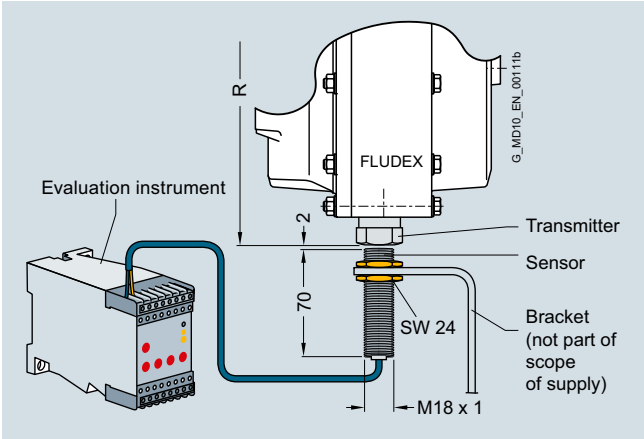
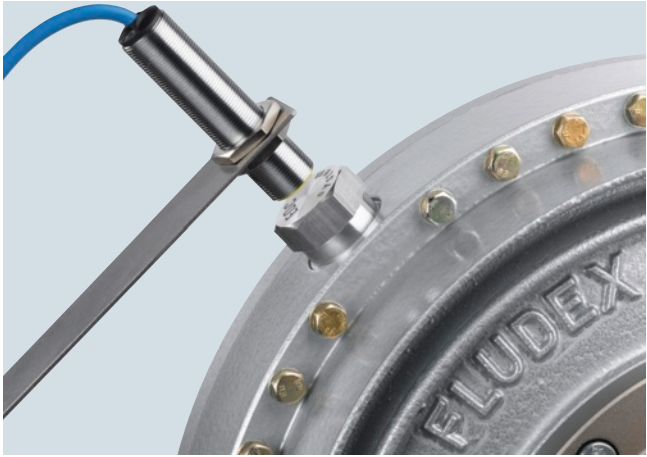


Switchgear: FFA:000000652020

EOC system

On the EOC system the temperature-dependent magnitude of the magnetic field of the EOC transmitter is measured and used for a switching pulse. The transmitter signal is transmitted via the fixed sensor to the evaluation instrument and there compared with the set value. If the signal does not exceed the minimum value or no signal is received, the relay of the evaluation instrument switches over. This can cause a malfunction message to be sent and the motor cut out. The coupling housing remains closed. The fusible safety plug with a higher response temperature remains in the coupling for additional safety.

The response temperature of the EOC system is 125 °C.

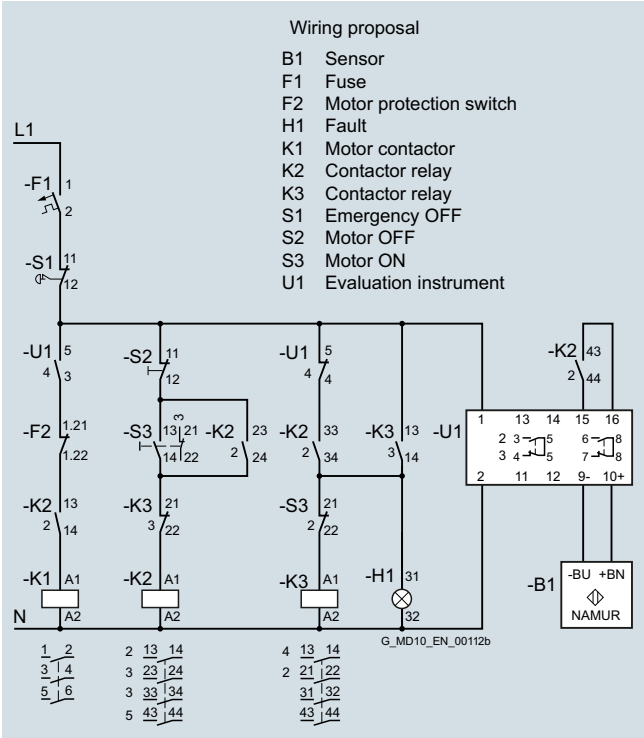


Radius of travel R to the transmitter

Size	297	342	370	395	425	450	490	516	565	590	655	755	887
R in mm	188	215	226	239	251	271	292	307	330	346	383	435	507

Components of the EOC system

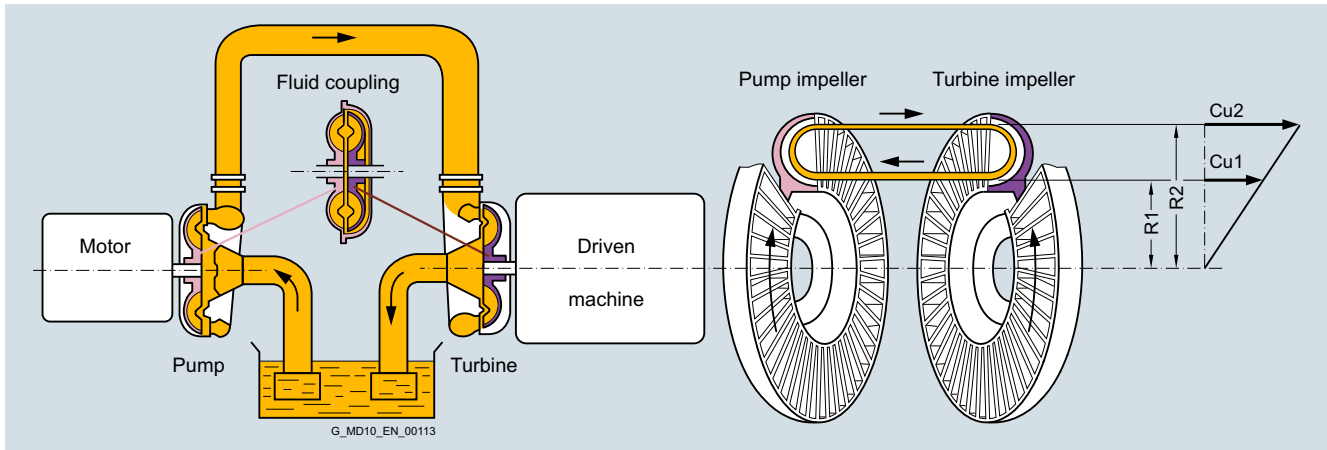
Component	Article No.
EOC transmitter with seal	FFA:000001194899
Sensor EOC	FFA:000000361460
Evaluation instrument EWD	FFA:000001205294



13

Function

Föttinger principle



Two opposing, radially bladed impellers are housed in a leak-proof housing. The impellers are not mechanically connected to each other. Because of the axially parallel arranged blades, the torque is transmitted independently of the direction of rotation and solely by the oil filling.

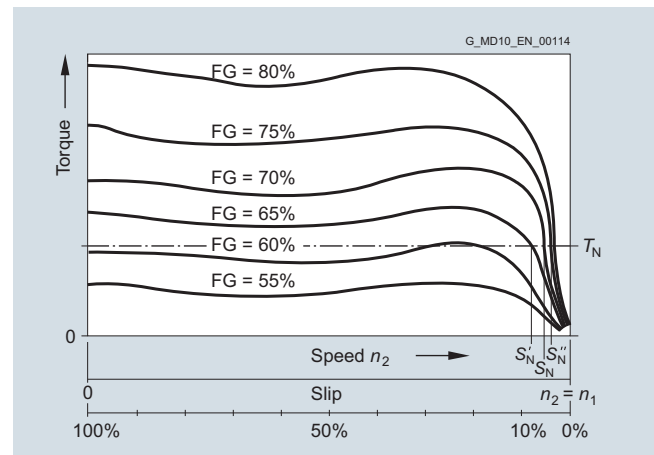
Hydrodynamic couplings have the characteristic properties of fluid flow engines. The transmissible torque depends on the density and quantity of the operating fluid and increases as the square of the drive speed and the fifth power of the profile diameter denoting the coupling size. In the driven pump impeller, mechanical energy is converted into kinetic flow energy of the operating fluid. In the turbine impeller, which is connected to the output side, flow energy is converted back to mechanical energy.

To generate the operating fluid circulation necessary for torque transmission, a difference in speed is necessary between the pump and turbine impellers. A centrifugal force pressure field is set up that is greater in the faster rotating pump impeller than in the turbine impeller. The difference in speed, usually termed "slip", at the continuous operating point of the coupling is between 2 % and 6 %, depending on application and coupling size. Immediately after drive motor start-up slip is 100 %, i.e. the pump impeller is driven at the speed of the motor, but the turbine impeller remains stationary.

Slip multiplied by the transmitted power represents the power loss of the coupling, which is converted into heat inside the oil filling. The amount of heat generated must be released into the environment via the coupling housing to prevent an impermissible temperature rise. The rated coupling output is mainly determined by the power loss which can be dissipated at a still acceptable operating temperature or a reasonable set slip limit. This distinguishes the FLUDEX coupling from all positively acting coupling assembly options for which the rated coupling torque is the defining characteristic.

Depending on the FLUDEX coupling series, drive is via the inner rotor (shaft/hollow shaft with rigidly connected blade wheel) or via the bladed housing impeller (blade wheel housing). The driving impeller is the pump impeller, and the driven impeller is the turbine impeller.

A low-viscosity mineral oil VG 22/VG 32, which also serves to lubricate the bearings, is used as fluid. In special types water, a water emulsion or low-flammability fluid may be used as a non-combustible fluid.



Slip-torque characteristics for different filling levels FG

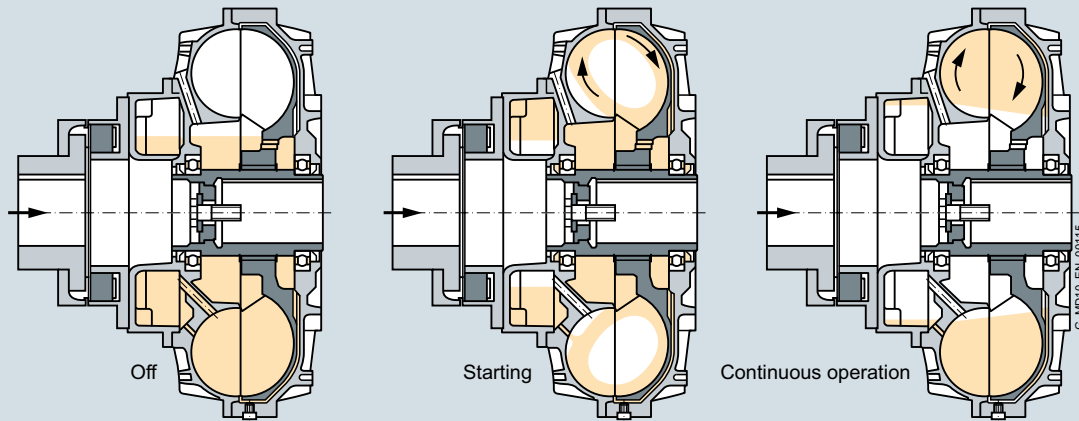
The torque characteristic depends on the oil filling quantity FG in the coupling. This enables the transmissible torque on starting up to be set via the filling level. With a higher filling level the starting torque increases, while the operating slip and thus the coupling temperature rise decreases.

Conversely, with a lower filling level the starting torque decreases, the coupling becomes softer, while slip and coupling temperature rise.

FLENDER Standard Couplings

Fluid Couplings – FLUDEX Series

General information



Operation of the delay chamber

Starting torque can be reduced without increasing continuous operating slip by using a type of coupling with a delay chamber. On these couplings part of the oil filling is initially stored inactively in the delay chamber. The starting torque is considerably reduced because of the thus reduced starting filling in the work-

ing chamber of the coupling. The filling in the delay chamber runs very slowly, mostly only at the finish of the starting operation, from the delay chamber into the working chamber, causing the active filling in it to rise gradually and the continuous operating slip to reach a value corresponding to the whole filling.

Technical data

Balancing FLUDEX couplings

In deviation from the balancing specifications in catalog section 2, all FLUDEX couplings complying with DIN ISO 1940 are balanced to balancing quality G6.3 for 1800 rpm. For operating speeds higher than 1800 rpm micro-balancing, based on operating speed, can be requested (order code +W03 required).

Balancing is a two-level balancing with the specified oil quantity or a 75 % filling.

FLUDEX couplings are balanced in accordance with the half parallel key standard. Other balancing standards must be specified in the order, using the article number key (see catalog section 2).

Add-on couplings are subject to the standards as set out in catalog section 2.

Oil filling

FLUDEX couplings can be delivered with or without oil filling.

- Delivery without oil filling:
without order code
- Delivery with oil filling:
article number with "-Z" and order code "F16" and "Y90" with plain text specification of the oil filling quantity in liters.
- Delivery without oil filling but with oil filling quantity specification: Article number with "-Z" and order code "Y90" with plain text specification of the oil filling quantity in liters.

Hollow shafts of the FA, FG and FV series

Variant of FLUDEX hollow shafts only with finished bore:
Order code for bore diameter is required.

Operating temperature range of FLUDEX couplings

FLUDEX couplings are suitable for ambient temperatures of between -40 °C and +40 °C.

For use at temperatures below -15 °C, FLUDEX couplings are exclusively delivered with NBR seals (Perbunan).

For use at temperatures below -20 °C, FLUDEX couplings are generally delivered without oil filling.

For the selection of the operating oil for low temperatures, attention must be paid to a sufficient low freezing point of the oil and his compatibility to sealing elements.

The temperature limits of the N-EUPEX add-on coupling are shown in part 7 of this catalogue.

If other displacement couplings are combined with a FLUDEX coupling, their respective temperature limits must be taken into account.

Operating conditions for FLUDEX couplings in potentially explosive atmospheres

The coupling with fusible safety plugs with identity marking Ex T3 is suitable for the operating conditions set out in the current ATEX Directive:

- Equipment group II (above-ground applications) temperature class T3 of categories 2 and 3 for environments where there are potentially explosive gas, vapors, mist and air mixtures and for environments where dust can form potentially explosive atmospheres.
- Equipment group I (below-ground applications) of category M2 Ex If used in potentially explosive environments under ground, aluminum couplings must be provided with a robust enclosure to preclude the risk of ignition caused by e.g. friction, impact or friction sparks. The deposit of heavy-metal oxides (rust) on the coupling housing must be prevented by the enclosure or other suitable means.

Ex FLUDEX couplings can be delivered with fitted brake disk or V-belt pulley. Designing the belt drive or the brake disk to conform with the guidelines is the responsibility of the subassembly supplier. It should be noted that there is a risk from, amongst other things, electrostatic charges and hot surfaces. Under BGR 132 (regulations of German Institute for Occupational Safety) the use of V-belts in conjunction with IIC gases is not permitted.

Axial retention

Axial retention is provided by a set screw or end washer with a retaining screw for shaft ends to DIN 748/1 long with a centering thread to DIN 332/2. Other methods must be specified in the order, using the article number with "-Z" and order code "Y99" with plain text specification, unless ordering options are available.

Bore and keyway width tolerances are specified in catalog section 15.

Weights specified in the dimension order tables apply to maximum bore diameters without oil filling.

Configuration

Selection of FLUDEX coupling

In accordance with the requirements catalog various series, sizes and types of FLUDEX coupling are available. The FLUDEX coupling series is characterized by various flow chamber configurations, fitted delay chambers or fittings in the flow chamber. The types are determined by the design of the add-on coupling. This results in different starting factors and characteristics which

can be used for the most varied applications. The size is specified by stating the flow outside diameter.

When selecting, the series required for the application, taking into account the starting factor and the characteristic, must be selected.

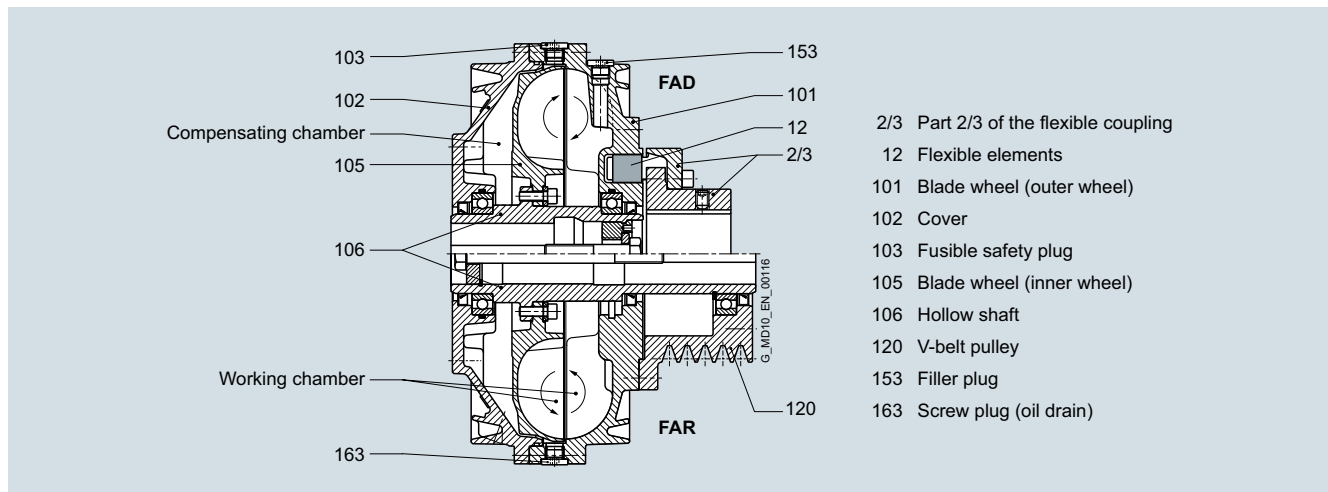
Selection of FLUDEX series

FLUDEX couplings which are to be used without special conditions solely as an aid to starting the motor can be selected using the assignment tables on page 13/12 (for $n = 1500$ rpm) or page 13/14 (for $n = 3000$ rpm).

If special requirements, based on the operating method of the prime mover or driven machine, are made of the coupling or the coupling is to be used in extreme environmental conditions, please give specific details in the enquiry or order. The form "Technical specifications for the selection of type and size" can be used for this purpose.

Description of the FLUDEX series

FA series – drive via the hollow shaft (impeller drive)



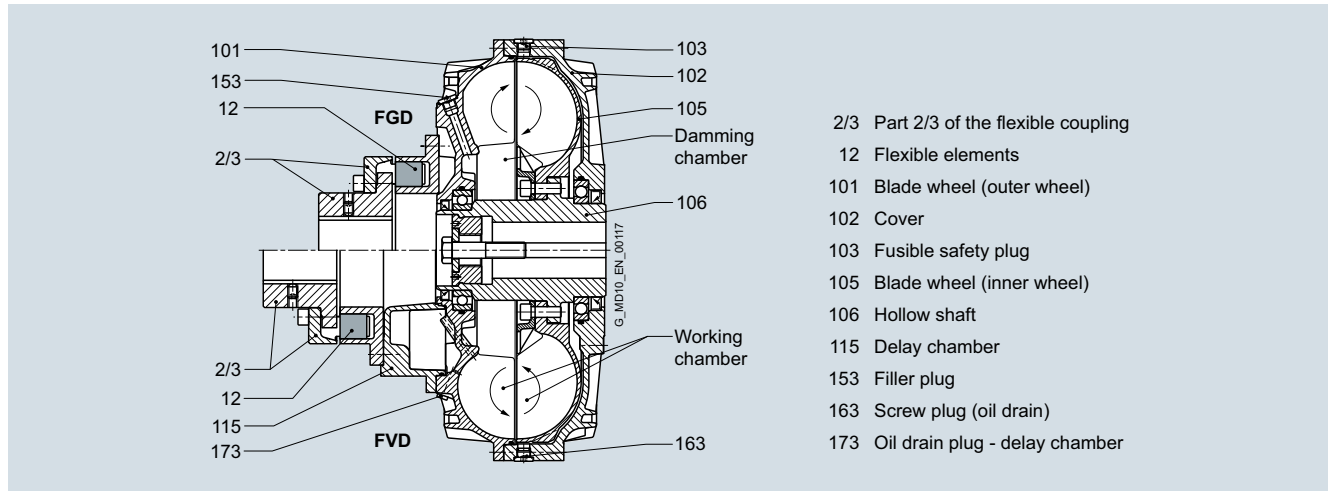
FLUDEX FA series couplings are basic couplings (without delay chamber) which are driven via the hollow shaft (106) with attached blade wheel (105). This enables the advantages of the compensating chamber and the working chamber to be used to best effect. Combinations with brake drums/disks and pulleys can also be easily achieved. When the coupling is started, part of the oil filling in the area of greatest slip is forced into the radially inner chambers and the compensating chamber by the strong rotational flow. This causes the effective oil filling in the working chamber to be reduced and the desired torque limitation (approx. twice T_N) to be achieved during starting. By means of additional fittings the coupling torque at the start of the starting operation can be limited to approx. 1.5 times of the rated value. During run-up to speed the compensating chamber again empties into the working chamber, and this helps to reduce slip.

FLENDER Standard Couplings

Fluid Couplings – FLUDEX Series

General information

FG and FV series – drive via the housing



FLUDEX FG and FV series couplings are designed for drive via the coupling housing. In the FV series (coupling with delay chamber), the motor drives the coupling housing, comprising a blade wheel (101) and a cover (102), via the flexible N-EUPEX coupling (part 2/3) and the delay chamber (115). The rotational flow of the coupling filling drives the blade wheel (105) and the hollow shaft (106) on the output side, which is mounted on the gear unit or driven machine shaft. In the FG series (basic coupling), there is no delay chamber, and the flexible coupling is directly flange-mounted on the blade wheel.

When the coupling is started up, part of the oil filling is forced into the damming chamber. This enables the desired torque limitation (approx. twice T_N) to be achieved during motor starting. In the FV series the delay chamber also receives part of the oil filling in accordance with the fluid level when the coupling is stationary. During starting the effective oil filling in the working chamber is reduced by the amount of fluid in the delay chamber,

thus considerably reducing the starting torque (approx. 1.5 times T_N). From the delay chamber located on the drive side, the oil is fed back time-dependently to the working chamber via small holes and the coupling torque is raised, even if the output is blocked.

This replenishing function enables a drive to be soft-started with a very low starting torque and with an almost load-free motor. At the same time, however, increased load torques can be overcome by the torque increase in the coupling.

The property of the coupling with delay chamber can be used advantageously, for example, to soft-start empty, partly loaded and fully loaded conveyor belts.

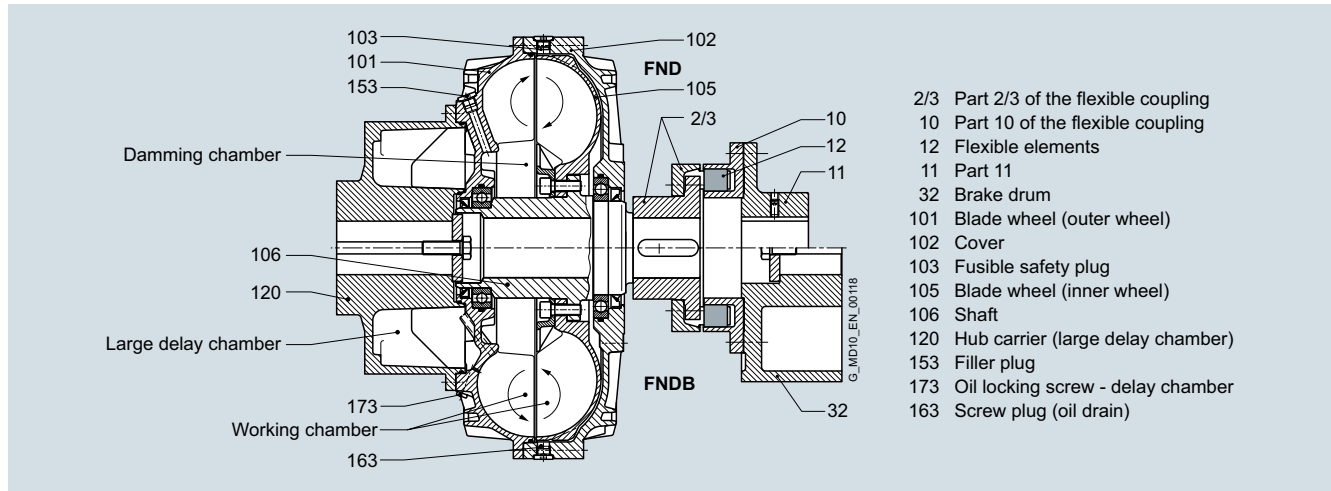
FG series couplings are used for normal starting torque limitation, as a starting clutch for isolating vibration and for overload limitation in the event of drive blockage.

FLUDEX Standard Couplings

Fluid Couplings – FLUDEX Series

General information

FN series – drive via the housing

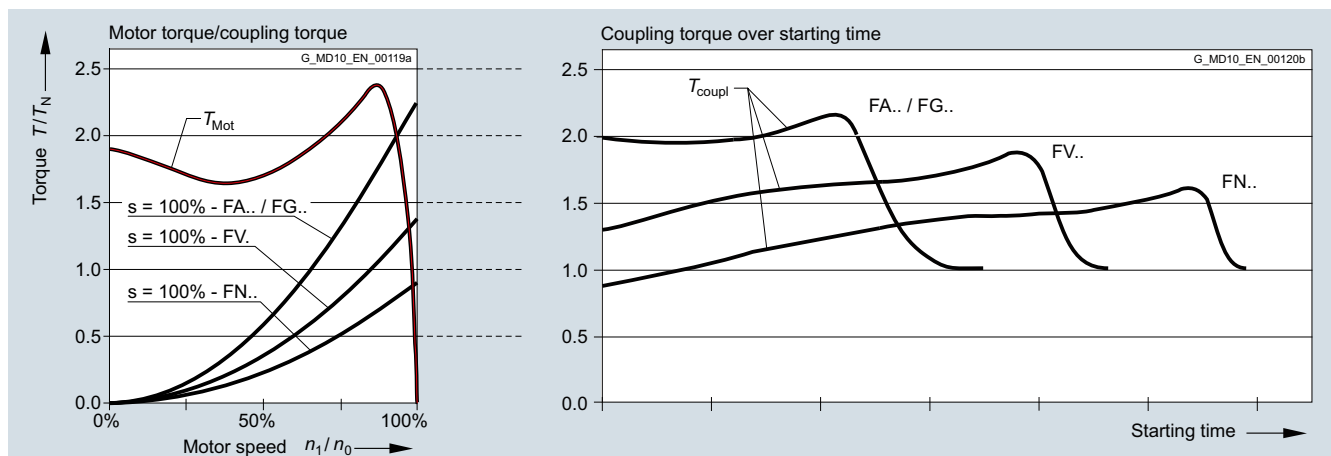


FLUDEX FN series couplings have a larger delay chamber than the FV series. The delay chamber is designed as a hub carrier (120) and is mounted on the motor shaft. The hub carrier is flange-fitted to the housing (101, 102) of the FLUDEX coupling. Output is via the blade wheel (105) and the shaft (106) to the flexible N-EUPEX coupling connecting to the gear unit or driven machine. With types FND, FNDB and FNDS the coupling can be dismantled radially without moving the coupled machines.

Because of the larger delay chamber, FN couplings enable even softer starting than FV couplings. Torque limitation during motor starting is approx. 1.3 times T_N . A further advantage of types FNDB and FNDS is the favorable weight distribution.

The normally stronger motor shaft bears the weight of the hub carrier (cast version) and the main coupling. The gear unit shaft carries only the brake drum or disk and the output-side part of the flexible coupling. At the same time, the principle of the drive-side delay chamber with the capacity for increasing torque time-dependently is retained. FN couplings have the same fields of application as FV couplings. However, they offer special advantages in the brake disk design because of the weight distribution.

Depending on the series selected, different starting characteristics arise during starting.



FLUDEX series:

Series	Description
FA../FG..	Basic coupling without delay chamber
FV..	Coupling with delay chamber
FN..	Coupling with large delay chamber

FLENDER Standard Couplings

Fluid Couplings – FLUDEX Series

General information

Selection of FLUDEX type

Listed in the catalog are FLUDEX couplings with pulley, brake drum, brake disk and flexible N-EUPEX coupling.

Further types, e.g. in combination with a torsionally rigid steel

membrane coupling of the ARPEX series or a highly flexible coupling of the ELPEX or ELPEX-S series, are available.

Series	Type	Add-on coupling	Characteristic feature
FA - without delay chamber - impeller-driven - Starting torque: $T_{\max} = 2.0 \times T_{\text{eff}}$ - Starting aid for standard motors and torsional vibration isolation	FAO	Without	Basic coupling with connecting flange
	FAR	Without	with attached pulley
	FAD	N-EUPEX D	¹⁾
	FAE	N-EUPEX E	enables larger bores on the output side
	FAM	N-EUPEX M	enables a short fitting length
	FADB	N-EUPEX D	with brake drum
	FADS SB	N-EUPEX D	¹⁾ with brake disk for stopping brakes
FADS HB	N-EUPEX D	¹⁾ with brake disk for blocking brakes	
FG - without delay chamber - Housing-driven - Starting torque: $T_{\max} = 2.0 \times T_{\text{eff}}$ - Starting aid for standard motors, for torsional vibration isolation and for overload limitation in the event of drive blockage.	FGO	Without	Basic coupling with connecting flange
	FGD	N-EUPEX D	¹⁾
	FGE	N-EUPEX E	enables larger bores on the output side
	FGM	N-EUPEX M	enables a short fitting length
FV - with delay chamber - Housing-driven - Starting torque: $T_{\max} = 1.5 \times T_{\text{eff}}$ - Starting aid for motors and soft-starting of conveyor equipment	FVO	Without	Coupling with connecting flange
	FVD	N-EUPEX D	¹⁾
	FVE	N-EUPEX E	enables larger bores on the output side
	FVM	N-EUPEX M	enables a short fitting length
FN - with large delay chamber - Housing drive via hub carrier - Starting torque: $T_{\max} = 1.3 \times T_{\text{eff}}$ - Starting aid for motors with very unfavorable characteristic and soft-starting of empty and full conveying equipment - favorable weight distribution on brake-drum variant	FNO	Without	Coupling with connecting shaft
	FNA	N-EUPEX A	¹⁾ enables a short fitting length
	FND	N-EUPEX D	^{1) 2)}
	FNDB	N-EUPEX D	^{1) 2)} with brake drum
	FNDS SB	N-EUPEX D	^{1) 2)} with brake disk for stopping brakes
	FNDS HB	N-EUPEX D	^{1) 2)} with brake disk for blocking brakes

The maximum shaft misalignments permissible for an N-EUPEX add-on coupling are shown in catalog section 7. For greater shaft misalignments FLUDEX couplings can be combined with cardan shafts or other displacement couplings.

¹⁾ Enables change of flexible elements without moving the machines axially.

²⁾ Enables the coupling to be fitted or dismantled without displacing the coupled machines.

FLENDER Standard Couplings

Fluid Couplings – FLUDEX Series

General information

Selection of FLUDEX size

The FLUDEX size is determined by the output to be transmitted in comparison with the rated outputs listed in the following tables. No application factors or additional safety factors need be taken into consideration. The rated outputs stated in the tables normally require the maximum permissible filling (80 % to 85 %) of the coupling and because of operating slip, lead to the cou-

pling heating up by approx. 50 °C relative to the ambient (cooling air) temperature. With lower outputs, coupling heating will be proportionately lower. If for continuous operation of the coupling an absolute temperature (ambient temperature + coupling heating) of > 85 °C is expected, the coupling must be fitted with FPM seals and 160 °C fusible safety plugs.

FA series

Speed in rpm															
600	740	890	980	1180	1350	1470	1600	1770	2000	2300	2600	2950	3550		
Rated output P_N in kW															Size
		1.2	1.6	2.8	4.2	5.5	6.9	8.7	11.7	15	19	24	33	222	
1.2	2.3	4	5.5	9	14	18.5	23	29	37	48	60	70	90	297	
2.6	4.8	8.7	11.5	18	27	34	40	51	65	82	97	120	145	342	
5.7	10	16	21	36	49	61	74	87	105	135	165	180		395	
11	21	32	41	65	90	110	127	155	190	230	290	370		450	
19	36	60	75	115	154	190	215	260	310	395				516	
37	69	109	134	200	260	320	360	435	540					590	

FG, FV and FN series

Speed in rpm															
600	740	890	980	1180	1350	1470	1600	1770	2000	2300	2600	2950	3550		
Rated output P_N in kW															Size
4	7.5	12	16	26	38	48	61	85	110	140	170	220	290	370	
7.5	15	23	30	48	70	90	115	140	175	220	280	340		425	
15	30	45	58	95	140	180	210	245	300	380	480			490	
28	55	85	110	180	255	300	350	420	525	660				565	
55	110	170	220	350	450	520	600	730	900					655	
110	210	330	440	600	760	870	1010	1220						755	
240	440	700	810	1130	1440	1660								887	
480	880	1400	1600	2000	2350	2500								887D¹⁾	

The specified coupling weights of the following selection tables are effective for maximum bores without oil filling.

¹⁾ D = double-flow variant on request.

FLENDER Standard Couplings

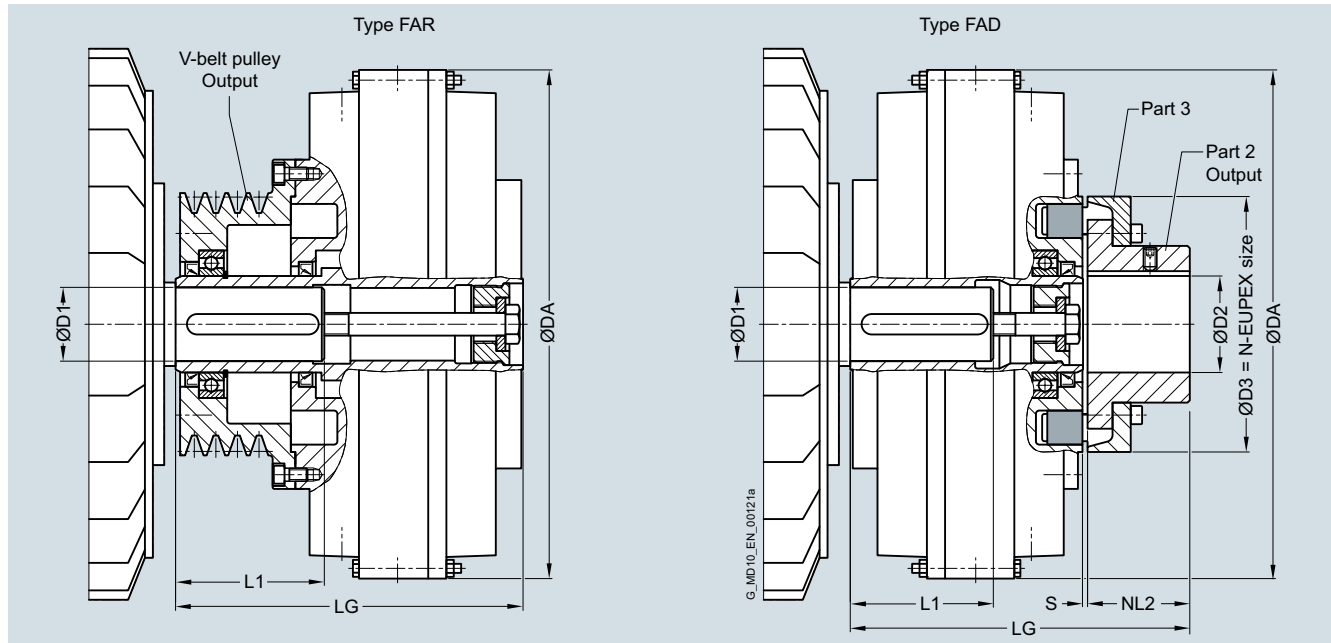
Fluid Couplings – FLUDEX Series

FLUDEX coupling as aid to starting IEC motors

Selection and ordering data

Speed $n = 1500 \text{ rpm}$

This assignment offers safety in normal load cases and includes standard types with 140 °C fusible safety plugs, for horizontal fitting and an ambient air temperature from -40 °C to +40 °C.



Three-phase motor	FLUDEX			Type FAR (with V-belt pulley)				Type FAD (with N-EUPEX D add-on coupling)									
Size	P_M	D_1	Size	Oil filling	DA	Profile, pitch Ø	No. of grooves	Recommended no. of belts ¹⁾	LG	Article No.	Weight	LG	NL2	D3	D2 ²⁾	Article No.	Weight
	1500 rpm	$\frac{D_1}{L_1}$								with order codes for bore diameters and tolerances (article number without "-Z") – selection in catalog part 3	m				max.	with order codes for bore diameters and tolerances (article number without "-Z") – selection in catalog part 3	m
	kW	mm		l	mm	mm			mm	Available ex stock	kg			mm	mm	Available at short term	kg
80 M	0.55	19 x 40	222	0.9	263	SPZ 100	2	1	153	2LC0900-0AF90-0AA0 L0L	12	180	40	110	38	2LC0900-0AA9 -0AA0 L0L+M..	12
80 M	0.75	19 x 40		1.0		SPZ 100	2	1		2LC0900-0AF90-0AA0 L0L						2LC0900-0AA9 -0AA0 L0L+M..	
90 S	1.1	24 x 50		1.1		SPZ 100	2	1		2LC0900-0AF90-0AA0 L0P						2LC0900-0AA9 -0AA0 L0P+M..	
90 L	1.5	24 x 50		1.2		SPZ 100	2	1		2LC0900-0AF90-0AA0 L0P						2LC0900-0AA9 -0AA0 L0P+M..	
100 L	2.2	28 x 60		1.4		SPZ 100	2	2		2LC0900-0AF90-0AA0 L0R						2LC0900-0AA9 -0AA0 L0R+M..	
100 L	3	28 x 60		1.5		SPZ 100	2	2		2LC0900-0AF90-0AA0 L0R						2LC0900-0AA9 -0AA0 L0R+M..	
112 M	4	28 x 60		1.6		SPZ 160	3	2		2LC0900-0AF91-0AA0 L0R	14					2LC0900-0AA9 -0AA0 L0R+M..	
132 S	5.5	38 x 80		1.65		SPZ 160	3	2		2LC0900-0AF91-0AA0 L0V						2LC0900-0AA9 -0AA0 L0V+M..	

ØD2: • Without finished bore
• With finished bore – With order codes for diameter and tolerance (article number without "-Z")

1
9

1) If the recommended number of belts is ..X, raw-edged belts are required.

2) Larger bores on the output side are possible with type FAE.

13

FLENDER Standard Couplings Fluid Couplings – FLUDEX Series

FLUDEX coupling as aid to starting IEC motors

Three-phase motor			FLUDEX			Type FAR (with V-belt pulley)				Type FAD (with N-EUPEX D add-on coupling)							
Size	P_M 1500 rpm D1 x L1		Size	Oil filling	DA	Profile, pitch Ø	No. of grooves	Recommended no. of belts ¹⁾	LG	Article No. with order codes for bore diameters and tolerances (article number without "-Z") – selection in catalog part 3	Weight m	LG	NL2	D3	D2 ²⁾ max.	Article No. with order codes for bore diameters and tolerances (article number without "-Z") – selection in catalog part 3	Weight m
	kW	mm	l	mm	mm				mm	Available ex stock	kg	mm	mm	mm	mm	Available at short term	kg
132 M	7.5	38 x 80	297	3.2	340	SPZ 150	5	3	226	2LC0900-1AF90-0AA0 L0V	27	233	50	125	45	2LC0900-1AA9 -0AA0 L0V+M..	24
160 M	11	42 x 110		3.5		SPZ 150	5	4		2LC0900-1AF90-0AA0 L0X						2LC0900-1AA9 -0AA0 L0X+M..	
160 L	15	42 x 110		3.8		SPZ 150	5	5		2LC0900-1AF90-0AA0 L0X						2LC0900-1AA9 -0AA0 L0X+M..	
180 M	18.5	48 x 110		4.0		SPA 190	4	4		2LC0900-1AF91-0AA0 L1B	32					2LC0900-1AA9 -0AA0 L1B+M..	
180 L	22	48 x 110	342	5.5	400	SPA 180	5	5	278	2LC0900-2AF90-0AA0 L1B	40	271	55	140	50	2LC0900-2AA9 -0AA0 L1B+M..	34
200 L	30	55 x 110		6.0		SPA 180	5	5X		2LC0900-2AF90-0AA0 L1D						2LC0900-2AA9 -0AA0 L1D+M..	
225 S	37	60 x 140	395	7.6	448	SPB 224	5	5	325	2LC0900-3AF90-0AA0 L1E	63	299	90	225	85	2LC0900-3AA9 -0AA0 L1E+M..	53
225 M	45	60 x 140		7.9		SPB 224	5	5		2LC0900-3AF90-0AA0 L1E						2LC0900-3AA9 -0AA0 L1E+M..	
250 M	55	65 x 140		8.4		SPB 224	5	5X		2LC0900-3AF90-0AA0 L1F						2LC0900-3AA9 -0AA0 L1F+M..	
280 S	75	75 x 140	450	10.8	512	SPB 250	8	7	410	2LC0900-4AF90-0AA0 L1H	94	338	100	250	95	2LC0900-4AA9 -0AA0 L1H+M..	70
280 M	90	75 x 140		11.3		SPB 250	8	8		2LC0900-4AF90-0AA0 L1H						2LC0900-4AA9 -0AA0 L1H+M..	
315 S	110	80 x 170		12.0		SPB 250	8	8X		2LC0900-4AF90-0AA0 L1J						2LC0900-4AA9 -0AA0 L1J+M..	
315 M	132	80 x 170	516	17.7	584	SPB 315	10	10	491	2LC0900-5AF90-0AA0 L1J	152	398	125	315	120	2LC0900-5AA9 -0AA0 L1J+M..	113
315 M	160	80 x 170		18.6		SPB 315	10	10X		2LC0900-5AF90-0AA0 L1J						2LC0900-5AA9 -0AA0 L1J+M..	

- ØD2: • Without finished bore for sizes 222 to 450 and 516 with small hub (ØD2 max. 100 mm) – Without order code M..
 • Without finished bore only for size 516 with large hub (ØD2 max. 88 ... 120 mm) – Without order code M..
 • With finished bore – With order codes for diameter and tolerance (article number without "-Z")

1
2
9

Delivery without oil filling: Without order code.

Delivery with oil filling (only above -20 °C): Article number with "-Z" and order codes "F16" and "Y90" with plain text specification of the oil filling quantity in liters.

Delivery with specification of oil filling quantity: Article number with "-Z" and order code "Y90" with plain text specification of the oil filling quantity in liters.

Axial retention is provided by a set screw and/or end washer with a retaining screw for shaft ends to DIN 748/1 long with a centering thread to DIN 332/2.

Other methods must be specified in the order using the article number with "-Z" and order code "Y99" with plain text specification.

Ordering example:

Drive with motor 200 L, 30 kW at 1470 rpm with starting clutch and pulley

Selection:

FLUDEX FAR 342 coupling, standard type,
 Hollow shaft: Bore ØD1 = 55H7 with keyway to DIN 6885/1 and retaining screw,
 with pulley 5xSPA Ø180.

Article No.:

• Delivery without oil filling:
2LC0900-2AF90-0AA0 L1D

• Delivery with oil filling:
2LC0900-1AF90-0AA0-Z L1D+F16+Y90
 Plain text to Y90: **6.0 l**

• Delivery with specification of oil filling quantity:
2LC0900-1AF90-0AA0-Z L1D+Y90
 Plain text to Y90: **6.0 l**

¹⁾ If the recommended number of belts is ..X, raw-edged belts are required.

²⁾ Larger bores on the output side are possible with type FAE.

FLENDER Standard Couplings

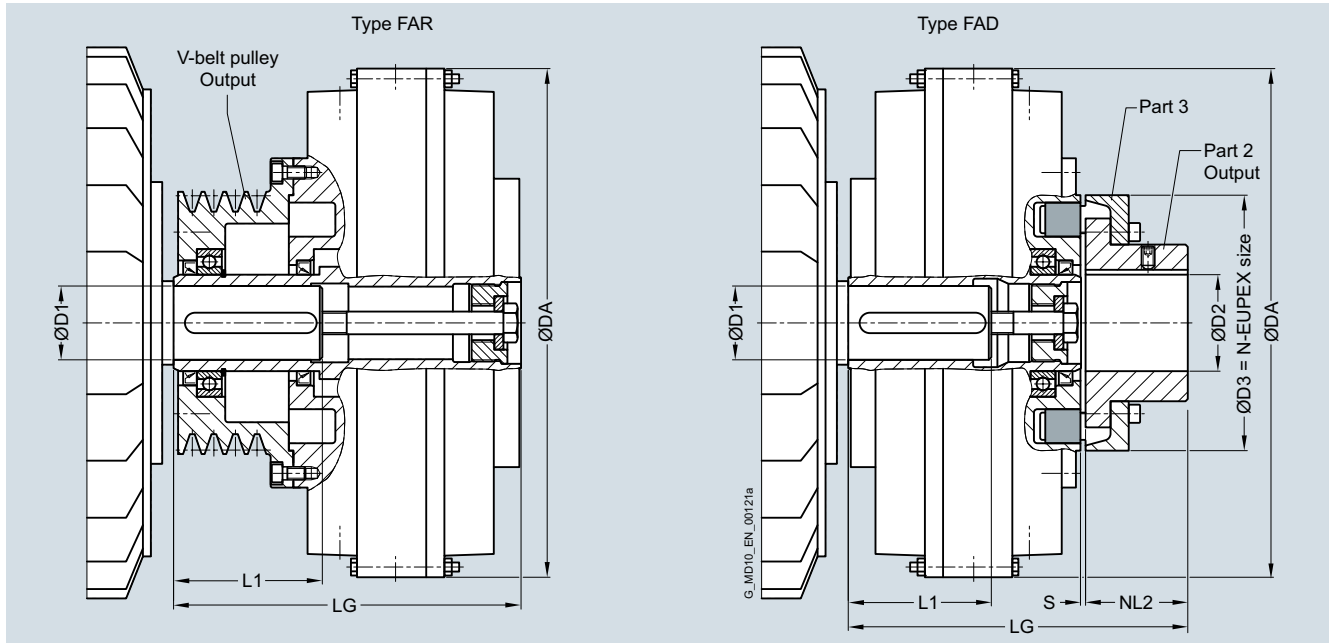
Fluid Couplings – FLUDEX Series

FLUDEX coupling as aid to starting IEC motors

Selection and ordering data

Speed $n = 3000 \text{ rpm}$

This assignment offers safety in normal load cases and includes standard types with 140 °C fusible safety plugs, for horizontal fitting and an ambient air temperature from -40 °C to +40 °C.



Three-phase motor	FLUDEX				Type FAR (with V-belt pulley)				Type FAD (with N-EUPEX D add-on coupling)								
	Size	P_M 3000 rpm D1 x L1	Size	Oil filling	DA	Profile, pitch Ø	No. of grooves	Recommended no. of belts ¹⁾	LG	Article No. with order codes for bore diameters and tolerances (article number without "-Z") - selection in catalog part 3	Weight <i>m</i>	LG	NL2	D3	D2 ²⁾ max.	Article No. with order codes for bore diameters and tolerances (article number without "-Z") - selection in catalog part 3	Weight <i>m</i>
	kW	mm	l	mm	mm	mm	mm	mm	mm	kg	mm	mm	mm	mm	mm	kg	
90 S	1.5	24 x 50	222	0.7	263	SPZ 100	2	1	153	2LC0900-0AF90-0AA0-Z LOP+W03	12	180	40	110	38	2LC0900-0AA9 -0AA0-Z LOP+M..+W03	12
90 L	2.2	24 x 50		0.8		SPZ 100	2	1		2LC0900-0AF90-0AA0-Z LOP+W03						2LC0900-0AA9 -0AA0-Z LOP+M..+W03	
100 L	3	28 x 60		0.9		SPZ 100	2	1		2LC0900-0AF90-0AA0-Z LOR+W03						2LC0900-0AA9 -0AA0-Z LOR+M..+W03	
112 M	4	28 x 60		1.0		SPZ 100	2	2		2LC0900-0AF90-0AA0-Z LOR+W03						2LC0900-0AA9 -0AA0-Z LOR+M..+W03	
132 S	5.5	38 x 80		1.0		SPZ 100	2	2		2LC0900-0AF90-0AA0-Z LOV+W03						2LC0900-0AA9 -0AA0-Z LOV+M..+W03	
132 S	7.5	38 x 80		1.1		SPZ 160	3	2		2LC0900-0AF91-0AA0-Z LOV+W03	14					2LC0900-0AA9 -0AA0-Z LOV+M..+W03	
160 M	11	42 ³⁾ x 110		1.2		SPZ 160	3	2		2LC0900-0AF91-0AA0-Z LOX+W03						2LC0900-0AA9 -0AA0-Z LOX+M..+W03	
160 M	15	42 ³⁾ x 110		1.3		SPZ 160	3	3		2LC0900-0AF91-0AA0-Z LOX+W03						2LC0900-0AA9 -0AA0-Z LOX+M..+W03	
160 L	18.5	42 ³⁾ x 110		1.4		SPZ 160	3	3		2LC0900-0AF91-0AA0-Z LOX+W03						2LC0900-0AA9 -0AA0-Z LOX+M..+W03	

ØD2: • Without finished bore – Without order code M..
• With finished bore – With order codes for diameter and tolerance (article number without "-Z")

1) If the recommended number of belts is ..X, raw-edged belts are required.

2) Larger bores on the output side are possible with type FAE.

3) Variant with shallow keyway to DIN 6885/3.

FLUDEX Standard Couplings

Fluid Couplings – FLUDEX Series

FLUDEX coupling as aid to starting IEC motors

Three-phase motor			FLUDEX			Type FAR (with V-belt pulley)					Type FAD (with N-EUPEX D add-on coupling)						
Size	P_M 3000 rpm	D1 x L1	Size	Oil filling	DA	Profile, pitch Ø	No. of grooves	Recommended no. of belts ¹⁾	LG	Article No. with order codes for bore diameters and tolerances (article number without "-Z") – selection in catalog part 3 Available at short term	Weight <i>m</i>	LG	NL2	D3	D2 ²⁾ max.	Article No. with order codes for bore diameters and tolerances (article number without "-Z") – selection in catalog part 3 Available at short term	Weight <i>m</i>
	kW	mm	l	mm	mm	mm		mm	mm	kg	mm	mm	mm	mm	kg		
180 M	22	48 x 110	297	2.5	340	SPZ 150	5	4	226	2LC0900-1AF90-0AA0-Z L1B+W03	27	233	50	125	45	2LC0900-1AA9 -0AA0-Z L1B+M..+W03	24
200 L	30	55 x 110		2.7		SPZ 150	5	5		2LC0900-1AF90-0AA0-Z L1D+W03						2LC0900-1AA9 -0AA0-Z L1D+M..+W03	
200 L	37	55 x 110		2.8		SPA 190	4	4		2LC0900-1AF91-0AA0-Z L1D+W03	32					2LC0900-1AA9 -0AA0-Z L1D+M..+W03	
225 M	45	55 x 110		2.9		SPA 224	5	4		2LC0900-1AF92-0AA0-Z L1D+W03	35					2LC0900-1AA9 -0AA0-Z L1D+M..+W03	
250 M	55	60 ³⁾ x 140		3.1		SPA 224	5	5		2LC0900-1AF92-0AA0-Z L1E+W03						2LC0900-1AA9 -0AA0-Z L1E+M..+W03	
280 S	75	65 x 140	395	5.3	448	SPB 236	7	5	363.5	2LC0900-3AF91-0AA0-Z L1F+W03	70	299	90	225	85	2LC0900-3AA9 -0AA0-Z L1F+M..+W03	53
280 M	90	65 x 140		5.6		SPB 236	7	6		2LC0900-3AF91-0AA0-Z L1F+W03						2LC0900-3AA9 -0AA0-Z L1F+M..+W03	
315 S	110	65 x 140		5.9		SPB 236	7	7		2LC0900-3AF91-0AA0-Z L1F+W03						2LC0900-3AA9 -0AA0-Z L1F+M..+W03	
315 M	132	65 x 140		6.2		SPB 236	7	7X		2LC0900-3AF91-0AA0-Z L1F+W03						2LC0900-3AA9 -0AA0-Z L1F+M..+W03	
315 L	160	65 x 140		6.8		SPB 280	7	7X		2LC0900-3AF92-0AA0-Z L1F+W03	83					2LC0900-3AA9 -0AA0-Z L1F+M..+W03	

ØD2: • Without finished bore – Without order code M..

• With finished bore – With order codes for diameter and tolerance (article number without "-Z")

1
9

Delivery without oil filling: Without order code.

Delivery with oil filling (only above -20 °C): Article number with "-Z" and order codes "F16" and "Y90" with plain text specification of the oil filling quantity in liters.

Delivery with specification of oil filling quantity: Article number with "-Z" and order code "Y90" with plain text specification of the oil filling quantity in liters.

Axial retention is provided by a set screw and/or end washer with a retaining screw for shaft ends to DIN 748/1 long with a centering thread to DIN 332/2.

Other methods must be specified in the order using the article number with "-Z" and order code "Y99" with plain text specification.

Ordering example:

Drive with motor 280 M, 90 kW at 2950 rpm with starting clutch for connecting two shafts.

Selection:

FLUDEX FAD 395 coupling, standard type,
Hollow shaft: Bore ØD1 = 65H7 with keyway to DIN 6885/1 and retaining screw,
Part 2: Bore ØD2 = 60H7 with keyway to DIN 6885/1 and set screw.

Article No.:

- Delivery without oil filling:
2LC0900-3AA99-0AA0-Z L1F+M1E+W03
- Delivery with oil filling:
2LC0900-3AA99-0AA0-Z L1F+M1E+W03+F16+Y90
Plain text to Y90: **5.6 l**
- Delivery with specification of oil filling quantity:
2LC0900-3AA99-0AA0-Z L1F+M1E+W03+Y90
Plain text to Y90: **5.6 l**

¹⁾ If the recommended number of belts is ..X, raw-edged belts are required.

²⁾ Larger bores on the output side are possible with type FAE.

³⁾ Variant with shallow keyway to DIN 6885/3.

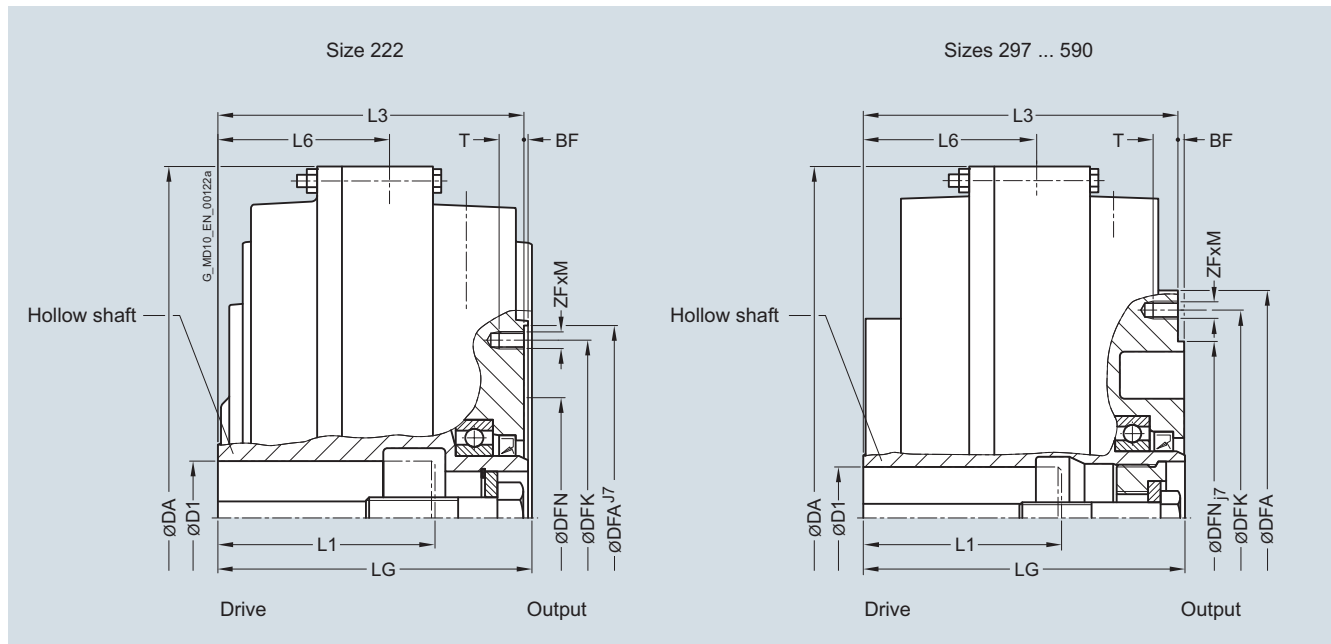
FLENDER Standard Couplings

Fluid Couplings – FLUDEX Series

Type FAO

Selection and ordering data

Basic coupling of the FA series with connecting flange.



Size	Maximum speed n_{Kmax}	Dimensions in mm											Tightening torque for screws in thread ZF x M T_A	Article No. with order codes for bore diameters and tolerances (article number without "-Z") – selection in catalog part 3	Weight m			
		D1	L1	DA	LG	L3	L6	DFN	DFA	BF	DFK	ZF x M				T		
	rpm	min.	max.	Preferred bore												Nm		kg
222	3600	38	28	80	263	112	110	58	90	144	2	128	6 x M8	12	18.7	2LC0900-0AG90-0AA0 L..	10	
		>38 ¹⁾	42 ¹⁾	max.														
297	3600	38	80	340	150	145	83	125	195	3	172	6 x M8	12	18.7	2LC0900-1AG90-0AA0 L..	18		
		>38	55	42	110													
		>55 ¹⁾	60 ¹⁾	110														
342	3600	55	48 + 55	110	400	180	174	101	140	230	4	205	8 x M10	15	31	2LC0900-2AG90-0AA0 L..	26	
		>55 ¹⁾	60 ¹⁾	120														
395	3000	65	60 + 65	140	448	205	200.5	110.5	225	290	4	265	8 x M12	18	54	2LC0900-3AG90-0AA0 L..	40	
450	3000	75	65 + 75	140	512	233	228	126	250	310	4	285	8 x M12	18	54	2LC0900-4AG90-0AA0 L..	53	
		>75	80	170														
516	2300	55	140	584	270	263	147	315	390	5	360	8 x M16	24	135	2LC0900-5AG90-0AA0 L..	84		
		>55	90	80	170													
590	2000	75	140	662	305	298	166	315	390	5	360	8 x M16	24	135	2LC0900-6AG90-0AA0 L..	109		
		>75	95	170														
		>95	100	210														

Ordering example:

Motor 37 kW, $P_{eff} = 30$ kW, $n_1 = 1470$ rpm, maximum output torque: $T_{max} = 2.0 \times T_{eff}$.

Selection:

FLUDEX FAO coupling size 342,

Hollow shaft: Bore $\text{ØD1} = 60\text{H7}$ mm with keyway to DIN 6885/3 and retaining screw,

seal set Viton.

Specification of oil filling quantity: 6.0 l (see under oil filling quantities for the FA series in this catalog section).

Article No.:

- With 110 °C fuse:
2LC0900-2AG90-0AA0-Z
L1E+Y90+F05
Plain text to Y90: **6.0 l**
- With 140 °C fuse:
2LC0900-2AG90-0AA0-Z
L1E+Y90+F07
Plain text to Y90: **6.0 l**

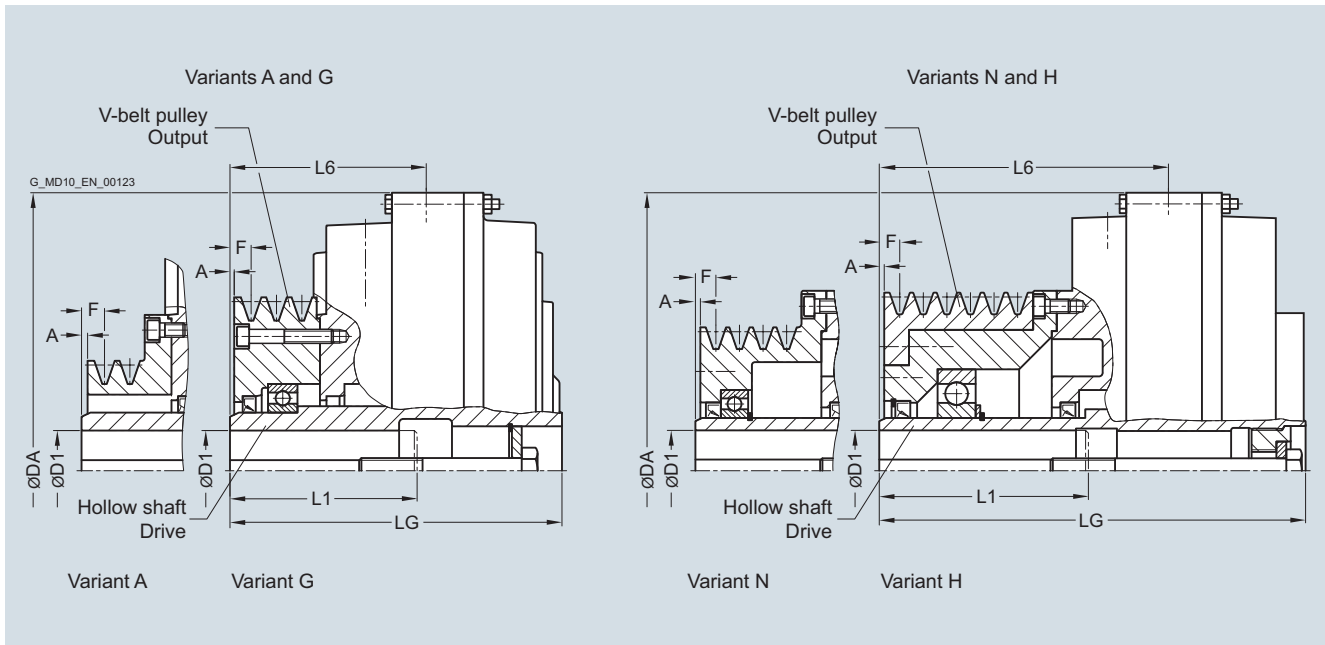
¹⁾ Variant with shallow keyway to DIN 6885/3.

FLENDER Standard Couplings

Fluid Couplings – FLUDEX Series

Type FAR with attached V-belt pulley

Selection and ordering data



Size	Maximum speed n_{kmax} rpm	Dimensions in mm						V-belt pulley			Variant	Article No. with order codes for bore diameters and tolerances (article number without "-Z") – selection in catalog part 3 Available at short term	Weight <i>m</i> kg
		D1 Keyway to DIN 6885 min. max. Preferred bore	L1 max.	DA	LG	L6	Profile, pitch diameter	No. of grooves	A	F			
222	3600	28 28 60	263	153	95	SPZ 100	2	1	9	A	2LC0900-0AF90-0AA0 L..	12	
		>28 38 105				SPZ 160	3			G	2LC0900-0AF91-0AA0 L..	14	
		>38 ¹⁾ 42 ¹⁾ 110											
297	3600	38 80 340	226	143		SPZ 150	5	2	10	N	2LC0900-1AF90-0AA0 L..	27	
		>38 55 42 110				SPZ 150	5	2		N	2LC0900-1AF90-0AA0 L..	27	
		>55 ¹⁾ 59 ¹⁾ 110				SPA 190	4	0		H	2LC0900-1AF91-0AA0 L..	32	
		>59 ¹⁾ 60 ¹⁾ 140				SPA 224	5	0		G	2LC0900-1AF92-0AA0 L..	35	
342	3600	55 55 110	400	278	177	SPA 180	5	4	14	N	2LC0900-2AF90-0AA0 L..	40	
395	3000	55 110 448	325	214.5		SPB 224	5	4	16.5	N	2LC0900-3AF90-0AA0 L..	63	
		>55 65 60 + 65 140											
	3000	55 110 448	363.5	253		SPB 236	7			N	2LC0900-3AF91-0AA0 L..	70	
	2700	>55 75 140				SPB 280	7			H	2LC0900-3AF92-0AA0 L..	83	
450	3000	55 110 512	410	284		SPB 250	8	4	16.5	N	2LC0900-4AF90-0AA0 L..	94	
		>55 75 65 + 75 140											
		>75 80 170											
516	2300	55 110 584	491	344		SPB 315	10	4	16.5	N	2LC0900-5AF90-0AA0 L..	152	
		>55 75 140											
		>75 95 170											
		>95 100 210											
590	2000	55 110 662	642	476		SPC 315	12	4	21	N	2LC0900-6AF90-0AA0 L..	208	
		>55 75 140											
		>75 95 170											
		>95 100 210											

General specifications and ordering instructions on page 13/10, 13/11. **Ordering example on page 13/24.**

¹⁾ Variant with shallow keyway to DIN 6885/3.

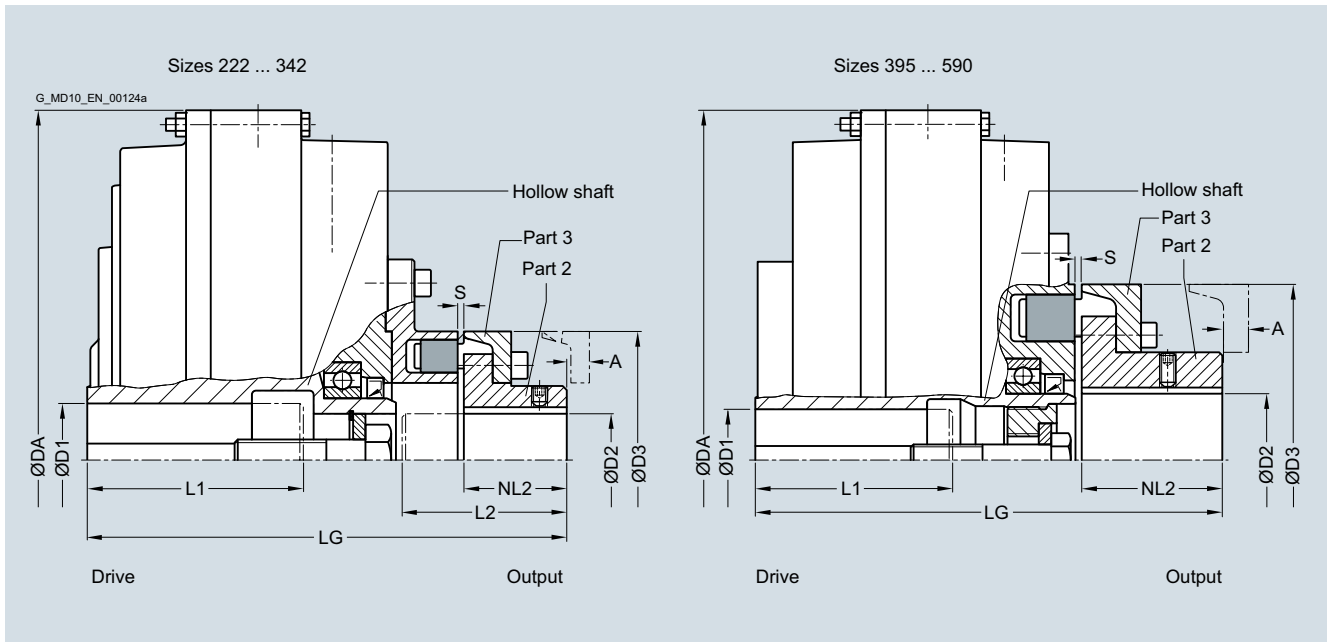
FLENDER Standard Couplings

Fluid Couplings – FLUDEX Series

Type FAD

Selection and ordering data

Type with attached N-EUPEX D coupling. Enables change of flexible elements without axial displacement of the shafts if the space "A" is provided.



Size	Maximum speed n_{kmax} rpm	Dimensions in mm FLUDEX coupling					N-EUPEX D coupling						Article No. with order codes for bore diameters and tolerances (article number without "-Z") – selection in catalog part 3 In standard type available ex stock Available at short term	Weight kg
		D1 Keyway to DIN 6885 min. max. Preferred bore	L1 max.	DA	LG	D2 max.	L2 max.	NL2	D3	S	A	N-EUPEX size		
222	3600	38 >38 ¹⁾	28 42 ¹⁾	80	263	180	38	65	40	110	3 ⁺¹ ₋₁	13	2LC0900-0AA9 ■ -0AA0 L...M..	12
297	3600	38 >38 >55 ¹⁾	55 60 ¹⁾	80 110	340	233	45	80	50	125	3 ⁺¹ ₋₁	11	2LC0900-1AA9 ■ -0AA0 L...M..	24
342	3600	55 >55 ¹⁾	48 + 55 60 ¹⁾	110 120	400	271	50	88	55	140	3 ⁺¹ ₋₁	16	2LC0900-2AA9 ■ -0AA0 L...M..	34
395	3000	65	60 + 65	140	448	299	85	90	90	225	4,5 ^{+1,5} _{-1,5}	9	2LC0900-3AA9 ■ -0AA0 L...M..	53
450	3000	75 >75	65 + 75 80	140 170	512	338	95	100	100	250	6 ⁺² ₋₃	11	2LC0900-4AA9 ■ -0AA0 L...M..	70
516	2300	55 >55	90 80	140 170	584	398	120	125	125	315	5 ⁺³ ₋₂	0	2LC0900-5AA9 ■ -0AA0 L...M..	113
590	2000	75 >75 >95	95 100	140 170 210	662	433	120	125	125	315	5 ⁺³ ₋₂	0	2LC0900-6AA9 ■ -0AA0 L...M..	138

- ØD2: • Without finished bore for sizes 222 to 450, 516 and 590 with small hub (ØD2 max. 100 mm) – Without order code M..
 • Without finished bore only for sizes 516 and 590 with large hub (ØD2 max. 88 ... 120 mm) – Without order code M..
 • With finished bore – With order codes for diameter and tolerance (article number without "-Z")

1
2
9

Ordering example:

Motor 160 kW, $P_{eff} = 132$ kW, $n_1 = 1470$ rpm, maximum output torque: $T_{max} = 2.0 \times T_{eff}$.

Selection:

FLUDEX FAD coupling size 516,
Hollow shaft: Bore ØD1= 80H7 mm with keyway to DIN 6885/1 and retaining screw,
Part 2: with finished bore ØD2 = 80H7

Specification of oil filling quantity: 16.9 l (see under oil filling quantities for the FA series in this catalog section).

Article No.:

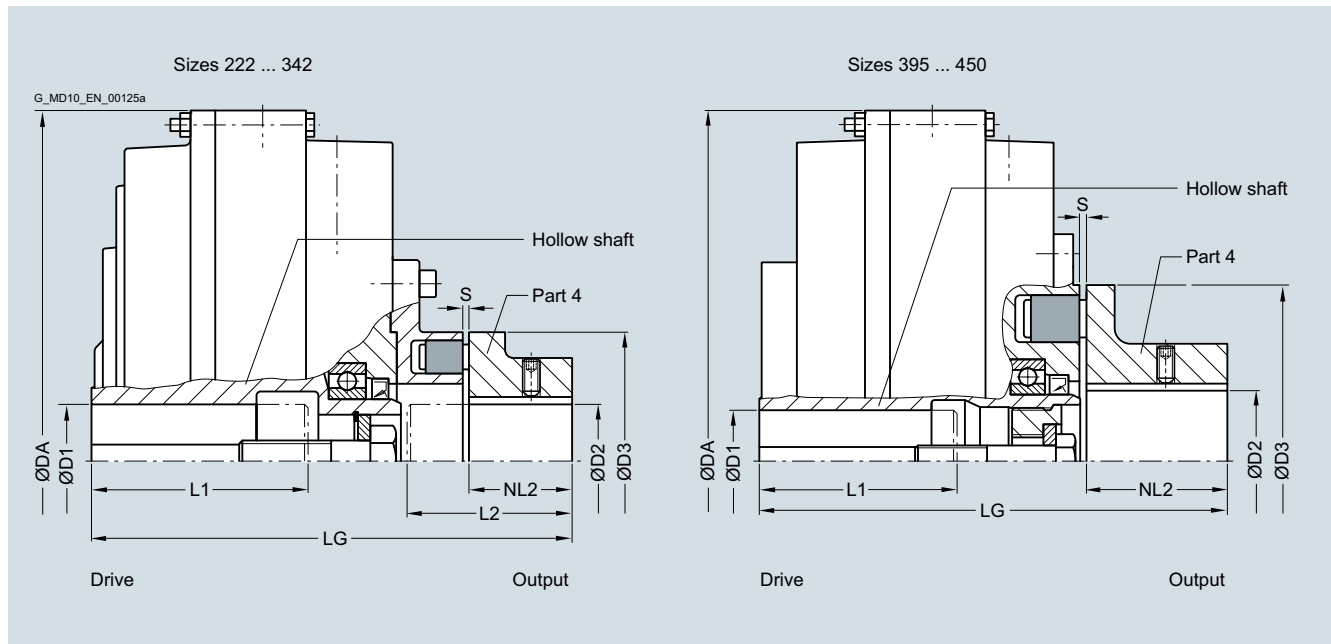
2LC0900-5AA99-0AA0-Z
L1J+M1J+Y90

Plain text to Y90: **16.9 l**

¹⁾ Variant with shallow keyway to DIN 6885/3.

Selection and ordering data

Type with attached N-EUPEX E coupling. Enables larger bores on the output side.



Size	Maximum speed n_{Kmax}	Dimensions in mm FLUDEX coupling					N-EUPEX E coupling					Article No. with order codes for bore diameters and tolerances (article number without "-Z") – selection in catalog part 3 In standard type available ex stock Available at short term	Weight <i>m</i>
		D1 Keyway to DIN 6885		L1 max.	DA	LG	D2 max.	L2 max.	NL2	D3	S		
	rpm	min.	max.	Preferred bore					N-EUPEX size				kg
222	3600	38	28	80	263	180	48	65	40	110	3 ⁺¹ ₋₁	2LC0900-0AB9 ■ -0AA0 L...M..	12
		>38 ¹⁾	42 ¹⁾										
297	3600	38		80	340	233	55	80	50	125	3 ⁺¹ ₋₁	2LC0900-1AB9 ■ -0AA0 L...M..	24
		>38	55	42	110								
		>55 ¹⁾	60 ¹⁾		110								
342	3600	55	48 + 55	110	400	271	60	88	55	140	3 ⁺¹ ₋₁	2LC0900-2AB9 ■ -0AA0 L...M..	34
		>55 ¹⁾	60 ¹⁾		120								
395	3000	65	60 + 65	140	448	299	90	90	90	225	4,5 ^{+1.5} _{-1.5}	2LC0900-3AB9 ■ -0AA0 L...M..	50
450	3000	75	65 + 75	140	512	338	100	100	100	250	6 ⁺² ₋₃	2LC0900-4AB9 ■ -0AA0 L...M..	68
		>75	80		170								

ØD2: • Without finished bore – Without order codes

• With finished bore – With order codes for diameter and tolerance (article number without "-Z")

1
9

Ordering example:

Motor 45 kW, $P_{eff} = 42$ kW, $n_1 = 2950$ rpm

Selection:

FLUDEX FAE coupling size 342,

Hollow shaft: Bore ØD1= 55H7 mm with keyway to DIN 6885/1 and retaining screw,

Part 4: Bore ØD2 = 60H7 with keyway to DIN 6885/1 and set screw,

with micro-balancing (high speed),
with electronic or mechanical operation monitoring, seal set Perbunan.

Delivery without oil filling, no oil filling quantity specification.

Article No.:

• With 110 °C thermal switch:

2LC0900-2AB99-0AA0-Z

L1D+M1E+W03+F03

Plain text to Y90: **16.9 I**

• With 125 °C EOC transmitter:

2LC0900-2AB99-0AA0-Z

L1D+M1E+W03+F04

¹⁾ Variant with shallow keyway to DIN 6885/3.

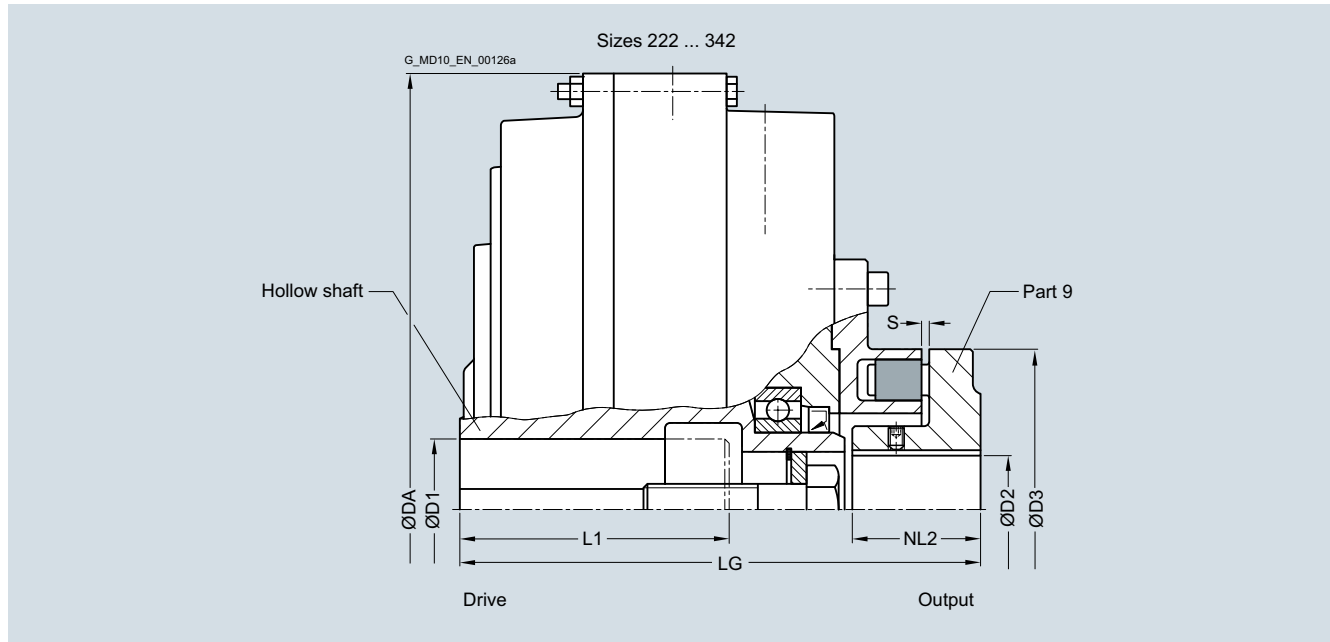
FLENDER Standard Couplings

Fluid Couplings – FLUDEX Series

Type FAM

Selection and ordering data

Type with attached N-EUPEX M coupling. Enables a short fitting length.



Size	Maximum speed n_{Kmax}	Dimensions in mm FLUDEX coupling					N-EUPEX M coupling					Article No. with order codes for bore diameters and tolerances (article number without "-Z") – selection in catalog part 3 In standard type available ex stock Available at short term	Weight <i>m</i>
		D1 Keyway to DIN 6885		L1 max.	DA	LG	D2 max.	NL2	D3	S	N-EUPEX size		
	rpm	min.	max.	Preferred bore									kg
222	3600	38	28	80	263	150	38	36	110	3 ⁺¹ ₋₁	2LC0900-0AH9 ■ -0AA0 L...M..	12	
		>38 ¹⁾	42 ¹⁾										
297	3600	38	80	340	203	48	50	125	3 ⁺¹ ₋₁	2LC0900-1AH9 ■ -0AA0 L...M..	24		
		>38	55	42	110								
		>55 ¹⁾	60 ¹⁾	110									
342	3600	55	48 + 55	110	400	238	52	55	140	3 ⁺¹ ₋₁	2LC0900-2AH9 ■ -0AA0 L...M..	34	
		>55 ¹⁾	60 ¹⁾	120									

ØD2: • Without finished bore – Without order codes
• With finished bore – With order codes for diameter and tolerance (article number without "-Z")

1
9

Ordering example:

Motor 37 kW, $P_{eff} = 30$ kW, $n_1 = 1470$ rpm

Selection:

FLUDEX FAM coupling size 342,

Hollow shaft: Bore ØD1 = 60H7 mm with keyway to DIN 6885/1 and retaining screw,

Part 9: Bore ØD2 = 50H7 mm with keyway to DIN 6885/1 and set screw.

Delivery without oil filling, no oil filling quantity specification.

Article No.:

- With drive via hollow shaft:
2LC0900-2AH99-0AA0-Z
L1E+M1C
Plain text to Y90: **16.9 I**
- With drive via housing:
2LC0900-2AH99-0AA0-Z
L1E+M1C+F23

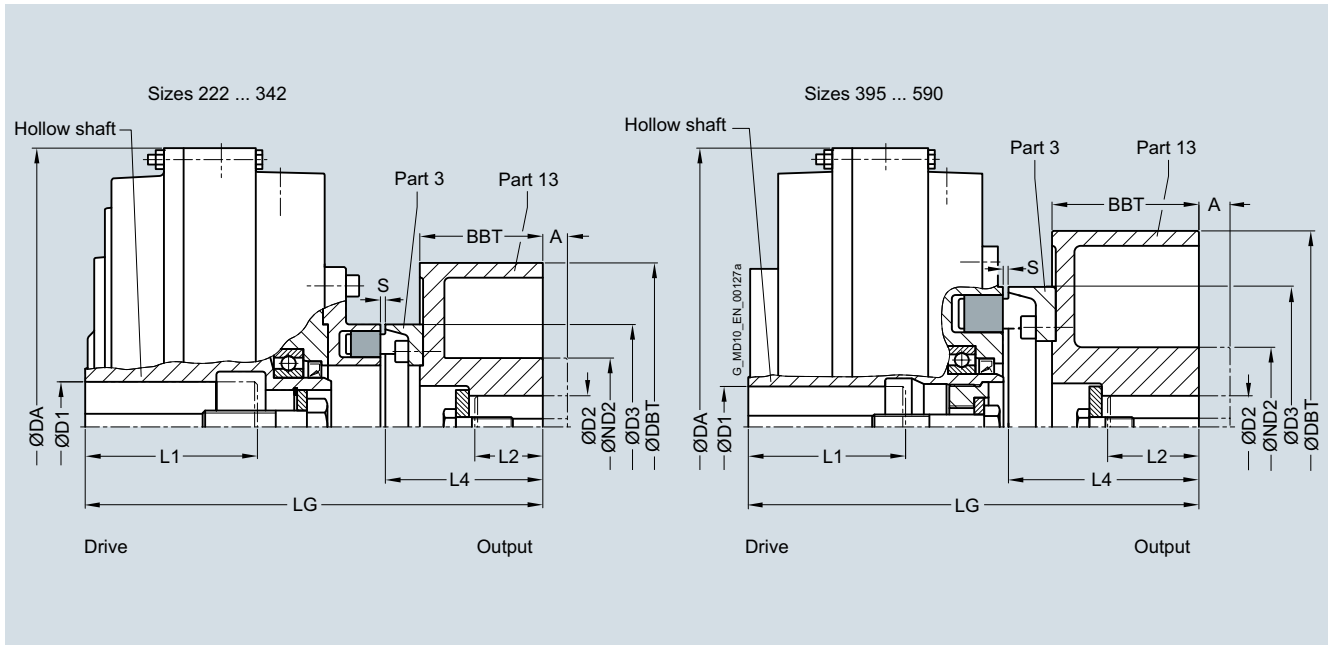
¹⁾ Variant with shallow keyway to DIN 6885/3.

FLENDER Standard Couplings Fluid Couplings – FLUDEX Series

Type FADB

Selection and ordering data

Type with attached N-EUPEX coupling and brake drum.



Size	Maximum speed n_{Kmax} rpm	Dimensions in mm FLUDEX coupling		N-EUPEX coupling				Part 13					Article No. with order codes for bore diameters and tolerances (article number without "-Z") – selection in catalog part 3	Weight <i>m</i> kg	
		D1	L1	DA	LG	D3	S	L4	D2	ND2	DBT	BBT			A
222	3600	38	80	263	232	110	3^{+1}_{-1}	92	42	68	200	75	30	2LC0900-0AC9 ■ -0 ■ A0-Z L..+M..+Y..	17
		>38 ¹⁾	42 ¹⁾												
297	3600	38	80	340	279	125	3^{+1}_{-1}	96	55	84	200	75	30	2LC0900-1AC9 ■ -0 ■ A0-Z L..+M..+Y..	29
		>38	55	110											
		>55 ¹⁾	60 ¹⁾	110											
342	3000	55	110	400	337	140	3^{+1}_{-1}	121	60	100	250	95	50	2LC0900-2AC9 ■ -0 ■ A0-Z L..+M..+Y..	48
		>55 ¹⁾	60 ¹⁾	120											
395	2400	65	140	448	362	225	$4,5^{+1,5}_{-1,5}$	153	80	128	315	118	50	2LC0900-3AC9 ■ -0 ■ A0-Z L..+M..+Y..	71
450	2400	75	140	512	395	250	6^{+2}_{-3}	157	80	128	315	118	50	2LC0900-4AC9 ■ -0 ■ A0-Z L..+M..+Y..	86
		>75	80	170											
516	1900	55	140	584	466	315	5^{+3}_{-2}	193	100	160	400	150	80	2LC0900-5AC9 ■ -0 ■ A0-Z L..+M..+Y..	146
		>55	90	170											
590	1500 ²⁾	75	140	662	540	315	5^{+3}_{-2}	232	110	175	500	190	110	2LC0900-6AC9 ■ -0 ■ A0-Z L..+M..+Y..	207
		>75	95	170											
		>95	100	210											

ØD2: • Without finished bore – Without order codes
• With finished bore – With order codes for diameter and tolerance (article number without "-Z")

Part 13 • Standard brake drum, without extension A
• Long brake drum (increase of lengths L4 and LG by the amount A)

1
9
A
B

Weight *m*: Without hub prolongations "A", with set screw.

For ordering example, see page 13/24.

L2 denotes the shaft insertion depth.

In the case of shaft ends deviating from DIN 748/1 long the insertion depth must be specified in plain text with "Y29".

1) Variant with shallow keyway to DIN 6885/3.

2) With version of brake drum in grey cast iron: Maximum speed 1800 rpm possible.

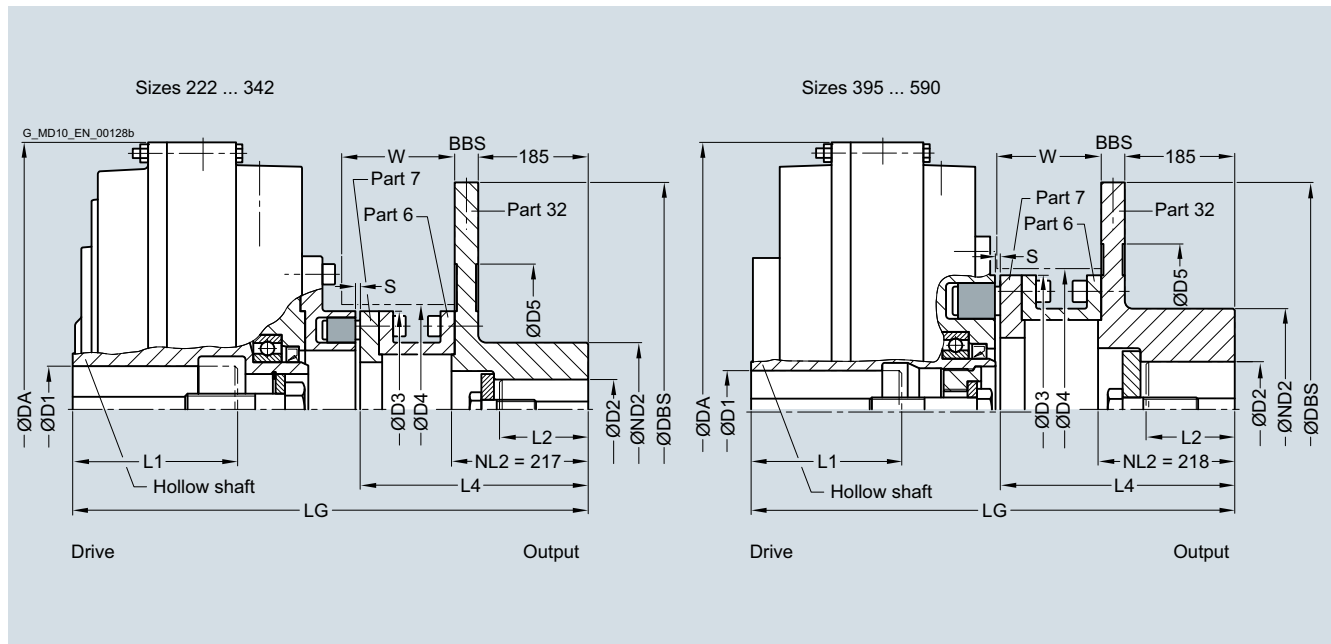
FLENDER Standard Couplings

Fluid Couplings – FLUDEX Series

Type FADS SB

Selection and ordering data

Type with attached N-EUPEX coupling and brake drum for stopping brakes.



Size	Maximum speed n_{kmax} rpm	Dimensions in mm															Article No. with order codes for bore diameters and tolerances (article number without "-Z") – selection in catalog part 3 Available at short term	Weight m kg										
		FLUDEX coupling			N-EUPEX coupling			Part 32 ¹⁾			Space dimensions			D2 max.	ND2	DBS			BBS	D5	D4	W						
D1	L1	DA	LG	D3	S	L4	D2	ND2	DBS	BBS	D5	D4	W				D3	S					L4	D2	ND2	DBS	BBS	D5
222	3000	38	80	263	494	110	5 ⁺¹	352	42	100	315	30	165	115	149												2LC0900-0AD9 ■ -0AA0 L..+M..	35
		>38 ²⁾	42 ²⁾																									
297	2600	38	80	340	537	125	5 ⁺¹	352	60	120	355	30	205	130	155											2LC0900-1AD9 ■ -0AA0 L..+M..	68	
		>38	55	110																								
		>55 ²⁾	60 ²⁾	110																								
342	2300	55	110	400	570	140	5 ⁺¹	352	60	120	400	30	250	145	155											2LC0900-2AD9 ■ -0AA0 L..+M..	83	
		>55 ²⁾	60 ²⁾	120																								
395	2100	65	140	448	602	225	6 ⁺¹	391.5	80	150	450	30	300	230	182											2LC0900-3AD9 ■ -0AA0 L..+M..	102	
450	1700	75	140	512	630.5	250	8 ⁺¹	390.5	90	160	560	30	370	260	182											2LC0900-4AD9 ■ -0AA0 L..+M..	141	
		>75	80	170																								
516	1500	55	140	584	706.5	315	8 ⁺¹	430.5	100	160	630	30	440	325	222											2LC0900-5AD9 ■ -0AA0 L..+M..	199	
		>55	90	170																								
590	1500	75	140	662	741.5	315	8 ⁺¹	430.5	100	160	630	30	440	325	222											2LC0900-6AD9 ■ -0AA0 L..+M..	224	
		>75	95	170																								
		>95	100	210																								

ØD2: Without finished bore – Without order codes

With finished bore – With order codes for diameter and tolerance (article number without "-Z")

1
9

Ordering example:

Motor 90 kW, $P_{eff} = 75$ kW, $n_1 = 1470$ rpm

Selection:

FLUDEX FADS SB coupling size 450,
Hollow shaft: Bore ØD1 = 75H7 mm with keyway to DIN 6885/1 and retaining screw,
Part 32: Bore ØD2 = 80H7 mm with keyway to DIN 6885/1 and retaining screw,
with preservative suitable for storage indoors,
shaft end insertion depth L2 = 90 mm.
Delivery without oil filling, no oil filling quantity specification.

Article No.:

with preservation 24 months:

2LC0900-4AD99-0AA0-Z

L1H+M1J+B28+Y29

Plain text Y29: **L2 = 90 mm**

L2 denotes the shaft insertion depth.

In the case of shaft ends deviating from DIN 748/1 long the insertion depth must be specified in plain text with "Y29".

¹⁾ Hub reduction possible; specify article number with "-Z" and order code "Y99" with dimension NL2 in plain text..

²⁾ Variant with shallow keyway to DIN 6885/3.

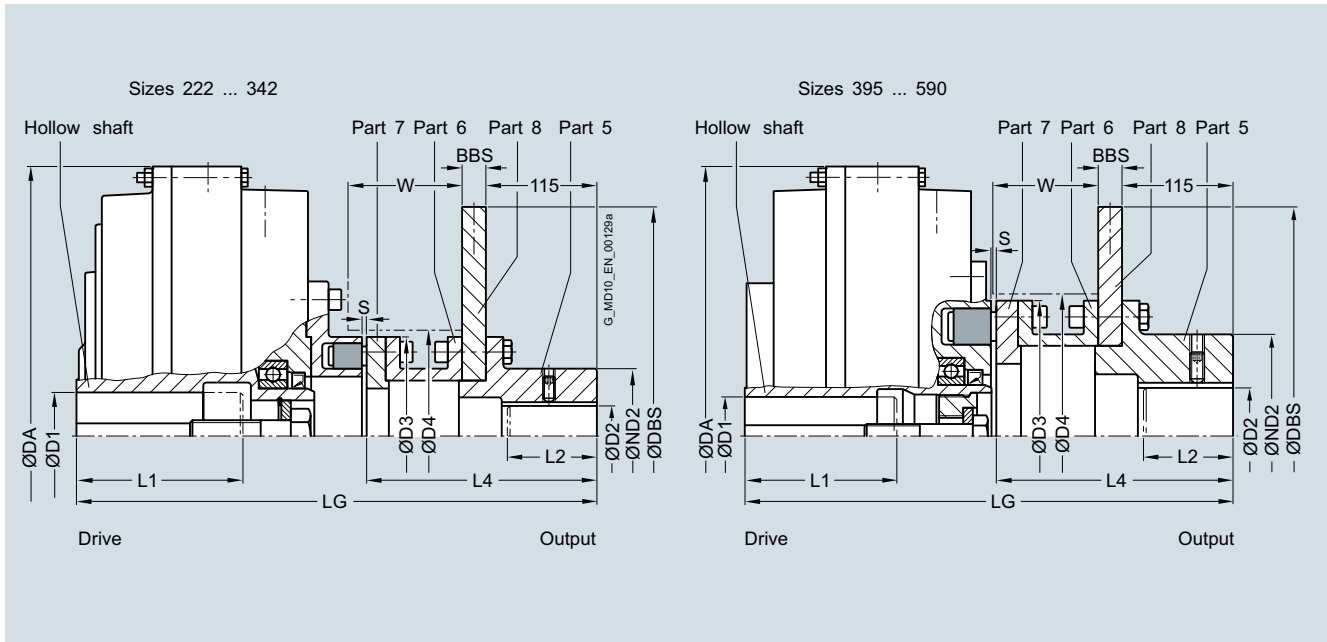
FLENDER Standard Couplings

Fluid Couplings – FLUDEX Series

Type FADS HB

Selection and ordering data

Type with attached N-EUPEX coupling and brake disk for blocking brakes.



Size	Maximum speed n_{kmax} rpm	Dimensions in mm FLUDEX coupling				N-EUPEX coupling			Part 5/8 ¹⁾		Space dimensions		Article No. with order codes for bore diameters and tolerances (article number without "-Z") – selection in catalog part 3 Available at short term	Weight m kg		
		D1 Keyway to DIN 6885 min. max.	L1 max.	DA	LG	D3 N-EUPEX size	S	L4	D2 max.	ND2	DBS	BBS			D4	W
222	3600	38	80	263	366.5	110	5 ⁺¹	224.5	42	70	250	12.5	115	109	2LC0900-0AE9 ■ -0AA0 L..+M..	22
		>38 ²⁾	42 ²⁾													
297	3600	38	80	340	409.5	125	5 ⁺¹	224.5	60	85	250	12.5	130	115	2LC0900-1AE9 ■ -0AA0 L..+M..	33
		>38	55	110												
		>55 ²⁾	60 ²⁾	110												
342	3600	55	110	400	442.5	140	5 ⁺¹	224.5	60	90	250	12.5	145	115	2LC0900-2AE9 ■ -0AA0 L..+M..	45
		>55 ²⁾	60 ²⁾	120												
395	3000	65	140	448	478	225	6 ⁺¹	267.5	80	150	355	16	230	142	2LC0900-3AE9 ■ -0AA0 L..+M..	80
450	3000	75	140	512	546.5	250	8 ⁺¹	306.5	90	160	355	16	260	182	2LC0900-4AE9 ■ -0AA0 L..+M..	101
		>75	80	170												
516	2300	55	140	584	566.5	315	8 ⁺¹	290.5	100	160	450	16	325	166	2LC0900-5AE9 ■ -0AA0 L..+M..	154
		>55	90	170												
590	2000	75	140	662	601.5	315	8 ⁺¹	290.5	100	160	450	16	325	166	2LC0900-6AE9 ■ -0AA0 L..+M..	179
		>75	95	170												
		>95	100	210												

ØD2: Without finished bore – Without order codes

With finished bore – With order codes for diameter and tolerance (article number without "-Z")

1
9

L2 denotes the shaft insertion depth.

In the case of shaft ends deviating from DIN 748/1 long the insertion depth must be specified in plain text with "Y29".

For ordering example, see page 13/25.

¹⁾ Hub reduction possible; specify article number with "-Z" and order code "Y99" in plain text.

²⁾ Variant with shallow keyway to DIN 6885/3.

FLENDER Standard Couplings

Fluid Couplings – FLUDEX Series

Oil filling quantities for FA series

Selection and ordering data

This assignment is valid for a maximum starting torque $T_{\max} = 2.0 \times T_{\text{eff}}$ and mineral oils with a viscosity of VG 22/VG 32, with drive via the hollow shaft.

If other operating fluids are used, or with drive via the housing or $T_{\max} \neq 2.0 \times T_{\text{eff}}$, changed filling quantities must be observed!

P_{eff} kW	Speed in rpm										Size
	600	740	890	980	1180	1470	1770	2300	2950	3550	
	Oil filling quantity in l										
0.55	4.3	1.5	1.4	1.3	1.1						
0.75	4.7	1.65	1.5	1.4	1.2						
1.1	5.1	4.4	1.65	1.6	1.4	1.1					
2.2	6.2	5.2	4.5	4.2	1.6	1.4	1.2				
3.0	9.5	5.6	4.9	4.6	1.65	1.5	1.3	1.0			
4.0	10.2	6.1	5.3	4.9	4.3	1.6	1.4	1.1			
5.5	11.0	9.4	5.7	5.3	4.6	1.65	1.5	1.2	1.0		
7.5	12.0	10.2	6.2	5.8	5.0	4.3	1.6	1.3	1.1		
11	13.4	11.2	9.7	6.4	5.5	4.7	4.1	1.5	1.2	1.0	222
15	24.8	12.2	10.5	9.8	6.0	5.0	4.4	1.6	1.3	1.1	
18	25.9	12.9	11.0	10.3	6.3	5.3	4.6	3.9	1.4	1.2	
22	27.3	23.3	11.6	10.8	9.4	5.5	4.8	4.0	1.4	1.25	
30	29.7	25.2	12.7	11.7	10.1	6.0	5.2	4.3	3.7	1.4	
37	31.5	26.5	23.1	12.4	10.7	9.1	5.5	4.5	3.9	1.5	
45		27.9	24.2	22.6	11.2	9.5	5.8	4.7	4.0	3.5	342
55		29.5	25.5	23.7	11.9	10.0	8.8	5.0	4.2	3.7	
75			27.6	25.7	22.3	10.8	9.4	5.4	4.5	3.9	
90			29.0	26.9	23.4	11.3	9.8	8.1	4.7	4.1	
110				28.3	24.5	12.0	10.4	8.6	4.9	4.3	
132				29.7	25.7	21.9	10.8	8.9	7.6	4.5	
160					27.0	22.9	20.0	9.3	7.8		450
180					27.8	23.5	20.6	10.0	8.0		
200					28.6	24.2	21.2	10.9	8.2		
225						24.9	21.8	11.5	8.5		
250						25.6	22.3		9.6		
280						26.3	22.9		9.9		
315						27.1	23.6		10.5		
350							24.2				590
400							26.4				

Ordering example type FAR from page 13/17:

Motor 45 kW, $P_{\text{eff}} = 37$ kW, $n_1 = 1470$ rpm, maximum output torque: $T_{\max} = 2.0 \times T_{\text{eff}}$.

Selection:

FLUDEX FAR coupling size 395,

Hollow shaft: Bore $\varnothing D1 = 60H7$ mm with keyway to DIN 6885/1 and retaining screw.

Specification of oil filling quantity: 7.6 l (see under oil filling quantities for the FA series in this catalog section).

Article No.:

- With pulley 5xSPB224:
2LC0900-3AF90-0AA0-Z
L1E+Y90
Plain text to Y90: **7.6 l**
- With pulley 7xSPB236:
2LC0900-3AF91-0AA0-Z
L1E+Y90
Plain text to Y90: **7.6 l**
- With 160 °C fuse:
2LC0900-3AF90-0AA0-Z
L1E+Y90+F08
Plain text to Y90: **7.6 l**

Ordering example type FADB from page 13/21:

Motor 30 kW, $P_{\text{eff}} = 22$ kW, $n_1 = 1470$ rpm

Selection:

FLUDEX FADB coupling size 342, standard type,
Hollow shaft: Bore $\varnothing D1 = 55H7$ mm with keyway to DIN 6885/1 and retaining screw,

Part 13: Bore $\varnothing D2 = 50H7$ mm with keyway to DIN 6885/1 and set screw,
shaft end insertion depth $L2 = 90$ mm.

Delivery without oil filling, no oil filling quantity specification.

Article No.:

- Part 13: Standard brake drum
2LC0900-2AC99-0AA0-Z
L1D+M1C+Y29
Plain text to Y29: **90 mm**
- Part 13: Long brake drum
2LC0900-2AC99-0BA0-Z
L1D+M1C+Y29
Plain text to Y29: **90 mm**

FLENDER Standard Couplings

Fluid Couplings – FLUDEX Series

Oil filling quantities for FA series

P_{eff} kW	Speed in rpm										Size	
	600	740	890	980	1180	1470	1770	2300	2950	3550		
0.55	3.2	2.8										
0.75	3.5	3.0	2.6									
1.1	3.9	3.3	2.9	2.7								
2.2	7.3	4.0	3.4	3.2	2.8							
3.0	7.9	6.8	3.7	3.4	3.0	2.5						
4.0	8.5	7.3	4.0	3.7	3.2	2.7						
5.5	9.4	7.9	6.8	4.1	3.5	2.9	2.6					
7.5	17.0	8.5	7.4	6.9	3.8	3.2	2.8	2.4				
11	18.7	16.0	8.1	7.6	6.6	3.5	3.0	2.5				
15	20.3	17.3	8.9	8.2	7.1	3.8	3.3	2.7				
18	21.4	18.0	15.7	8.6	7.4	4.0	3.4	2.8	2.4			
22		19.0	16.5	15.4	7.8	6.6	3.6	3.0	2.5			
30		20.6	17.8	16.6	8.5	7.2	6.3	3.2	2.7	2.4		297
37			18.8	17.5	15.2	7.6	6.6	3.4	2.8	2.5		
45			19.8	18.4	16.0	7.9	6.9	3.6	2.9	2.6		
55			21.0	19.3	16.8	8.4	7.3	6.0	3.1	2.7		
75				21.1	18.1	15.4	7.9	6.5	5.3	2.9		
90					19.0	16.1	14.1	6.7	5.6	3.0		
110					20.1	16.9	14.8	7.1	5.9			395
132						17.7	15.4	7.9	6.2			
160						18.6	16.2	13.4	6.8			
180						19.2	16.7	13.8	7.2			
200							17.1	14.1				516
225							17.6	14.6				
250							18.1	14.9				
280								15.3				
315								15.8				
350								17.1				

Ordering example type FADS HB from page 13/23:

Motor 160 kW, $P_{\text{eff}} = 132$ kW, $n_1 = 2950$ rpm

Selection:

FLUDEX FADS HB coupling size 395,

Hollow shaft: Bore $\varnothing D1 = 65H7$ mm with keyway to DIN 6885/1 and retaining screw,

Part 5: Bore $\varnothing D2 = 80H7$ mm with keyway to DIN 6885/1 and set screw,

Fitting position: horizontal/vertical, motor overhead (MO)/motor underneath (MU),

shaft insertion depth $L2 = 80$ mm.

Delivery without oil filling, no oil filling quantity specification.

Article No.:

- Horizontal version:
2LC0900-3AE99-0AA0-Z
L1F+M1J+Y29
Plain text to Y29: **80 mm**
- Vertical version MO:
2LC0900-3AE99-0AA0-Z
L1F+M1J+F13+Y29
Plain text to Y29: **80 mm**
- Vertical version MU:
2LC0900-3AE99-0AA0-Z
L1F+M1J+F14+Y29
Plain text to Y29: **80 mm**

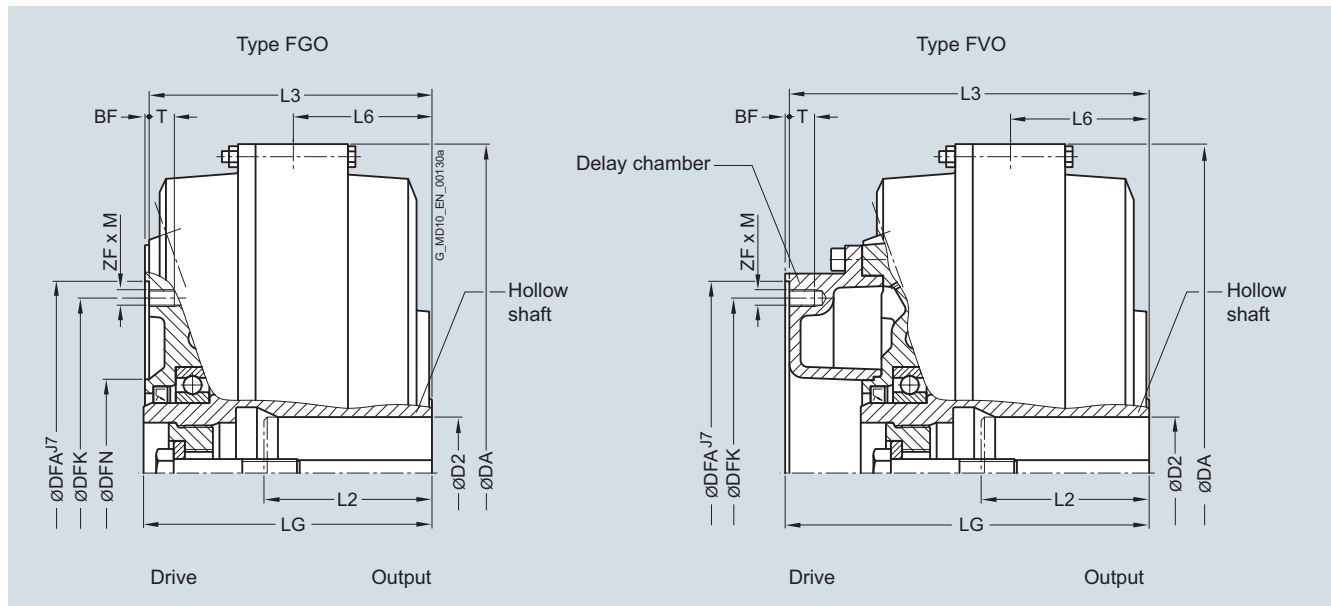
FLENDER Standard Couplings

Fluid Couplings – FLUDEX Series

Types FGO/FVO

Selection and ordering data

Basic coupling of the FG series and delay chamber coupling of the FV series with connecting flange.



Size	Type	Maximum speed n_{kmax} rpm	Dimensions in mm Installation dimensions			Flange connection dimensions							Tightening torque for screws in thread ZF x M T_A Nm	Article No. with order codes for bore diameters and tolerances (article number without "-Z") - selection in catalog part 3	Weight m kg		
			D2	L2	DA	LG	L3	L6	DFN	DFA	BF	DFK				ZF x M	T
370	FGO	3600	75	140	420	185	182	84	126	220	3	200	8 x M10	15	31	2LC0900-8CE09-0AA0 M..	34
	FVO					228	225									2LC0900-8ED09-0AA0 M..	37
425	FGO	3000	80	140	470	205	202	99	134	274	3	250	8 x M12	18	54	2LC0901-0CE09-0AA0 M..	45
	FVO					260	257									2LC0901-0ED09-0AA0 M..	47
490	FGO	2600	55	110	555	236	232	105	141	314	4	282	8 x M16	24	135	2LC0901-1CE09-0AA0 M..	75
	FVO		>55 >75	75 100	140 170											2LC0901-1ED09-0AA0 M..	80
565	FGO	2300	110	170	630	254	250	123	166	344	4	312	8 x M16	24	135	2LC0901-2CE09-0AA0 M..	95
	FVO					337	333									2LC0901-2ED09-0AA0 M..	103
655	FGO	2000	130	210	736	301	296	145	180	430	5	390	8 x M20	25	260	2LC0901-3CE09-0AA0 M..	142
	FVO					389	384									2LC0901-3ED09-0AA0 M..	154
755	FGO	1800	150	240	840	346	341	176	226	480	5	440	10 x M20	25	260	2LC0901-4CE09-0AA0 M..	208
	FVO					445	440									2LC0901-4ED09-0AA0 M..	224
887	FGO	1500	150	275	990	396	391	217	249	520	5	480	10 x M20	25	260	2LC0901-5CE09-0AA0 M..	362
	FVO					498	493									2LC0901-5ED09-0AA0 M..	385

For ordering example, see page 13/30.

FLENDER Standard Couplings

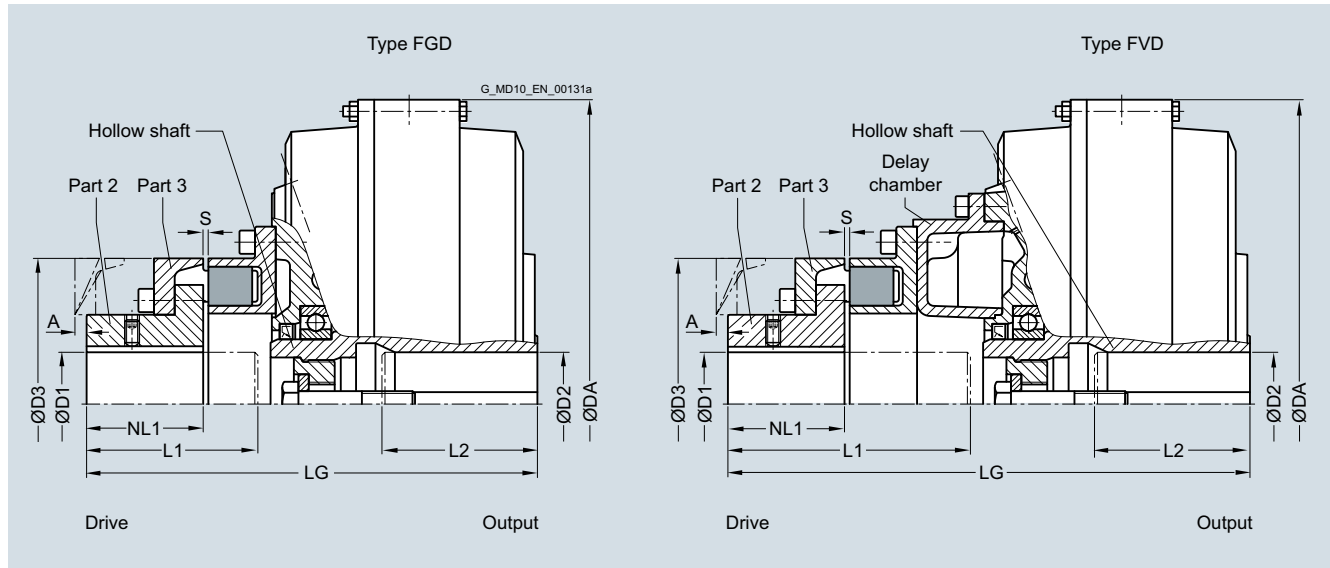
Fluid Couplings – FLUDEX Series

Types FGD/FVD

Selection and ordering data

Type with attached N-EUPEX D coupling.

Enables change of flexible elements without axial displacement of the shafts if the space "A" is provided.



Size	Type	Maximum speed n_{kmax} rpm	Dimensions in mm FLUDEX coupling				N-EUPEX D coupling						Article No. with order codes for bore diameters and tolerances (article number without "-Z") – selection in catalog part 3 Available at short term	Weight m kg
			D2 Keyway to DIN 6885 min.	L2 max.	DA	LG	D1 max.	L1 max.	NL1	D3 N-EUPEX size	S	A		
370	FGD	3600	75	140	420	298	65	110	70	180	4 ⁺² ₋₂	10	2LC0900-8CA ■ 9-0AA0 L..+M..	44
	FVD													
425	FGD	3000	80	140	470	348	85	140	90	225	4 ⁺² ₋₂	9	2LC0901-0CA ■ 9-0AA0 L..+M..	66
	FVD													
490	FGD	2600	55	110	555	397	95	155	100	250	5 ⁺³ ₋₂	11	2LC0901-1CA ■ 9-0AA0 L..+M..	105
	FVD		>55 >75	75 100	140 170	462	220	2LC0901-1EA ■ 9-0AA0 L..+M..	166					
565	FGD	2300	110	170	630	430	105	170	110	280	5 ⁺³ ₋₂	5	2LC0901-2CA ■ 9-0AA0 L..+M..	134
	FVD													
655	FGD	2000	130	210	736	515	140	210	140	350	5 ⁺³ ₋₂	0	2LC0901-3CA ■ 9-0AA0 L..+M..	217
	FVD													
755	FGD	1800	150	240	840	584	150	230	160	400	5 ⁺³ ₋₂	0	2LC0901-4CA ■ 9-0AA0 L..+M..	307
	FVD													
887	FGD	1500	150	275	990	665	160	260	180	440	8 ⁺² ₋₃	0	2LC0901-5CA ■ 9-0AA0 L..+M..	491
	FVD													

ØD1: Without finished bore from size 655 with small hub for:

- Size 655 ØD1max = 110 mm
- Size 755 ØD1max = 120 mm
- Size 887 ØD1max = 130 mm – Without order code L..

Without finished bore from size 655 with large hub for:

- Size 655 ØD1 = 88 ... 140
- Size 755 ØD1 = 98 ... 150
- Size 887 ØD1 = 118 ... 160 – Without order code L..

With finished bore – With order codes for diameter and tolerance (article number without "-Z")

1

2

9

For ordering example, see page 13/31.

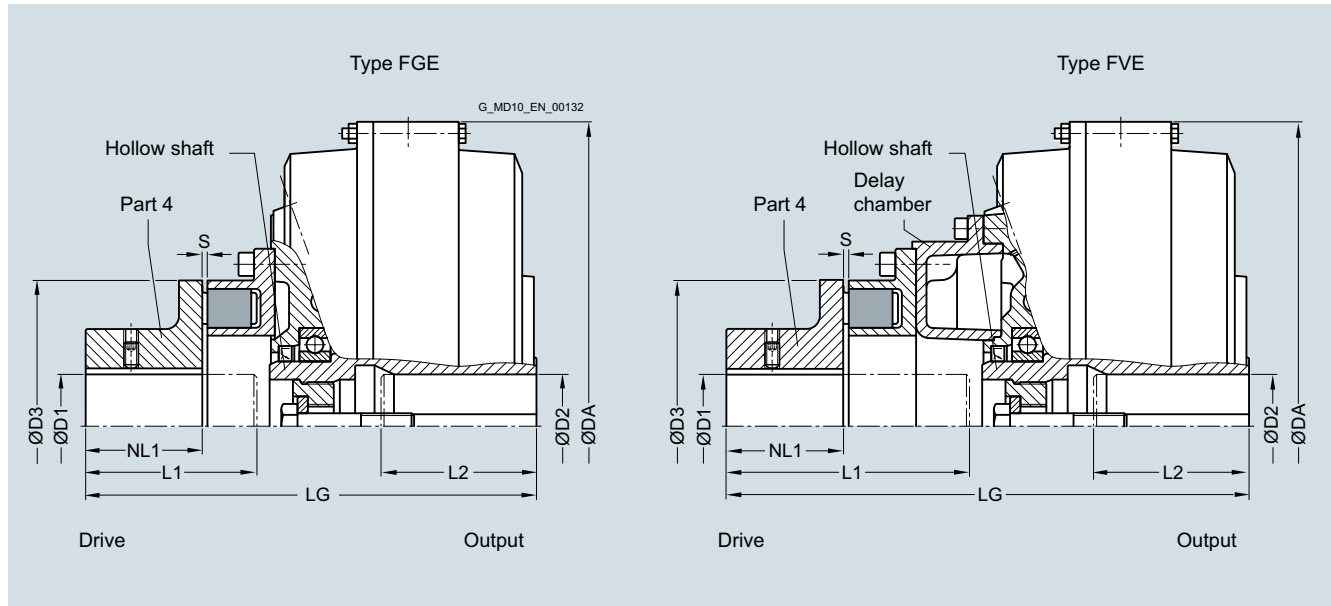
FLENDER Standard Couplings

Fluid Couplings – FLUDEX Series

Types FGE/FVE

Selection and ordering data

Type with attached N-EUPEX E coupling. Enables larger bores on the drive side.



Size	Type	Maximum speed n_{kmax} rpm	Dimensions in mm FLUDEX coupling				N-EUPEX E coupling					Article No. with order codes for bore diameters and tolerances (article number without "-Z") – selection in catalog part 3	Weight m	
			D2	L2	DA	LG	D1	L1	NL1	D3	S			
													Available at short term	kg
370	FGE	3600	75	140	420	298	75	110	70	180	4 ⁺² ₋₂	2LC0900-8CB ■ 9-0AA0 L...M..	44	
	FVE					341							150	2LC0900-8EB ■ 9-0AA0 L...M..
425	FGE	3000	80	140	470	348	90	140	90	225	4 ⁺² ₋₂	2LC0901-0CB ■ 9-0AA0 L...M..	64	
	FVE					403							190	2LC0901-0EB ■ 9-0AA0 L...M..
490	FGE	2600	55	110	555	397	100	155	100	250	5 ⁺³ ₋₂	2LC0901-1CB ■ 9-0AA0 L...M..	101	
	FVE		>55 >75			75 100							140 170	462
565	FGE	2300	110	170	630	430	110	170	110	280	5 ⁺³ ₋₂	2LC0901-2CB ■ 9-0AA0 L...M..	129	
	FVE					513							250	2LC0901-2EB ■ 9-0AA0 L...M..

ØD1: Without finished bore – Without order codes

With finished bore – With order codes for diameter and tolerance (article number without "-Z")

1
9

Ordering example:

Motor 45 kW, $P_{eff} = 37$ kW, $n_1 = 1470$ rpm

Selection:

FLUDEX FVE coupling size 370,

Hollow shaft: Bore ØD2 = 60H7 mm with keyway to DIN 6885/1 and retaining screw,

Part 4: Bore ØD1 = 60H7 mm with keyway to DIN 6885/1 and set screw,

with electronic or mechanical operation monitoring, seal set Perbunan.

Delivery without oil filling, no oil filling quantity specification.

Article No.:

- With 110 °C thermal switch:

**2LC0900-8EB99-0AA0-Z
L1E+M1E+F03**

- With 125 °C EOC transmitter:

**2LC0900-8EB99-0AA0-Z
L1E+M1E+F04**

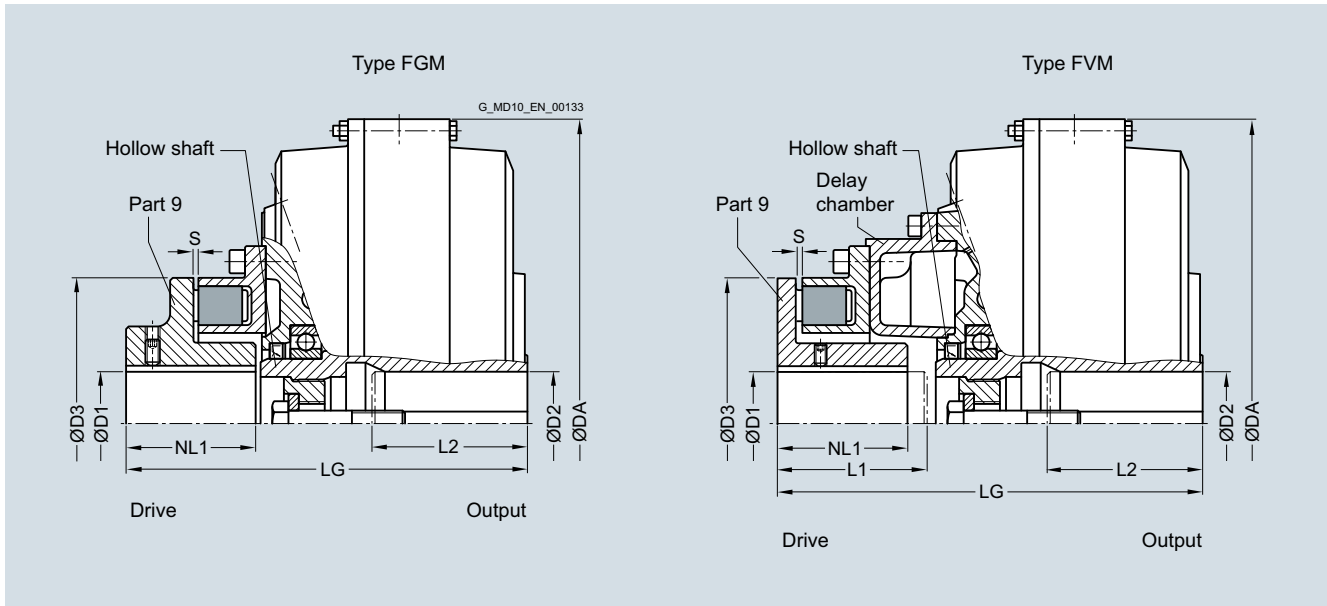
FLENDER Standard Couplings

Fluid Couplings – FLUDEX Series

Types FGM/FVM

Selection and ordering data

Type with attached N-EUPEX M coupling. Enables a short fitting length.



Size	Type	Maximum speed n_{Kmax} rpm	Dimensions in mm FLUDEX coupling				N-EUPEX M coupling					Article No. with order codes for bore diameters and tolerances (article number without "-Z") – selection in catalog part 3	Weight m
			D2 Keyway to DIN 6885 min.	L2 max.	DA	LG	D1 max.	L1 max.	NL1	D3 N-EUPEX size	S		
370	FGM	3600	75	140	420	274	70	80	80	180	4 ⁺² -2	2LC0900-8CD ■ 9-0AA0 L..+M..	44
	FVM					288		100	85				
425	FGM	3000	80	140	470	310	85	100	100	225	4 ⁺² -2	2LC0901-0CD ■ 9-0AA0 L..+M..	64
	FVM					327		115	100				
490	FGM	2600	55	110	555	350	90	105	105	250	5 ⁺³ -2	2LC0901-1CD ■ 9-0AA0 L..+M..	101
	FVM					>55 >75		75 100	140 170				
565	FGM	2300	110	170	630	380	100	120	120	280	5 ⁺³ -2	2LC0901-2CD ■ 9-0AA0 L..+M..	128
	FVM					425		165	130				

ØD1: Without finished bore – Without order codes

With finished bore – With order codes for diameter and tolerance (article number without "-Z")

1
9

Ordering example:

Motor 45 kW, $P_{eff} = 37$ kW, $n_1 = 1470$ rpm

Selection:

FLUDEX FGM coupling size 370,

Hollow shaft: Bore $\text{ØD2} = 60\text{H7}$ mm with keyway (for number of keyways, see "Special types") to DIN 6885/1 and retaining screw,

Part 4: Bore $\text{ØD1} = 60\text{H7}$ mm with keyway to DIN 6885/1 and set screw.

Delivery without oil filling, no oil filling quantity specification.

Article No.:

- With one keyway:
**2LC0900-8CD99-0AA0
L1E+M1E**
- With two keyways set 180° apart:
**2LC0900-8CD99-0AA0-Z
L1E+M1E+L46**
- With two keyways set 120° apart:
**2LC0900-8CD99-0AA0-Z
L1E+M1E+L47**

FLENDER Standard Couplings

Fluid Couplings – FLUDEX Series

Oil filling quantities for FG/FV series

Selection and ordering data

This assignment is valid for a maximum starting torque $T_{\max} = 2.0 \times T_{\text{eff}}$ (FG series) or $T_{\max} = 1.5 \times T_{\text{eff}}$ (FV series), and mineral oils with a viscosity of VG 22/VG 32.

If other operating fluids are used, or with drive via the hollow shaft or $T_{\max} \neq 2.0 \times T_{\text{eff}}$ or $T_{\max} \neq 1.5 \times T_{\text{eff}}$, changed filling quantities must be observed!

P_{eff}	Speed in rpm																				Size
	600	740	890	980	1180	1470	1770	2300	2950	3550											
kW	Series																				
	FG	FV	FG	FV	FG	FV	FG	FV	FG	FV	FG	FV	FG	FV	FG	FV	FG	FV	FG	FV	
	Oil filling quantity in l																				
1.1	5.2	5.3																			
2.2	6.4	6.7		5.5																	
3.0	7.0	7.4	5.9	6.1		5.0															
4.0	7.2	8.0	6.4	6.6	5.4	5.6		5.0													
5.5	13.0	13.8	6.9	7.4	6.0	6.2	5.4	5.6													
7.5	14.4	15.2	7.2	8.0	6.5	6.8	6.0	6.2	5.1	5.1											
11	15.9	17.4	13.3	14.1	7.2	7.7	6.7	7.1	5.7	5.9											
15	17.0	18.5	14.7	15.6	12.4	13.0	7.2	7.7	6.2	6.5		5.2									
18	28.9	31.6	15.4	16.6	13.1	13.8	12.0	12.5	6.5	6.9	5.4	5.5									
22	31.1	33.2	16.2	17.7	14.0	14.8	12.7	13.4	6.9	7.3	5.7	5.9	4.7	4.8							
30	35.9	36.5	17.0	18.5	15.2	16.3	14.1	14.9	11.8	12.3	6.3	6.5	5.3	5.5							
37	37.9	39.9	29.9	32.4	16.1	17.5	14.9	15.9	12.6	13.3	6.6	7.0	5.7	5.9			4.2				
45	39.7	44.0	32.3	34.0	17.0	18.5	15.7	17.0	13.4	14.1	7.0	7.5	6.0	6.2			4.6				
55	40.0	44.0	35.5	36.2	28.4	31.0	16.6	18.1	14.3	15.1	11.6	12.0	6.4	6.7	5.0	5.1					
75	70.5	75.8	38.7	41.4	31.7	33.6	28.5	31.2	15.5	16.7	12.7	13.5	6.9	7.4	5.5	5.7	4.3	4.2			
90	74.7	80.0	40.0	44.0	34.4	35.4	30.4	32.7	16.3	17.7	13.5	14.3	11.4	11.6	5.9	6.1	4.6	4.5			
110	81.0	74.3	40.0	44.0	37.0	38.2	33.0	34.5	27.3	29.9	14.4	15.2	12.1	12.6	6.2	6.4	4.9	5.0	4.0	4.1	370
132	88.2	89.2	69.3	74.6	38.8	41.6	36.0	36.7	28.6	31.3	15.1	16.2	12.8	13.5	6.5	6.9	5.2	5.4	4.4	4.2	
160	93.5	96.3	73.3	78.7	40.0	44.0	37.8	39.8	30.6	32.9	15.9	17.3	13.6	14.4	10.6	10.4	5.5	5.7	4.7	4.6	
200	98.0	107.0	79.8	83.6	67.0	72.1	39.9	44.0	33.7	34.9	26.9	29.4	14.6	15.4	11.4	11.7	6.0	6.2	5.0	5.1	
250	98.0	107.0	88.7	89.5	70.9	76.3	40.0	44.0	36.8	37.9	28.4	31.1	15.4	16.7	12.2	12.8			5.4	5.5	
315			94.7	98.5	76.6	81.5	69.8	75.6	39.0	42.1	30.8	33.0	26.2	28.6	13.1	13.9					490
350			97.2	103.6	80.0	83.7	71.8	77.7	39.9	44.0	32.2	33.9	26.9	29.5	13.6	14.4					
400			98.0	107.0	85.1	86.9	75.2	80.5	64.5	68.4	34.2	35.3	27.8	30.4							655
500					92.4	94.5	82.5	85.3	68.1	73.8	37.1	38.4	29.7	32.3							
600					96.9	102.9	90.1	90.6	71.5	77.3	38.8	41.8	31.9	33.8							
750					98.0	107.0	95.3	99.6	77.3	81.9	64.0	67.8	35.4	36.2							
900							98.0	107.0	83.7	86.0	67.0	72.7									887
1100									91.1	92.3	70.4	76.2									
1300									95.2	99.3	74.2	79.8									
1600											80.6	84.0									

Ordering example type FGO/FVO from page 13/26:

Motor 132 kW, $P_{\text{eff}} = 110$ kW, $n_1 = 1470$ rpm

Selection:

FLUDEX FGO/FGV coupling size 490,

Hollow shaft: Bore $\varnothing D_2 = 70H7$ mm with keyway to DIN 6885/1 and retaining screw.

Delivery with oil filling: FGO = 14.4 l / FVO = 15.2 l (see under oil filling quantities for FG/FV series in this catalog section).

Article No.:

- In type FGO:
2LC0901-1CE09-0AA0-Z
L1G+F16+Y90
Plain text to Y90: **14.4 l**
- In type FGV:
2LC0901-1ED09-0AA0-Z
L1G+F16+Y90
Plain text to Y90: **15.2 l**

FLENDER Standard Couplings

Fluid Couplings – FLUDEX Series

Oil filling quantities for FG/FV series

P_{eff}	Speed in rpm																		Size
	600		740		890		980		1180		1470		1770		2300		2950		
kW	Series		FG		FV		FG		FV		FG		FV		FG		FV		
	FG	FV	FG	FV	FG	FV	FG	FV	FG	FV	FG	FV	FG	FV	FG	FV	FG	FV	
	Oil filling quantity in l																		
2.2	7.8	8.0																	
3.0	8.7	9.1																	
4.0	9.5	9.9	7.8	8.1															
5.5	10.3	11.1	8.7	9.0															
7.5	10.9	12.0	9.5	9.9	7.9	8.3		7.4											
11	19.9	21.4	10.5	11.3	9.1	9.4	8.2	8.6											
15	22.0	23.7	10.9	12.0	9.8	10.4	9.1	9.5		7.8									
18	23.2	25.2	19.1	20.5	10.3	11.1	9.6	10.1	8.0	8.4									
22	24.3	27.0	20.3	21.9	10.9	11.7	10.1	10.8	8.6	9.0									
30	40.2	43.2	22.4	24.2	18.9	20.1	10.9	11.8	9.5	9.9		7.9							
37	42.6	45.7	23.7	26.0	20.1	21.7	18.5	19.5	10.0	10.7	8.2	8.6		6.7					
45	45.8	48.3	24.9	27.7	21.5	23.1	19.5	21.0	10.5	11.3	8.8	9.2		7.5					
55	50.1	51.2	25.5	28.0	22.8	24.6	20.8	22.5	17.5	18.3	9.3	9.7	7.8	8.1					
75	55.6	58.0	43.8	46.8	24.6	27.4	22.9	24.8	19.3	20.7	10.1	10.8	8.6	9.0		6.5			
90	58.1	63.7	47.1	49.2	25.5	28.0	23.9	26.5	20.4	22.0	10.7	11.4	9.2	9.5	7.2	7.1			
110			51.7	52.3	41.5	44.5	25.5	28.0	21.8	23.4	17.7	18.7	9.7	10.2	7.6	7.8			
132			54.7	56.3	44.0	46.9	40.3	43.3	23.0	24.9	18.7	19.9	10.1	10.9	8.1	8.4	6.3	6.1	425
160			57.4	61.9	47.5	49.5	42.5	45.6	24.0	26.7	19.8	21.4	16.7	16.8	8.6	8.9	6.8	6.6	
200			59.0	65.0	52.9	53.2	46.2	48.6	25.5	41.7	21.4	23.0	17.9	18.9	9.2	9.6	7.3	7.3	
250					56.0	58.6	51.2	51.9	41.2	44.2	22.8	24.7	19.2	20.6	14.6	14.7	7.8	8.0	
315					59.0	65.0	55.1	57.0	44.4	47.3	24.2	26.8	20.6	22.3	16.1	16.1	8.3	8.7	
350							56.6	60.0	46.2	48.6	38.0	40.3	21.4	23.0	16.7	16.8			565
400							58.4	64.4	49.0	50.5	39.3	42.2	22.2	24.0	17.4	18.1			
500									53.7	54.7	41.6	44.6	36.3	37.9	18.7	19.9			
600									56.4	59.5	44.1	47.1	37.9	40.0		21.2			
750											48.4	50.0	40.0	42.9					755
900											52.8	53.2	42.0	45.0					
1100													45.0	47.7					

Ordering example type FGD from page 13/27:

Motor 350 kW, $P_{\text{eff}} = 315$ kW, $n_1 = 1470$ rpm

Selection:

FLUDEX FGD coupling size 655, standard type,
Hollow shaft: Bore $\varnothing D_2 = 120H7$ mm with keyway to DIN 6885/1
and retaining screw,

Part 2: Bore $\varnothing D_1 =$ see ordering data table "Without finished
bore" and "With finished bore",

keyway to DIN 6885/1 and set screw.

Delivery without oil filling, no oil filling quantity specification.

Article No.:

- Without finished bore for $\varnothing D_1 = 110$ mm:
2LC0901-3CA19-0AAO
L1S
- Without finished bore for $\varnothing D_1 = 130$ mm:
2LC0901-3CA29-0AAO
L1S
- With finished bore for $\varnothing D_1 = 140H7$ mm:
2LC0901-3CA99-0AAO
L1S+M1V

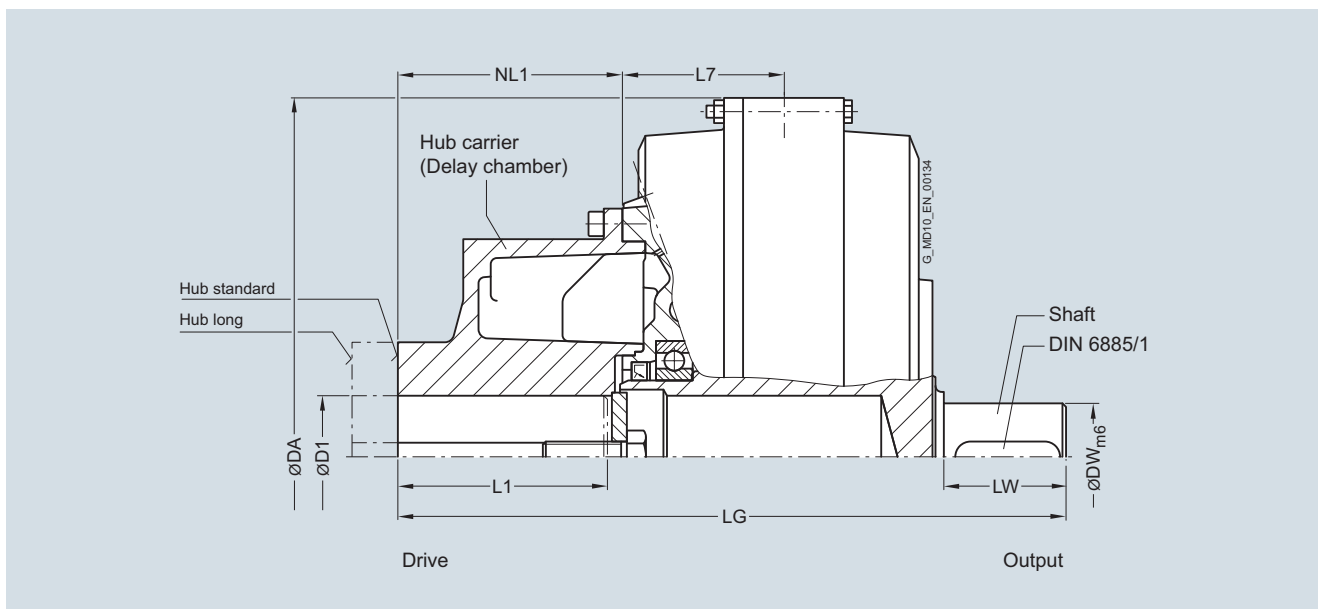
FLENDER Standard Couplings

Fluid Couplings – FLUDEX Series

Type FNO

Selection and ordering data

Type with large delay chamber and connecting shaft.



Size	Maximum speed n_{Kmax} rpm	Hub carrier Hub	Dimensions in mm Installation dimensions								Connection dimensions		Article No. with order codes for bore diameters and tolerances (article number without "-Z") – selection in catalog part 3 Available at short term	Weight m kg
			D1 Keyway to DIN 6885 min.	D1 max.	L1 max.	NL1	DA	LG	L7	DW	LW			
370	3600	Standard	38	55	110	115	420	380	101	60	70	2LC0900-8GA L..	0-1AA0	56
		Long	38	80	140	145	420	410				2LC0900-8GA L..	0-2AA0	55
425	3000	Standard	42	75	140	147	470	437	106	70	80	2LC0901-0GA L..	0-1AA0	77
		Long	42	100	170	177	470	467				2LC0901-0GA L..	0-2AA0	77
490	2600	Standard	48	75	140	148	555	485	131	70	90	2LC0901-1GA L..	0-1AA0	116
		Long	48	110	170	178	555	515				2LC0901-1GA L..	0-2AA0	116
565	2300	Standard	65	95	170	178	630	543	131	90	100	2LC0901-2GA L..	0-1AA0	158
		Long	65	120	210	218	630	583				2LC0901-2GA L..	0-2AA0	160
655	2000	Standard	65	110	210	218	736	644	156	100	125	2LC0901-3GA L..	0-1AA0	240
		Long	65	135	250	258	736	684				2LC0901-3GA L..	0-2AA0	240
755	1800	Standard	65	120	210	219	840	705	170	110	140	2LC0901-4GA L..	0-1AA0	321
		Long	65	150	250	259	840	745				2LC0901-4GA L..	0-2AA0	318
887	1500	Standard	65	150	250	251	990	835	187	120	178	2LC0901-5GA L..	0-1AA0	562
		Long	65	170	300	301	990	885				2LC0901-5GA L..	0-2AA0	563

∅D1: Without finished bore – Without order codes

With finished bore – With order codes for diameter and tolerance (article number without "-Z")

1

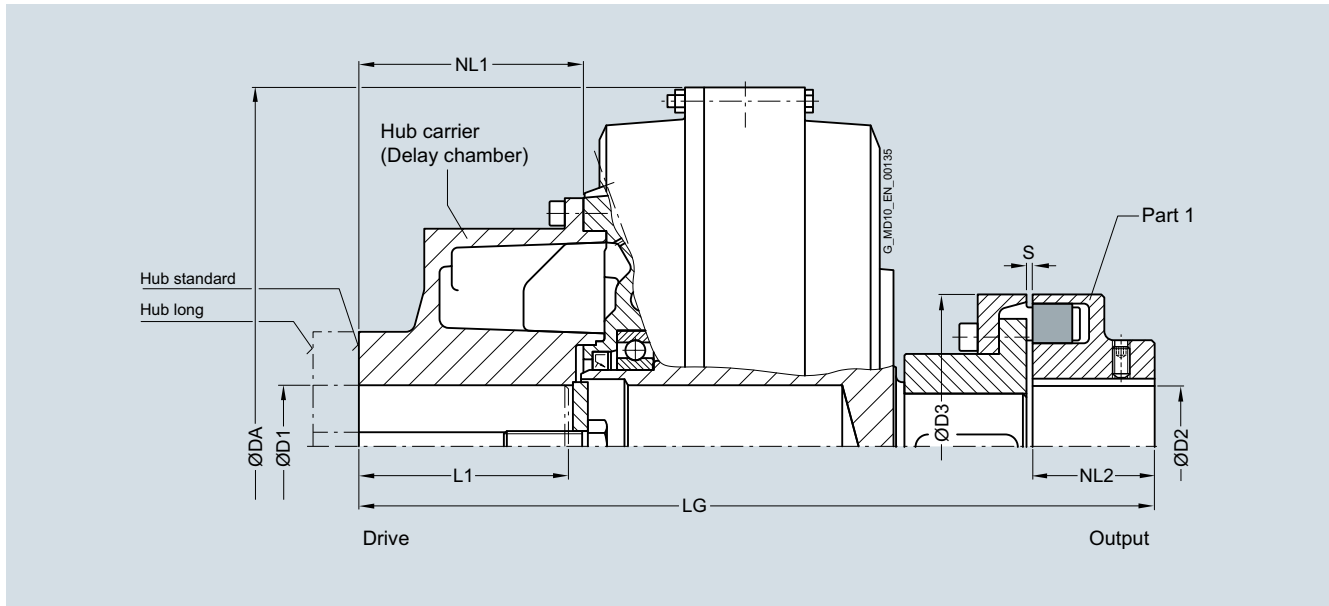
9

For centroidal distance Y and weight F_Y , see page 13/47.

For ordering example, see page 13/39.

Selection and ordering data

Type with large delay chamber and attached N-EUPEX A coupling. Enables a short fitting length.



Size	Maximum speed n_{Kmax} rpm	Hub carrier Hub	Dimensions in mm FLUDEX coupling						N-EUPEX A coupling				Article No. with order codes for bore diameters and tolerances (article number without "-Z") – selection in catalog part 3	Weight <i>m</i> kg
			D1 Keyway to DIN 6885 min.	L1 max.	NL1	DA	LG	D2 max.	NL2	D3 N-EUPEX size	S			
370	3600	Standard	38	55	110	115	420	454	75	70	180	4 ⁺² ₋₂	2LC0900-8GB ■ ■ -1AA0 L..+M..	68
		Long	38	80	140	145	420	484					2LC0900-8GB ■ ■ -2AA0 L..+M..	67
425	3000	Standard	42	75	140	147	470	521	85	80	200	4 ⁺² ₋₂	2LC0901-0GB ■ ■ -1AA0 L..+M..	93
		Long	42	100	170	177	470	551					2LC0901-0GB ■ ■ -2AA0 L..+M..	93
490	2600	Standard	48	75	140	148	555	579	90	90	225	4 ⁺² ₋₂	2LC0901-1GB ■ ■ -1AA0 L..+M..	143
		Long	48	110	170	178	555	609					2LC0901-1GB ■ ■ -2AA0 L..+M..	143
565	2300	Standard	65	95	170	178	630	648	100	100	250	5 ⁺³ ₋₂	2LC0901-2GB ■ ■ -1AA0 L..+M..	193
		Long	65	120	210	218	630	688					2LC0901-2GB ■ ■ -2AA0 L..+M..	195
655	2000	Standard	65	110	210	218	736	774	120	125	315	5 ⁺³ ₋₂	2LC0901-3GB ■ ■ -1AA0 L..+M..	311
		Long	65	135	250	258	736	814					2LC0901-3GB ■ ■ -2AA0 L..+M..	311
755	1800	Standard	65	120	210	219	840	850	140	140	350	5 ⁺³ ₋₂	2LC0901-4GB ■ ■ -1AA0 L..+M..	420
		Long	65	150	250	259	840	890					2LC0901-4GB ■ ■ -2AA0 L..+M..	417
887	1500	Standard	65	150	250	251	990	1023	160	180	440	8 ⁺² ₋₃	2LC0901-5GB ■ ■ -1AA0 L..+M..	726
		Long	65	170	300	301	990	1073					2LC0901-5GB ■ ■ -2AA0 L..+M..	727

ØD1: Without finished bore – Without order codes

With finished bore – With order codes for diameter and tolerance (article number without "-Z")

ØD2: Without finished bore from size 655 with small hub for:

Size 655 ØD2 max = 100 mm, size 755 ØD2 max = 110 mm, size 887 ØD2 max = 130 mm – Without order codes

Without finished bore from size 655 with large hub for:

Size 655 ØD2 = 88 ... 120, size 755 ØD2 = 88 ... 140, size 887 ØD2 = 118 ... 160 – Without order codes

With finished bore – With order codes for diameter and tolerance (article number without "-Z")

For centroidal distance Y and weight F_y , see page 13/47.

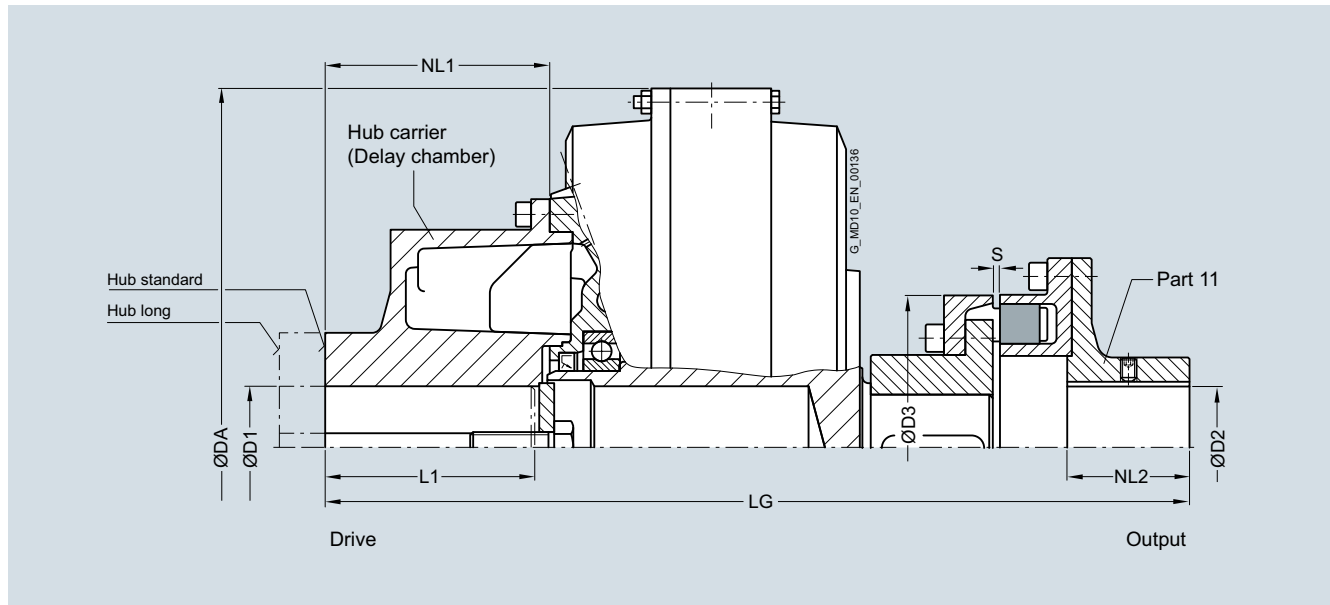
FLENDER Standard Couplings

Fluid Couplings – FLUDEX Series

Type FND

Selection and ordering data

Type with large delay chamber and attached N-EUPEX D coupling.
Enables fitting and dismantling of the coupling without displacement of the coupled shafts.



Size	Maximum speed n_{kmax} rpm	Hub carrier Hub Standard Long	Dimensions in mm FLUDEX coupling						N-EUPEX D coupling				Article No. with order codes for bore diameters and tolerances (article number without "-Z") – selection in catalog part 3	Weight m kg
			D1 Keyway to DIN 6885 min. max.	L1 max.	NL1	DA	LG	D2 max.	NL2	D3 N-EUPEX size	S			
370	3600	Standard	38	55	110	115	420	494	70	70	180	5 ⁺¹ ₋₁	2LC0900-8GC ■ ■ -1AA0 L..+M..	72
		Long	38	80	140	145	420	524					2LC0900-8GC ■ ■ -2AA0 L..+M..	71
425	3000	Standard	42	75	140	147	470	566	80	80	200	5 ⁺¹ ₋₁	2LC0901-0GC ■ ■ -1AA0 L..+M..	99
		Long	42	100	170	177	470	596					2LC0901-0GC ■ ■ -2AA L..+M..0	99
490	2600	Standard	48	75	140	148	555	629	90	90	225	5 ⁺¹ ₋₁	2LC0901-1GC ■ ■ -1AA0 L..+M..	150
		Long	48	110	170	178	555	659					2LC0901-1GC ■ ■ -2AA0 L..+M..	150
565	2300	Standard	65	95	170	178	630	706	100	100	250	6 ⁺² ₋₁	2LC0901-2GC ■ ■ -1AA0 L..+M..	204
		Long	65	120	210	218	630	746					2LC0901-2GC ■ ■ -2AA0 L..+M..	206
655	2000	Standard	65	110	210	218	736	842	110	125	315	6 ⁺² ₋₁	2LC0901-3GC ■ ■ -1AA0 L..+M..	324
		Long	65	135	250	258	736	882					2LC0901-3GC ■ ■ -2AA0 L..+M..	324
755	1800	Standard	65	120	210	219	840	921	120	140	350	6 ⁺² ₋₁	2LC0901-4GC ■ ■ -1AA0 L..+M..	440
		Long	65	150	250	259	840	961					2LC0901-4GC ■ ■ -2AA0 L..+M..	437
887	1500	Standard	65	150	250	251	990	1104	130	180	440	8 ⁺² ₋₂	2LC0901-5GC ■ ■ -1AA0 L..+M..	747
		Long	65	170	300	301	990	1154					2LC0901-5GC ■ ■ -2AA0 L..+M..	748

ØD1: Without finished bore – Without order codes

With finished bore – With order codes for diameter and tolerance (article number without "-Z")

1

9

ØD2: Without finished bore – Without order codes

With finished bore – With order codes for diameter and tolerance (article number without "-Z")

1

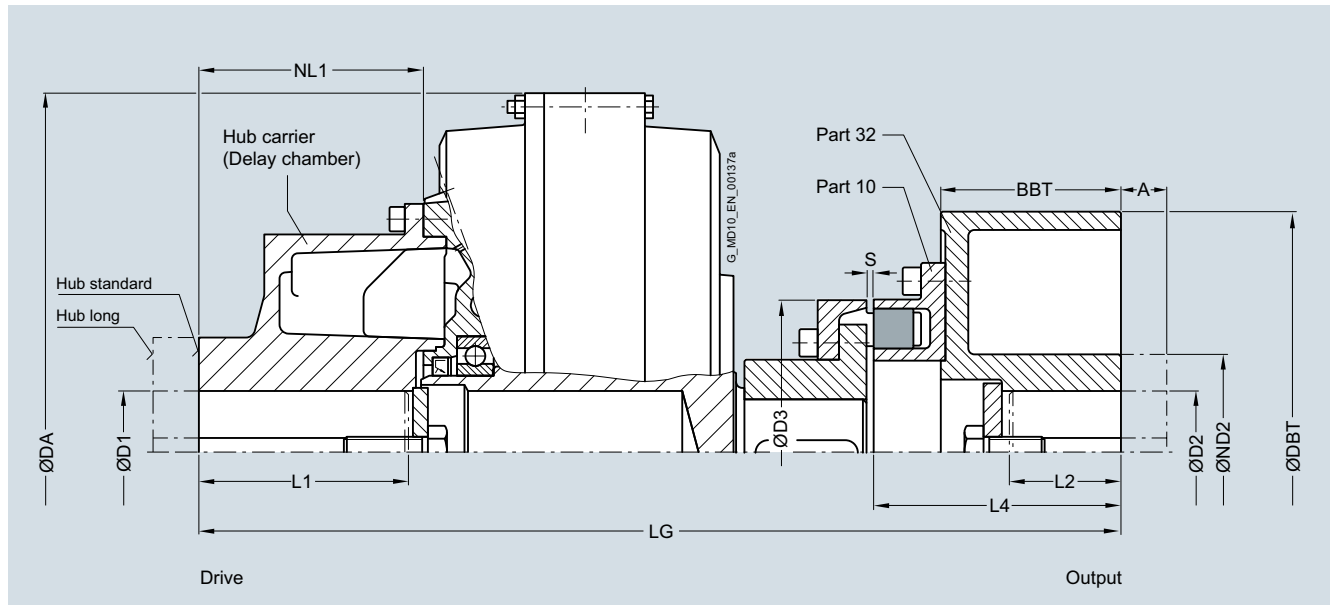
9

For centroidal distance Y and weight F_y , see page 13/47.

For ordering example, see page 13/39.

Selection and ordering data

Type with large delay chamber and attached N-EUPEX coupling and brake drum.
Enables fitting and dismantling of the coupling without displacement of the coupled shafts.



Size	Maximum speed n_{Kmax}	Hub carrier	Dimensions in mm FLUDEX coupling							N-EUPEX coupling			Part 32 – Brake drum					Article No. with order codes for bore diameters and tolerances (article number without "-Z") – selection in catalog part 3	Weight <i>m</i>	
			D1	L1	NL1	DA	LG	D3	S	L4	D2	ND2	DBT	BBT	A					
			Keyway to max. DIN 6885		min.		max.		N-EUPEX size		max.					Available at short term				
		Hub																		
370	2400 rpm	Standard	38	55	110	115	420	542	180	5 ⁺¹ ₋₁	157	80	128	315	118	50	2LC0900-8GD L..+M..	-1	A0	87
		Long	38	80	140	145	420	572									2LC0900-8GD L..+M..	-2	A0	86
	1900 rpm	Standard	38	55	110	115	420	574			189	90	160	400	150	80	2LC0900-8GD L..+M..	-1	A0	111
		Long	38	80	140	145	420	604									2LC0900-8GD L..+M..	-2	A0	110
425	2400 rpm	Standard	42	75	140	147	470	604	200	5 ⁺¹ ₋₁	162	80	128	315	118	50	2LC0901-0GD L..+M..	-1	A0	113
		Long	42	100	170	177	470	634									2LC0901-0GD L..+M..	-2	A0	113
	1900 rpm	Standard	42	75	140	147	470	636			194	90	160	400	150	80	2LC0901-0GD L..+M..	-1	A0	137
		Long	42	100	170	177	470	666									2LC0901-0GD L..+M..	-2	A0	137

ØD1: Without finished bore – Without order codes
With finished bore – With order codes for diameter and tolerance (article number without "-Z")

ØD2: Without finished bore – Without order codes
With finished bore – With order codes for diameter and tolerance (article number without "-Z")

Part 32: Small brake drum, without extension A
Small brake drum, with extension A (increase of lengths L4 and LG by the amount A)
Large brake drum, without extension A
Large brake drum, with extension A (increase of lengths L4 and LG by the amount A)

Weight *m*: Without hub prolongations "A", with set screw.

L2 denotes the shaft insertion depth.
In the case of shaft ends deviating from DIN 748/1 long the insertion depth must be specified in plain text and with "Y29".

For centroidal distance *Y* and weight *F_y*, see page 13/47.

FLENDER Standard Couplings

Fluid Couplings – FLUDEX Series

Type FNDB

Size	Maximum speed n_{Kmax}	Hub carrier	Dimensions in mm														Article No. with order codes for bore diameters and tolerances (article number without "-Z") – selection in catalog part 3	Weight <i>m</i>
			FLUDEX coupling						N-EUPEX coupling			Part 32 – Brake drum						
	rpm	Hub	D1	L1	NL1	DA	LG	D3	S	L4	D2	ND2	DBT	BBT	A		kg	
			Keyway to DIN 6885	max.	min.	max.		N-EUPEX size			max.							
490	1900	Standard	48	75	140	148	555	689	225	5 ⁺¹ ₋₁	199	90	160	400	150	80	2LC0901-1GD L..+M..	183
		Long	48	110	170	178	555	719									2LC0901-1GD L..+M..	183
	1500 ¹⁾	Standard	48	75	140	148	555	729			239	110	175	500	190	110	2LC0901-1GD L..+M..	218
		Long	48	110	170	178	555	759									2LC0901-1GD L..+M..	218
565	1900	Standard	65	95	170	178	630	756	250	6 ⁺² ₋₁	207	100	160	400	150	80	2LC0901-2GD L..+M..	234
		Long	65	120	210	218	630	796									2LC0901-2GD L..+M..	236
	1500 ¹⁾	Standard	65	95	170	178	630	796			247	110	175	500	190	110	2LC0901-2GD L..+M..	268
		Long	65	120	210	218	630	836									2LC0901-2GD L..+M..	270
655	1500 ¹⁾	Standard	65	110	210	218	736	907	315	6 ⁺² ₋₁	257	110	175	500	190	110	2LC0901-3GD L..+M..	377
		Long	65	135	250	258	736	947									2LC0901-3GD L..+M..	377
	1500	Standard	65	110	210	218	736	953			303	140	224	630	236	100	2LC0901-3GD L..+M..	437
		Long	65	135	250	258	736	993									2LC0901-3GD L..+M..	437
755	1500	Standard	65	120	210	219	840	1018	350	6 ⁺² ₋₁	307	140	224	630	236	100	2LC0901-4GD L..+M..	541
		Long	65	150	250	259	840	1058									2LC0901-4GD L..+M..	538
887	1300	Standard	65	150	250	251	990	1190	440	8 ⁺² ₋₂	347	160	265	710	265	-	2LC0901-5GD L..+M..	892
		Long	65	170	300	301	990	1240									2LC0901-5GD L..+M..	893

ØD1:	Without finished bore – Without order codes	1	
	With finished bore – With order codes for diameter and tolerance (article number without "-Z")	9	
ØD2:	Without finished bore – Without order codes	1	
	With finished bore – With order codes for diameter and tolerance (article number without "-Z")	9	
Part 32:	Small brake drum, without extension A		A
	Small brake drum, with extension A (increase of lengths L4 and LG by the amount A)		B
	Large brake drum, without extension A		C
	Large brake drum, with extension A (increase of lengths L4 and LG by the amount A)		D

Weight *m*: Without hub prolongations "A", with set screw.

Ordering example:

Motor 55 kW, $P_{eff} = 45$ kW, $n_1 = 1470$ rpm

Selection:

FLUDEX FNDB coupling size 370, standard type,
Hub carrier: Long hub bore ØD1 = 65H7 mm with keyway to
DIN 6885/1 and set screw,

Part 32: Ø315 x 118, bore ØD2 = 80H7 mm with keyway to
DIN 6885/1 and retaining screw,
with electronic or mechanical operation monitoring, seal set
Perbunan.

Delivery without oil filling, no oil filling quantity specification.

Article No.:

- With brake drum part 32 Ø315 x 118:
2LC0900-8GD99-2AA0
L1F+M1J
- With brake drum part 32 Ø400 x 150 extended:
2LC0900-8GD99-2DA0
L1F+M1J

¹⁾ With version of brake drum in grey cast iron: Maximum speed 1800 rpm possible.

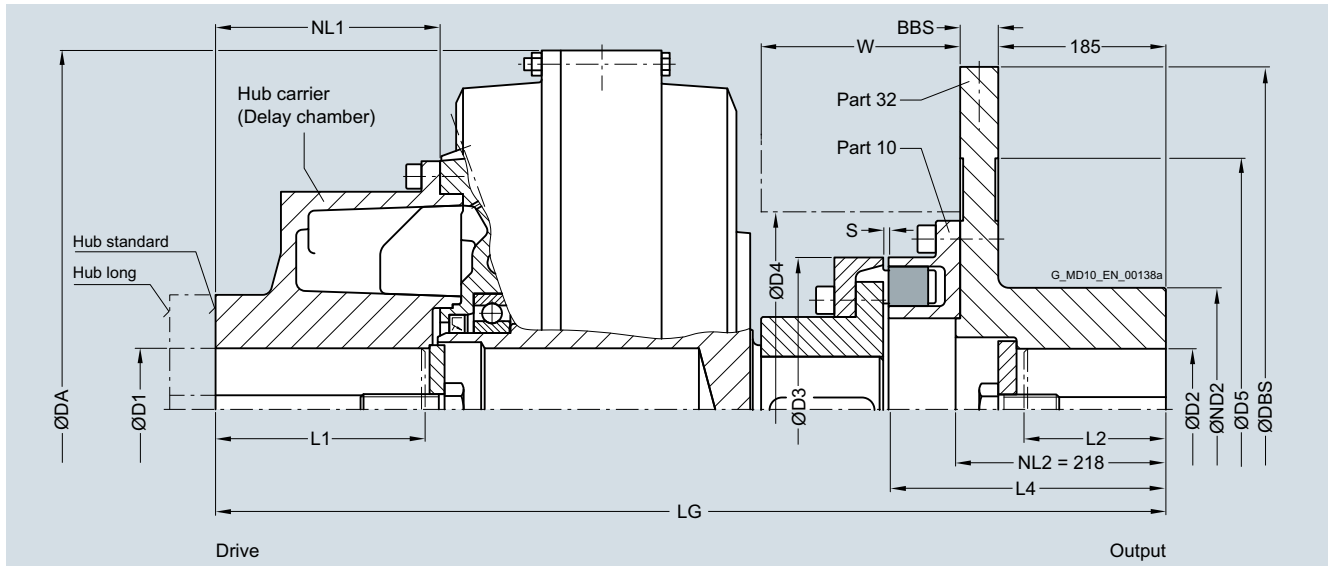
FLENDER Standard Couplings

Fluid Couplings – FLUDEX Series

Type FNDS SB with large delay chamber and brake disk for stopping brake

Selection and ordering data

Type with large delay chamber, attached N-EUPEX coupling and brake disk for stopping brakes. Enables fitting and dismounting of the coupling without displacement of the coupled shafts.



Size	Maximum speed n_{kmax} rpm	Hub carrier	Dimensions in mm FLUDEX coupling						N-EUPEX coupling		Part 32 – Brake disk ¹⁾		Space dimensions		Article No. with order codes for bore diameters and tolerances (article number without "-Z") – selection in catalog part 3 Available at short term	Weight m kg				
			D1 Keyway to DIN 6885 min. max.	L1 max.	NL1	DA	LG	D3 N-EUPEX size	S	L4 max.	D2	ND2	DBS	BBS			D5	D4	W	
370	2100	Standard	38	55	110	115	420	642	180	5^{+1}_{-1}	257	80	145	450	30	300	222	130	2LC0900-8GE ■ ■ -1CA0 L..+M..	116
		Long	38	80	140	145	420	672											2LC0900-8GE ■ ■ -2CA0 L..+M..	115
425	1900	Standard	42	75	140	147	470	704	200	5^{+1}_{-1}	262	80	160	500	30	340	250	144	2LC0901-0GE ■ ■ -1BA0 L..+M..	155
		Long	42	100	170	177	470	734											2LC0901-0GE ■ ■ -2BA0 L..+M..	155
490	1800	Standard	48	75	140	148	555	757	225	5^{+1}_{-1}	267	90	160	560	30	370	276	162	2LC0901-1GE ■ ■ -1BA0 L..+M..	212
		Long	48	110	170	178	555	787											2LC0901-1GE ■ ■ -2BA0 L..+M..	212
565	1800	Standard	65	95	170	178	630	824	250	6^{+2}_{-1}	275	100	175	630	30	440	317	179	2LC0901-2GE ■ ■ -1BA0 L..+M..	279
		Long	65	120	210	218	630	864											2LC0901-2GE ■ ■ -2BA0 L..+M..	281
655	1800	Standard	65	110	210	218	736	935	315	6^{+2}_{-1}	285	100	175	630	30	440	385	200	2LC0901-3GE ■ ■ -1AA0 L..+M..	388
		Long	65	135	250	258	736	975											2LC0901-3GE ■ ■ -2AA0 L..+M..	388
755	1500	Standard	65	120	210	219	840	1000	350	6^{+2}_{-1}	289	140	220	710	30	520	435	219	2LC0901-4GE ■ ■ -1AA0 L..+M..	518
		Long	65	150	250	259	840	1040											2LC0901-4GE ■ ■ -2AA0 L..+M..	515
887	1200	Standard	65	150	250	251	990	1144	440	8^{+2}_{-2}	301	140	220	800	30	610	525	268	2LC0901-5GE ■ ■ -1AA0 L..+M..	828
		Long	65	170	300	301	990	1194											2LC0901-5GE ■ ■ -2AA0 L..+M..	829

ØD1: Without finished bore – Without order codes
With finished bore – With order codes for diameter and tolerance (article number without "-Z")

ØD2: Without finished bore – Without order codes
With finished bore – With order codes for diameter and tolerance (article number without "-Z")

L2 denotes the shaft insertion depth.
In the case of shaft ends deviating from DIN 748/1 long the insertion depth must be specified in plain text and with "Y29".

¹⁾ Hub reduction possible; specify article number with "-Z" and order code "Y99" with dimension NL2 in plain text.

For centroidal distance Y and weight F_y , see page 13/47.

For ordering example, see page 13/40.

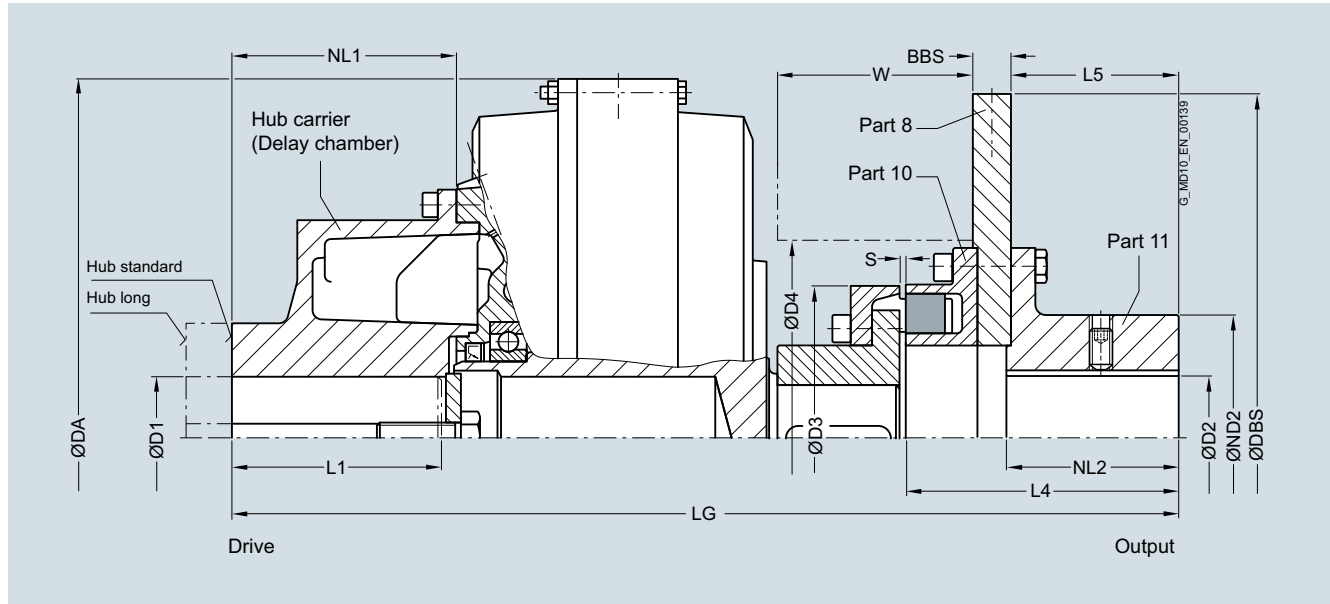
FLENDER Standard Couplings

Fluid Couplings – FLUDEX Series

Type FNDS HB with large delay chamber and brake disk for blocking brake

Selection and ordering data

Type with large delay chamber, attached N-EUPEX coupling and brake disk for blocking brakes. Enables fitting and dismantling of the coupling without displacement of the coupled shafts.



Size	Maximum speed n_{kmax} rpm	Hub carrier Hub Standard Long	Dimensions in mm														Article No. with order codes for bore diameters and tolerances (article number without "-Z") – selection in catalog part 3 Available at short term	Weight m kg			
			FLUDEX coupling				N-EUPEX coupling				Part 8 – Brake disk/ part 11 – hub				Space dimensions						
			D1	L1	NL1	DA	LG	D3	S	L4	D2	NL2	ND2	DBS	BBS	L5 ¹⁾	D4	W			
370	3200	Standard	38	55	110	115	420	555	180	5 ⁺¹ ₋₁	170	80	118	130	355	16	115	222	127	2LC0900-8GF ■ ■ -1AA0 L..+M..	87
		Long	38	80	140	145	420	585												2LC0900-8GF ■ ■ -2AA0 L..+M..	86
425	3000	Standard	42	75	140	147	470	617	200	5 ⁺¹ ₋₁	175	80	118	130	355	16	115	250	141	2LC0901-0GF ■ ■ -1AA0 L..+M..	115
		Long	42	100	170	177	470	647												2LC0901-0GF ■ ■ -2AA0 L..+M..	115
490	2600	Standard	48	75	140	148	555	670	225	5 ⁺¹ ₋₁	180	90	118	135	400	16	115	276	159	2LC0901-1GF ■ ■ -1AA0 L..+M..	166
		Long	48	110	170	178	555	700												2LC0901-1GF ■ ■ -2AA0 L..+M..	166
565	2300	Standard	65	95	170	178	630	737	250	6 ⁺² ₋₁	188	100	118	160	450	16	115	317	176	2LC0901-2GF ■ ■ -1AA0 L..+M..	224
		Long	65	120	210	218	630	777												2LC0901-2GF ■ ■ -2AA0 L..+M..	226
655	2000	Standard	65	110	210	218	736	848	315	6 ⁺² ₋₁	198	100	118	170	500	16	115	385	197	2LC0901-3GF ■ ■ -1AA0 L..+M..	347
		Long	65	135	250	258	736	888												2LC0901-3GF ■ ■ -2AA0 L..+M..	347
755	1800	Standard	65	120	210	219	840	961	350	6 ⁺² ₋₁	250	140	164	225	630	20	160	435	215	2LC0901-4GF ■ ■ -1AA0 L..+M..	495
		Long	65	150	250	259	840	1001												2LC0901-4GF ■ ■ -2AA0 L..+M..	492
887	1500	Standard	65	150	250	251	990	1105	440	8 ⁺² ₋₂	262	140	164	225	710	20	160	525	264	2LC0901-5GF ■ ■ -1AA0 L..+M..	799
		Long	65	170	300	301	990	1155												2LC0901-5GF ■ ■ -2AA0 L..+M..	800

∅D1: Without finished bore – Without order codes
With finished bore – With order codes for diameter and tolerance (article number without "-Z")

∅D2: Without finished bore – Without order codes
With finished bore – With order codes for diameter and tolerance (article number without "-Z")

For centroidal distance Y and weight F_y , see page 13/47.

For ordering example, see page 13/40.

¹⁾ Hub reduction possible; specify article number with "-Z" and order code "Y99" with dimension L5 in plain text.

FLENDER Standard Couplings

Fluid Couplings – FLUDEX Series

Oil filling quantities for FN series

Selection and ordering data

This assignment is valid for a maximum starting torque
 $T_{\max} = 1.3 \times T_{\text{eff}}$ and mineral oils with a viscosity of
 VG 22/VG 32.

If other operating fluids are used, or with drive via the shaft or
 $T_{\max} \neq 1.3 \times T_{\text{eff}}$, changed filling quantities must be observed!

P_{eff} kW	Speed in rpm										Size	
	600	740	890	980	1180	1470	1770	2300	2950	3550		
1.1	5.6											
2.2	7.1	5.7										
3.0	7.9	6.4	5.1									
4.0	8.2	7.0	5.8	5.1								
5.5	14.4	7.8	6.5	5.9								
7.5	16.0	8.2	7.2	6.5	5.3							
11	18.2	14.7	8.2	7.4	6.2							
15	19.0	16.3	13.4	8.2	6.8	5.4						
18	33.5	17.3	14.4	12.9	7.2	5.8						
22	35.4	18.6	15.4	13.9	7.8	6.2	4.9					
30	38.5	19.0	17.0	15.5	12.5	6.9	5.7					
37	41.6	34.3	18.4	16.6	13.7	7.4	6.1	4.4				
45	45.0	36.2	19.0	17.7	14.7	7.9	6.6	4.7				
55	45.0	38.2	32.9	19.0	15.8	12.2	7.0	5.3				
75	76.5	43.0	35.8	33.1	17.4	14.0	7.8	6.0	4.3			
90	80.5	45.0	37.6	34.8	18.7	14.9	11.7	6.4	4.6			
110	85.2	45.0	40.1	36.7	31.8	16.0	13.1	6.8	5.1			
132	89.5	74.7	43.3	38.6	33.2	16.9	14.0	7.2	5.6	4.3	370	
160	95.6	80.0	45.0	41.5	35.0	18.1	15.0	10.7	6.0	4.7		
200	105.5	84.5	71.5	45.0	37.1	31.1	16.2	11.8	6.5	5.2		
250	110.0	89.7	76.9	45.0	39.7	33.0	17.4	13.2		5.8		
315		97.5	82.4	76.5	43.8	35.1	30.2	14.5			490	
350		102.1	84.6	78.4	45.0	36.1	31.2	15.0				
400		108.9	87.6	81.2	68.0	37.4	32.3				655	
500			94.1	86.1	73.3	40.2	34.2					
600			101.4	90.6	78.1	43.5	35.9					
750			110.0	98.5	82.9	66.9	38.2					
900				107.2	86.8	72.7					887	
1100					92.1	77.1						
1300					98.2	80.4						
1600						84.9						

Ordering example type FNO from page 13/32:

Motor 110 kW, $P_{\text{eff}} = 90$ kW, $n_1 = 1470$ rpm, maximum output torque $T_{\max} = 1.3 \times T_{\text{eff}}$

Selection:

FLUDEX FNO coupling size 425,
 Hub carrier: Standard hub bore $\varnothing D1 = 75H7$ mm with keyway to
 DIN 6885/1 and retaining screw,
 seal set Viton.

Specification of oil filling quantity: 12.4 l (see under oil filling quantities for the FN series in this catalog section).

Article No.:

- With 110 °C fuse:
2LC0901-0GA90-1AA0-Z
L1H+Y90+F05
 Plain text to Y90: **12.4 I**
- With 140 °C fuse:
2LC0901-0GA90-1AA0-Z
L1H+Y90+F07
 Plain text to Y90: **12.4 I**
- With 160 °C fuse:
2LC0901-0GA90-1AA0-Z
L1H+Y90+F08
 Plain text to Y90: **12.4 I**

Ordering example type FND from page 13/34:

Motor 132 kW, $P_{\text{eff}} = 110$ kW, $n_1 = 1470$ rpm

Selection:

FLUDEX FND coupling size 490,
 Hub carrier: Long hub bore $\varnothing D1 = 80H7$ mm with keyway to
 DIN 6885/1 and set screw,
 Part 11: Bore $\varnothing D1 = 80H7$ mm with keyway to DIN 6885/1 and
 set screw,
 with electronic or mechanical operation monitoring, seal set
 Perbunan.
 Delivery without oil filling, no oil filling quantity specification.

Article No.:

- With 110 °C thermal switch:
2LC0901-1GC99-2AA0-Z
L1J+M1J+F03
- With 125 °C EOC transmitter:
2LC0901-1GC99-2AA0-Z
L1J+M1J+F04

FLENDER Standard Couplings

Fluid Couplings – FLUDEX Series

Oil filling quantities for FN series

P_{eff} kW	Speed in rpm									Size
	600	740	890	980	1180	1470	1770	2300	2950	
2.2	8.5									
3.0	9.7									
4.0	10.7	8.6								
5.5	12.0	9.7								
7.5	12.5	10.7	8.8	7.7						
11	22.6	12.2	10.2	9.2						
15	25.2	12.5	11.2	10.2	8.3					
18	26.6	21.4	12.0	10.8	8.9					
22	28.6	23.1	12.5	11.6	9.6					
30	44.1	25.7	21.1	12.5	10.7	8.5				
37	46.8	27.5	22.9	20.5	11.4	9.2	7.1			
45	49.5	29.0	24.5	22.0	12.3	9.8	7.8			
55	52.4	29.0	26.1	23.7	18.7	10.5	8.6			
75	58.5	47.8	29.0	26.3	21.7	11.6	9.7	6.9		
90	63.8	50.5	29.0	27.9	23.2	12.4	10.3	7.4		
110		53.5	45.6	29.0	24.9	19.0	11.0	8.3		
132		57.0	47.9	44.3	26.3	20.9	11.7	8.9	6.6	425
160		62.0	50.8	46.7	28.1	22.5	17.4	9.6	6.9	
200		67.0	54.2	49.9	42.1	24.3	19.5	10.3	7.6	
250			59.0	53.1	45.3	26.2	21.6	16.0	8.6	
315			66.2	57.6	48.3	28.3	23.5	16.7	9.3	
350				60.3	49.9	40.8	24.4	17.4		565
400				64.4	51.8	42.6	25.5	18.5		
500					55.4	45.7	37.8	20.8		
600					59.8	48.1	40.6	22.3		
750						51.3	43.7			755
900						54.2	46.1			
1100							48.8			
1200							50.1			

Ordering example type FNDS SB from page 13/37:

Motor 37 kW, $P_{\text{eff}} = 30$ kW, $n_1 = 1470$ rpm

Selection:

FLUDEX FNDS SB coupling size 370,
Hub carrier: Standard hub bore $\text{ØD1} = 55\text{H7}$ mm with keyway to
DIN 6885/1 and retaining screw,
Part 32: Bore $\text{ØD2} = 75\text{H7}$ mm with keyway to DIN 6885/1 and
retaining screw,
with preservation suitable for indoor storage.
Delivery without oil filling, no oil filling quantity specification.

Article No.:

- With standard preservation:
2LC0900-8GE99-1CA0
L1D+M1H
- With preservation for 6 months:
2LC0900-8GE99-1CA0-Z
L1D+M1H+B31
- With preservation for 24 months:
2LC0900-8GE99-1CA0-Z
L1D+M1H+B28
- With preservation for 36 months:
2LC0900-8GE99-1CA0-Z
L1D+M1H+B34

Ordering example type FNDS HB from page 13/38:

Motor 200 kW, $P_{\text{eff}} = 160$ kW, $n_1 = 1470$ rpm

Selection:

FLUDEX FNDS HB coupling size 490,
Hub carrier: Long hub bore $\text{ØD1} = 110\text{H7}$ mm with keyway to
DIN 6885/1 and set screw,
Part 11: Bore $\text{ØD2} = 80\text{H7}$ mm with keyway to DIN 6885/1 and
set screw,
Fitting position: Horizontal/vertical motor underneath (MU).
Delivery without oil filling, no oil filling quantity specification.

Article No.:

- In horizontal version:
2LC0901-1GF99-2AA0
L1Q+M1J
- In vertical version MU:
2LC0901-1GF99-2AA0-Z
L1Q+M1J+F14

Selection and ordering data

Apply to standard catalog couplings

Flexible elements for N-EUPEX add-on coupling

Series	FLUDEX size	Type	N-EUPEX size	Number flexibles per set	Article No. (FFA) for one set flexibles
FA	222	FAK ¹⁾ ; FAKB ¹⁾	95	6	FFA:000001194870
		Other types	110	6	FFA:000001194871
	297	FAK ¹⁾ ; FAKB ¹⁾	125	6	FFA:000001194872
		FAK ²⁾ ; FAKB ²⁾	125	6	FFA:000001194873
		Other types	125	6	FFA:000001194873
	342	All types	140	6	FFA:000001194874
	395	FAD ¹⁾ ; FAE ¹⁾ ; FADB ¹⁾	225	8	FFA:000001194875
		FAD ²⁾ ; FAE ²⁾ ; FADB ²⁾	225	8	FFA:000001194876
		Other types	225	8	FFA:000001194876
	450	FAD ¹⁾ ; FAE ¹⁾ ; FADB ¹⁾	250	8	FFA:000001194877
		FAD ²⁾ ; FAE ²⁾ ; FADB ²⁾	250	8	FFA:000001194878
		Other types	250	8	FFA:000001194878
	516	FAD ¹⁾ ; FADB ¹⁾	315	9	FFA:000001194879
		FAD ²⁾ ; FADB ²⁾	315	9	FFA:000001194880
		Other types	315	9	FFA:000001194880
	590	All types until 2010	315	9	FFA:000001194879
All types from 2011 on		315	9	FFA:000001194880	
FG/FV	370	All types	180	8	FFA:000001194881
	425		225	8	FFA:000001194876
	490		250	8	FFA:000001194878
	565		280	8	FFA:000001194882
	655		350	9	FFA:000001194883
	755		400	10	FFA:000001194884
	887		440	10	FFA:000001194885
	FN	370	FNDB ØDBT = 400 ³⁾	200	8
All types			180	8	FFA:000001194881
425		All types	200	8	FFA:000001194886
490		FNDB ØDBT = 500 ³⁾	250	8	FFA:000001194878
		All types	225	8	FFA:000001194876
565		All types	250	8	FFA:000001194878
655			315	9	FFA:000001194880
755			350	9	FFA:000001194883
887		440	10	FFA:000001194885	

¹⁾ For couplings up to and including year of construction 2003.

²⁾ For couplings from year of construction 2004.

³⁾ For couplings up to and including year of construction 2007.

FLENDER Standard Couplings

Fluid Couplings – FLUDEX Series

Spare parts

Thermal equipment

FLUDEX size	Thread	Part no.	Fuse element	Response temperature	Marking	Article No. (FFA) for one unit
222	M10	103 + 104 ¹⁾ 203 + 204 ¹⁾	Fusible safety plug	110 °C	yellow	FFA:000001194896
				140 °C	red	FFA:000001194897
				160 °C	green	FFA:000001194898
	M10	153 + 104 ¹⁾	Oil filler plug	–		FFA:000001194894
297	M10	153 + 104 ¹⁾	Oil filler plug	–		FFA:000001194894
297 - 887	M18 x 1.5	103 ²⁾ 203 ²⁾	Fusible safety plug	110 °C	yellow	FFA:000001250338
				140 °C	red	FFA:000001250339
				160 °C	green	FFA:000001250380
	M18 x 1.5	110 ²⁾ 210 ²⁾	Thermal switch	110 °C		FFA:000001361795
				140 °C		FFA:000001361796
	M18 x 1.5	153 ²⁾ 163 ²⁾	Oil filler plug (except size 887) Screw plug	–		FFA:000001337653
	–	301	Cut-out device	–		FFA:000000652020
	–	142 + 104 ¹⁾	EOC transmitter with seal	125 °C		FFA:000001194899
–	245	Sensor EOC	–		FFA:000000361460	
–	244	Evaluation instrument EWD 20 ... 250 V AC/DC	–		FFA:000001205294	
370 - 755	M10	173 + 174 ¹⁾	Oil drain plug - delay chamber	–		FFA:000001194894
887	M30 x 1.5	153 + 154 ¹⁾	Oil filler plug (up to and including year of construction 2007)	–		FFA:000001194893
				–		FFA:000001349554
	M16	173 + 174 ¹⁾	Oil drain plug - delay chamber	–		FFA:000001194895

Sealing and rolling bearing sets for the FA series (except type FAR)

FLUDEX size	Seal set material	Article No. (FFA) for one seal set	Article No. (FFA) for one rolling bearing set
222 (Up to and including year of construction 2000)	NBR	FFA:000001194900	FFA:000001194800
222 (From year of construction 2001)	NBR	FFA:000001194901	FFA:000001194801
	FPM	FFA:000001194902	
297 (Up to and including year of construction 2000)	NBR	FFA:000001194903	FFA:000001194802
	FPM	FFA:000001194904	
297 (From year of construction 2001)	NBR	FFA:000001194905	FFA:000001194803
	FPM	FFA:000001194906	
342	NBR	FFA:000001194907	FFA:000001194804
	FPM	FFA:000001194908	
395	NBR	FFA:000001194909	FFA:000001194805
	FPM	FFA:000001194910	
450	NBR	FFA:000001194911	FFA:000001194806
	FPM	FFA:000001194912	
516	NBR	FFA:000001194913	FFA:000001194807
	FPM	FFA:000001194914	
590	NBR	FFA:000001194915	FFA:000001194808
	FPM	FFA:000001194916	

¹⁾ With separate sealing ring.

²⁾ With integrated sealing ring.

FLENDER Standard Couplings

Fluid Couplings – FLUDEX Series

Spare parts

Seal and rolling bearing sets for type FAR¹⁾

FLUDEX size	Variant	Up to and including year of construction	From year of construction	Seal set material	Article No. (FFA) for one seal set	Article No. (FFA) for one rolling bearing set	
222	2 x SPZ 100	2000	2001	NBR	FFA:000001194917	FFA:000001194809	
				NBR	FFA:000001194918	FFA:000001194810	
				FPM	FFA:000001194919		
	3 x SPZ 160		2001	NBR	FFA:000001194920	FFA:000001194811	
				FPM	FFA:000001194921		
297	5 x SPZ 140	2000		NBR	FFA:000001194922	FFA:000001194812	
				FPM	FFA:000001194923		
	7 x SPZ 140	2000		NBR	FFA:000001194924	FFA:000001194813	
				FPM	FFA:000001194925		
	5 x SPZ 150	2001	2001	NBR	FFA:000001194926	FFA:000001194814	
4 x SPA 190	FPM			FFA:000001194927			
5 x SPA 224	NBR			FFA:000001194928			
342	5 x SPA 180			FPM	FFA:000001194929		
				NBR	FFA:000001194930	FFA:000001194815	
				FPM	FFA:000001194931		
	7 x SPA 180	2000		NBR	FFA:000001194932	FFA:000001194816	
				FPM	FFA:000001194933		
				NBR	FFA:000001194934	FFA:000001194817	
395	5 x SPB 224			FPM	FFA:000001194935		
				NBR	FFA:000001194936	FFA:000001194818	
	7 x SPB 224	2000		FPM	FFA:000001194937		
				NBR	FFA:000001194938	FFA:000001194819	
	7 x SPB 236		2001	FPM	FFA:000001194939		
				NBR	FFA:000001194938	FFA:000001194819	
450	8 x SPB 250	2000		NBR	FFA:000001194940	FFA:000001194820	
				FPM	FFA:000001194941		
				∅D1 ≤ 75	2001	NBR	FFA:000001194942
				2001	FPM	FFA:000001194943	
					NBR	FFA:000001194944	FFA:000001194822
	10 x SPB 250	2000			FPM	FFA:000001194945	
					NBR	FFA:000001194946	FFA:000001194823
516	10 x SPB 315	2000		NBR	FFA:000001194948	FFA:000001194824	
				FPM	FFA:000001194949		
				NBR	FFA:000001194950	FFA:000001194825	
				2001	FPM	FFA:000001194951	
					NBR	FFA:000001194952	FFA:000001194826
590	12 x SPC 315	2000		FPM	FFA:000001194953		
				NBR	FFA:000001194954	FFA:000001194827	
				FPM	FFA:000001194955		
			2001	NBR	FFA:000001194956	FFA:000001194828	
				FPM	FFA:000001194957		

¹⁾ Spare parts valid only for specified pulleys. When enquiring for other numbers of grooves, please quote original delivery number.

FLENDER Standard Couplings

Fluid Couplings – FLUDEX Series

Spare parts

Seal and rolling bearing sets for the FG/FV/FN series

FLUDEX size	Series	Additional bore specifications	Seal set material	Article No. (FFA) for one seal set	Article No. (FFA) for one rolling bearing set
370	FG		NBR	FFA:000001194958	Up to and including year of construction 2000: FFA:000001194850
			FPM	FFA:000001194959	
	FV/FN		NBR	FFA:000001194960	From year of construction 2001: FFA:000001194851
			FPM	FFA:000001194961	
425	FG		NBR	FFA:000001194962	FFA:000001194852
			FPM	FFA:000001194963	
	FV/FN		NBR	FFA:000001194964	
			FPM	FFA:000001194965	
490	FG		NBR	FFA:000001194966	FFA:000001194853
			FPM	FFA:000001194967	
	FV/FN		NBR	FFA:000001194968	
			FPM	FFA:000001194969	
565	FG		NBR	FFA:000001194970	FFA:000001194854
			FPM	FFA:000001194971	
	FV/FN		NBR	FFA:000001194972	
			FPM	FFA:000001194973	
655	FG	$\text{ØD2} \leq 100$	NBR	FFA:000001194974	FFA:000001194855
			FPM	FFA:000001194975	
		$\text{ØD2} > 100$	NBR	FFA:000001194976	FFA:000001194856
			FPM	FFA:000001194977	
	FV	$\text{ØD2} \leq 100$	NBR	FFA:000001194978	FFA:000001194855
			FPM	FFA:000001194979	
		$\text{ØD2} > 100$	NBR	FFA:000001194980	FFA:000001194856
			FPM	FFA:000001194981	
	FN		NBR	FFA:000001194978	FFA:000001194855
			FPM	FFA:000001194979	
755	FG	$\text{ØD2} \leq 110$	NBR	FFA:000001194982	FFA:000001194857
			FPM	FFA:000001194983	
		$\text{ØD2} > 110$	NBR	FFA:000001194984	FFA:000001194858
			FPM	FFA:000001194985	
	FV	$\text{ØD2} \leq 110$	NBR	FFA:000001194986	FFA:000001194857
			FPM	FFA:000001194987	
		$\text{ØD2} > 110$	NBR	FFA:000001194988	FFA:000001194858
			FPM	FFA:000001194989	
	FN		NBR	FFA:000001194990	FFA:000001194859
			FPM	FFA:000001194991	
887	FG		FPM	FFA:000001194993	FFA:000001194860
	FV/FN		FPM	FFA:000001194992	

FLENDER Standard Couplings

Fluid Couplings – FLUDEX Series

Mass moments of inertia
and maximum oil filling quantities

Technical data

FA series (for type FAR, see separate table)

FLUDEX size	Series	Types	FAD	FAE	FAM	FADB	FADS SB	FADS HB	Oil filling quantity
	FA	FAO							max.
	J_I kgm ²	J_A kgm ²	J_A kgm ²	J_A kgm ²	J_A kgm ²	J_A kgm ²	J_A kgm ²	J_A kgm ²	l
222	0.014	0.056	0.061	0.061	0.060	0.084	0.287	0.109	1.65
297	0.040	0.173	0.193	0.193	0.193	0.226	0.673	0.246	4.2
342	0.092	0.314	0.356	0.352	0.353	0.469	1.002	0.420	6.6
395	0.203	0.660	0.745	0.730	–	1.030	1.814	1.150	9.5
450	0.404	1.087	1.217	1.217	–	1.497	3.611	1.818	13.4
516	0.896	2.109	2.439	–	–	3.359	5.969	3.238	22.7
590	1.295	3.455	3.785	–	–	6.605	7.315	4.584	33

Type FAR

FLUDEX size	J_I	J_A	Oil filling quantity		
	kgm ²	kgm ²	max. l		
222	0.014	2 x SPZ 100 0.062	3 x SPZ 160 0.071	1.65	
297	0.107	5 x SPZ 150 0.202	4 x SPA 190 0.235	5 x SPA 224 0.273	4.2
342	0.095	5 x SPA 180 0.386		6.6	
395	5 x SPB = 0.214 7 x SPB = 0.210	5 x SPB 224 0.840	7 x SPB 236 0.960	7 x SPB 280 1.144	9.5
450	0.426	8 x SPB 250 1.467		13.4	
516	0.946	10 x SPB 315 3.209		22.7	
590	1.375	12 x SPC 315 4.955		33	

FLENDER Standard Couplings

Fluid Couplings – FLUDEX Series

Mass moments of inertia and maximum oil filling quantities

FG/FV series

FLUDEX size	Series		Types								Oil filling quantity	
	FG	FV	FGO	FVO	FGD	FVD	FGE	FVE	FGM	FVM	FG max. l	FV max. l
	J_I kgm ²	J_I kgm ²	J_A kgm ²	J_A kgm ²	J_A kgm ²	J_A kgm ²	J_A kgm ²	J_A kgm ²	J_A kgm ²	J_A kgm ²		
370	0.191	0.191	0.519	0.551	0.571	0.603	0.571	0.603	0.571	0.603	7.2	8
425	0.342	0.342	0.819	0.876	0.989	1.046	0.974	1.031	0.963	1.020	11	12
490	0.723	0.723	1.992	2.110	2.312	2.430	2.272	2.390	2.264	2.382	17	18.5
565	1.269	1.269	3.216	3.441	3.696	3.921	3.636	3.861	3.616	3.841	25.5	28
655	2.567	2.567	7.287	7.757	8.687	9.157	–	–	–	–	40	44
755	4.856	4.856	12.575	13.291	14.775	15.491	–	–	–	–	59	65
887	11.817	11.817	26.832	28.212	30.102	31.482	–	–	–	–	98	107

FN series (for type FNDB, see separate table)

FLUDEX size	Hub carrier	Series		Types				Weights		Oil filling quantity max. l
		FN	FNO	FNA	FND	FNDS SB	FNDS HB	Y	F _Y	
	Hub	J_A kgm ²	J_I kgm ²	J_I kgm ²	J_I kgm ²	J_I kgm ²	J_I kgm ²	mm	N	
370	Standard	0.657	0.237	0.281	0.320	1.180	0.386	197	685	8.2
	Long	0.647						227		
425	Standard	1.107	0.343	0.470	0.491	1.841	0.659	224	970	12.5
	Long	1.102						254		
490	Standard	2.480	0.737	0.954	0.999	3.009	1.285	235	1450	19
	Long	2.474						265		
565	Standard	4.175	1.364	1.715	1.835	5.075	2.081	278	2050	29
	Long	4.251						318		
655	Standard	9.319	2.567	3.587	3.777	6.777	4.701	330	3100	45
	Long	9.523						370		
755	Standard	15.616	4.910	6.878	7.198	12.078	9.689	352	4300	67
	Long	15.950						392		
887	Standard	33.662	11.832	15.132	16.632	24.030	20.428	406	7250	110
	Long	34.462						456		

FLENDER Standard Couplings

Fluid Couplings – FLUDEX Series

Mass moments of inertia
and maximum oil filling quantities

Type FNDB

FLUDEX size	Hub carrier	Brake drum	J_A	J_I	Weights Y mm	F_Y N	Oil filling quantity max. l
370	Standard	ØDBT x BBT	0.657	0.640	197	685	8.2
		Ø400 x 150					
	Long	Ø315 x 118	0.647	0.640	227		
		Ø400 x 150					
425	Standard	Ø315 x 118	1.107	0.811	224	970	12.5
		Ø400 x 150					
	Long	Ø315 x 118	1.102	0.811	254		
		Ø400 x 150					
490	Standard	Ø400 x 150	2.480	1.994	235	1450	19
		Ø500 x 190					
	Long	Ø400 x 150	2.474	1.994	265		
		Ø500 x 190					
565	Standard	Ø400 x 150	4.175	2.835	278	2050	29
		Ø500 x 190					
	Long	Ø400 x 150	4.251	2.835	318		
		Ø500 x 190					
655	Standard	Ø500 x 190	9.319	6.677	330	3100	45
		Ø630 x 236					
	Long	Ø500 x 190	9.523	6.677	370		
		Ø630 x 236					
755	Standard	Ø630 x 236	15.616	15.178	352	4300	67
	Long		15.950		392		
887	Standard	Ø710 x 265	33.662	30.832	406	7250	110
	Long		34.462		456		

J_I Mass moment of inertia of the inner rotor (hollow shaft (106)/shaft (106) + blade wheel (105) + any parts of the add-on coupling connected to them) in kgm^2

J_A Mass moment of inertia of the outer housing (shell (101) + cover (102) + any hub carrier (120) or add-on coupling) in kgm^2

Mass moments of inertia J (including the power-transmitting oil filling components) apply to maximum bores

Y Centroidal distance of the drive-side coupling masses, measured from the hub end face of the hub carrier.

F_Y Effective weight in mass center including maximum oil filling quantity

FLENDER Standard Couplings

Fluid Couplings – FLUDEX Series

Special types

Selection and ordering data

Selection of additional ordering data

Special types	Additional ordering data "-Z" with order code and, if necessary with plain text specification
Oil filling	
Without oil filling and without oil filling quantity specification stamped on the coupling	Without addition – standard
With oil filling (specification of oil filling quantity "+Y90" required)	F16
With specification of oil filling quantity	Y90 • and orderer specification
Thermal equipment	
Standard type (fuse 140 °C, seal set Perbunan)	Without addition – standard
Fuse 110 °C, seal set Perbunan	F01
Explosion protection in conformity to the current ATEX Directive, seal set Perbunan	F02
Thermal switch 110 °C, fuse 140 °C, seal set Perbunan (option not available with size 222)	F03
EOC transmitter 125 °C, fuse 160 °C, seal set Perbunan (option not available with size 222)	F04
Explosion protection in conformity to the current ATEX Directive, seal set Viton	F06
Fuse 110 °C, seal set Viton	F05
Fuse 140 °C, seal set Viton	F07
Fuse 160 °C, seal set Viton	F08
Thermal switch 110 °C, fuse 140 °C, seal set Viton (option not available with size 222)	F10
Thermal switch 140 °C, fuse 160 °C, seal set Viton (option not available with size 222)	F11
EOC transmitter 125 °C, fuse 160 °C, seal set Viton (option not available with size 222)	F12
Accessories for thermal monitoring equipment	
With switchgear	F25
With sensor and evaluation instrument	F26
For preservation, see catalog section 3	
Drive	
Standard drive side	Without addition – standard
FA series with housing drive	F23
FG/FV/FN series with impeller drive	F24
Position	
Horizontal version	Without addition – standard
Vertical version, motor overhead (option not permitted in FV and FN series)	F13
Vertical version, motor underneath	F14

- This order code designates only the type price – plain text required additionally.

FLENDER Standard Couplings

Fluid Couplings – FLUDEX Series

Special types

Special types	Additional ordering data "-Z" with order code and, if necessary with plain text specification
Shaft and bore	
Shaft insertion depth to DIN 748/1	Without addition – standard
Shaft insertion depth 1 deviating from DIN 748/1	Y28 and plain text specification for L1
Shaft insertion depth 2 deviating from DIN 748/1	Y29 and plain text specification for L2
Bore tolerance ISO H7	Without addition – standard ¹⁾
Bore tolerance ISO K7 for hollow shafts with imperial bores	L13/M13 ¹⁾
Bore tolerance ISO M7 for hub parts with imperial bores	L14/M14 ¹⁾
Keyway to DIN 6885/1 or DIN 6885/3 keyway width JS9	Without addition – standard
Keyway to ASME B17.1, if necessary with reduced keyway depth	L43/M43 ¹⁾
2 parallel keyways set 180° apart	L46/M46 ¹⁾
Half parallel key balancing (before keyseating)	Without addition – standard
Full parallel key balancing (after keyseating)	L52/M52 ¹⁾
Internal add-on parts	
No additional internal add-on parts	Without addition – standard
With baffle plate (only for FA series)	F17
For documentation, test certificates and acceptances, see catalog section 3 ²⁾	
No test certificate, acceptance certificates	Without addition – standard
Other additions	
Micro-balancing, high speed	W03
With special fixed bearings	F20 ³⁾
With additional dust seal	F21 ³⁾
Special data	Y99 and plain text specification

¹⁾ Order code "L.." for hollow shaft side and "M.." for opposite side.

²⁾ Surface crack and ultrasound testing are not possible on FLUDEX couplings.

³⁾ Fitting length on request.

FLENDER Standard Couplings

Fluid Couplings – FLUDEX Series

Technical specifications for the selection of type and size for FLUDEX fluid couplings

Please complete as far as possible and return to your Siemens Sales Office.

1. Intended use of coupling

- As starting aid For overload protection For torsional vibration isolation

2. Data for prime mover

- 2.1. Electric motor characteristic enclosed
 Power rating $P_1 =$ kW at speed $n_1 =$ rpm
 Starting: Direct Star delta Other:
 Motor shaft: \varnothing x length mm
- 2.2. Internal combustion engine Number of cylinders:
 Planned max. power rating: kW at rpm
 Operating range min. power rating: kW at rpm
 Attachment via shaft \varnothing x length mm Attachment to flywheel SAE"
 Motor rigidly Motor flexibly installed on foundation/base frame

3. Data for driven machine

- 3.1. Type of driven machine:
- 3.2. Required power rating P_2 : kW at $n_2 =$ rpm
- 3.3. Mass moment of inertia $J =$ kgm^2 (based on n_2)
- 3.4. Operational cycle: uniform operation non uniform operation
- 3.4.1. Starting frequency min.: 1 x / day 1 x / week 1 x / month Continuous operation (min. 2 months without stopping)
- Starting frequency max.: < 3 x in succession Number in succession:
 < 5 x / hour Number per hour:
- 3.4.2. Duty cycle per operational cycle: 60 - 100 % DC = %
- 3.4.3. Dimensions of the gear unit/machine shaft on the coupling side \varnothing x length mm

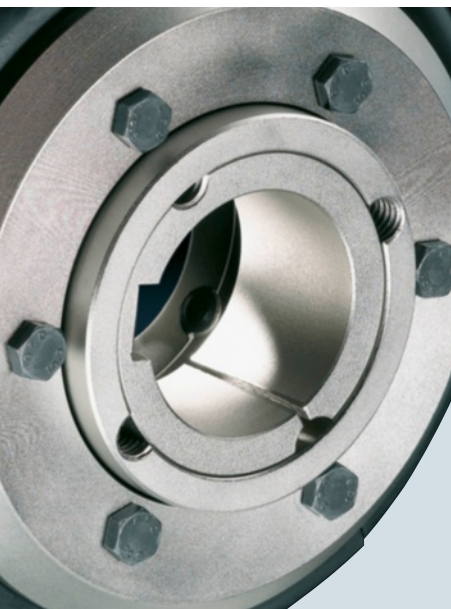
4. Ambient conditions

- 4.1. Place of installation: < 1000 m above sea-level m above sea-level
 out of doors in narrow space other:
- 4.2. Temperature of the ambient air (cooling air): min. °C max. °C
- 4.3. Fitting into guard bell housing
 Holes: with large (well ventilated) with small (less well ventilated)
 without holes: with forced ventilation without forced ventilation
- 4.4. Environment: normally dusty extremely dusty abrasively dusty
 aggressive atmosphere:
- 4.5. Use in potentially explosive atmospheres
 in conformity with ATEX: II 2 G c T3 IIB -30 °C $\leq T_a \leq +50$ °C / II 2 D T160 °C -30 °C $\leq T_a \leq +50$ °C / I M2
 other class:

5. Arrangement of coupling

- 5.1. horizontal at an angle (max 20°) vertical: motor overhead vertical: motor underneath
- 5.2 between: and:
 Motor Driven machine
 Gear unit ($n_1 =$ rpm) Gear unit
 Transmission/belt drives Transmission/belt drives

Taper Clamping Bushes



14/2 [Overview](#)

14/2 [Benefits](#)

14/2 [Application](#)

14/3 [Design](#)

14/4 **Bores in metric sizes**

14/4 [Selection and ordering data](#)

14/5 Available metric bore diameters and order codes

14/5 Shallow keyway dimensions

14/6 **Bores in imperial sizes (inches)**

14/6 [Selection and ordering data](#)

14/7 Available imperial bore diameters (inches) and order codes

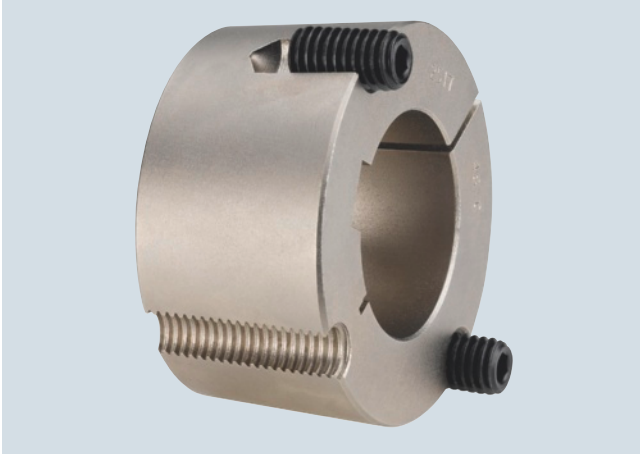
14/7 Shallow keyway dimensions

FLENDER Standard Couplings

Taper Clamping Bushes

General information

Overview



Taper clamping bushes are machine elements which connect a machine shaft with a hub part positively and non-positively. The machine shaft must be designed as a cylinder with a keyway. The hub part must have a conical mounting hole with special threads and forcing-off holes.

Each Taper clamping bush size is available with a large number of metric or imperial holes in inches and can therefore connect the respective hub part to shafts of different diameters.

Benefits

Hub parts must frequently be provided with a finished bore to receive the machine shaft. In the case of very economically priced hub parts, this remachining is frequently costlier than the component itself. With the Taper clamping bush, a very simple and economically priced shaft/hub connection which can be used without remachining is achieved.

Although the dimensions of the Taper clamping bushes are not standardized, standard dimensions have become accepted, so that replacement Taper clamping bushes are nearly always available locally. Since in Europe and North America unfortunately different fixing bolts (UNC and BSW threads) are used, these Taper clamping bushes are not interchangeable.

Thanks to standard dimensioning, Taper clamping bushes can be used in different hub parts, thus facilitating storage. Taper clamping bushes are also standard stock at many specialist dealers and so are readily available.

Application

Taper clamping bushes are used in ELPEX-B and ELPEX-S coupling types. Taper clamping bushes are also used in pulleys, sprockets and, with the aid of a welded-on hub, in other components.

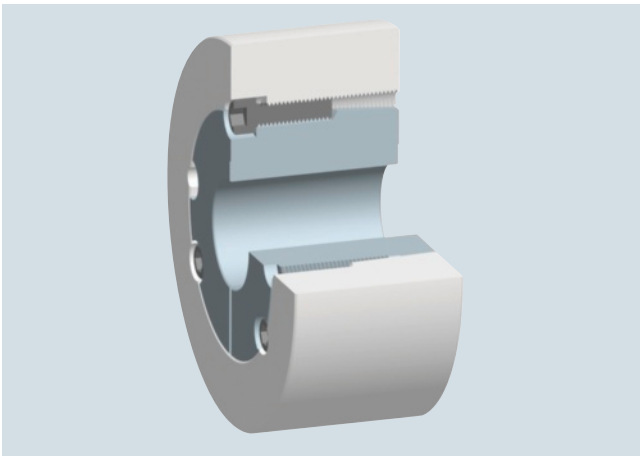
Design

Taper clamping bushes are designed with a cylindrical bore and a parallel keyway. A Taper clamping bush has a tapered outside diameter and fits into the taper bore of the hub part. The Taper clamping bush has a slot running along its length. To fit, half blind holes are drilled in the Taper clamping bush, while on the opposite side half thread turns are cut in the hub part. With the aid of the fitting bolts, which are supported on the base of the blind holes, the Taper clamping bush is pushed into the taper bore. The Taper clamping bush is compressed, thus generating a parallel key and clamp connection between shaft and hub part.

To dismantle, the fitting bolts are removed and screwed into the forcing-off threads. The forcing-off threads are cut half in the Taper clamping bush and half in a blind hole in the hub part. When the forcing-off bolts are fitted, the Taper clamping bush is forced out of the taper hub bore. The connection is broken.

The Taper clamping bush and the fitting and dismantling bolts are always screwed in from the larger outer diameter side of the taper.

The torque is transmitted via the clamping connection and the parallel key. No axial fixture is required with normal axial forces, as the clamping connection is sufficient.



Materials

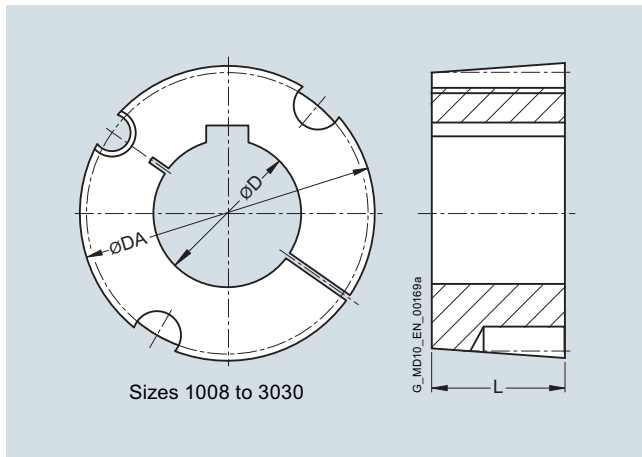
Grey cast iron EN-GJL-220 to 250
alternatively: Steel

FLENDER Standard Couplings

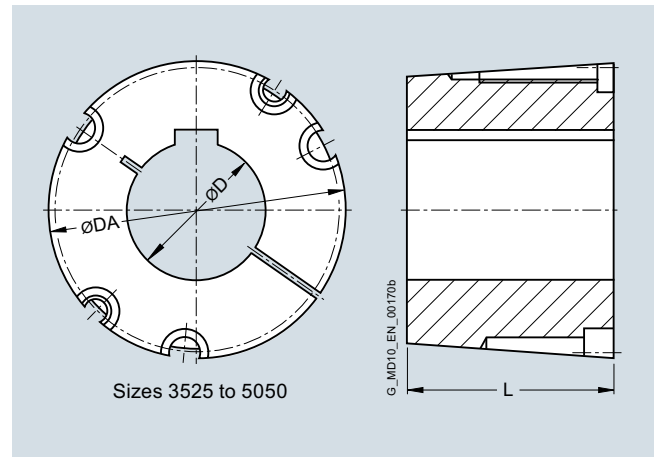
Taper Clamping Bushes

Bores in metric sizes

Selection and ordering data



Sizes 1008 to 3030



Sizes 3525 to 5050

Fitting with 2 set screws

Fitting with 3 bolts with hexagon socket

Size	Dimensions			L	Fixing bolts		Offset screwdriver DIN ISO 2936 (DIN 911)		Article No. with order codes for bore diameter (article number without "-Z")	Weight	
	D	DA			DS	LS	Spanner width S	Space requirement S+l		min. bore	max. bore
	min.	max.								m	m
	mm	mm	mm	BSW	Inch	mm	mm	kg	kg		
1008	10	25	35	22	1/4	1/2	3	23	2LC0020-0AA90-0AA0	0.12	0.06
1108	10	28	38	22	1/4	1/2	3	23	2LC0020-1AA90-0AA0	0.15	0.07
1210	11	32	47	25	3/8	5/8	5	33	2LC0020-2AA90-0AA0	0.27	0.15
1215	11	32	47	38	3/8	5/8	5	33	2LC0020-3AA90-0AA0	0.39	0.20
1610	14	42	57	25	3/8	5/8	5	33	2LC0020-5AA90-0AA0	0.38	0.18
1615	14	42	57	38	3/8	5/8	5	33	2LC0020-6AA90-0AA0	0.56	0.25
2012	14	50	70	32	7/16	7/8	5	33	2LC0020-7AA90-0AA0	0.75	0.36
2517	16	60	85	45	1/2	1	6	38	2LC0021-0AA90-0AA0	1.58	0.78
3020	25	75	108	51	5/8	1 1/4	8	44	2LC0021-2AA90-0AA0	2.79	1.44
3030	35	75	108	76	5/8	1 1/4	8	44	2LC0021-3AA90-0AA0	3.78	2.00
3525	35	90	127	65	1/2	1 1/2	10	50	2LC0021-4AA90-0AA0	4.77	2.07
3535	35	90	127	89	1/2	1 1/2	10	50	2LC0021-5AA90-0AA0	6.34	3.08
4030	40	100	146	77	5/8	1 3/4	12	57	2LC0021-6AA90-0AA0	7.61	4.80
4040	40	100	146	102	5/8	1 3/4	12	57	2LC0021-7AA90-0AA0	9.62	5.06
4535	55	125	162	89	3/4	2	14	70	2LC0021-8AA90-0AA0	10.06	4.09
4545	55	110	162	114	3/4	2	14	70	2LC0022-0AA90-0AA0	12.56	7.06
5040	70	125	178	102	7/8	2 1/4	14	70	2LC0022-1AA90-0AA0	11.42	4.92
5050	70	125	178	127	7/8	2 1/4	14	70	2LC0022-2AA90-0AA0	15.99	8.75

Ordering example:

Taper clamping bush 3020 with bore D = 55 mm

Article No.:

2LC0021-2AA90-0AA0**L1D**

Taper clamping bushes must be fitted with a parallel key. The positively operating torque transmission via shaft without keyway is not permitted.

FLENDER Standard Couplings

Taper Clamping Bushes

Bores in metric sizes

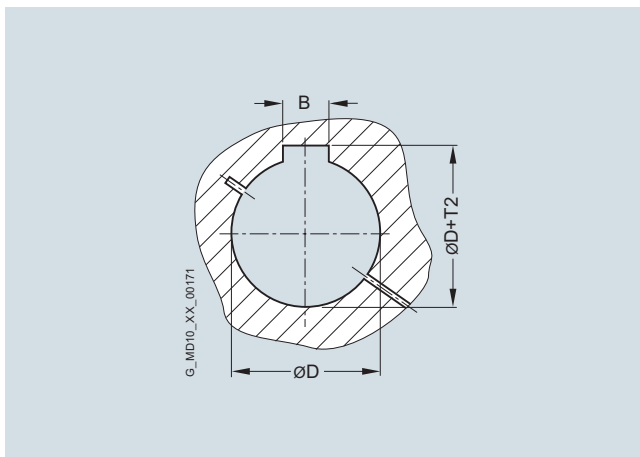
Available metric bore diameters in mm and order codes

Bore diameter D mm	Taper clamping bush size																Order code for bore diameter (without "-Z")
	1008	1108	1210	1610	1615	2012	2517	3020	3030	3525	3535	4030	4040	4535	4545	5040 5050	
10																	LOE
11																	LOF
12																	LOG
14																	LOH
16																	LOJ
18																	LOK
19																	LOL
20																	LOM
22																	LON
24	ST-FN																LOP
25	ST-FN																LOQ
28		ST-FN															LOR
30																	LOS
32			ST														LOT
35																	LOU
38																	LOV
40				ST	ST												LOW
42				ST-FN	ST-FN												LOX
45																	L1A
48																	L1B
50																	L1C
55																	L1D
60																	L1E
65																	L1F
70																	L1G
75																	L1H
80																	L1J
85																	L1K
90																	L1L
95										ST							L1M
100										ST-FN							L1N
105											ST						L1P
110											ST						L1Q
115											ST-FN		ST				L1R
120													ST				L1S
125													ST				L1T

ST = Taper clamping bush in steel

FN = Taper clamping bush with shallow keyway

Shallow keyway dimensions



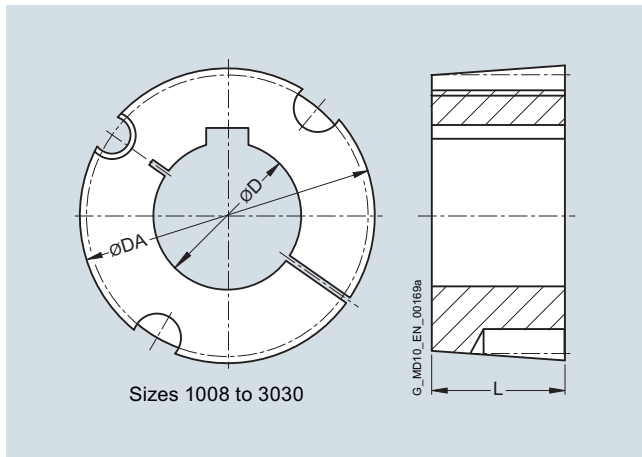
Taper clamping bush		Keyway to DIN 6885	
Size	Diameter D mm	Keyway width B mm	Keyway depth D + T2 mm
1008	24	8	D + 2.0
1008	25	8	D + 1.3
1108	28	8	D + 2.0
1610/15	42	12	D + 2.2
3525	100	28	D + 4.4
4030	115	32	D + 5.4

FLENDER Standard Couplings

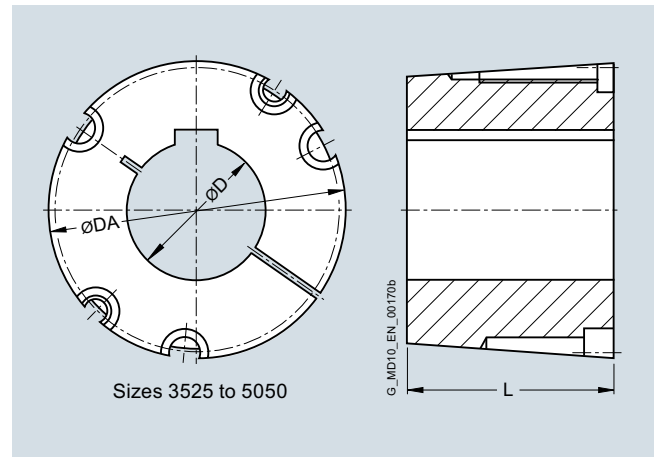
Taper Clamping Bushes

Bores in imperial sizes (inches)

Selection and ordering data



Sizes 1008 to 3030



Sizes 3525 to 5050

Fitting with 2 set screws

Fitting with 3 bolts with hexagon socket

Size	Dimensions			L	Fixing bolts		Offset screwdriver DIN ISO 2936 (DIN 911)		Article No. with order codes for bore diameter (article number without "-Z")	Weight			
	D	DA			DS	LS	Spanner width S	Space requirement S+l		min.	max.		
	Keyway BS46 -1											bore	bore
	min.	max.									m	m	
Inch	Inch	mm	BSW	Inch	mm	mm	kg	kg					
1008	3/8	1	35	22	1/4	1/2	3	23	2LC0020-0AA90-0AA0	0.12	0.06		
1108	3/8	1 1/8	38	22	1/4	1/2	3	23	2LC0020-1AA90-0AA0	0.15	0.06		
1210	5/8	1 1/4	47	25	3/8	5/8	5	33	2LC0020-2AA90-0AA0	0.25	0.15		
1215	5/8	1 1/4	47	38	3/8	5/8	5	33	2LC0020-3AA90-0AA0	0.36	0.21		
1610	1/2	1 5/8	57	25	3/8	5/8	5	33	2LC0020-5AA90-0AA0	0.39	0.18		
1615	1/2	1 5/8	57	38	3/8	5/8	5	33	2LC0020-6AA90-0AA0	0.57	0.26		
2012	5/8	2	70	32	7/16	7/8	5	33	2LC0020-7AA90-0AA0	0.74	0.34		
2517	5/8	2 1/2	85	45	1/2	1	6	38	2LC0021-0AA90-0AA0	1.55	0.67		
3020	1 1/8	3	108	51	5/8	1 1/4	8	44	2LC0021-2AA90-0AA0	2.74	1.39		
3030	1 1/4	3	108	76	5/8	1 1/4	8	44	2LC0021-3AA90-0AA0	3.87	1.93		
3525	1 1/2	4	127	65	1/2	1 1/2	10	50	2LC0021-4AA90-0AA0	4.69	1.62		
3535	1 1/2	3 1/2	127	89	1/2	1 1/2	10	50	2LC0021-5AA90-0AA0	6.23	3.18		
4030	1 3/4	4 1/2	146	77	5/8	1 3/4	12	57	2LC0021-6AA90-0AA0	7.30	3.00		
4040	1 3/4	4	146	102	5/8	1 3/4	12	57	2LC0021-7AA90-0AA0	9.41	4.89		
4535	2 1/4	5	162	89	3/4	2	14	70	2LC0021-8AA90-0AA0	9.94	3.86		
4545	2 1/4	4 1/2	162	114	3/4	2	14	70	2LC0022-0AA90-0AA0	12.4	6.47		
5040	2 7/8	5	178	102	7/8	2 1/4	14	70	2LC0022-1AA90-0AA0	12.9	7.07		
5050	2 7/8	5	178	127	7/8	2 1/4	14	70	2LC0022-2AA90-0AA0	15.7	8.41		

Ordering example:

Taper clamping bush 3020 with bore D = 2 Inch

Article No.:

2LC0021-2AA90-0AA0

L6G

FLENDER Standard Couplings Taper Clamping Bushes

Bores in imperial sizes (inches)

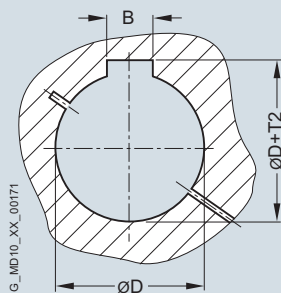
Available imperial bore diameters in inches and order codes

Bore diameter D Inch	Taper clamping bush size																Order code for bore diameter (without "-Z")	
	1008	1108	1210	1610	1615	2012	2517	3020	3030	3525	3535	4030	4040	4535	4545	5040		
0.375																		L5D
0.500																		L5E
0.625																		L5G
0.750																		L5J
0.875																		L5L
1.000	FN																	L5N
1.125		ST-FN																L5Q
1.250																		L5S
1.375																		L5U
1.500																		L5W
1.625					FN													L6A
1.750																		L6C
1.875																		L6E
2.000																		L6G
2.125																		L6J
2.250																		L6L
2.375																		L6N
2.500																		L6Q
2.625																		L6S
2.750																		L6U
2.875																		L6W
3.000																		L7A
3.125																		L7C
3.250																		L7E
3.375																		L7G
3.500																		L7J
3.750										ST-FN								L7N
4.000										ST-FN								L7S
4.250											ST							L7U
4.500											ST-FN							L7X
4.750														ST				L8A
5.000														ST-FN				L8D

ST = Taper clamping bush in steel

FN = Taper clamping bush with shallow keyway

Shallow keyway dimensions



Taper clamping bush		Keyway to BS 46 - 1	
Size	Diameter D mm	Keyway width B mm	Keyway depth D + T2 mm
1008	25.400	6.350	D + 1.321
1108	28.575	7.925	D + 1.626
1615	41.275	11.100	D + 2.616
3525	95.250	25.400	D + 6.223
3525	101.600	25.400	D + 3.937
4030	114.300	31.750	D + 6.477
4535	127.000	31.750	D + 6.553

FLENDER Standard Couplings

Taper Clamping Bushes

Notes

14

Appendix



15/2	Fits
15/2	<u>Overview</u>
15/2	Fitting recommendations
15/2	Deviation table to DIN ISO 286
15/2	Cylindrical shaft ends
15/2	Central holes according to DIN 332 Part 2
15/3	Parallel key connections
15/3	<u>Overview</u>
15/3	Parallel key connections to DIN 6885-1
15/4	Partner at Siemens
15/5	Information and Ordering in the Internet and on DVD
15/5	Siemens Industry Automation and Drive Technologies in the WWW
15/5	Product Selection Using the Interactive Catalog CA 01
15/5	Easy Shopping with the Industry Mall
15/6	Information and Download Center
15/6	Downloading Catalogs
15/7	Your machines and plant can do more – with Industry Services.
15/8	Industry Services for the entire life cycle
15/8	Online Support
15/8	Technical Support
15/9	Spare Parts
15/9	Repair Services
15/9	Field Services
15/10	Subject index
15/17	Article number index
15/18	Conditions of sale and delivery

FLENDER Standard Couplings

Appendix

Fits

Overview

Fitting recommendations

Description	Application	Shaft tolerance	Bore tolerance
Sliding fit with parallel key connection not suitable for reversing operation	For steel and cast hubs	j6	H7
		h6	J7
Press fit with parallel key connection not suitable for reversing operation	For steel and cast hubs	h6	K7
		k6	H7
Interference fit with parallel key connection suitable for reversing operation	For steel and cast hubs	m6	H7
		n6	H7
		h6	M7
Interference fit with parallel key connection suitable for reversing operation	Only for steel hubs Preferred for ZAPEX and ARPEX coupling series.	h6	P7
		k6	M7
		m6	K7
		n6	J7
		p6	H7
		s6	F7
Shrink fit connection without parallel key	Only for steel hubs The permitted hub tension must be urgently checked.	u6	H6
		v6	H6
		x6	H6

For many applications, the fit assignment m6/H7 is especially suitable.

Deviation table to DIN ISO 286 for above-mentioned fits for bore diameters from 10 mm to 250 mm

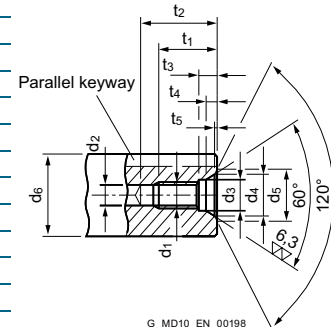
Diameter		Bore					Shaft						
over	to	F7	H7	J7	K7	M7	P7	h6	j6	k6	m6	n6	p6
Deviations in μm													
10	18	+34	+18	+10	+6	0	-11	0	+8	+12	+18	+23	+29
		+16	0	-8	-12	-18	-29	-11	-3	+1	+7	+12	+18
18	30	+41	+21	+12	+6	0	-14	0	+9	+15	+21	+28	+35
		+20	0	-9	-15	-21	-35	-13	-4	+2	+8	+15	+22
30	50	+50	+25	+14	+7	0	-17	0	+11	+18	+25	+33	+42
		+25	0	-11	-18	-25	-42	-16	-5	+2	+9	+17	+26
50	80	+60	+30	+18	+9	0	-21	0	+12	+21	+30	+39	+51
		+30	0	-12	-21	-30	-51	-19	-7	+2	+11	+20	+32
80	120	+71	+35	+22	+10	0	-24	0	+13	+25	+35	+45	+59
		+36	0	-13	-25	-35	-59	-22	-9	+3	+13	+23	+37
120	180	+83	+40	+26	+12	0	-28	0	+14	+28	+40	+52	+68
		+43	0	-14	-28	-40	-68	-25	-11	+3	+15	+27	+43
180	250	+96	+46	+30	+13	0	-33	0	+16	+33	+46	+60	+79
		+50	0	-16	-33	-46	-79	-29	-13	+4	+17	+31	+50

Cylindrical shaft ends, extract from DIN 748 Part 1 (long)

ISO tolerance zone	Diameter in mm																				
	24	25	28	30	32	35	38	40	42	45	48	50	55	60	65	70	75	80	85	90	95
End length in mm	k6											m6									
	50	60	80			110						140			170			210			

Central holes according to DIN 332 Part 2

Recommended diameter ranges d_6 1)		Form DS									
over	to	d_1	d_2 2)	d_3	d_4	d_5	t_1	t_2	t_3	t_4	t_5
7	10	M3	2.5	3.2	5.3	5.8	9	12	2.6	1.8	0.2
10	13	M4	3.3	4.3	6.7	7.4	10	14	3.2	2.1	0.3
13	16	M5	4.2	5.3	8.1	8.8	12.5	17	4	2.4	0.3
16	21	M6	5	6.4	9.6	10.5	16	21	5	2.8	0.4
21	24	M8	6.8	8.4	12.2	13.2	19	25	6	3.3	0.4
24	30	M10	8.5	10.5	14.9	16.3	22	30	7.5	3.8	0.6
30	38	M12	10.2	13	18.1	19.8	28	37	9.5	4.4	0.7
38	50	M16	14	17	23	25.3	36	45	12	5.2	1.0
50	85	M20	17.5	21	28.4	31.3	42	53	15	6.4	1.3
85	130	M24	21	25	34.2	38	50	63	18	8	1.6
130	225	M30 ^{*)}	26.5	31	40.2	44.6	60	77	22	8	1.9
225	320	M36 ^{*)}	32	37	49.7	55	74	93	22	11	2.3
320	500	M42 ^{*)}	37.5	43	60.3	66.6	84	105	26	15	2.7



G_MD10_EN_00198

Form DS (with thread) DIN 332/2

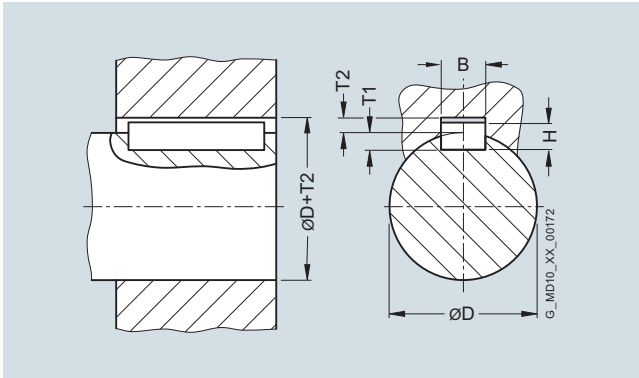
*) Dimensions not acc. to DIN 332 Part 2.

1) Diameter refers to the finished workpiece.

2) Tap hole drill diameter according to DIN 336 Part 1.

Overview

Parallel key connections to DIN 6885-1



For moderate operating conditions, the hub keyway tolerance JS9 is recommended.

In harsh operating conditions or during reversing operation, the keyway width tolerance P9 must be preferred.

With two parallel keyways, the keyway width tolerance JS9 should be specified in order to simplify the assembly.

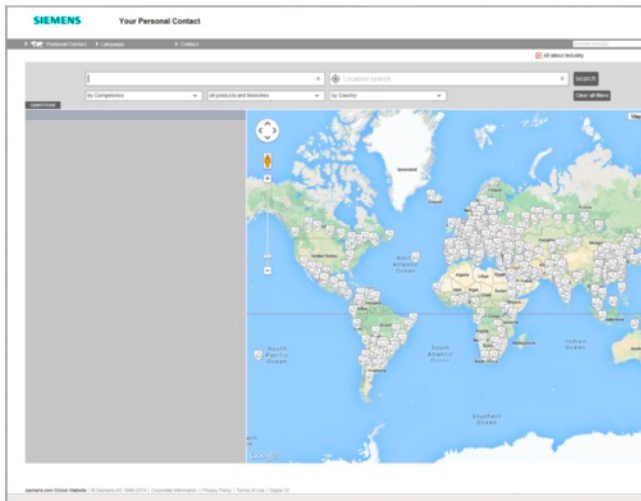
The shaft keyway width has to be specified with the tolerance N9.

Diameter		Keyway width B mm	Parallel key height H mm	Shaft keyway depth T1 mm	Hub keyway depth T2 mm	Deviation for shaft and hub keyway depth mm	Deviation table for keyway width B	
over D mm	to mm						JS9 µm	P9 µm
	10	3	3	1.8	1.4	+0.1	+12.5	-6
							-12.5	-31
10	12	4	4	2.5	1.8	+0.1	+15	-12
							-15	-42
12	17	5	5	3	2.3	+0.1	+15	-12
							-15	-42
17	22	6	6	3.5	2.8	+0.1	+15	-12
							-15	-42
22	30	8	7	4	3.3	+0.2	+18	-15
							-18	-51
30	38	10	8	5	3.3	+0.2	+18	-15
							-18	-51
38	44	12	8	5	3.3	+0.2	+21.5	-18
							-21.5	-61
44	50	14	9	5.5	3.8	+0.2	+21.5	-18
							-21.5	-61
50	58	16	10	6	4.3	+0.2	+21.5	-18
							-21.5	-61
58	65	18	11	7	4.4	+0.2	+21.5	-18
							-21.5	-61
65	75	20	12	7.5	4.9	+0.2	+26	-22
							-26	-74
75	85	22	14	9	5.4	+0.2	+26	-22
							-26	-74
85	95	25	14	9	5.4	+0.2	+26	-22
							-26	-74
95	110	28	16	10	6.4	+0.2	+26	-22
							-26	-74
110	130	32	18	11	7.4	+0.2	+31	-26
							-31	-88
130	150	36	20	12	8.4	+0.3	+31	-26
							-31	-88
150	170	40	22	13	9.4	+0.3	+31	-26
							-31	-88
170	200	45	25	15	10.4	+0.3	+31	-26
							-31	-88
200	230	50	28	17	11.4	+0.3	+31	-26
							-31	-88
230	260	56	32	20	12.4	+0.3	+37	-32
							-37	-106
260	290	63	32	20	12.4	+0.3	+37	-32
							-37	-106
290	330	70	36	22	14.4	+0.3	+37	-32
							-37	-106
330	380	80	40	25	15.4	+0.3	+37	-32
							-37	-106
380	440	90	45	28	17.4	+0.3	+43.5	-37
							-43.5	-124
440	500	100	50	31	19.4	+0.3	+43.5	-37
							-43.5	-124

FLENDER Standard Couplings

Appendix

Partner at Siemens



At Siemens Industry we are resolutely pursuing the same goal: long-term improvement of your competitive ability. We are committed to this goal. Thanks to our commitment, we continue to set new standards in automation and drive technology. In all industries – worldwide.

At your service locally, around the globe for consulting, sales, training, service, support, spare parts ... on the entire Industry Automation and Drive Technologies range.

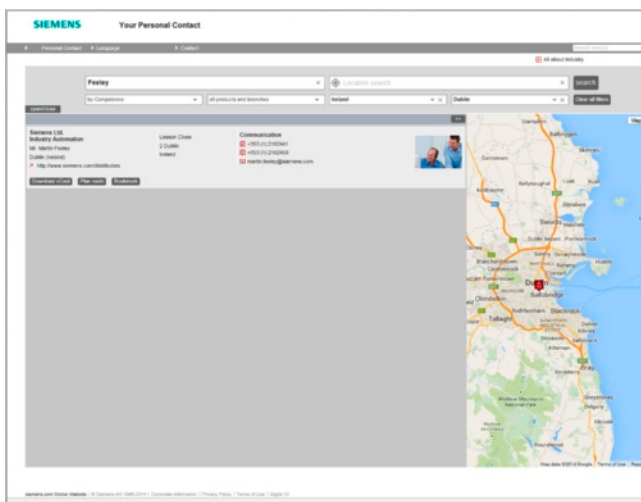
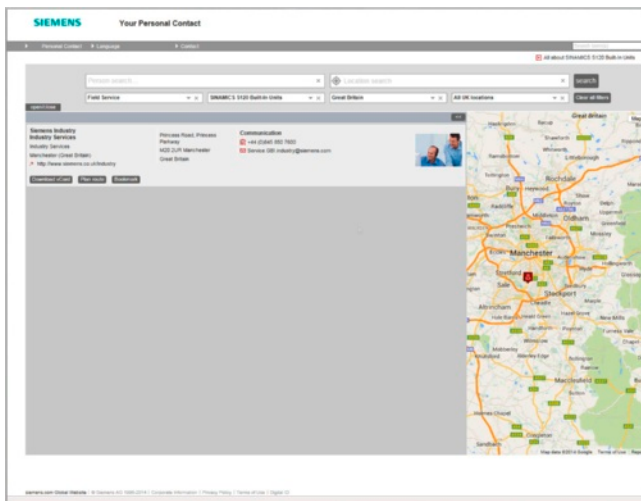
Your personal contact can be found in our Contacts Database at: www.siemens.com/automation/partner

You start by selecting

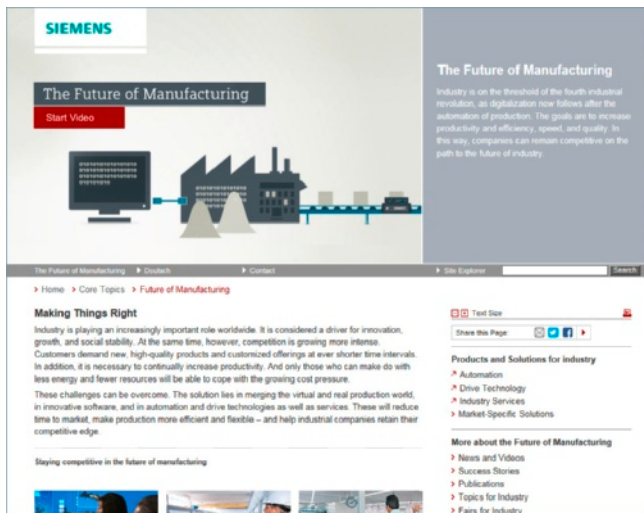
- the required competence,
- products and branches,
- a country,
- a city

or by a

- location search or
- person search.



Siemens Industry Automation and Drive Technologies in the WWW



A detailed knowledge of the range of products and services available is essential when planning and configuring automation systems. It goes without saying that this information must always be fully up-to-date.

Siemens Industry Automation and Drive Technologies has therefore built up a comprehensive range of information in the World Wide Web, which offers quick and easy access to all data required.

Under the address

www.siemens.com/industry

you will find everything you need to know about products, systems and services.

Product Selection Using the Interactive Catalog CA 01 of Industry



Detailed information together with convenient interactive functions:

The interactive catalog CA 01 covers more than 80 000 products and thus provides a full summary of the Siemens Industry Automation and Drive Technologies product base.

Here you will find everything that you need to solve tasks in the fields of automation, switchgear, installation and drives. All information is linked into a user interface which is easy to work with and intuitive.

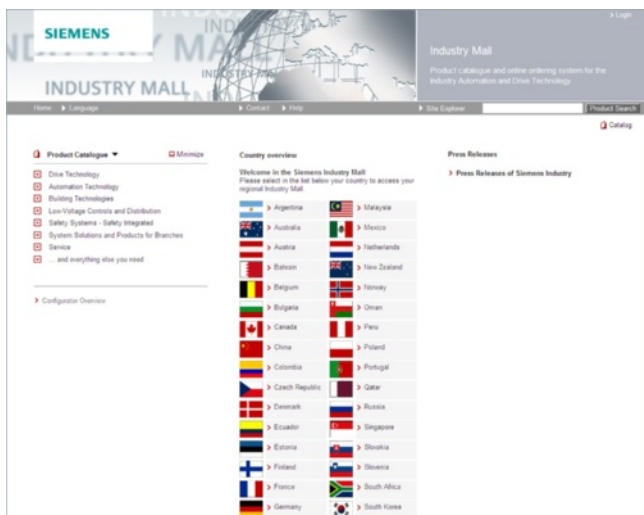
After selecting the product of your choice you can order at the press of a button, by fax or by online link.

Information on the interactive catalog CA 01 can be found in the Internet under

www.siemens.com/automation/ca01

or on DVD.

Easy Shopping with the Industry Mall



The Industry Mall is the electronic ordering platform of Siemens AG on the Internet. Here you have online access to a huge range of products presented in an informative and attractive way.

Data transfer via EDIFACT allows the whole procedure from selection through ordering to tracking and tracing of the order to be carried out. Availability checks, customer-specific discounts and preparation of quotes are also possible.

Numerous additional functions are available to support you.

For example, powerful search functions make it easy to select the required products. Configurators enable you to configure complex product and system components quickly and easily. CAx data types are also provided here.

Please visit the Industry Mall on the Internet under:

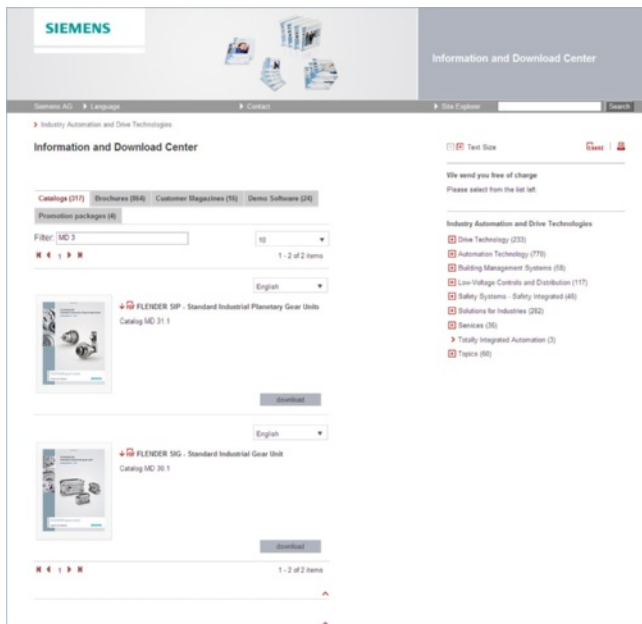
www.siemens.com/industrymall

FLENDER Standard Couplings

Appendix

Information and Download Center

Downloading Catalogs



In addition to numerous other useful documents, you can also find the catalogs listed on the back inside cover of this catalog in the Information and Download Center. Without having to register, you can download these catalogs in PDF format or increasingly as digital page-turning e-books.

The filter dialog box above the first catalog displayed makes it possible to carry out targeted searches. If you enter "MD 3" for example, you will find both the MD 30.1 and MD 31.1 catalogs. If you enter "ST 70" both the ST 70 catalog and the associated news or add-ons are displayed.

Visit us on the web at:

www.siemens.com/industry/infocenter

Your machines and plant can do more – with Industry Services.

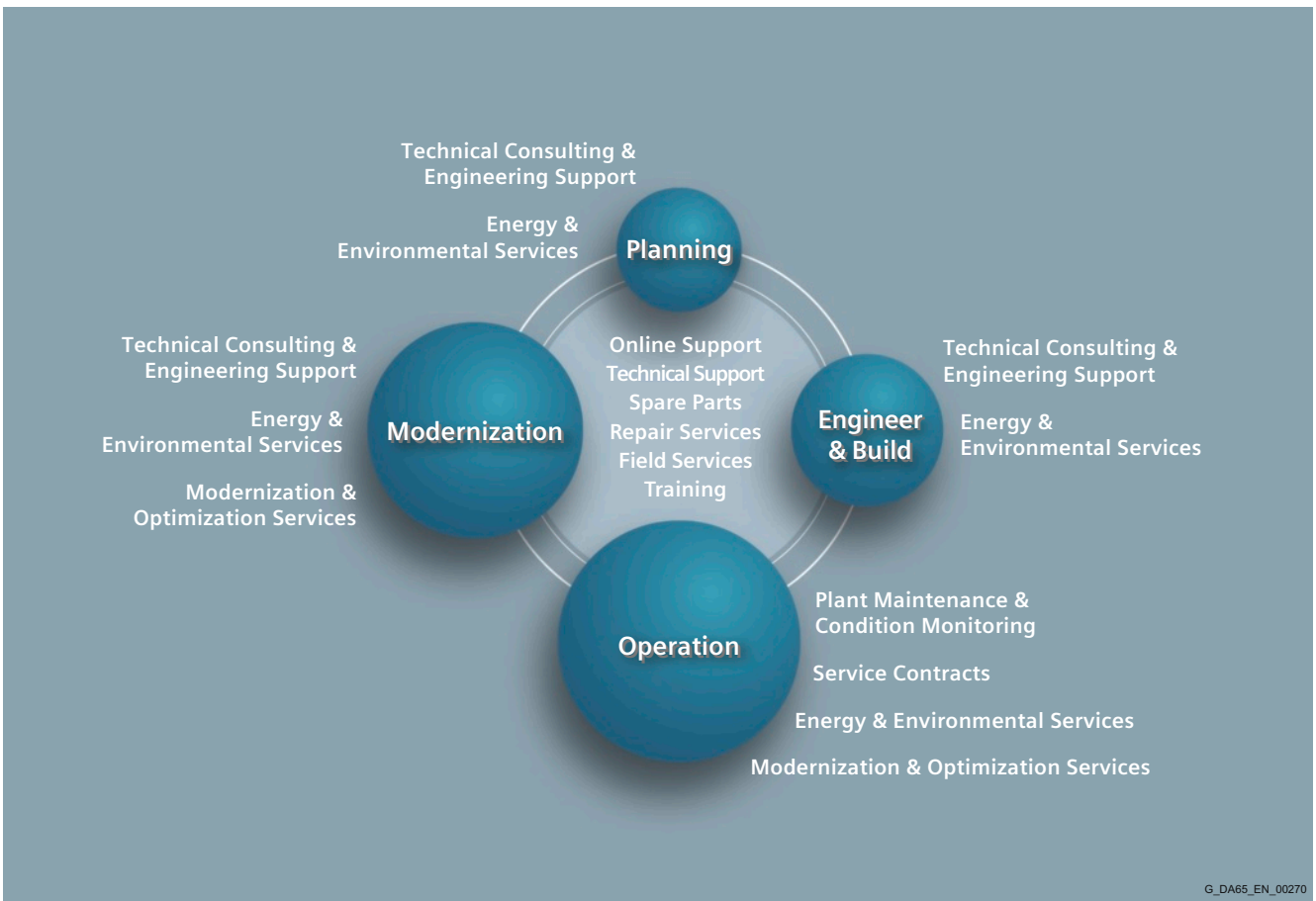


Whether it is production or process industry - in view of rising cost pressure, growing energy costs, and increasingly stringent environmental regulations, services for industry are a crucial competitive factor in manufacturing as well as in process industries.

All over the world Siemens supports its customers with product, system, and application-related services throughout the entire life cycle of a plant. Right from the earliest stages of planning, engineering, and building, all the way to operation and modernization. These services enable customers to benefit from the Siemens experts' unique technological and product knowledge and industry expertise.

Thus downtimes are reduced and the utilization of resources is optimized. The bottom line: increased plant productivity, flexibility, and efficiency, plus reduced overall costs.

Discover all advantages of our service portfolio:
www.siemens.com/industry-services



G_DA65_EN_00270

Siemens supports its clients with technology based Services across a plant's entire life cycle.

FLENDER Standard Couplings

Appendix

Industry Services for the entire life cycle

Online Support

Online support is a comprehensive information system for all questions relating to products, systems, and solutions that Siemens has developed for industry over time. With more than 300,000 documents, examples and tools, it offers users of automation and drive technology a way to quickly find up-to-date information. The 24-hour service enables direct, central access to detailed product information as well as numerous solution examples for programming, configuration and application.

The content, in six languages, is increasingly multimediated – and now also available as a mobile app. Online support's "Technical Forum" offers users the opportunity to share information with each other. The "Support Request" option can be used to contact Siemens' technical support experts. The latest content, software updates, and news via newsletters and Twitter ensure that industry users are always up to date.



www.siemens.com/industry/onlinesupport

Online Support App



Using the Online Support app, you can access over 300,000 documents covering all Siemens industrial products - anywhere, any time. Regardless of whether you need help implementing your project, fault-finding, expanding your system or are planning a new machine.

You have access to FAQs, manuals, certificates, characteristics curves, application examples, product notices (e.g. announcements of new products) and information on successor products in the event that a product is discontinued.

Just scan the product code printed on the product directly using the camera of your mobile device to immediately see all technical information available on this product at a glance. The graphical CAx information (3D model, circuit diagrams or EPLAN macros) is also displayed. You can forward this information to your workplace using the e-mail function.

The search function retrieves product information and articles and supports you with a personalized suggestion list. You can find your favorite pages – articles you need frequently – under

"mySupport". You also receive selected news on new functions, important articles or events in the News section.

Scan the QR code
for information on
our Online Support
app.



The app is available free of charge from the Apple App Store (iOS) or from Google Play (Android).

www.siemens.com/industry/onlinesupportapp

Technical Support

The ability to quickly analyze system and error messages and take appropriate action are key factors in ensuring that plants run safely and efficiently. Questions can arise at any time and in any industry, whether it's an individual product or a complete automation solution. Siemens technical support offers individual technical assistance in matters related to functionality, how to operate, applications, and fault clearance in industrial products and systems – at any time and globally, over the phone, by e-mail, or via remote access. Experienced experts from Siemens answer incoming questions promptly. Depending on the requirements, they first consult specialists in the areas of development, on-site services, and sales. Technical support is also available for discontinued products that are no longer available. Using the support request number, any inquiry can be clearly identified and systematically tracked.



Spare Parts

Drive and automation systems must be available at all times. Even a single missing spare part can bring the entire plant to a standstill – and result in substantial financial losses for the operator. The spare parts services from Siemens protects against such losses – with the aid of quickly available, original spare parts that ensure smooth interaction with all other system components. Spare parts are kept on hand for up to ten years; defective parts can be returned. For many products and solutions, individual spare parts packages ensure a preventive stock of spare parts on-site. The spare parts services is available around the world and around the clock. Optimum supply chain logistics ensure that replacement components reach their destination as quickly as possible. Siemens' logistics experts take care of planning and management as well as procurement, transportation, customs handling, warehousing, and complete order management for spare parts.

**Repair Services**

Reliable electrical and electronic equipment is crucial for operating continuous processes. That is why it is essential that motors and converters always undergo highly specialized repair and maintenance. Siemens offers complete customer and repair services – on site and in repair centers – as well as technical emergency services worldwide. The repair services include all measures necessary to quickly restore the functionality of defective units. In addition, services such as spare parts logistics, spare parts storage and rapid manufacturing are available to plant operators in all verticals. With a global network of certified repair shops operated by Siemens as well as third parties, Siemens handles the maintenance and overhaul of motors, converters, and other devices as an authorized service partner.

**Field Services**

It's a top priority in all industries: the availability of plants and equipment. Siemens offers specialized maintenance services such as inspection and upkeep as well as rapid fault clearance in industrial plants – worldwide, continuously, and even with emergency services as needed. The services include startup as well as maintenance and fault clearance during operation. The startup service includes checking the installation, function tests, parameterization, integration tests for machines and plants, trial operation, final acceptance, and employee training. All services, including remote maintenance of drives, are also available as elements of customized service contracts.



FLENDER Standard Couplings

Appendix

Subject index

	Part 1 Page 1/	Part 2 Page 2/	Part 3 Page 3/	Part 4 Page 4/	Part 5 Page 5/	Part 6 Page 6/	Part 7 Page 7/	Part 8 Page 8/	Part 9 Page 9/	Part 10 Page 10/	Part 11 Page 11/	Part 12 Page 12/	Part 13 Page 13/	Part 14 Page 14/	Part 15 Page 15/
A															
ADS							22								
Aid to starting IEC motors													12		
All-steel couplings ARPEX series						1 ...									
Ambient conditions		5													
Appendix															1 ...
ARC-8/-10						27									
ARF-6						51									
ARP-6						37									
ARPEX						1 ...									
ARPEX ARC-8/-10						27									
ARPEX ARC-8/-10 series						27									
ARPEX ARF-6						51									
ARPEX ARF-6 series						51									
ARPEX ARP-6						37									
ARPEX ARP-6 series						37									
ARPEX ARS-6						4									
ARPEX ARW-4/-6						46									
ARPEX ARW-4/-6 series						46									
ARPEX series						1 ...									
ARS-6						4									
Article number index															17
Article number key			8												
ARW-4/-6						46									
Assembly		4													
ATEX		5													
Axial displacement					11										
B															
Balancing		3													
BDS							23								
Bending vibration		5													
Bore diameter			10												
Bore diameters and order codes			10										5		
Bore diameters imperial in inches and order codes			11										7		
Bore specifications			10												
Bores in imperial sizes (inches)													6		
Bores in metric sizes													4		
BUB						32									
BWN								6							
C															
CA 01															5
C flange						22									
Checking bore diameter, mounting geometry and coupling design			7												
Checking low temperature and chemically aggressive environment			7												
Checking permitted shaft misalignment			7												
Checking shaft-hub connection			7												
Checking the maximum speed			7												
Chemically aggressive environment			7												
Clamping hub						24									
Conditions of delivery															18
Conditions of sale															18
Configuration											4				
Contact protection		4													
Continuous operation			6												
Corrosion protection		4													

	Part 1	Part 2	Part 3	Part 4	Part 5	Part 6	Part 7	Part 8	Part 9	Part 10	Part 11	Part 12	Part 13	Part 14	Part 15
	Page 1/	Page 2/	Page 3/	Page 4/	Page 5/	Page 6/	Page 7/	Page 8/	Page 9/	Page 10/	Page 11/	Page 12/	Page 13/	Page 14/	Page 15/
C (continued)															
Customized hub design, ZAPEX ZN					12										
Customized hub design, ZAPEX ZW				19											
Coupling as aid to starting IEC motors												12			
Coupling behavior under overload conditions		5													
Coupling load under maximum and overload conditions			7							5	4				
Coupling load due to dynamic torque load			7												
Coupling load in continuous operation			6												
Coupling preselection			1 ...												
Coupling series			2												
Coupling design			7												
D															
D flange					22										
DBD with brake disk							20								
DBDR with brake disk							19								
Deviation table to DIN ISO 286															2
DVD															5
Dynamic torque load			7												
E															
Easy shopping															5
EBWN										5					
EBWT										6					
EBWZ										8					
EC Machinery Directive		5													
EDB with brake disk							21								
EFG/EFGS												7			
ELPEX												1 ...			
ELPEX series												1 ...			
ELPEX-B										1 ...					
ELPEX-B series										1 ...					
ELPEX-S												1 ...			
ELPEX-S series												1 ...			
ENG/ENGs												6			
ESD												10			
ESDR												12			
ESN												9			
ESNR												11			
ESNW and ESDW												13			
EST												14			
Export regulations															18
F															
F flange					22										
FAD													18		
FADB													21		
FADS HB													23		
FADS SB													22		
FAE													19		
FAM													20		
FAO													16		
FAR													17		
FGD/FVD													27		
FGE/FVE													28		
FGM/FVM													29		
FGO/FVO													26		
Field Services															9
Fits															2
Fitting recommendations															2
Flange					22										
Flange connection dimensions					13										

FLENDER Standard Couplings

Appendix

Subject index

	Part 1	Part 2	Part 3	Part 4	Part 5	Part 6	Part 7	Part 8	Part 9	Part 10	Part 11	Part 12	Part 13	Part 14	Part 15
	Page 1/	Page 2/	Page 3/	Page 4/	Page 5/	Page 6/	Page 7/	Page 8/	Page 9/	Page 10/	Page 11/	Page 12/	Page 13/	Page 14/	Page 15/
F (continued)															
Flexible couplings N-BIPEX series									1 ...						
Flexible couplings N-EUPEX series							1 ...								
Flexible couplings RUPEX series								1 ...							
FLUDEX													1 ...		
FLUDEX coupling as aid to starting IEC motors													12		
FLUDEX series													1 ...		
Fluid couplings FLUDEX series													1 ...		
FNA													33		
FND													34		
FNDB													35		
FNDS HB													38		
FNDS SB													37		
FNO													32		
Form – Technical specifications													50		
Formula symbols		6													
G															
Gear couplings ZAPEX ZN series					1 ...										
Gear couplings ZAPEX ZW series				1 ...											
GG and GJ						53									
H															
HDS							24								
Highly flexible couplings ELPEX series												1 ...			
Highly flexible couplings ELPEX-B series									1 ...						
Highly flexible couplings ELPEX-S series											1 ...				
Hub						20									
Hub design, customized, ZAPEX ZN					12										
Hub design, customized, ZAPEX ZW				19											
Hub-shaft connection		4	7												
I															
Imperial type of bore in inches													6		
Industry Mall															5
Industry Services															7
Information															5
Information and Download- center															6
Internet															5
Introduction	2														
J															
J hub						20									
L															
Low temperature			7												
M															
Maintenance		4													
Mall															5
Mass moments of inertia												45			
Maximum speed			7												
MCECM						42									
Metric bore diameters and order codes														5	
Metric bore sizes														4	
MFEFM/MFHFM						34									
Mounting geometry			7												

FLENDER Standard Couplings

Appendix

Subject index

	Part 1	Part 2	Part 3	Part 4	Part 5	Part 6	Part 7	Part 8	Part 9	Part 10	Part 11	Part 12	Part 13	Part 14	Part 15
	Page 1/	Page 2/	Page 3/	Page 4/	Page 5/	Page 6/	Page 7/	Page 8/	Page 9/	Page 10/	Page 11/	Page 12/	Page 13/	Page 14/	Page 15/
N															
NAN						40									
N-BIPEX									1 ...						
N-BIPEX series									1 ...						
NEN						8									
NEN/NHN						30									
N-EUPEX							1 ...								
N-EUPEX series							1 ...								
NHN						14, 48									
NON						12									
NUN						10									
NWN						18									
NZN						16									
O															
Oil filling quantities for FA series													24		
Oil filling quantities for FG/FV series													30		
Oil filling quantities for FN series													39		
Oil filling quantities, maximum													45		
Online Support															8
Options			1 ...												
Order codes														5, 7	
Ordering															5
Overload conditions		5	7												
P															
Parallel key connections															3
Permitted shaft misalignment			7												
Plate pack ARF-6						54									
Plate pack ARP-6						45									
Plate pack ARS-6						26									
Plate pack ARC-8/-10						36									
Plate pack ARW-4/-6						50									
Product selection															5
R															
RBS with brake disk sizes 144 to 360								14							
RBS with brake disk sizes 400 to 1000								16							
RBS with brake drum								19							
Repair Services															9
Restorative forces		2													
RFN in grey cast iron								10							
RFS in steel								11							
RUPEX								1 ...							
RUPEX series								1 ...							
RWB with brake disk								12							
RWB with brake drum								18							
RWN - hub material grey cast iron								6							
RWS - hub material steel								8							
S															
Selection of the coupling series			2												
Selection of the coupling size			6												
Services															7
Shaft couplings	2														
Shaft misalignment		2	7												
Shaft-hub connection		4	7												
Shallow keyway dimensions														5, 7	
Siemens contact partners worldwide															4
Siemens IA and DT in the WWW															5

FLENDER Standard Couplings

Appendix

Subject index

	Part 1	Part 2	Part 3	Part 4	Part 5	Part 6	Part 7	Part 8	Part 9	Part 10	Part 11	Part 12	Part 13	Part 14	Part 15
	Page 1/	Page 2/	Page 3/	Page 4/	Page 5/	Page 6/	Page 7/	Page 8/	Page 9/	Page 10/	Page 11/	Page 12/	Page 13/	Page 14/	Page 15/
S (continued)															
Spare parts				20		26, 36, 45, 50, 54	26	20	7	10	15	8	41		9
Special types			12										48		
Standards		6													
T															
Taper clamping bushes															1 ...
Technical Information		1 ...													
Technical Support															8
Torsional vibration		5													
Torsionally rigid all-steel couplings ARPEX series						1 ...									
Torsionally rigid gear couplings ZAPEX ZN series					1 ...										
Torsionally rigid gear couplings ZAPEX ZW series				1 ...											
Type A								10							
Type ADS								22							
Type B								11							
Type BDS								23							
Type BUB						32									
Type BWN									6						
Type D								14							
Type DBD with brake disk								20							
Type DBDR with brake disk								19							
Type E								16							
Type EBWN										5					
Type EBWT										6					
Type EBWZ										8					
Type EDB with brake disk							21								
Types EFG/EFGS												7			
Types ENG/ENGs												6			
Type ESD											10				
Type ESDR											12				
Type ESN											9				
Type ESNR											11				
Types ESNW and ESDW											13				
Type EST											14				
Type FAD													18		
Type FADB													21		
Type FADS HB													23		
Type FADS SB													22		
Type FAE													19		
Type FAM													20		
Type FAO													16		
Type FAR													17		
Types FGD/FVD													27		
Types FGE/FVE													28		
Types FGM/FVM													29		
Types FGO/FVO													26		
Type FNA													33		
Type FND													34		
Type FNDB													35		
Type FNDS HB													38		
Type FNDS SB													37		
Type FNO													32		
Types GG and GJ						53									
Type H								12							
Type HDS								24							
Type MCECM						42									
Types MFEFM/MFHFM						34									
Type NAN						40									
Type NEN						8									
Types NEN/NHN						30									
Type NHN						14, 48									

	Part 1	Part 2	Part 3	Part 4	Part 5	Part 6	Part 7	Part 8	Part 9	Part 10	Part 11	Part 12	Part 13	Part 14	Part 15
	Page 1/	Page 2/	Page 3/	Page 4/	Page 5/	Page 6/	Page 7/	Page 8/	Page 9/	Page 10/	Page 11/	Page 12/	Page 13/	Page 14/	Page 15/
T (continued)															
Type NON						12									
Type NUN						10									
Type NWN						18									
Type NZN						16									
Type O with brake drum							18								
Type P with brake drum							17								
Type RBS with brake disk sizes 144 to 360								14							
Type RBS with brake disk sizes 400 to 1000								16							
Type RBS with brake drum								19							
Type RFN in grey cast iron								10							
Type RFS in steel								11							
Type RWB with brake disk								12							
Type RWB with brake drum								18							
Type RWN - hub material grey cast iron								6							
Type RWS - hub material steel								8							
Type ZBR				15											
Type ZN - flange connection dimensions					13										
Type ZNBG					7										
Type ZNN					4										
Type ZNN for axial displacement					11										
Type ZNNA					8										
Type ZNNV					10										
Type ZNW					6										
Type ZNZA					9										
Type ZNZS					5										
Type ZWB				13											
Type ZWBG				12											
Type ZWBT				11											
Type ZWH				10											
Type ZWN				4											
Type ZWNV				17											
Type ZWS				16											
Type ZWSE				18											
Type ZWTR				14											
Type ZZS				6											
Type ZZW				8											
W															
Wear parts				20		26, 36, 45, 50, 54	26	20	7	10	15	8			
WWW															5
Z															
ZAPEX ZN					1 ...										
ZAPEX ZN series					1 ...										
ZAPEX ZN series – customized hub design					12										
ZAPEX ZW				1 ...											
ZAPEX ZW series				1 ...											
ZAPEX ZW series – customized hub design				19											
ZBR				15											
ZN – flange connection dimensions					13										
ZN – customized hub design					12										
ZNBG					7										
ZNN					4										
ZNN for axial displacement					11										
ZNNA					8										
ZNNV					10										
ZNW					6										
ZNZA					9										
ZNZS					5										

FLENDER Standard Couplings

Appendix

Subject index

	Part 1	Part 2	Part 3	Part 4	Part 5	Part 6	Part 7	Part 8	Part 9	Part 10	Part 11	Part 12	Part 13	Part 14	Part 15
	Page 1/	Page 2/	Page 3/	Page 4/	Page 5/	Page 6/	Page 7/	Page 8/	Page 9/	Page 10/	Page 11/	Page 12/	Page 13/	Page 14/	Page 15/
Z (continued)															
ZWB				13											
ZWBG				12											
ZWBT				11											
ZWH				10											
ZWN				4											
ZWNV				17											
ZWS				16											
ZWSE				18											
ZWTR				14											
ZZS				6											
ZZW				8											

FLENDER Standard Couplings

Appendix

Article number index

Article No.	Part 4 Page 4/	Part 5 Page 5/	Part 6 Page 6/	Part 7 Page 7/	Part 8 Page 8/	Part 9 Page 9/	Part 10 Page 10/	Part 11 Page 11/	Part 12 Page 12/	Part 13 Page 13/	Part 14 Page 14/
2LC002.											
2LC0020											4 ... 6
2LC0021											4 ... 6
2LC0022											4 ... 6
2LC010.											
2LC0100				10 ... 21, 26							
2LC0101				10 ... 21, 26							
2LC0102				10 ... 15, 26							
2LC011.											
2LC0110				22 ... 26							
2LC0111				22 ... 26							
2LC0112				22 ... 26							
2LC013.											
2LC0130					6 ... 20						
2LC0131					6 ... 20						
2LC0132					6 ... 9, 16, 17, 20						
2LC016.											
2LC0160						6, 7					
2LC0161						6, 7					
2LC020.											
2LC0200									6 ... 8		
2LC0201									6 ... 8		
2LC021.											
2LC0210							5 ... 10				
2LC0211							5 ... 10				
2LC022.											
2LC0220									9 ... 15		
2LC0221									9 ... 15		
2LC030.											
2LC0300	4 ... 20										
2LC0301	4 ... 20										
2LC0302	4 ... 20										
2LC0303	5 ... 20										
2LC033.											
2LC0330		4 ... 11, 14									
2LC0331		4 ... 11, 14									
2LC040.											
2LC0400			30 ... 36								
2LC0401			30 ... 36								
2LC041.											
2LC0410			30 ... 36								
2LC042.											
2LC0420			53 ... 54								
2LC0421			53 ... 54								
2LC045.											
2LC0450			40, 41, 45								
2LC0451			41, 45								
2LC046.											
2LC0460			42 ... 45								
2LC0461			42 ... 45								
2LC047.											
2LC0470			8 ... 26								
2LC0471			8 ... 26								
2LC0472			8 ... 26								
2LC053.											
2LC0530			48 ... 50								
2LC0531			48 ... 50								
2LC054.											
2LC0540			48 ... 50								
2LC090.											
2LC0900										12 ... 38	
2LC0901										26 ... 38	

FLENDER Standard Couplings

Appendix

Conditions of sale and delivery

1. General Provisions

By using this catalog you can acquire hardware and software products described therein from Siemens AG subject to the following Terms and Conditions of Sale and Delivery (hereinafter referred to as "T&C"). Please note that the scope, the quality and the conditions for supplies and services, including software products, by any Siemens entity having a registered office outside Germany, shall be subject exclusively to the General Terms and Conditions of the respective Siemens entity. The following T&C apply exclusively for orders placed with Siemens Aktiengesellschaft, Germany.

1.1 For customers with a seat or registered office in Germany

For customers with a seat or registered office in Germany, the following applies subordinate to the T&C:

- the "General Terms of Payment"¹⁾ and,
- for software products, the "General License Conditions for Software Products for Automation and Drives for Customers with a Seat or Registered Office in Germany"¹⁾ and,
- for other supplies and services, the "General Conditions for the Supply of Products and Services of the Electrical and Electronics Industry"¹⁾.

1.2 For customers with a seat or registered office outside Germany

For customers with a seat or registered office outside Germany, the following applies subordinate to the T&C:

- the "General Terms of Payment"¹⁾ and,
- for software products, the "General License Conditions for Software Products for Automation and Drives for Customers with a Seat or Registered Office outside of Germany"¹⁾ and
- for other supplies and/or services, the "General Conditions for Supplies of Siemens Industry for Customers with a Seat or Registered Office outside of Germany"¹⁾.

2. Prices

The prices are in € (Euro) ex point of delivery, exclusive of packaging.

The sales tax (value added tax) is not included in the prices. It shall be charged separately at the respective rate according to the applicable statutory legal regulations.

Prices are subject to change without prior notice. We will charge the prices valid at the time of delivery.

To compensate for variations in the price of raw materials (e.g. silver, copper, aluminum, lead, gold, dysprosium and neodym), surcharges are calculated on a daily basis using the so-called metal factor for products containing these raw materials. A surcharge for the respective raw material is calculated as a supplement to the price of a product if the basic official price of the raw material in question is exceeded.

The metal factor of a product indicates the basic official price (for those raw materials concerned) as of which the surcharges on the price of the product are applied, and with what method of calculation.

An exact explanation of the metal factor can be downloaded at:

www.siemens.com/automation/salesmaterial-as/catalog/en/terms_of_trade_en.pdf

To calculate the surcharge (except in the cases of dysprosium and neodym), the official price from the day prior to that on which the order was received or the release order was effected is used.

To calculate the surcharge applicable to dysprosium and neodym ("rare earths"), the corresponding three-month basic average price in the quarter prior to that in which the order was received or the release order was effected is used with a one-month buffer (details on the calculation can be found in the explanation of the metal factor).

3. Additional Terms and Conditions

The dimensions are in mm. In Germany, according to the German law on units in measuring technology, data in inches apply only to devices for export.

Illustrations are not binding.

Insofar as there are no remarks on the individual pages of this catalog - especially with regard to data, dimensions and weights given - these are subject to change without prior notice.

4. Export regulations

We shall not be obligated to fulfill any agreement if such fulfillment is prevented by any impediments arising out of national or international foreign trade or customs requirements or any embargoes and/or other sanctions.

Export of goods listed in this catalog may be subject to licensing requirements. We will indicate in the delivery details whether licenses are required under German, European and US export lists. Goods labeled with "AL" not equal to "N" are subject to European or German export authorization when being exported out of the EU. Goods labeled with "ECCN" not equal to "N" are subject to US re-export authorization.

The export indications can be viewed in advance in the description of the respective goods on the Industry Mall, our online catalog system. Only the export labels "AL" and "ECCN" indicated on order confirmations, delivery notes and invoices are authoritative.

Even without a label, or with label "AL:N" or "ECCN:N", authorization may be required i .a. due to the final disposition and intended use of goods.

If you transfer goods (hardware and/or software and/or technology as well as corresponding documentation, regardless of the mode of provision) delivered by us or works and services (including all kinds of technical support) performed by us to a third party worldwide, you must comply with all applicable national and international (re-)export control regulations.

If required for the purpose of conducting export control checks, you (upon request by us) shall promptly provide us with all information pertaining to the particular end customer, final disposition and intended use of goods delivered by us respectively works and services provided by us, as well as to any export control restrictions existing in this relation.

The products listed in this catalog may be subject to European/German and/or US export regulations. Any export requiring approval is therefore subject to authorization by the relevant authorities.

Errors excepted and subject to change without prior notice.

1) The text of the Terms and Conditions of Siemens AG can be downloaded at www.siemens.com/automation/salesmaterial-as/catalog/en/terms_of_trade_en.pdf

Industry Automation, Drive Technologies and Low-Voltage Power Distribution

Further information can be obtained from our branch offices listed at www.siemens.com/automation/partner

System Solutions for Industry Interactive Catalog on DVD	<i>Catalog</i>		
Products for Automation and Drives, Low-Voltage Power Distribution and Electrical Installation Technology	CA 01		
Building Control			
GAMMA Building Control	ET G1		
Drive Systems			
SINAMICS G130 Drive Converter Chassis Units	D 11		
SINAMICS G150 Drive Converter Cabinet Units			
SINAMICS GM150, SINAMICS SM150 Medium-Voltage Converters	D 12		
SINAMICS PERFECT HARMONY GH180 Medium-Voltage Air-Cooled Drives Germany Edition	D 15.1		
SINAMICS G180 Converters – Compact Units, Cabinet Systems, Cabinet Units Air-Cooled and Liquid-Cooled	D 18.1		
SINAMICS S120 Chassis Format Units and Cabinet Modules	D 21.3		
SINAMICS S150 Converter Cabinet Units			
SINAMICS DCM DC Converter, Control Module	D 23.1		
SINAMICS DCM Cabinet	D 23.2		
SINAMICS and Motors for Single-Axis Drives	D 31		
SINAMICS G120P and SINAMICS G120P Cabinet pump, fan, compressor converters	D 35		
Three-Phase Induction Motors SIMOTICS HV, SIMOTICS TN	D 84.1		
• Series H-compact			
• Series H-compact PLUS			
Asynchronous Motors Standardline	D 86.1		
Synchronous Motors with Permanent-Magnet Technology, HT-direct	D 86.2		
DC Motors	DA 12		
SIMOREG DC MASTER 6RA70 Digital Chassis Converters	DA 21.1		
SIMOREG K 6RA22 Analog Chassis Converters	DA 21.2		
<i>Digital: SIMOREG DC MASTER 6RM70 Digital Converter Cabinet Units</i>	DA 22		
SIMOVERT PM Modular Converter Systems	DA 45		
SIEMOSYN Motors	DA 48		
MICROMASTER 420/430/440 Inverters	DA 51.2		
MICROMASTER 411/COMBIMASTER 411	DA 51.3		
SIMODRIVE 611 universal and POSMO	DA 65.4		
<i>Note: Additional catalogs on SIMODRIVE or SINAMICS drive systems and SIMOTICS motors with SINUMERIK and SIMOTION can be found under Motion Control</i>			
<u>Low-Voltage Three-Phase-Motors</u>			
SIMOTICS Low-Voltage Motors	D 81.1		
SIMOTICS FD Flexible Duty Motors	D 81.8		
LOHER Low-Voltage Motors	D 83.1		
MOTOX Geared Motors	D 87.1		
SIMOGEAR Geared Motors	MD 50.1		
SIMOGEAR Gearboxes with adapter	MD 50.11		
<u>Mechanical Driving Machines</u>			
FLENDER Standard Couplings	MD 10.1		
FLENDER High Performance Couplings	MD 10.2		
FLENDER SIG Standard industrial gear unit	MD 30.1		
FLENDER SIP Standard industrial planetary gear units	MD 31.1		
Process Instrumentation and Analytics			
Field Instruments for Process Automation	FI 01		
<i>Digital: SIPART Controllers and Software</i>	MP 31		
Products for Weighing Technology	WT 10		
<i>Digital: Process Analytical Instruments</i>	PA 01		
<i>Digital: Process Analytics, Components for the System Integration</i>	PA 11		
<i>Digital: These catalogs are only available as a PDF.</i>			
Low-Voltage Power Distribution and Electrical Installation Technology	<i>Catalog</i>		
SENTRON · SIVACON · ALPHA Protection, Switching, Measuring and Monitoring Devices, Switchboards and Distribution Systems	LV 10		
Standards-Compliant Components for Photovoltaic Plants	LV 11		
3WT Air Circuit Breakers up to 4000 A	LV 35		
3VT Molded Case Circuit Breakers up to 1600 A	LV 36		
<i>Digital: SIVACON System Cubicles, System Lighting and System Air-Conditioning</i>	LV 50		
<i>Digital: ALPHA Distribution Systems</i>	LV 51		
ALPHA FIX Terminal Blocks	LV 52		
SIVACON S4 Power Distribution Boards	LV 56		
<i>Digital: SIVACON 8PS Busbar Trunking Systems</i>	LV 70		
<i>Digital: DELTA Switches and Socket Outlets</i>	ET D1		
Motion Control			
SINUMERIK & SIMODRIVE Automation Systems for Machine Tools	NC 60		
SINUMERIK & SINAMICS Equipment for Machine Tools	NC 61		
SINUMERIK 840D sl Type 1B Equipment for Machine Tools	NC 62		
SINUMERIK 808 Equipment for Machine Tools	NC 81.1		
SINUMERIK 828 Equipment for Machine Tools	NC 82		
SIMOTION, SINAMICS S120 & SIMOTICS Equipment for Production Machines	PM 21		
Drive and Control Components for Cranes	CR 1		
Power Supply			
Power supply SITOP	KT 10.1		
Safety Integrated			
Safety Technology for Factory Automation	SI 10		
SIMATIC HMI/PC-based Automation			
Human Machine Interface Systems/ PC-based Automation	ST 80/ ST PC		
SIMATIC Ident			
Industrial Identification Systems	ID 10		
SIMATIC Industrial Automation Systems			
Products for Totally Integrated Automation	ST 70		
SIMATIC PCS 7 Process Control System System components	ST PCS 7		
SIMATIC PCS 7 Process Control System Technology components	ST PCS 7 T		
Add-ons for the SIMATIC PCS 7 Process Control System	ST PCS 7 AO		
SIMATIC NET			
Industrial Communication	IK PI		
SIRIUS Industrial Controls			
SIRIUS Industrial Controls	IC 10		
Information and Download Center			
Digital versions of the catalogs are available on the Internet at: www.siemens.com/industry/infocenter			
There you'll find additional catalogs in other languages. Please note the section "Downloading catalogs" on page "Online services" in the appendix of this catalog.			

Siemens AG
Process Industries
and Drives
Mechanical Drives
Postfach 13 64
46393 BOCHOLT
GERMANY

Subject to change without prior notice
Article No. E86060-K5710-A111-A5-7600
E.9115.91.SGT / Dispo 18408
KG 0815 8.0 AUM 276 En
Printed in Germany
© Siemens AG 2015

The information provided in this catalog contains merely general descriptions or characteristics of performance which in case of actual use do not always apply as described or which may change as a result of further development of the products. An obligation to provide the respective characteristics shall only exist if expressly agreed in the terms of contract. Availability and technical specifications are subject to change without notice.

All product designations may be trademarks or product names of Siemens AG or supplier companies whose use by third parties for their own purposes could violate the rights of the owners.

Token fee: 5.00 €