



Manufacturer

Customer

VEM motors GmbH - Werk Wernigerode
Carl-Friedrich-Gauß-Straße 1

38855 WERNIGERODE
Deutschland

Three-phase motors with squirrel cage rotor, explosion protected version,
Zone 22, device group II, category 3D

Type	IE3-W43R 132 M4 Ex II 3D TPM HW Ex tc IIIB T125°C Dc		
Design output	(kW)	7,5	
Duty type		S1	
Class IE	[-]	IE3-90,5%	
Efficiency determination		EN 60034-2-1	
Design frequency	(Hz)	50	
Design speed	[rpm]	1470	
Voltage	(V)	400/690	
Connection	[-]	D/Y	
Current	[A]	16.0	9.3
Relative pull-in current	[-]	7,6	
Relative starting torque	[-]	3	
Relative pull-up torque	[-]	2,6	
Relative pull-out torque	[-]	3,9	
Efficiency100/75/50 %	[%]	90,5 / 90,5 / 89,2	
Power factor	[-]	0,75	
max. surface temperature T	(°C)	125	
Th. cl.		155(F/B)	
Coolant temperature	(°C)	-20°C...+40°C	
Altitude above sea level	(m)	1000m	
Degree of protection IP		IP55	
Moment of inertia	(kgm ²)	0,035	
Motor weight	(kg)	88	
Bearing, D-side		6308 ZZ C3	
Bearing, N-side	(h)	6308 ZZ C3	
Relubrication interval			
Grease type		ASONIC GHY 72	
Grease amount	[cm ³]		
A-sound pressure level	(dB)	60	

Options

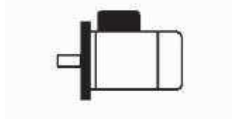
Type of mounting	IMB5
Flange	FF 265[A 300]
Terminal box	Ex - version
Position of terminal box	on the top
Cable gland	M 32x1,5
Position of cable entry	right
Shaft	Standard, 1 shaftend
Bearing	Easy bearing arrangement
Special details to bearings	Fixed bearing, N-side
Winding protection	1 set ptc resistors
Limit values to vibration velocity	Class A
	Balancing with half key
Colour system	02D world wide (KK C2-C3),RAL 7031 blue-grey
Delivery conditions and/or official regulations:	IEC / EN 60034-1

This document was produced electronically, all specifications are valid only after confirmation of the manufacturer

Three-phase motors with squirrel cage rotor, explosion protected version,
Zone 22, device group II, category 3D

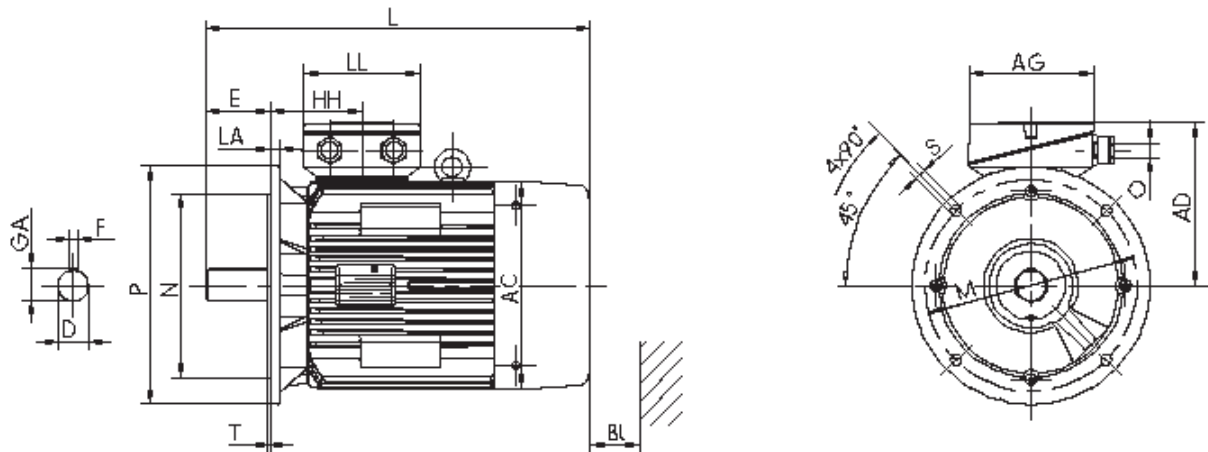
IE3-W43R 132 M4 Ex II 3D TPM HW

Mounting position



Type of mounting: IMB5
Flange: FF 265[A 300]
Position of terminal box: on the top

Terminal box: KK 25 A Ex e II
Motor terminal board: KB 5590
Cable gland O: 1 xM 32x1,5



Motor

A	AA	AB	AC	AD	B	B'	BA	BA'	BB	C	CA	K	K'	
-	-	-	258	210	-	-	-	-	-	-	-	-	-	
											Protection cover		Terminal box	
L	LC	H	HA	HD	HH	BI		L		AG	LL	BE	AH	
579	-	132	-	-	114	40		-		143	134	-	-	

Flange

P	N	LA	M	T	S	Tolerances							
300	230	12	265	4	14	H	N	D	DA				
						-0,5	j6	k6	k6				

Shaft-DS

D	E	GA	F	DB	Shaft-NS			
38	80	41	10	DIN 332 DS- M12	DA	EA	GC	FA
					-	-	-	-

DB...Centre hole

Delivery conditions and/or official regulations: IEC / EN 60034-1

This document was produced electronically, all specifications are valid only after confirmation of the manufacturer