



Manufacturer

Customer

VEM motors GmbH - Werk Wernigerode
Carl-Friedrich-Gauß-Straße 1

38855 WERNIGERODE
Deutschland

Three-phase motors with squirrel cage rotor,
Housing grey cast iron

Type	IE3-W45R 200 LY4 TPM NS LL HW
Design output	(kW) 37
Design torque	(Nm) 240
Class IE	[-] IE3-93,9%
Efficiency determination	EN 60034-2-1
Duty type	S1
Design frequency	(Hz) 50
Design speed	[rpm] 1475
Voltage	(V) 500
Connection	[-] D
Current	[A] 53.6
Relative pull-in current	[-] 6,4
Relative starting torque	[-] 2,2
Relative pull-up torque	[-] 1,7
Relative pull-out torque	[-] 2,6
Efficiency100/75/50 %	[%] 93,9 / 94,4 / 94,2
Power factor	[-] 0,85
Th. cl.	155(F/B)
Coolant temperature	(°C) -20°C...+40°C
Altitude above sea level	(m) 1000m
Degree of protection IP	IP55
Moment of inertia	(kgm ²) 0,356
Motor weight	(kg) 341
Bearing, D-side	6313 C3
Bearing, N-side	6312 C3
Relubrication interval	(h) 4000
Grease type	ASONIC GHY 72
Grease amount	[cm ³] 35/31
A-sound pressure level	(dB) 65

Options

Type of mounting	IM B35
Flange	FF 350[A 400]
Terminal box	Standard
Position of terminal box	on the top
Cable gland	Sealing plug
Position of cable entry	right
Shaft	Standard, 1 shaft end
Bearing	Relubrication device, easybearing arrangement
Special details to bearings	Fixed bearing, N-side
Winding protection	1 set ptc resistors
Limit values to vibration velocity	Class A
Colour system	Balancing with half key
Delivery conditions and/or official regulations:	01 Moderate (KK C2),RAL 7031 blue-grey IEC / EN 60034-1

This document was produced electronically, all specifications are valid only after confirmation of the manufacturer

Data sheet

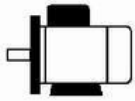
16.06.2022 MADE WITH VEM EKAT 2022



Three-phase motors with squirrel cage rotor,
Housing grey cast iron

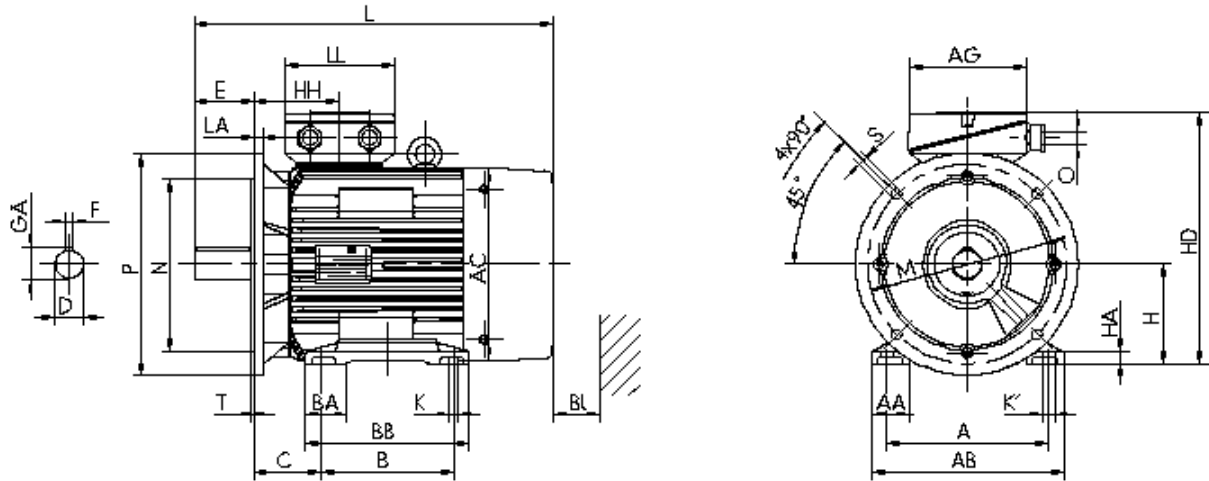
IE3-W45R 200 LY4 TPM NS LL HW

Mounting position



Type of mounting: IM B35
Flange: FF 350[A 400]
Position of terminal box: on the top
Brake type:
Forced-ventilation:

Terminal box: KK 100 A
Cable gland O: 1 xSealing plug



Motor

A	AA	AB	AC	AD	B	B'	BA	BA'	BB	C	CA	K	K'		
318	70	372	390	-	305	-	-	-	360	163	-	19	25		
												Protection cover		Terminal box	
L	LC	H	HA	HD	HH	BI	L	AG	LL	BE	AH	-	-		
797	-	200	22	500	198	40	-	213	207	-	-	-	-		

Flange

P	N	LA	M	T	S	Tolerances							
400	300	15	350	5	18	H	N	D	DA				
						-0,5	h6	m6	m6				

Shaft-DS

D	E	GA	F	DB
55	110	59	16	DIN 332 DS-M20

Shaft-NS

DA	EA	GC	FA
-	-	-	-

DB...Centre hole

Delivery conditions and/or official regulations: IEC / EN 60034-1

This document was produced electronically, all specifications are valid only after confirmation of the manufacturer