



Manufacturer

VEM motors GmbH - Werk Wernigerode
Carl-Friedrich-Gauß-Straße 1

Customer

akkerstraat 10

38855 WERNIGERODE
Deutschland

Three-phase motors with squirrel cage rotor,
Housing grey cast iron

Type	IE3-W43R 200 L2 TPM HW		
Design output	(kW)	30	
Design torque	(Nm)	97	
Class IE	[-]	IE3-93,3%	
Efficiency determination		EN 60034-2-1	
Duty type		S1	
Design frequency	(Hz)	50	
Design speed	[rpm]	2950	
Voltage	(V)	400/690	
Connection	[-]	D	Y
Current	[A]	52.5	30.4
Relative pull-in current	[-]	8	
Relative starting torque	[-]	2,2	
Relative pull-up torque	[-]	1,8	
Relative pull-out torque	[-]	3,4	
Efficiency100/75/50 %	[%]		93,3 / 93,5 / 92,2
Power factor	[-]	0,88	
Th. cl.		155(F/B)	
Coolant temperature	(°C)	-20°C...+40°C	
Altitude above sea level	(m)	1000m	
Degree of protection IP		IP55	
Moment of inertia	(kgm ²)	0,128	
Motor weight	(kg)	200	
Bearing, D-side		6312 C3	
Bearing, N-side		6310 C3	
Relubrication interval	(h)		
Grease type		ASONIC GHY 72	
Grease amount	[cm ³]		
A-sound pressure level	(dB)	72	

Options

Type of mounting	IMB5
Flange	FF 350[A 400]
Terminal box	Standard
Position of terminal box	on the top
Cable gland	Sealing plug
Position of cable entry	right
Shaft	Standard, 1 shaft end
Bearing	Easy bearing arrangement
Special details to bearings	Fixed bearing, N-side
Winding protection	1 set ptc resistors
Limit values to vibration velocity	Class A
	Balancing with half key
Colour system	01 Moderate (KK C2),RAL 7031 blue-grey
Delivery conditions and/or official regulations:	IEC / EN 60034-1

This document was produced electronically, all specifications are valid only after confirmation of the manufacturer

Data sheet

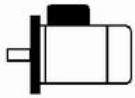
14.04.2022 MADE WITH VEM EKAT 2021



Three-phase motors with squirrel cage rotor,
Housing grey cast iron

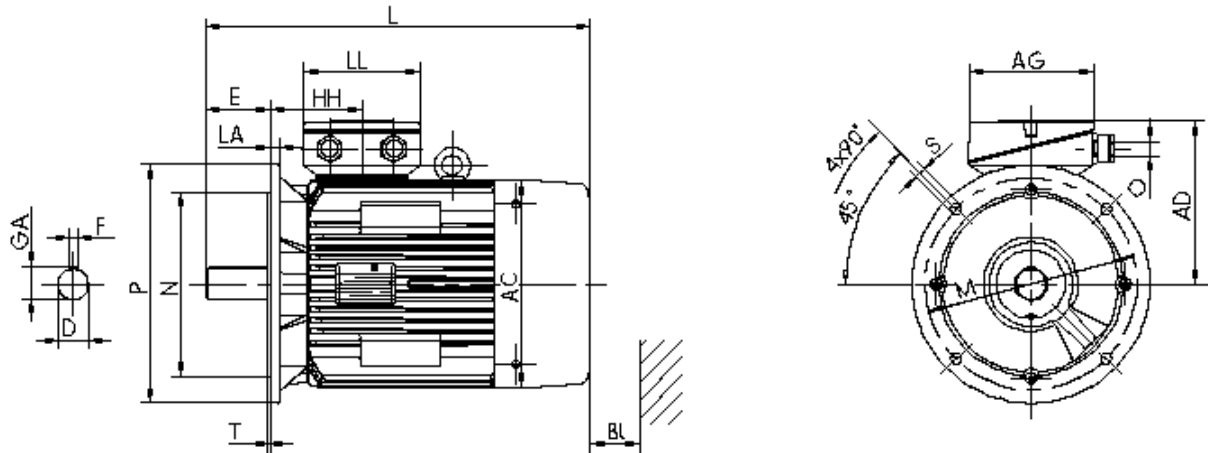
IE3-W43R 200 L2 TPM HW

Mounting position



Type of mounting: IMB5
Flange: FF 350[A 400]
Position of terminal box: on the top
Brake type:
Forced-ventilation:

Terminal box: KK 63 A
Cable gland O: 1 xSealing plug



Motor

A	AA	AB	AC	AD	B	B'	BA	BA'	BB	C	CA	K	K'	
-	-	-	351	261	-	-	-	-	-	-	-	-	-	
											Protection cover		Terminal box	
L	LC	H	HA	HD	HH	BI	L	AG	LL	BE	AH	-	-	
680	-	200	-	-	147	40	-	193	167	-	-	-	-	

Flange

P	N	LA	M	T	S	Tolerances		H	N	D	DA
400	300	15	350	5	18			-0,5	h6	m6	m6

Shaft-DS

D	E	GA	F	DB
55	110	59	16	DIN 332 DS- M20

Shaft-NS

DA	EA	GC	FA
-	-	-	-

DB...Centre hole

Delivery conditions and/or official regulations: IEC / EN 60034-1

This document was produced electronically, all specifications are valid only after confirmation of the manufacturer