



Manufacturer

**VEM motors GmbH - Werk Wernigerode**  
**Carl-Friedrich-Gauß-Straße 1**

Customer

**akkerstraat 10**

**38855 WERNIGERODE**  
**Deutschland**

**Three-phase motors with squirrel cage rotor,**  
**Housing grey cast iron**

Type	IE4-W61R 225 S4 TPM HW		
Design output	( kW )	37	
Design torque	( Nm )	238	
Class IE	[ - ]	IE4-95,2%	
Efficiency determination		EN 60034-2-1	
Duty type		S1	
Design frequency	( Hz )	50	
Design speed	[rpm]	1485	
Voltage	( V )	400/690	
Connection	[ - ]	D	Y
Current	[ A ]	69.5	40.3
Relative pull-in current	[ - ]	9,2	
Relative starting torque	[ - ]	3,6	
Relative pull-up torque	[ - ]	2,4	
Relative pull-out torque	[ - ]	3,2	
Efficiency100/75/50 %	[ % ]	95,2 / 95,3 / 94,6	
Power factor	[ - ]	0,81	
Th. cl.		155(F/B)	
Coolant temperature	( °C )	-20°C...+40°C	
Altitude above sea level	( m )	1000m	
Degree of protection IP		IP55	
Moment of inertia	( kgm <sup>2</sup> )	0,619	
Motor weight	( kg )	435	
Bearing, D-side		6314 C3	
Bearing, N-side		6313 C3	
Relubrication interval	( h )		
Grease type		ASONIC GHY 72	
Grease amount	[cm <sup>3</sup> ]		

**Options**

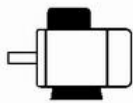
Type of mounting	IM B3
Flange	-
Terminal box	Standard
Position of terminal box	on the top
Cable gland	Sealing plug
Position of cable entry	right
Shaft	Standard, 1 shaft end
Bearing	Easy bearing arrangement
Special details to bearings	Fixed bearing, N-side
Winding protection	1 set ptc resistors
Limit values to vibration velocity	Class A
Colour system	Balancing with half key
Delivery conditions and/or official regulations:	01 Moderate (KK C2),RAL 7031 blue-grey IEC / EN 60034-1

This document was produced electronically, all specifications are valid only after confirmation of the manufacturer

Three-phase motors with squirrel cage rotor,  
Housing grey cast iron

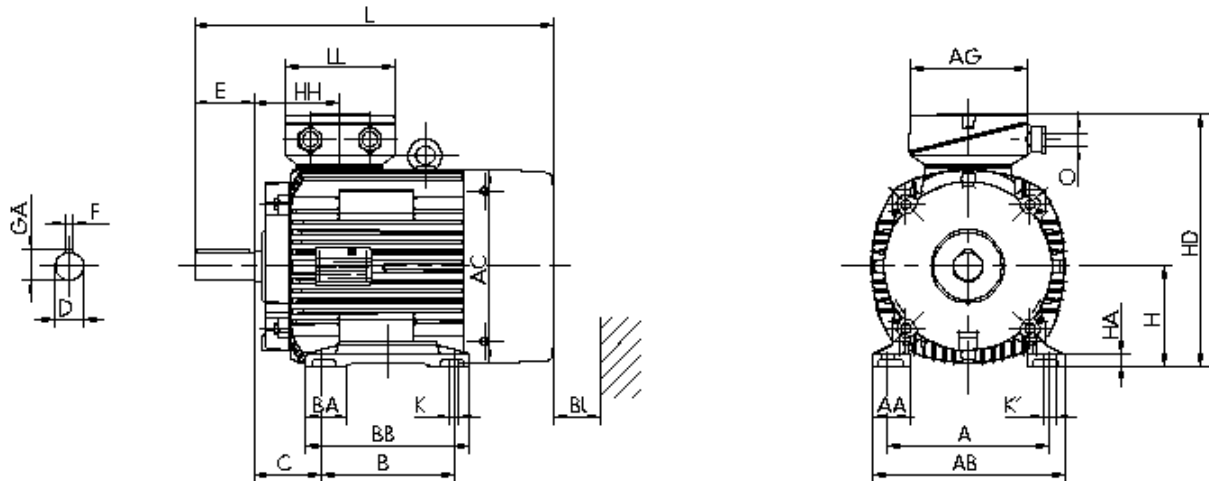
## IE4-W61R 225 S4 TPM HW

### Mounting position



Type of mounting: IM B3  
Flange: -  
Position of terminal box: on the top  
Brake type:  
Forced-ventilation:

Terminal box: KK 100 A  
Cable gland O: 1 x Sealing plug



### Motor

A	AA	AB	AC	AD	B	B'	BA	BA'	BB	C	CA	K	K'		
356	75	413	440	-	286		75	-	343	149	-	19	25		
												<b>Protection cover</b>		<b>Terminal box</b>	
L	LC	H	HA	HD	HH	BI	L		AG	LL	BE	AH			
912	-	225	25	551	177	90	-		213	207	-	-			

### Flange

P	N	LA	M	T	S
-	-	-	-	-	-

### Tolerances

H	N	D	DA
-0,5	h6	m6	m6

### Shaft-DS

D	E	GA	F	DB
60	140	64	18	DIN 332 DS- M20

### Shaft-NS

DA	EA	GC	FA
-	-	-	-

### DB...Centre hole

Delivery conditions and/or official regulations: IEC / EN 60034-1

This document was produced electronically, all specifications are valid only after confirmation of the manufacturer