

N° :

Date : 21 août 2022

Induction motor

4P LSES 71M 0.37kW IFT/IE2 B3 230D/380Y/400Y/415Y-460Y 50-60Hz -

Utilisation : Environment Common ; Ambiance Non corrosive ; Finition - ; Zone Non specific ; General applications ; Ambient temperature -16 +40 °C ; Maximum altitude 1000 m.

Motor characteristics : Aluminium alloy housing ; Aluminium alloy DE endshield ; Aluminium alloy NDE endshield.



Motor definition

Protection type	-	Application	General applications
Generation code	IFT	Main voltage (V)	400
Efficiency class	IE2	Connection	DY
Number of network phases	3	Motor winding (V)	230D/380Y/400Y/415Y-460Y
Number of speed	-	Rated Frequency (Hz)	50-60
Polarity	4P	Operation position	IM1001(IMB3)
Motor series	LSES	Index of protection	IP55
Frame size (mm)	71	Index of cooling	IC411
Length code	M	Insulation class	F
HS rated power (kW)	0.370	Finish	-
	-	Moment of inertia J (kg.m2)	0.0008500
Synchron speed (min-1)	1500	Motor weight (kg)	7.3
Maximum mechanical speed (min-1)	-	Ambient temperature range (°C)	-16 +40
		Regulation label	-

Common definitions

Paint shade	RAL6000
Paint system	C3L (1 x acrylic polyurethane finish (50µm +/- 20%))

Motor mechanical interface

Mounting flange	-	Shaft material type	Steel shaft
Drive end shaft type	IEC STANDARD shaft end	Nuance of shaft material	-
Diameter DE shaft (mm)	14j6	Second shaft extension	-
Length DE shaft (mm)	30	Diameter NDE shaft (mm)	-
DE bearing mounting	Located	Second shaft end length (mm)	-
DE bearing type	DE ball bearing	NDE bearing type	NDE ball bearing
DE bearing	6202	NDE bearing	6201
Greasing type	Greased for life		

Motor electrical interface

Connection network type	Terminal box	Cable type	-
Connection network material	Composite materials	Cable gland material	Cable gland not supplied, holes tapped with polyamide plugs
Connection network position	A	Main cable gland type	1xM16 ; With plugs
Connection network orientation	up	Principal cable gland position	Right (1)
Connection network relative position	0		

N° :

Date : 21 août 2022

Induction motor - 4P LSES 71M 0.37kW IFT/IE2 B3 230D/380Y/400Y/415Y-460Y 50-60Hz -

Motor options

Vibration level	A	Cover	Plastic cover
Balancing type	Half-key (H)	Drip proof cover option	-
Impregnation type	< 95% ; (T)	cooling type	-
Winding thermal protection	-	Forced ventilation characteristics	-
Space heater	-	Encoder type	-
Draining plugs position	6H	Encoder characteristic	-
Nameplate material	Aluminium nameplate	Screw material	Steel screw
End-shield thermal protection	-	Adaptation for vibration sensor	-
Reinforced insulation system	-		

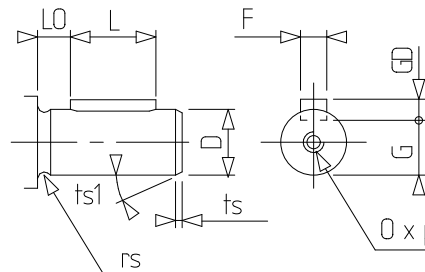
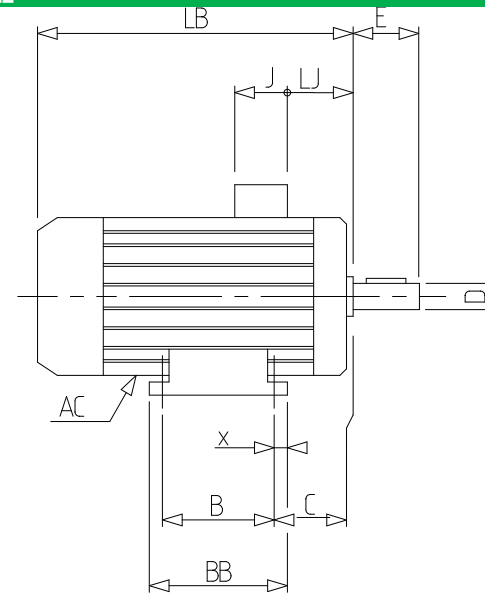
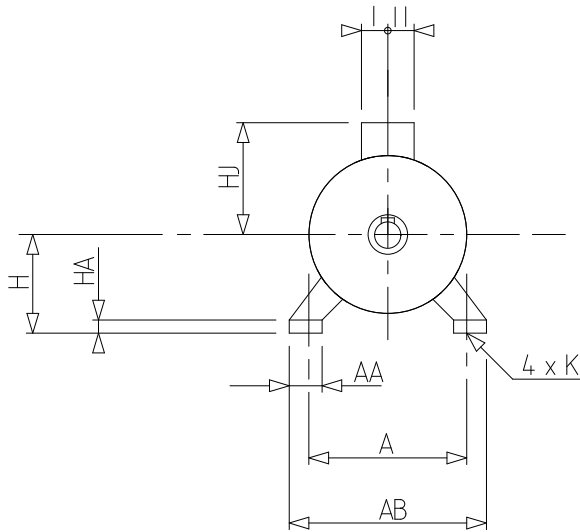
Motor characteristics (on mains supply)

Main voltage (V)	Nominal frequency (Hz)	Rated speed (min-1)	Pn (kW)	Mn (N.m)	In (A)	I0 (A)	Mmax (N.m)	Maximum current (A)	Md (N.m)	Id (A)	Cos Phi à 4/4	Cos Phi à 3/4	Cos Phi à 2/4	η 4/4 (%)	η 3/4 (%)	η 2/4 (%)	LpA (dB(A))
230	50	1410	0.37	2.5	1.8	1.25	6.5		5.2	4.8	0.7	0.6	0.5	73	72	69	
380	50	1400	0.37	2.5	1.1	0.64	5.9		4.7	4.6	0.75	0.65	0.5	73	73	71	
400	50	1410	0.37	2.5	1.1	0.72	6.5		5.2	4.8	0.7	0.6	0.5	73	72	69	
415	50	1420	0.37	2.5	1.1	0.77	7.0		5.6	5	0.65	0.55	0.45	73	71	67	
460	60	1730	0.37	2.1	0.9	0.65	6.0		4.8	4.9	0.65	0.55	0.45	75	74	69	

N° :

Date : 21 août 2022

Induction motor - 4P LSES 71M 0.37kW IFT/IE2 B3 230D/380Y/400Y/415Y-460Y 50-60Hz -



A	112
AA	23
AB	126
AC	140.00
B	90
BB	104
C	45.0
D	14j6
E	30
F	5
G	11
GD	5
H	71
HA	9
HJ	100.0
I	40
II	40
J	80
K	7
L	25
LB	186.0
LJ	27.0
LO	4
O	M5
p	15
x	7.5