



Manufacturer

Customer

VEM motors GmbH - Werk Wernigerode
Carl-Friedrich-Gauß-Straße 1

38855 WERNIGERODE
Deutschland

Three-phase motors with squirrel cage rotor,
Housing grey cast iron

Type	IE4-W61R 180 M2 TPM IL HW		
Design output	(kW)	22	
Design torque	(Nm)	71	
Class IE	[-]	IE4-94%	
Efficiency determination	EN 60034-2-1		
Duty type		S1	
Design frequency	(Hz)	50	
Design speed	[rpm]	2965	
Voltage	(V)	400/690	
Connection	[-]	D	Y
Current	[A]	38.0	22.0
Relative pull-in current	[-]	9,1	
Relative starting torque	[-]	2,4	
Relative pull-up torque	[-]	2	
Relative pull-out torque	[-]	3,8	
Efficiency100/75/50 %	[%]		94 / 94,1 / 93,3
Power factor	[-]	0,89	
Th. cl.		155(F/B)	
Coolant temperature	(°C)	-20°C...+40°C	
Altitude above sea level	(m)	1000m	
Degree of protection IP		IP55	
Moment of inertia	(kgm ²)	0,128	
Motor weight	(kg)	201	
Bearing, D-side		6310 C3	
Bearing, N-side		6310 MC3 VL0241	
Relubrication interval	(h)		
Grease type		ASONIC GHY 72	
Grease amount	[cm ³]		

Options

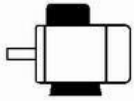
Type of mounting	IM B3
Flange	-
Terminal box	Standard
Position of terminal box	on the top
Cable gland	Sealing plug
Position of cable entry	right
Shaft	Standard, 1 shaft end
Bearing	Easy bearing arrangement
Special details to bearings	Fixed bearing, N-side Insulated bearing, N-side
Winding protection	1 set ptc resistors
Limit values to vibration velocity	Class A
Colour system	Balancing with half key 01 Moderate (KK C2),RAL 7031 blue-grey
Delivery conditions and/or official regulations:	IEC / EN 60034-1

This document was produced electronically, all specifications are valid only after confirmation of the manufacturer

Three-phase motors with squirrel cage rotor,
Housing grey cast iron

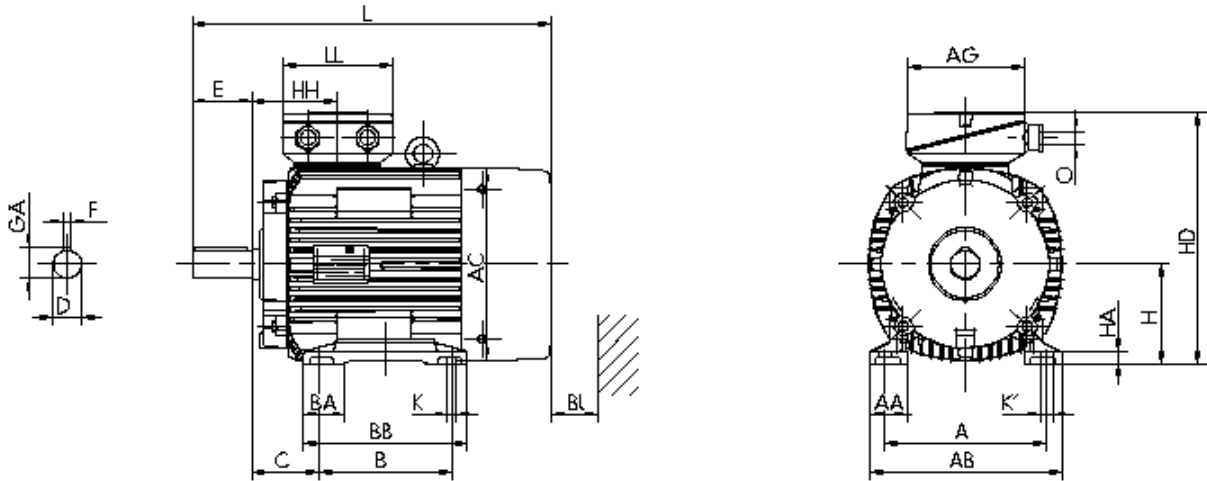
IE4-W61R 180 M2 TPM IL HW

Mounting position



Type of mounting: IM B3
Flange: -
Position of terminal box: on the top
Brake type:
Forced-ventilation:

Terminal box: KK 63 A
Cable gland O: 1 x Sealing plug



Motor													
A	AA	AB	AC	AD	B	B'	BA	BA'	BB	C	CA	K	K'
279	62	328	351	-	241		65	-	288	121	-	15	20
Protection cover												Terminal box	
L	LC	H	HA	HD	HH	BI	L	AG	LL	BE	AH		
680	-	180	20	441	147	40	-	193	167	-	-		
Flange													
P	N	LA	M	T	S	Tolerances							
-	-	-	-	-	-	H	N	D	DA				
						-0,5	h6	k6	k6				
Shaft-DS					Shaft-NS								
D	E	GA	F	DB	DA	EA	GC	FA					
48	110	51,5	14	DIN 332 DS- M16	-	-	-	-					

DB...Centre hole

Delivery conditions and/or official regulations: IEC / EN 60034-1

This document was produced electronically, all specifications are valid only after confirmation of the manufacturer