



N° :

Date : 12 févr. 2018

### Induction motor

2P LSES 132S 5,5kW IFT/IE3 B3 380D/400D/415D/690Y-460D 50-60Hz -

**Utilisation :** Environment Current ; Ambiance Non corrosive ; Finition - ; Zone Non specific ; General applications ; Ambient temperature -16 +40 °C ; Maximum altitude 1000 m.

**Motor characteristics :** Aluminium alloy housing ; Cast iron DE endshield ; Cast iron NDE endshield.



### Motor definition

Motor definition		Application	General applications
Protection type	-	Main voltage (V)	400
Generation code	IFT	Connection	DY
Efficiency class	IE3	Motor winding (V)	380D/400D/415D/690Y-460D
Number of network phases	3	Rated Frequency (Hz)	50-60
Number of speed		Operation position	IM1001(IMB3)
Polarity	2P	Index of protection	IP55
Motor serie	LSES	Index of cooling	IC411
Frame size (mm)	132	Insulation class	F
Length code	S	Finish	-
HS rated power (kW)	5.500	Moment of inertia J (kg.m <sup>2</sup> )	0.0111600
LS rated power (kW)	-	Motor weight (kg)	39.2
Rated speed (min-1)	2925		
Maximum mechanical speed (min-1)	6700		

### Common definitions

Paint shade	RAL6000
Paint system	C3_la (1 polyurethane coat 20/30 microns)

### Motor mechanical interface

Mounting flange	-	Shaft material type	Steel shaft
Drive end shaft type	IEC STANDARD shaft end	Nuance of shaft material	-
Diameter DE shaft (mm)	38k6	Second shaft extension	-
Length DE shaft (mm)	80	Diameter NDE shaft (mm)	-
DE bearing mounting	Located	Second shaft end length (mm)	-
DE bearing type	DE ball bearing	NDE bearing type	NDE ball bearing
DE bearing	6208	NDE bearing	6206
Code Type de graissage	Vie		

### Motor electrical interface

Connection network type	Terminal box	Cable type	-
Connection network material	Aluminium alloy	Cable gland material	Cable gland not supplied, holes tapped with polyamide plugs
Connection network position	A	Main cable gland type	2xM25 ; With plugs
Connection network orientation	up	Principal cable gland position	Right (1)
Connection network relative position	0		

N° :

Date : 12 févr. 2018

**Induction motor - 2P LSES 132S 5,5kW IFT/IE3 B3 380D/400D/415D/690Y-460D 50-60Hz -**

**Motor options**

Vibration level	A (25µm ; 1.6mm/s ; 2.5m/s <sup>2</sup> )	Cover	Metal cover
Balancing type	Half-key (H)	Drip proof cover option	-
Impregnation type	< 95% ; -16+40°C (T)	cooling type	-
Winding thermal protection	-	Forced ventilation characteristics	-
Space heater	-	Encoder type	-
Draining plugs position	6H	Encoder characteristics	-
Nameplate material	Aluminium nameplate	Screw material	Steel screw
Endshield thermal protection	-	Adaptation for vibration sensor	-
Reinforced winding insulation	-		

**Motor characteristics (on mains supply)**

Main voltage (V)	Rated Frequency (Hz)	HS rated power (kW)	Rated torque (N.m)	Rated speed (min-1)	Rated current (A)	Power factor at 4/4 of the load	Power factor at 3/4 of the load	Power factor at 2/4 of the load	Efficiency at 4/4 (IEC 60 034-2-1) of the load (%)	Efficiency at 3/4 (IEC 60 034-2-1) of the load (%)	Efficiency at 2/4 (IEC 60 034-2-1) of the load (%)
380	50	5.500	18	2910.00	10.60	0.88			89.20		
400	50	5.500	18	2925	10.3	0.87	0.83	0.74	89.60	90.72	90.71
415	50	5.500	18	2930.00	10.00	0.85			89.90		
460	60	-	-	3540.00	8.90	0.86			90.70		

**Motor characteristics (on mains supply) 400 V 50 Hz**

Starting torque (N.m)	41.4	Id / In	7.4
Average starting torque (N.m)		Id	76.22
Maximum torque (N.m)	54,9	Maximum current (A)	
Unload maximum starting frequency (d/h)	-	No-load current (A)	0.00
Rotor locked time (cold) (s)		Acoustic pressure level (dB(A))	63

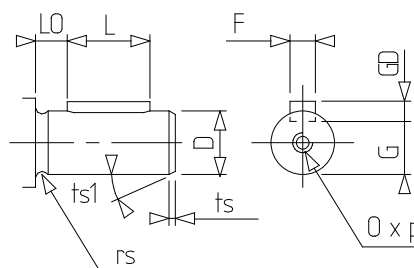
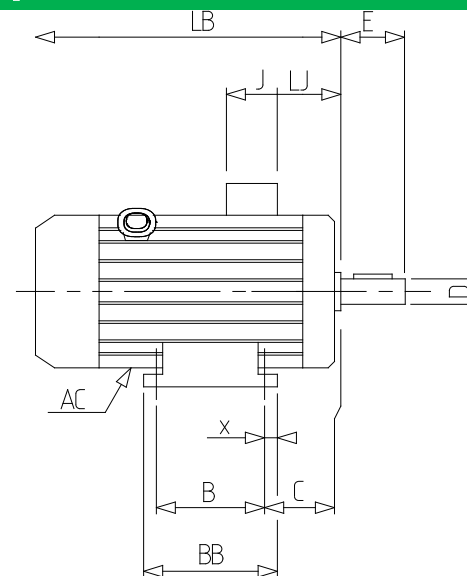
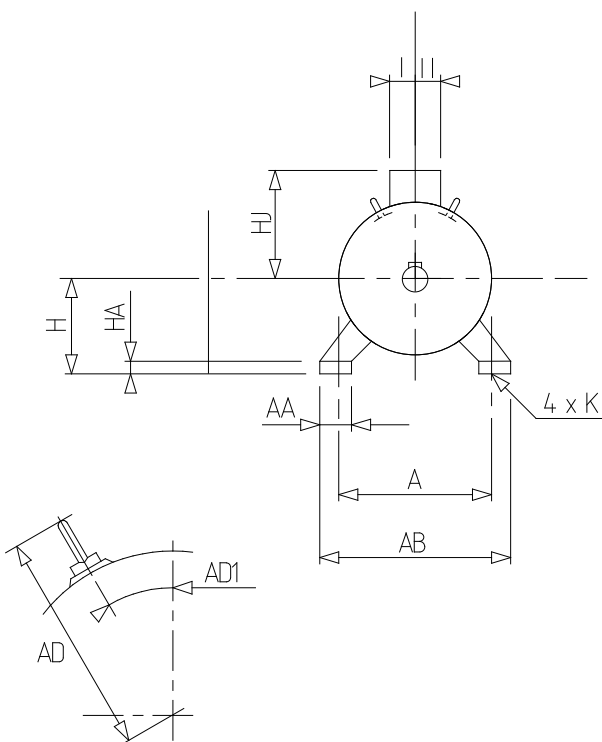
**Motor characteristics (supplied via drives)**

Main voltage (V)	Nominal frequency (Hz)	Pn (kW)	Nn (min-1)	In (A)	Cos Phi	Mn @ f/10 (N.m)	Mn @ f/5 (N.m)	Mn @ f/3 (N.m)	Mn @ f/2 (N.m)	Mn (N.m)	Mn @ fx1.7 (N.m)	Mn @ fx2 (N.m)
400 D	50	5.5	2925	10.9	0.87	0.00	15.30	18.00	18.00	18.000	10.34	0.00

N° :

Date : 12 févr. 2018

Induction motor - 2P LSES 132S 5,5kW IFT/IE3 B3 380D/400D/415D/690Y-460D 50-60Hz -



A	216
AA	42
AB	250
AC	227.00
AD1	45
B	140
BB	170
C	89.0
D	38k6
E	80
F	10
G	33
GD	8
H	132
HA	16
HJ	172.0
I	63
II	63
J	126
K	12
L	63
LB	351.0
LJ	32.0
LO	10
O	M12
p	28
rs	0.5
ts	2
ts1	20
x	15