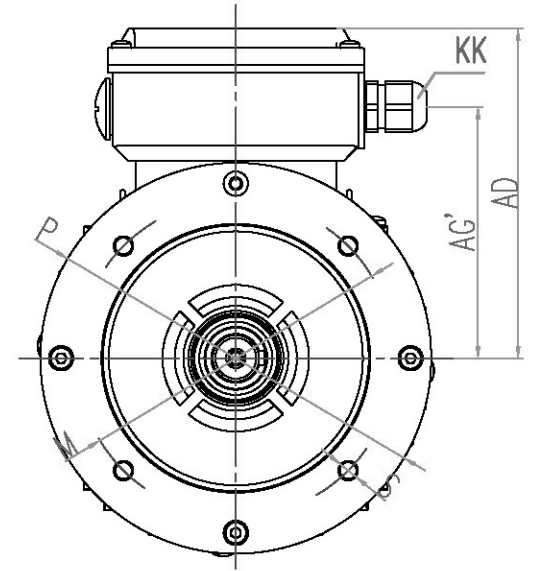
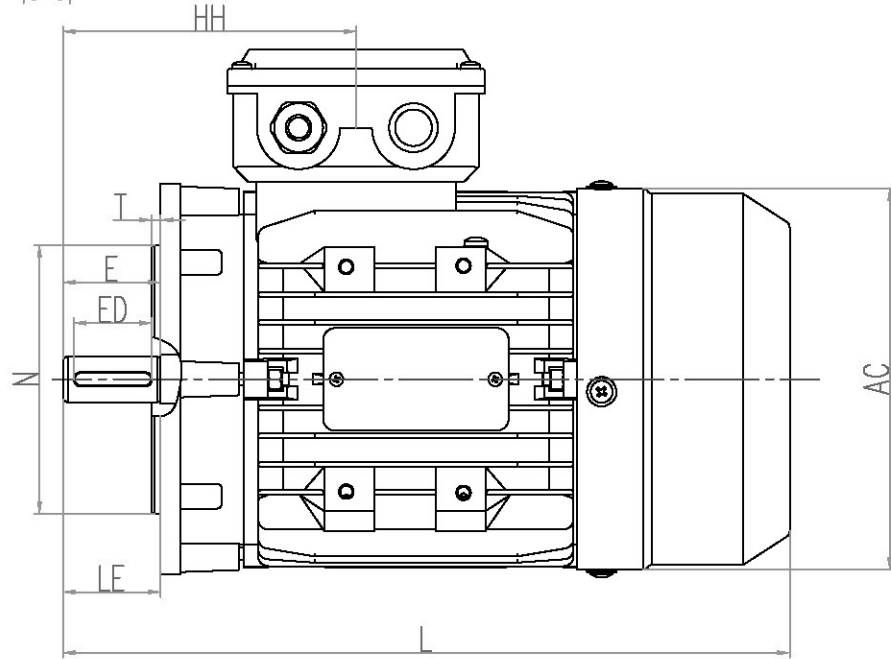
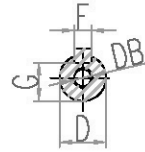


FRAME	KW
MS80 1-2	0.75
MS80 2-2	1.1
MS80 3-2	1.5
MS80 1-4	0.55
MS80 2-4	0.75
MS80 3-4	1.1
MS80 1-6	0.37
MS80 2-6	0.55
MS80 3-6	0.75
MS80 1-8	0.18
MS80 2-8	0.25
MS80 3-8	0.37



CLIENT:

FRAME	80	KW	RPM
VOLTS			

EMS80 1-2	0.75
EMS80 2-2	1.1
EMS80 3-2	1.5
EMS80 1-4	0.55
EMS80 2-4	0.75
EMS80 3-4	1.1

OUTLINE DIMENSIONS FLANGE MOUNTED MOTORS

SHAFT EXT.DE ONLY

AC	AD	AG'	KK	L	HH	LE			M	N	P	S	T				D	DB	E	ED	F	G							
φ165	137	103	1-M20×1.5	295	120.5	40			φ110	φ80	φ120	4-M6	3.5				φ19	M6×16	40	32	6	15.5							

CUSTOMER APPROVAL _____
SIGNATURE DATE

80 B14B
DIMENSION OUTLINE



DATE		CHECKED BY
DESIGNED BY		APPROVED BY
ISSUE	DATE	CERTIFIED BY
ISSUE	DATE	CERTIFIED BY
ISSUE	DATE	CERTIFIED BY
ISSUE	DATE	CERTIFIED BY