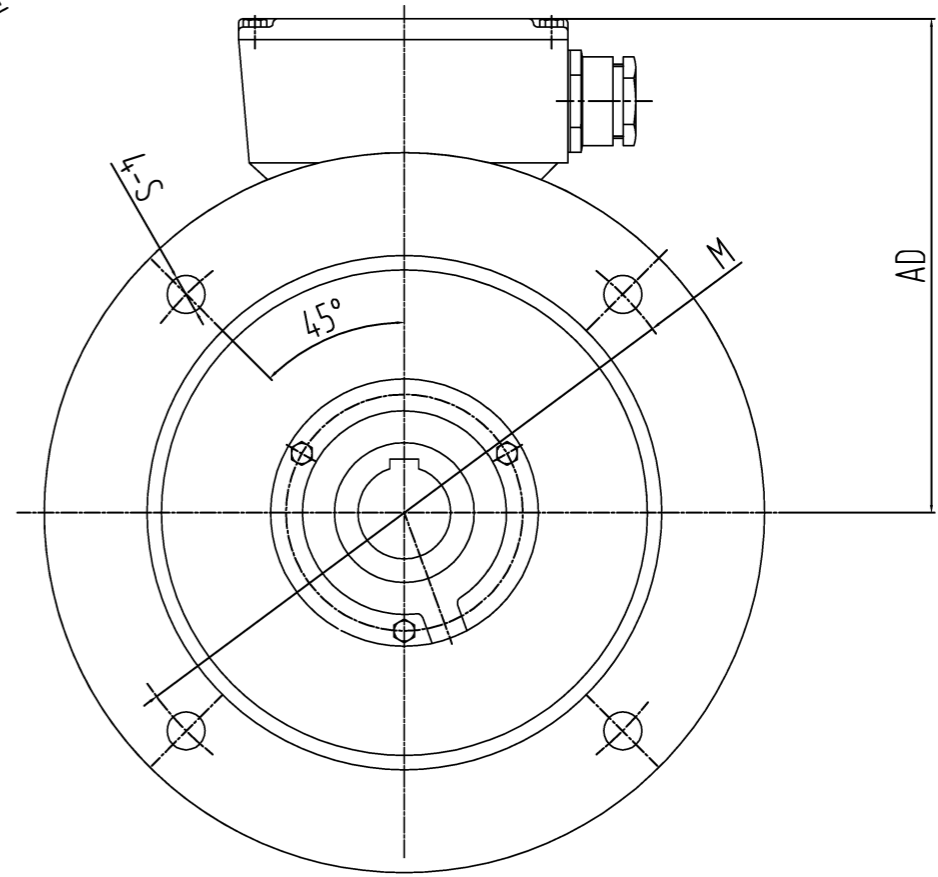
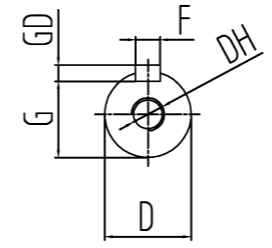
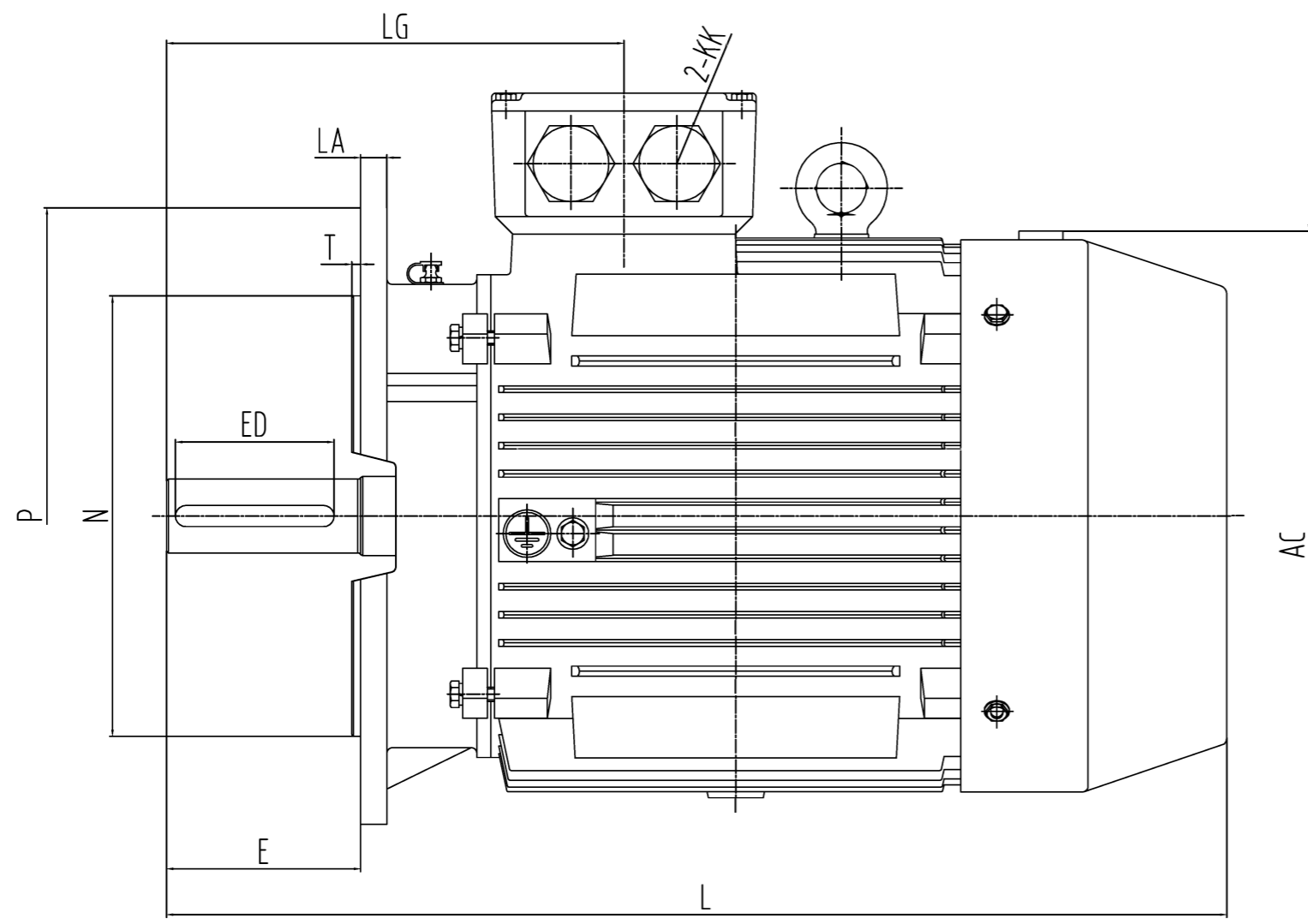


OUTLINE DIMENSIONS FOOT MOUNTED MOTORS

A	254
AA	65
AB	320
AC	330
HD	425
B	210
BB	325
C	108
D	φ42
E	110
ED	90
F	12
G	37
GD	8
DH	M16X36
H	160
HA	19
K	φ14.5
KK	M40X1.5
L	665
LG	268

CUSTOMER APPROVAL _____
SIGNATURE _____ DATE _____

YEE3-160M- DIMENSION OUTLINE		DATE	CHK
		DRAWN	APPD
YEE3-160M- DIMENSION OUTLINE		ISSUE A DATE	CERTIFIED BY
		ISSUE B DATE	CERTIFIED BY
		ISSUE C DATE	CERTIFIED BY
		ISSUE D DATE	CERTIFIED BY

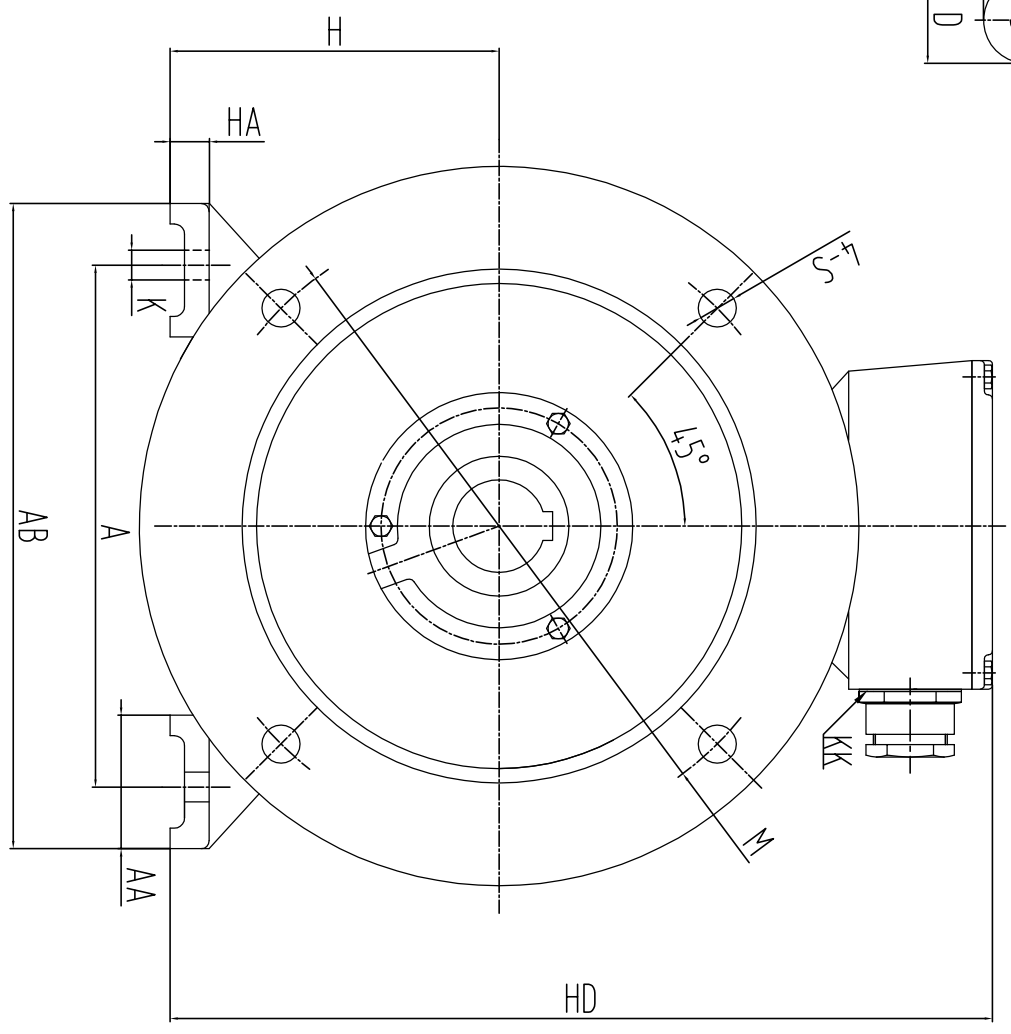
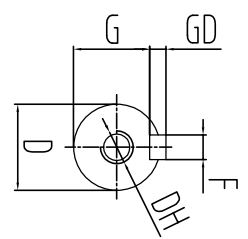
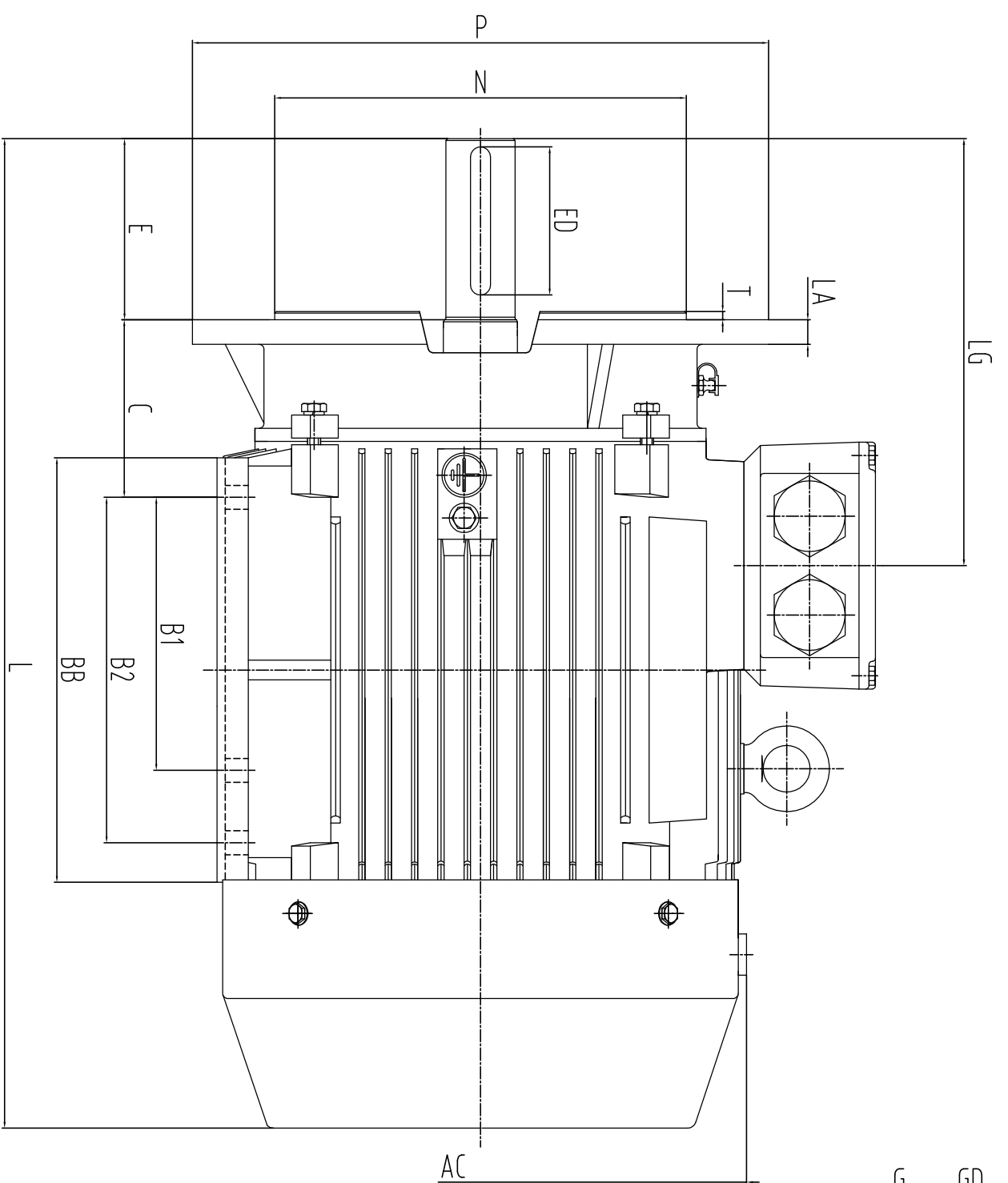


OUTLINE DIMENSION

AC	AD	D	E	ED	F	G	GD	KK	L	LG	LA	M	N	P	S	T	DH
330	265	42	110	90	12	37	8	M4.0X1.5	665(160M) 665(160L)	268	15	300	250	350	18.5	5	M16X36

CUSTOER _____
 SIGNATURE _____
 DATE _____

YE3-160_B5 DIMENSION OUTLINE	DATE		CHK
	DRAWN		APPD
	ISSUE A	DATE	CERTIFIED BY
	ISSUE B	DATE	CERTIFIED BY
	ISSUE C	DATE	CERTIFIED BY
	ISSUE D	DATE	CERTIFIED BY



OUTLINE DIMENSION

A	254	AA	65	AB	320	AC	330	HD	425	B1	210	B2	254	BB	325	C	108	D	42	E	110	ED	90	F	12	G	37	GD	8	H	160	HA	19	K	14.5	KK	M40X1.5	L	655	LG	268	LA	15	M	300	N	250	P	350	S	18.5	T	5	DH	M16X36
---	-----	----	----	----	-----	----	-----	----	-----	----	-----	----	-----	----	-----	---	-----	---	----	---	-----	----	----	---	----	---	----	----	---	---	-----	----	----	---	------	----	---------	---	-----	----	-----	----	----	---	-----	---	-----	---	-----	---	------	---	---	----	--------

CUSTOMER _____

SIGNATURE _____

DATE _____

YE3-160(B35)		DATE	CHK
DIMENSION OUTLINE		DRAWN	APPD
ISSUE A	DATE	CERTIFIED BY	
ISSUE B	DATE	CERTIFIED BY	
ISSUE C	DATE	CERTIFIED BY	
ISSUE D	DATE	CERTIFIED BY	